

Code: 82090900000

Description:BSM2V 2 META-2

Pump data:

H max (m): 48.10

H min (m): 15.90

Q min (mc/h): 2.00

Q max (mc/h): 7.00

Impeller diameter (mm): 79.00

N. of impellers: 2

PF:0.99

Weight (kg): 9,90

Motor data:

n (rpm): 5800

Pn (kW): 1.00

Pn (HP): 1.34

Motor type: IM

Motor phases: 1~

Un (V): 230

fn (Hz): 50

Motor poles: 2

In (A): 4.4

Insulation class: F

Service: S1

Ingress protection: IP X4

Construction materials:

Pump Casing: Cr-Ni steel 1.4301 EN 10088 (AISI 304)

Casing Cover: Cr-Ni steel 1.4301 EN 10088 (AISI 304)

Suction Casing: Noryl PPO-GF20

Stage Casing:: Cr-Ni steel 1.4301 EN 10088 (AISI 304)

Impeller:: Cr-Ni steel 1.4301 EN 10088 (AISI 304)

Shaft: Cr-Ni steel 1.4305 EN 10088 (AISI 303)

Mechanical Seal: Carbon-Ceramic-NBR

BOOSTER SET CONSTRUCTION MATERIAL

Baseplate: Zinc-plated Steel S235JR

Anti-Vibration Feet: Rubber NBR (nitrile butadiene rubber)

Manifolds: Cr-Ni steel 1.4301 EN 10088 (AISI 304)

Gaskets: Rubber NBR (nitrile butadiene rubber)

Pressure Gauge: Brass

Fittings: Zinc-Plated Steel
Brass

Pressure Transducer: Cr-Ni-Mo steel 1.4401 EN 10088 (AISI 316)

Shut-off Valves: Nickel-plated Brass
PTFE (Polytetrafluoroethylene)

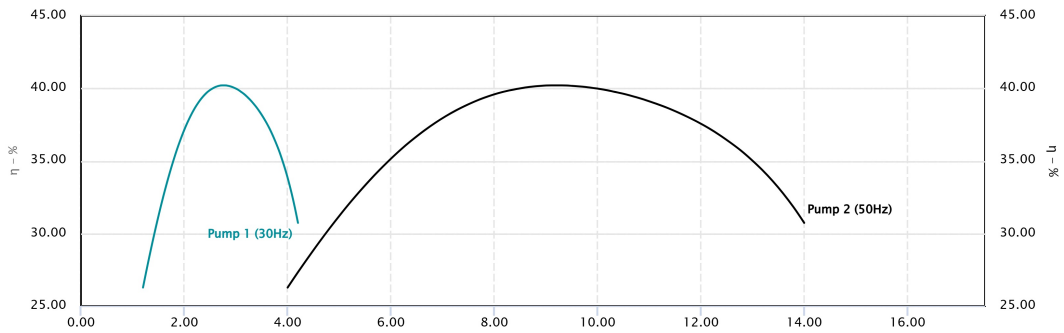
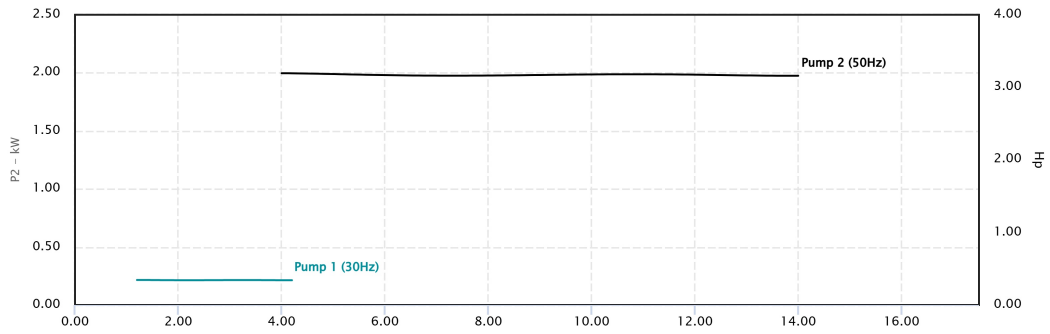
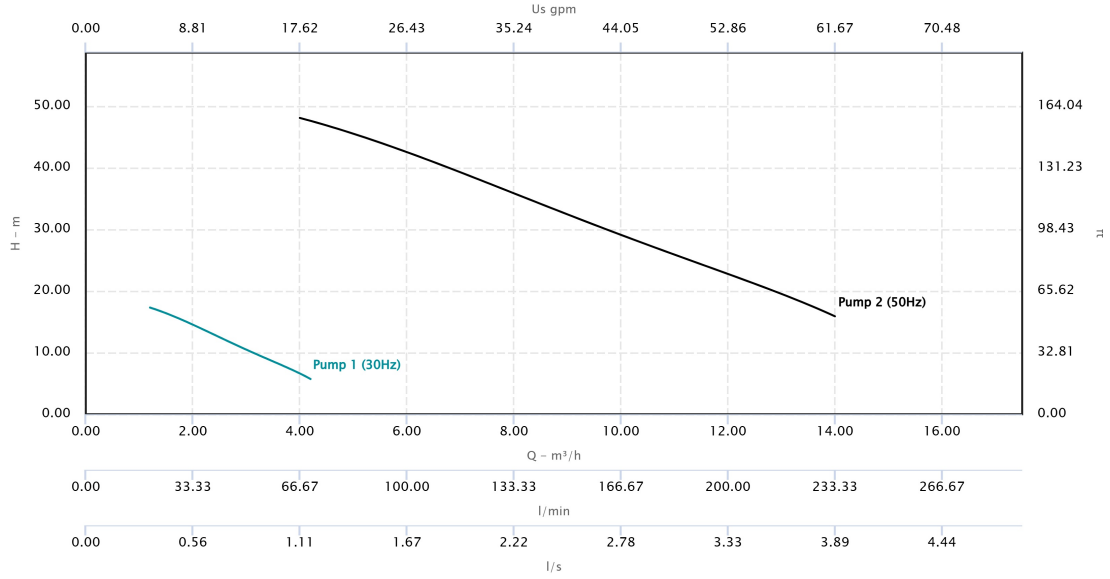
Non-Return Valves: Rubber NBR (nitrile butadiene rubber)

Brass
PTFE (Polytetrafluoroethylene)

Booster set data

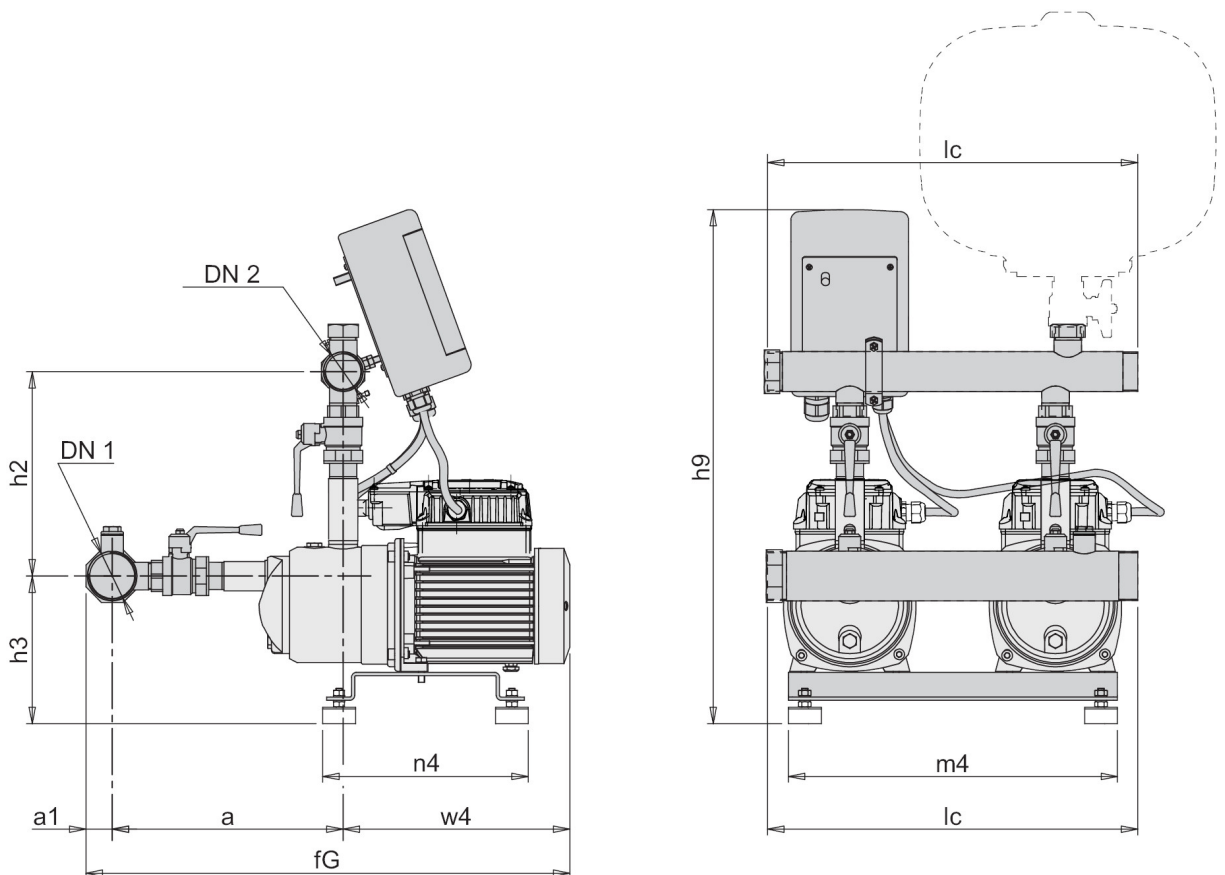
Number of pumps: 2

Fixed speed / variable speed: Variabile



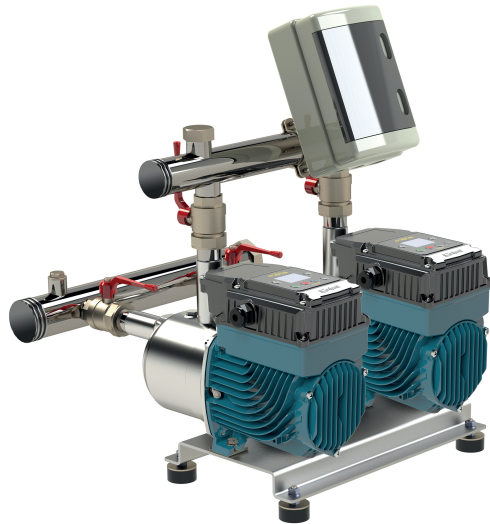
Dimensions (mm)

- a:** 291.00 mm
- a1:** 32.00 mm
- fG:** 554.00 mm
- h2:** 254.00 mm
- h3:** 152.00 mm
- h9:** 599.00 mm
- lc:** 450.00 mm
- m4:** 400.00 mm
- n4:** 240.00 mm
- w4:** 232.00 mm
- dn1:** G 2
- dn2:** G 1 1/2



MÈTA, MÈTA SMALL

Variable speed pressure boosting system with integrated control

**CONSTRUCTION**

Self-priming booster set with built in frequency converter.

MÈTA is a plug and play solution, the pump is equipped with an integrated pressure transducer, an integrated check valve and a built-in pressure vessel.

The Vsd controls the start and stop of the pump and allows to keep a constant pressure.

Boosting sets with 2 pumps

Suction and delivery manifolds in stainless steel AISI 304.

Connections for the installation of one G 1" connection pressure vessel.

APPLICATION

For water supply systems.

For domestic use, for garden use and irrigation.

OPERATING CONDITIONS

Liquid temperature: 0 °C to +35 °C.

Ambient temperature up to 40° C.

Maximum permissible pressure in the pump casing: 8 bar.

Continuous duty.