

50 Hz



e-NSC Series

HORIZONTAL CENTRIFUGAL ELECTRIC PUMPS
EQUIPPED WITH **IE3** MOTORS

ErP 2009/125/EC

Xylect™

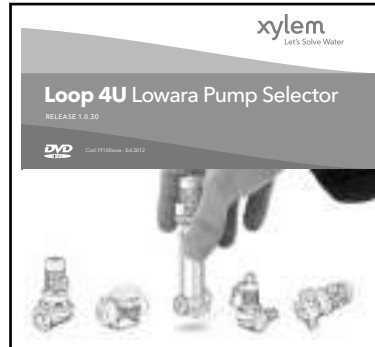
Xylect™ is a pump solution software with an extensive online database of product information across the entire range of pumps and related products, with multiple search options and helpful project management facilities. The system holds up-to-date product information on thousands of products and accessories.

Xylect™ can be available:

On the website – www.xylect.com



On DVD – Loop 4U



On Mobile Apps



For more information, please, see page 187-188.

Ecodesign Directive (ErP)

Over last decade the European Commission with the 'Energy Efficiency Plan' pushed the European Parliament and the Council to adopt specific measures to the purpose of reducing energy consumption and further negative environmental impacts.

Through the **Directives 2005/32/EC**, energy-using products (EuP), and 2009/125/EC, energy-related products (ErP) a framework for **ecodesign** requirements was established.

The Commission Regulations (EC) No 640/2009 and (EU) No 4/2014 have implemented two directives with regard to ecodesign requirements for **three-phase 50 Hz electric motors** placed on the market and put into service inside EU zone as self-alone units or integrated in other products.

This regulation states that motors must have **efficiency level IE3** (or IE2 + Variable Speed Drive) from **1 January 2015 for 7,5 to 375 kW** rated powers and from **1 January 2017 for 0,75 to 375 kW** ones.

The Commission Regulation (EU) No 547/2012 has implemented two directives with regard to ecodesign requirements for some types of **clean water pumps** placed on the market and put into service inside EU zone as self-alone units or integrated in other products.

This regulation states that water pumps shall have **index MEI 0.4** as minimum from **1 January 2015**. That index comes from a dedicated formula which considers hydraulic efficiency values at 'best efficiency point' (BEP), 75 % of the flow at BEP (Part load – PL) and 110 % of the flow at BEP (Over load – OL).

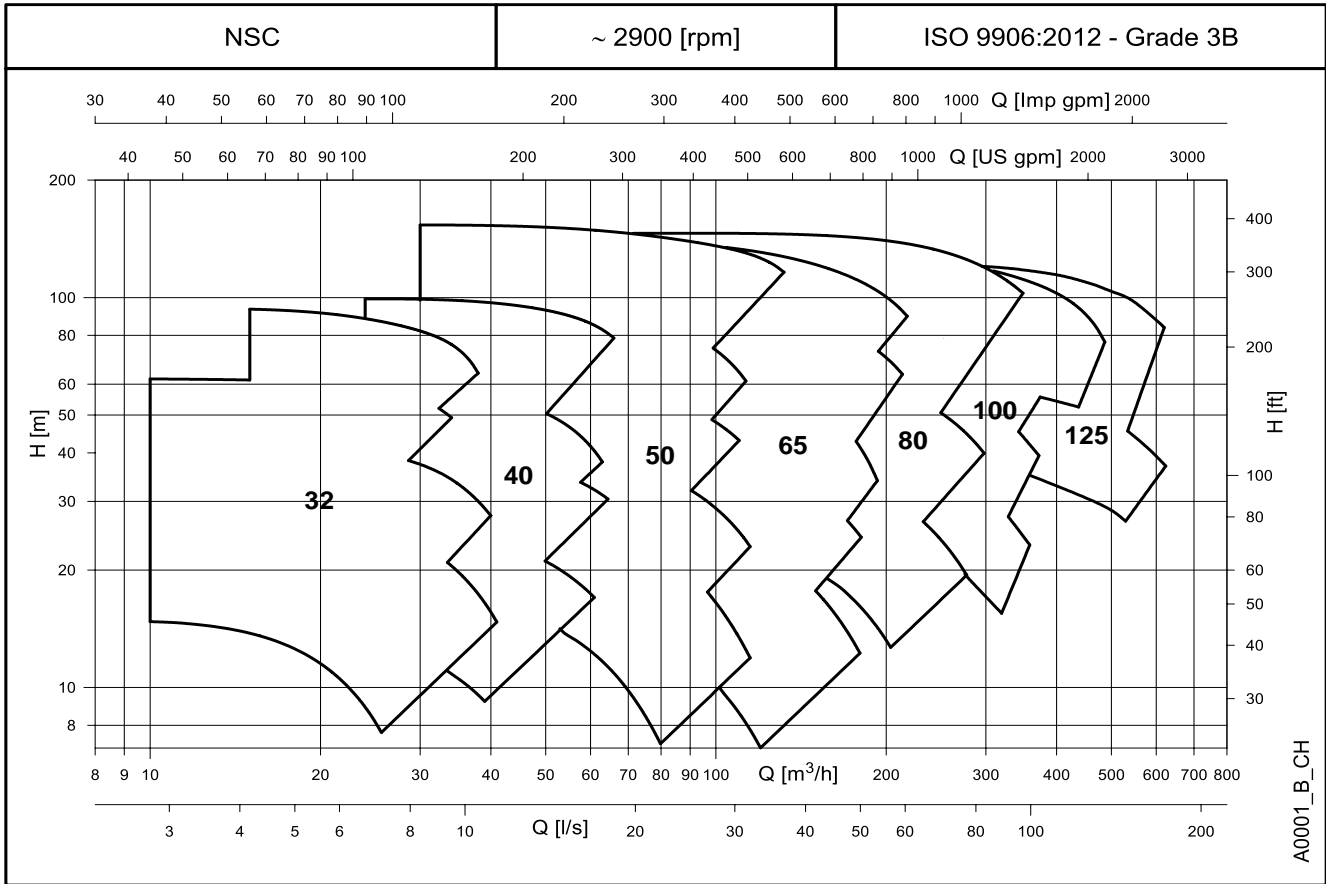
The Lowara e-NSC series, for the models in the scope of the regulations above, is ErP compliant, having an index MEI equal or higher than 0,4 and IE3 motor efficiency.

CONTENTS

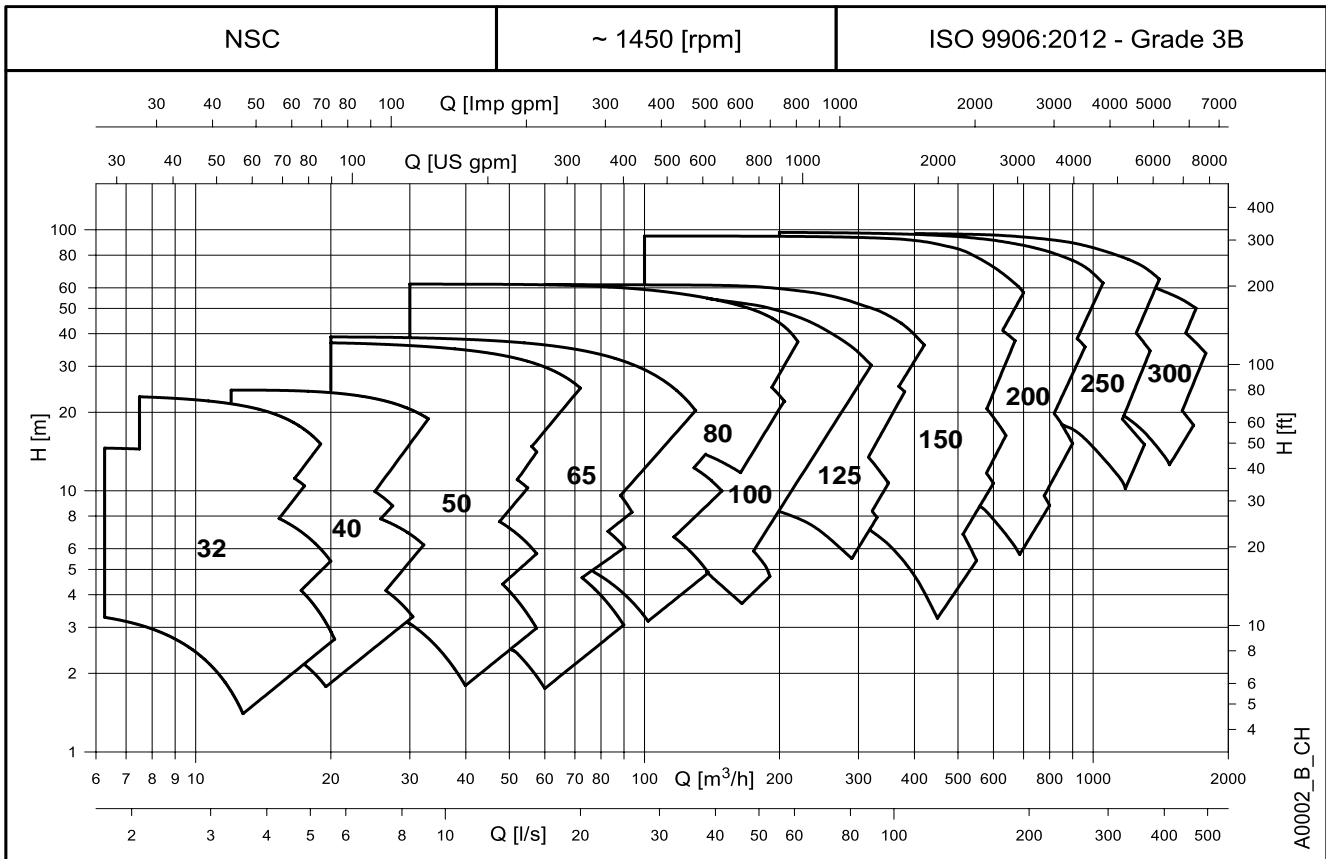
General Introduction	5
Applications	6
Identification code	8
Rating plate	9
List of Models at 50 Hz, 2 poles	10
List of Models at 50 Hz, 4 poles	12
Pump cross-section and main components	14
Mechanical seals	21
Motors (ErP 2009/125/EC)	22
Pumps (ErP 2009/125/EC)	34
Minimum efficiency index (MEI)	35
Hydraulic performance range at 50 Hz, 2 poles	36
Table of hydraulic performances at 50 Hz, 2 poles	37
Hydraulic performance range at 50 Hz, 4 poles	40
Table of hydraulic performances at 50 Hz, 4 poles	41
Operating characteristics at 50 Hz, 2 poles	45
Operating characteristics at 50 Hz, 4 poles	74
Dimensions and weights	123
NSC..H (e-NSC with HYDROVAR)	169
Accessories	172
Report and declarations	178
Technical appendix	181

e-NSC SERIES

HYDRAULIC PERFORMANCE RANGE AT 50 Hz, 2 POLES



HYDRAULIC PERFORMANCE RANGE AT 50 Hz, 4 POLES



e-NSC SERIES

GENERAL INTRODUCTION

The new **Lowara e-NSC Series** is the result of the close collaboration between our customers and us; the new range has been redesigned and improved to meet the Commercial Building Services (CBS) requirements, in terms of performances and energy saving.

In addition the new **Lowara e-NSC Series** can be customized to meet the needs of the Industry segment, keeping the quality in the production and the continuous reliability and robustness in the operation.

Pump design

The new **Lowara e-NSC Series** is a centrifugal end-suction electro-pump with single stage, axial flanged suction port, radial flanged discharge and horizontal shaft. The **e-NSC** pumps have cast iron casing and impeller as standard but are also available in a wide range of materials, from bronze to duplex stainless steel, to allow for various pumping needs.

The pumps are equipped with interchangeable mechanical seals, IE3 efficiency motors, and are designed with a back pull-out configuration (impeller, adapter, and motor can be extracted without disconnecting the pump body from the piping system).

The **e-NSC** series pumps are available in the following constructions:

Extended shaft

Close-coupled by means of an adaptor bracket with an impeller keyed directly to the special motor shaft extension.



Stub shaft

Rigid-coupled with a bracket, an adaptor and a rigid coupling keyed to the standard motor shaft extension.



Frame mounted

Flexible-coupled with bracket, support, flexing coupling (special version with spacer on demand), aligning and anchoring base.



Bare shaft pump

Version without driver suitable to be coupled with a standard electric motor.



Hydraulic specifications

- Maximum delivery: up to **640** m³/h for 2 poles range.
up to **1800** m³/h for 4 poles range.
 - Maximum head: up to **160** m for 2 poles range.
up to **100** m for 4 poles range.
 - Hydraulic performance compliant with ISO 9906:2012 – Grade 3B.
 - Fluid temperature range:
 - standard version (with mechanical seal BQ1EGG-WA and EPDM gasket) **-25 to +120 °C**
 - versions on request (depending on mechanical seal and gasket) **-20*** or **-25 to +120** or **+140 °C**.
 - Maximum operating pressure:
 - standard version (with mechanical seal BQ1EGG-WA) **16 bar @ 90 °C** and **10 bar @ 120 °C** (for cast iron casing)
 - 16 bar @ 120 °C** and **15,6 bar @ 140 °C** (for cast ductile iron casing)
 - 16 bar @ 50 °C** and **14,8 bar @ 140 °C** (for cast stainless steel casing)
 - 16 bar @ 140 °C** (for cast duplex casing)
 - version on request (with other mechanical seal) **16 bar @ 120 °C** and **14,9 bar @ 140 °C**
- * Fluoro-elastomer: FPM (old ISO), FKM (ASTM & new ISO).

- Connection dimensions according to EN 733 for models 32-125/200, 40-125/250, 50-125/250, 65-125/315, 80-160/315, 100-200/400, 125-250/400, 150-315/400

Motor specifications

- Squirrel cage in short circuit enclosed construction with external ventilation (TEFC).
- 2-pole and 4-pole ranges.
- **IP55** protection degree as motor (EN 60034-5), IPX5 as electro-pump (EN 60529).
- Performances according to EN 60034-1.
- **IE3** efficiency level (three-phase 0,75 to 375 kW).
- **155 (F)** insulation class.
- Standard voltage:
 - 1 x 220-240 V 50 Hz for power up to 2,2 kW
 - 3 x 220-240/380-415 V 50 Hz for power up to 3 kW
 - 3 x 380-415/660-690 V 50 Hz for power above 3 kW
- Maximum ambient temperature: 40 °C.

Note

- Anti-clockwise rotation when facing pump's suction port.
- Pump does not include counter-flanges.

List of the Directives

- Machinery Directive MD 2006/42/EC
- Electromagnetic Compatibility Directive EMCD 2004/108/EC
- Ecodesign requirements for energy-related products ErP 2009/125/EC, Regulation (EC) No 640/2009, Regulation (EU) No 4/2014, Regulation (EU) No 547/2012

and the main technical norms

- EN 809, EN 60204-1 (safety)
- EN 1092-2 (cast and ductile iron flanges)
- EN 1092-1 (stainless steel and duplex flanges)
- EN 61000-6-1, EN 61000-6-3
- EN 60034-30:2009, IEC 60034-30:2014 (electric motors)

e-NSC SERIES for COMMERCIAL BUILDING SERVICES (CBS) APPLICATIONS & BENEFITS

Applications

The **Lowara e-NSC Series** is suitable for many different applications demanding reliable and efficient products that require constant or variable duty points in cost saving operation.

The Lowara e-NSC Series can be used for the following CBS applications:

- **HVAC**
 - Liquid transfer in heating systems.
 - Liquid transfer in air-conditioning systems.
 - Liquid transfer in ventilation systems.
- **Water Supply**
 - Pressure boosting in commercial buildings.
 - Irrigation systems.
 - Water transfer for green houses.
- **Fire Fighting**



Benefits

The Lowara e-NSC Series permit to achieve the following benefits.

- **Performances:** the e-NSC pumps are ErP 2015 compliant, equipped with IE3 motors and with the right hydraulic coverage for CBS applications. The standard full cast iron version with PN16, 140 °C maximum fluid temperature and EPDM elastomer is exactly what the CBS Market needs.
- **Reliability:** the high quality in production, the robust construction and operation, the easily interchangeable mechanical seals, and wear rings guarantee a continuous operation without faults and a shorter down time for maintenance.
- **Versatility:** beside the standard offer, the Lowara e-NSC series is available in many different material configurations for casing, impeller, and elastomers as well as different construction methods to address a wide range of applications.
- **Total cost ownership:** the best hydraulic and electric efficiency, the HYDROVAR-equipped versions, the easy and quick maintenance, permit to reduce the operation and maintenance cost and to save energy when the pump is working.
- **Pre-post sales support:** we are continuously working close to our customers to help them in selecting the right pump for the specific application. An improved user-friendly selection software improved with many selection tools is available on the website, on DVD or on Apps for mobile phones. Experienced engineers are fully dedicated to big projects for Municipality.

Features

- Sizes DN32 to DN300.
- Wide performance range up to 160 m head and 1800 m³/h flow.
- Nominal pressure of 16 bar.
- Wide range of temperatures for pumped liquids: -25°C to +140°C.
- Wide range of materials for many different kinds of pumped liquid.
- Wide range of voltages.
- High performance IE3 motors.
- Variable speed by optional HYDROVAR drive.

e-NSC SERIES for INDUSTRY APPLICATIONS & BENEFITS

Applications

The e-NSC series and the different available configurations and standard options have been designed to cover a wide range of applications in the Industry segment. The e-NSC series can be installed in machines where compactness and high performances are a must or within industrial processes where the user looks for a robust and reliable design for the handling of many different liquids.

The Lowara e-NSC Series can be used for the following Industry applications:

- **Process**
 - Process cooling
 - Process heating
 - Heat recovery
- **Water Supply**
 - Water boosting
 - Water treatment
 - Washing and cleaning

Benefits

The Lowara e-NSC Series permit to achieve the following benefits:

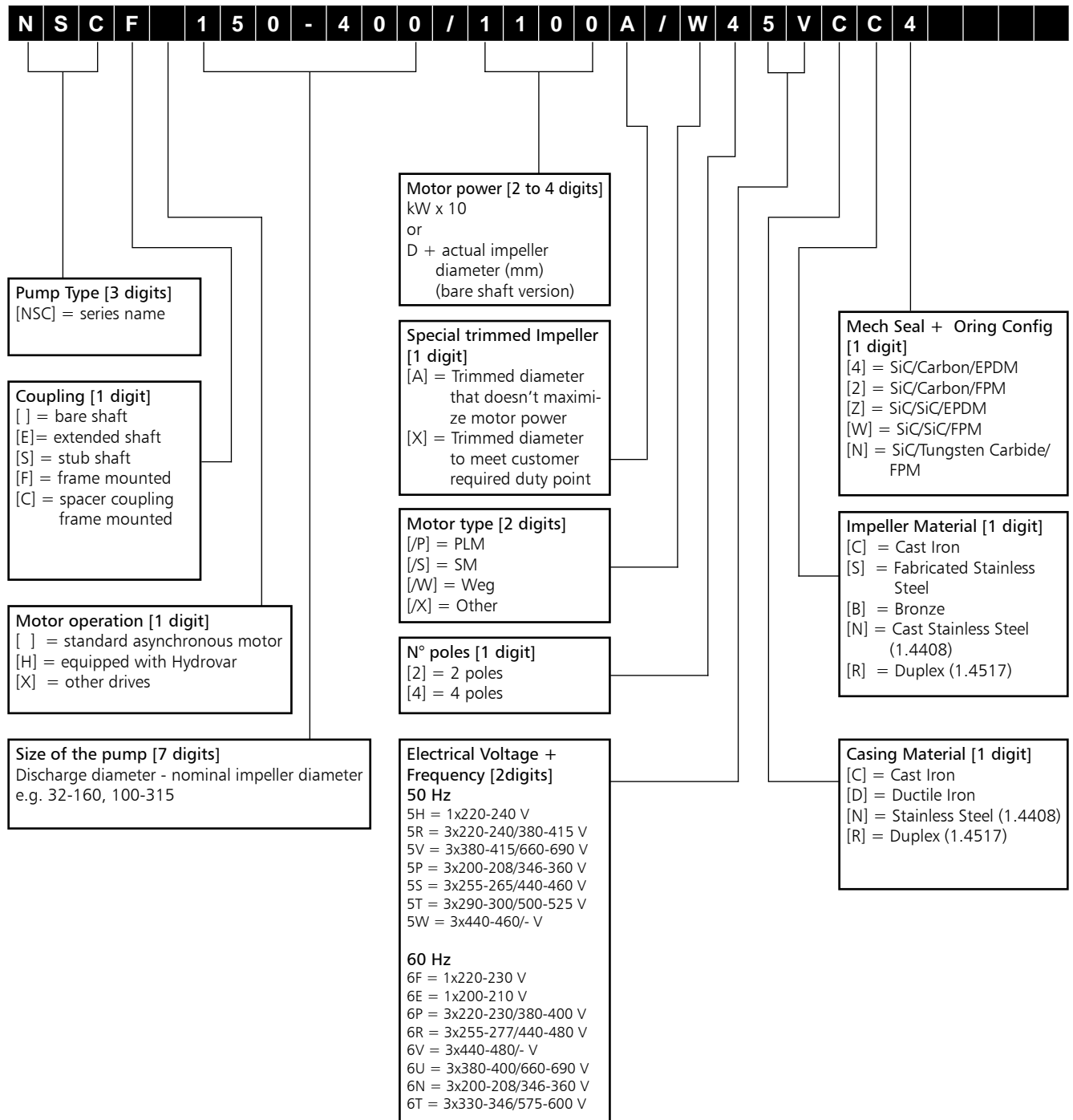
- **Efficiency:** new designed high efficiency hydraulics, IE3 motors, and the option with variable speed by the HYDROVAR drive sets the basis for very low operation costs.
- **Reliability:** various mechanical seal materials and options are available to meet the exact needs of your specific application. The e-NSC is also designed for easy maintenance and all service points are easily reachable to reduce downtime.
- **Know How:** the perfect configuration for an application can be made with the selection tool or with the support of our industrial experienced employees.
- **A global platform:** the e-NSC series are assembled in different factories across the world to make the e-NSC always "closer" to our customer. Beyond our commitment to reduce the carbon footprint of e-NSC, this global platform secures the availability of the same design with the same quality processes everywhere.



Features

- Sizes DN32 to DN300.
- Wide performance range up to 160 m head and 1800 m³/h flow.
- Nominal pressure 16 bar.
- Wide range of temperatures for pumped liquids: -25°C to +140°C.
- Wide range of materials for many different kinds of pumped liquid.
- Wide range of voltages.
- High performance IE3 motors.
- Variable speed by optional HYDROVAR drive.

e-NSC SERIES IDENTIFICATION CODE



EXAMPLES

NSCS 100-250/900/W25RCC4

End-suction, electric pump with stub shaft coupling, DN 100 nominal discharge port, 250 mm nominal impeller diameter, 90 kW rated motor power, WEG IE3 model, 2-pole, 50 Hz 220-240/380-415 V, cast iron casing, cast iron impeller, Silicon carbide/Carbon/EPDM mechanical seal.

NSCF 150-400/1100A/W45VCC4

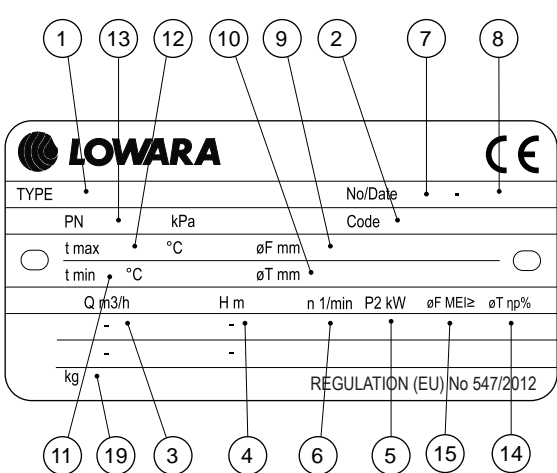
End-suction, electric pump with frame mounted coupling, DN 150 nominal discharge port, 400 mm nominal impeller diameter, 110 kW rated motor power, trimmed impeller, WEG IE3 model, 4-pole, 50 Hz 380-415/660-690 V, cast iron casing, cast iron impeller, Silicon carbide/Carbon/EPDM mechanical seal.

NSC 150-400/D423CCZ

End-suction, bare shaft pump, DN 150 nominal discharge port, 400 mm nominal impeller diameter, 423 mm actual impeller diameter, cast iron casing, cast iron impeller, Silicon carbide/ Silicon carbide/EPDM mechanical seal.

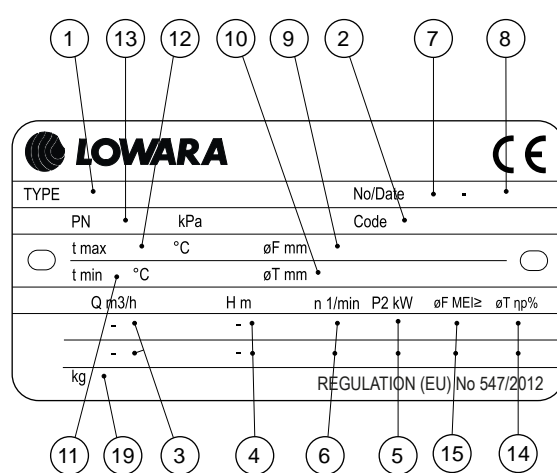
e-NSC SERIES RATING PLATE

ELECTRIC PUMP



TYPE		No./Date		Code			
PN	kPa						
t max °C	°C	øF mm					
t min °C	°C	øT mm					
Q m ³ /h	H m	n 1/min	P2 kW	øF MEI ≥	øT ηp%		
-	-	-	-	-	-	REGULATION (EU) No 547/2012	
kg							

PUMP ONLY (NSC)



TYPE		No./Date		Code			
PN	kPa						
t max °C	°C	øF mm					
t min °C	°C	øT mm					
Q m ³ /h	H m	n 1/min	P2 kW	øF MEI ≥	øT ηp%		
-	-	-	-	-	-	REGULATION (EU) No 547/2012	
kg							

LEGEND

- | | |
|--|--|
| <ul style="list-style-type: none"> 1 - Pump / electric pump unit type 2 - Pump code / electric pump unit code 3 - Flow range 4 - Head range 5 - Nominal or maximum pump power 6 - Speed 7 - Serial number or order number 8 - Order position number 9 - Full impeller diameter (only filled in for trimmed impellers) | <ul style="list-style-type: none"> 10 - Trimmed impeller diameter (only filled in for trimmed impellers) 11 - Minimum operating liquid temperature 12 - Maximum operating liquid temperature 13 - Maximum operating pressure 14 - Hydraulic efficiency in best efficiency point 15 - Minimum efficiency index MEI (Regulation (EU) No 547/2012) 19 - Weight |
|--|--|

Note for electric pump unit: refer to motor data plate for electrical data.

e-NSC SERIES
LIST OF MODELS AT 50 Hz, 2 POLES

SIZE NSC..2	kW	VERSION			
		NSCE	NSCS	NSCF	NSCC
32-125/11(*)	1,1	•	•	•	•
32-125/15(*)	1,5	•	•	•	•
32-125/22(*)	2,2	•	•	•	•
32-125/30	3	•	•	•	•
32-160/22(*)	2,2	•	•	•	•
32-160/30	3	•	•	•	•
32-160/40	4	•	•	•	•
32-160/55	5,5	•	•	•	•
32-200/40	4	•	•	•	•
32-200/55	5,5	•	•	•	•
32-200/75	7,5	•	•	•	•
32-250/92	9,2	•	-	-	-
32-250/110A	11	-	•	•	•
32-250/110	11	•	•	•	•
32-250/150	15	•	•	•	•
40-125/15(*)	1,5	•	•	•	•
40-125/22(*)	2,2	•	•	•	•
40-125/30	3	•	•	•	•
40-125/40	4	•	•	•	•
40-160/40	4	•	•	•	•
40-160/55	5,5	•	•	•	•
40-160/75	7,5	•	•	•	•
40-200/55	5,5	•	•	•	•
40-200/75	7,5	•	•	•	•
40-200/92	9,2	•	-	-	-
40-200/110A	11	-	•	•	•
40-200/110	11	•	•	•	•
40-250/110	11	•	•	•	•
40-250/150	15	•	•	•	•
40-250/185	18,5	•	•	•	•
40-250/220	22	•	•	•	•
50-125/30	3	•	•	•	•
50-125/40	4	•	•	•	•
50-125/55	5,5	•	•	•	•
50-125/75	7,5	•	•	•	•
50-160/75	7,5	•	•	•	•
50-160/92	9,2	•	-	-	-
50-160/110A	11	-	•	•	•
50-160/110	11	•	•	•	•
50-200/110	11	•	•	•	•
50-200/150	15	•	•	•	•
50-200/185	18,5	•	•	•	•
50-250/185	18,5	•	•	•	•
50-250/220	22	•	•	•	•
50-250/300	30	-	•	•	•

• = Available

Nsc1_models-2p50-en_a_sc

SIZE NSC..2	kW	VERSION			
		NSCE	NSCS	NSCF	NSCC
50-315/370	37	-	•	•	•
50-315/450	45	-	•	•	•
50-315/550	55	-	•	•	•
50-315/750	75	-	•	•	•
65-125/40	4	•	•	•	•
65-125/55	5,5	•	•	•	•
65-125/75	7,5	•	•	•	•
65-125/92	9,2	•	-	-	-
65-125/110A	11	-	•	•	•
65-125/110	11	•	•	•	•
65-160/92	9,2	•	-	-	-
65-160/110A	11	-	•	•	•
65-160/110	11	•	•	•	•
65-160/150	15	•	•	•	•
65-160/185	18,5	•	•	•	•
65-200/110	11	•	•	•	•
65-200/150	15	•	•	•	•
65-200/185	18,5	•	•	•	•
65-200/220	22	•	•	•	•
65-200/300	30	-	•	•	•
65-250/300	30	-	•	•	•
65-250/370	37	-	•	•	•
65-250/450	45	-	•	•	•
65-250/550	55	-	•	•	•
65-315/550	55	-	•	•	•
65-315/750	75	-	•	•	•
65-315/900	90	-	•	•	•
80-160/110	11	•	•	•	•
80-160/150	15	•	•	•	•
80-160/185	18,5	•	•	•	•
80-160/220	22	•	•	•	•
80-200/220	22	-	•	•	•
80-200/300	30	-	•	•	•
80-200/370	37	-	•	•	•
80-200/450	45	-	•	•	•
80-250/370	37	-	•	•	•
80-250/450	45	-	•	•	•
80-250/550	55	-	•	•	•
80-250/750	75	-	•	•	•
80-316/900	90	-	•	•	•
80-316/1100	110	-	-	•	•
80-316/1320	132	-	-	•	•
80-316/1600	160	-	-	•	•

SIZE FH	kW	VERSION 2FHE	NSCS	NSCF	NSCC
32-250/55	5,5	•	-	-	-
32-250/75	7,5	•	-	-	-

(*) Models available also in single-phase version.

NSCE : Extended shaft.

NSCS : Stub shaft.

NSCF : Frame mounted.

NSCC : Frame mounted with spacer coupling.

e-NSC SERIES
LIST OF MODELS AT 50 Hz, 2 POLES

SIZE NSC	kW	VERSION			
		NSCE	NSCS	NSCF	NSSC
100-160/150	15	-	•	•	•
100-160/185	18,5	-	•	•	•
100-160/220	22	-	•	•	•
100-160/300	30	-	•	•	•
100-200/300	30	-	•	•	•
100-200/370	37	-	•	•	•
100-200/450	45	-	•	•	•
100-200/550	55	-	•	•	•
100-250/450	45	-	-	•	•
100-250/550	55	-	-	•	•
100-250/750	75	-	•	•	•
100-250/900	90	-	•	•	•
100-316/1100	110	-	-	•	•
100-316/1320	132	-	-	•	•
100-316/1600	160	-	-	•	•
125-200/450	45	-	•	•	•
125-200/550	55	-	•	•	•
125-200/750	75	-	•	•	•
125-200/900	90	-	•	•	•
125-315/1100	110	-	-	•	•
125-315/1320	132	-	-	•	•
125-315/1600	160	-	-	•	•
125-315/2000	200	-	-	•	•

• = Available

Nsc_models-2p50-en_b_sc

e-NSC SERIES
LIST OF MODELS AT 50 Hz, 4 POLES

SIZE NSC..4	kW	VERSION			
		NSCE	NSCS	NSCF	NSCC
32-125/02B	0,25	•	-	•	•
32-125/02A	0,25	•	-	•	•
32-125/02	0,25	•	-	•	•
32-125/03	0,37	•	-	•	•
32-160/02	0,25	•	-	•	•
32-160/03	0,37	•	-	•	•
32-160/05A	0,55	•	•	•	•
32-160/05	0,55	•	•	•	•
32-200/05	0,55	•	•	•	•
32-200/07	0,75	•	•	•	•
32-200/11	1,1	•	•	•	•
32-250/11	1,1	-	•	•	•
32-250/15A	1,5	•	-	-	-
32-250/15	1,5	•	•	•	•
32-250/22	2,2	•	•	•	•
40-125/02A	0,25	•	-	•	•
40-125/02	0,25	•	-	•	•
40-125/03	0,37	•	-	•	•
40-125/05	0,55	•	•	•	•
40-160/05	0,55	•	•	•	•
40-160/07	0,75	•	•	•	•
40-160/11	1,1	•	•	•	•
40-200/07	0,75	•	•	•	•
40-200/11	1,1	•	•	•	•
40-200/15A	1,5	•	•	•	•
40-200/15	1,5	•	•	•	•
40-250/15	1,5	•	•	•	•
40-250/22A	2,2	•	•	•	•
40-250/22	2,2	•	•	•	•
40-250/30	3	•	•	•	•
50-125/03	0,37	•	-	•	•
50-125/05	0,55	•	•	•	•
50-125/07	0,75	•	•	•	•
50-125/11	1,1	•	•	•	•
50-160/11A	1,1	•	•	•	•
50-160/11	1,1	•	•	•	•
50-160/15	1,5	•	•	•	•
50-200/15	1,5	•	•	•	•
50-200/22A	2,2	•	•	•	•
50-200/22	2,2	•	•	•	•
50-250/22	2,2	•	•	•	•
50-250/30	3	•	•	•	•
50-250/40	4	•	•	•	•
50-315/40	4	-	•	•	•
50-315/55	5,5	-	•	•	•
50-315/75	7,5	-	•	•	•
50-315/110	11	-	•	•	•

• = Available

Nsc1_models-4p50-en_a_sc

SIZE NSC..4	kW	VERSION			
		NSCE	NSCS	NSCF	NSCC
65-125/05	0,55	•	•	•	•
65-125/07	0,75	•	•	•	•
65-125/11	1,1	•	•	•	•
65-125/15	1,5	•	•	•	•
65-160/11	1,1	-	•	•	•
65-160/15A	1,5	•	-	-	-
65-160/15	1,5	•	•	•	•
65-160/22A	2,2	•	•	•	•
65-160/22	2,2	•	•	•	•
65-200/15	1,5	•	•	•	•
65-200/22A	2,2	•	•	•	•
65-200/22	2,2	•	•	•	•
65-200/30	3	•	•	•	•
65-200/40	4	•	•	•	•
65-250/40	4	-	•	•	•
65-250/55A	5,5	-	•	•	•
65-250/55	5,5	-	•	•	•
65-250/75	7,5	-	•	•	•
65-315/55	5,5	-	•	•	•
65-315/75	7,5	-	•	•	•
65-315/110	11	-	•	•	•
65-315/150	15	-	•	•	•
80-160/15	1,5	•	•	•	•
80-160/22A	2,2	•	•	•	•
80-160/22	2,2	•	•	•	•
80-160/30	3	•	•	•	•
80-200/30	3	-	•	•	•
80-200/40	4	-	•	•	•
80-200/55A	5,5	-	•	•	•
80-200/55	5,5	-	•	•	•
80-250/55A	5,5	-	•	•	•
80-250/55	5,5	-	•	•	•
80-250/75	7,5	-	•	•	•
80-250/110	11	-	•	•	•
80-315/110A	11	-	•	•	•
80-315/110	11	-	•	•	•
80-315/150	15	-	•	•	•
80-315/185	18,5	-	•	•	•
80-315/220	22	-	•	•	•
80-400/185	18,5	-	•	•	•
80-400/220	22	-	•	•	•
80-400/300	30	-	•	•	•
80-400/370	37	-	•	•	•

SIZE FH	kW	VERSION			
		2FHE4	NSCS	NSCF	NSCC
32-250/07	0,75	•	-	-	-
32-250/11	1,1	•	-	-	-

e-NSC SERIES
LIST OF MODELS AT 50 Hz, 4 POLES

SIZE NSC..4	kW	VERSION			
		NSCE	NSCS	NSCF	NSCC
100-160/22A	2,2	-	•	•	•
100-160/22	2,2	-	•	•	•
100-160/30	3	-	•	•	•
100-160/40	4	-	•	•	•
100-200/40	4	-	•	•	•
100-200/55	5,5	-	•	•	•
100-200/75	7,5	-	•	•	•
100-250/55	5,5	-	-	•	•
100-250/75	7,5	-	•	•	•
100-250/110	11	-	•	•	•
100-315/110	11	-	•	•	•
100-315/150	15	-	•	•	•
100-315/185	18,5	-	•	•	•
100-315/220	22	-	•	•	•
100-315/300	30	-	•	•	•
100-400/300	30	-	•	•	•
100-400/370	37	-	•	•	•
100-400/450	45	-	•	•	•
125-200/55	5,5	-	•	•	•
125-200/75	7,5	-	•	•	•
125-200/110	11	-	•	•	•
125-250/75	7,5	-	-	•	•
125-250/110	11	-	•	•	•
125-250/150	15	-	•	•	•
125-315/185	18,5	-	•	•	•
125-315/220	22	-	•	•	•
125-315/300	30	-	•	•	•
125-315/370	37	-	•	•	•
125-400/370	37	-	•	•	•
125-400/450	45	-	•	•	•
125-400/550	55	-	•	•	•
125-400/750	75	-	•	•	•
150-200/110A	11	-	•	•	•
150-200/110	11	-	•	•	•
150-200/150A	15	-	•	•	•
150-200/150	15	-	•	•	•
150-250/150	15	-	•	•	•
150-250/185	18,5	-	•	•	•
150-250/220	22	-	•	•	•
150-250/300	30	-	•	•	•
150-315/300	30	-	•	•	•
150-315/370	37	-	•	•	•
150-315/450	45	-	•	•	•
150-400/450	45	-	-	•	•
150-400/550	55	-	•	•	•
150-400/750	75	-	•	•	•
150-400/900	90	-	•	•	•
150-400/1100	110	-	-	•	•
150-500/900	90	-	-	•	•
150-500/1100	110	-	-	•	•
150-500/1320	132	-	-	•	•
150-500/1600	160	-	-	•	•
150-500/2000	200	-	-	•	•

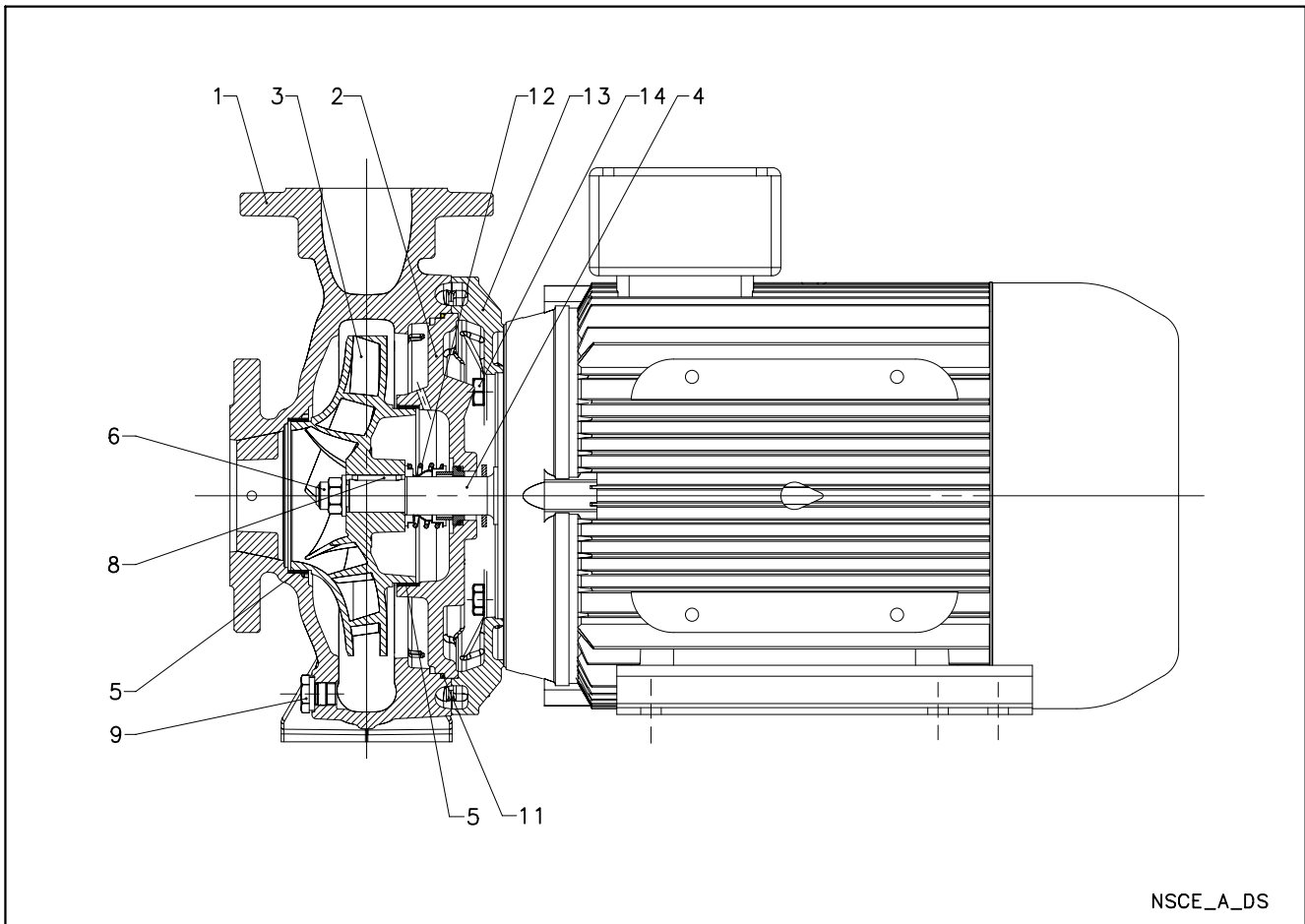
SIZE NSC..4	kW	VERSION			
		NSCE	NSCS	NSCF	NSCC
200-250/185	18,5	-	•	•	•
200-250/220	22	-	•	•	•
200-250/300A	30	-	•	•	•
200-250/300	30	-	•	•	•
200-315/300	30	-	-	•	•
200-315/370	37	-	•	•	•
200-315/450	45	-	•	•	•
200-315/550	55	-	•	•	•
200-315/750	75	-	•	•	•
200-400/750A	75	-	-	•	•
200-400/750	75	-	-	•	•
200-400/900	90	-	-	•	•
200-400/1100	110	-	-	•	•
200-400/1320	132	-	-	•	•
200-500/1320	132	-	-	•	•
200-500/1600	160	-	-	•	•
200-500/2000	200	-	-	•	•
200-500/2500	250	-	-	•	•
200-500/3150	315	-	-	•	•
250-315/370	37	-	•	•	•
250-315/450	45	-	•	•	•
250-315/550	55	-	•	•	•
250-315/750	75	-	•	•	•
250-400/750	75	-	-	•	•
250-400/900	90	-	-	•	•
250-400/1100	110	-	-	•	•
250-400/1320	132	-	-	•	•
250-400/1600	160	-	-	•	•
250-400/2000	200	-	-	•	•
250-500/1600	160	-	-	•	•
250-500/2000	200	-	-	•	•
250-500/2500	250	-	-	•	•
250-500/3150	315	-	-	•	•
250-500/3550	355	-	-	•	•
300-350/750A	75	-	-	•	•
300-350/750	75	-	-	•	•
300-350/900	90	-	-	•	•
300-350/1100	110	-	-	•	•
300-400/1100	110	-	-	•	•
300-400/1320	132	-	-	•	•
300-400/1600	160	-	-	•	•
300-400/2000	200	-	-	•	•
300-400/2500	250	-	-	•	•
300-450/1600	160	-	-	•	•
300-450/2000	200	-	-	•	•
300-450/2500	250	-	-	•	•
300-450/3150	315	-	-	•	•

• = Available

Nsc2_models-4p50-en_a_sc

NSCE SERIES

ELECTRIC PUMP CROSS-SECTION AND MAIN COMPONENTS



NSCE_A_DS

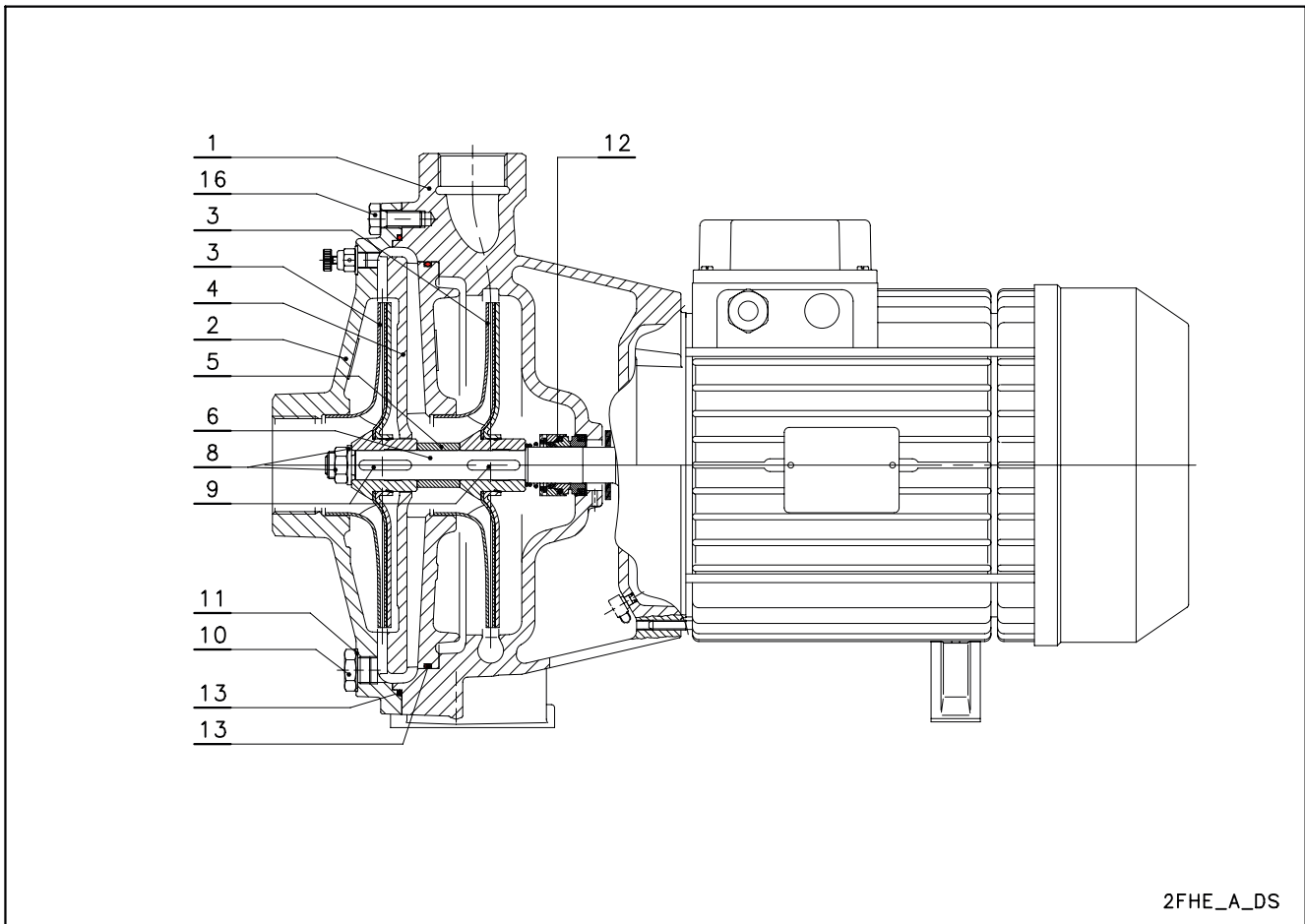
REF. N.	PART	MATERIAL	REFERENCE STANDARDS	
			EUROPE	USA
1	Volute casing	Cast iron	EN 1561 - GJL-250 (JL1040)	ASTM Class 35
2	Casing cover	Cast iron	EN 1561 - GJL-250 (JL1040)	ASTM Class 35
3	Impeller (32, 40, 50)	Stainless steel	EN 10088-1-X2CrNiMo17-12-2 (1.4404)	AISI 316L
	Impeller (65, 80)	Cast iron	EN 1561 - GJL-200 (JL1030)	ASTM Class 30
	Impeller (65, 80)	Bronze	EN 1982 - CuSn10-C (CC480K)	UNS C90700
4	Stub shaft	Stainless steel	EN 10088-1-X2CrNiMo17-12-2 (1.4404)	AISI 316L
5	Wear ring	Stainless steel	EN 10088-X5CrNi18-10 (1.4301)	AISI 304
6	Impeller lock nut and washer	Stainless steel	EN 10088-1-X5CrNiMo17-12-2 (1.4401)	AISI 316
8	Impeller key	Stainless steel	EN 10088-1-X2CrNiMo17-12-2 (1.4404)	AISI 316L
9	Fill and drain plugs	Nickel-plated brass	EN 12164-CuZn39Pb3 (CW614N)	-
11	O-Ring	EPDM (standard version)		
12	Mechanical seal	Carbon / Silicon carbide / EPDM (standard version)		
13	Motor adapter *	Aluminium	EN 1706-AC-AISI11Cu2 (Fe) (AC46100)	-
	Motor adapter	Cast iron	EN 1561 - GJL-250 (JL1040)	ASTM Class 35
14	Volute casing fastening bolts and screws	Galvanized steel		

* 2/4 pole: 32/40/50-125, 32/40-160

Nsce-en_a_tm

2FHE SERIES

ELECTRIC PUMP CROSS-SECTION AND MAIN COMPONENTS

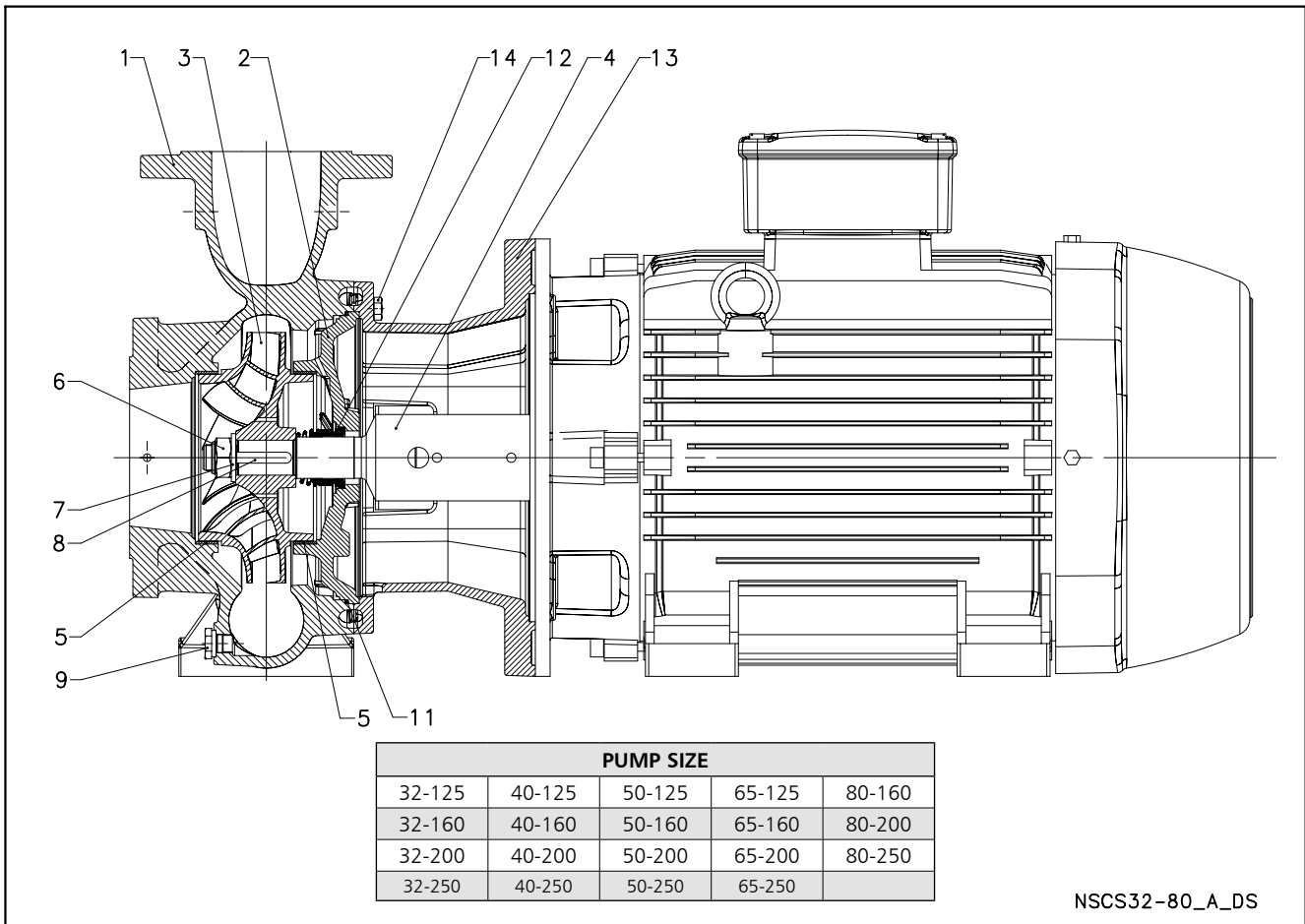


2FHE_A_DS

REF. N.	PART	MATERIAL	REFERENCE STANDARDS	
			EUROPE	USA
1	Pump body	Cast iron	EN 1561-GJL-200 (JL1030)	ASTM Class 25
2	Suction flange	Cast iron	EN 1561-GJL-200 (JL1030)	ASTM Class 25
3	Impeller	Stainless steel	EN 10088-1-X2CrNiMo17-12-2 (1.4404)	AISI 316L
4	Diffuser	Cast iron	EN 1561-GJL-200 (JL1030)	ASTM Class 25
5	Impeller spacer	Stainless steel	EN 10088-1-X2CrNiMo17-12-2 (1.4404)	AISI 316L
6	Shaft extension	Stainless steel	EN 10088-1-X2CrNiMo17-12-2 (1.4404)	AISI 316L
8	Impeller lock nut and washer	Stainless steel	EN 10088-1-X2CrNiMo17-12-2 (1.4404)	AISI 316L
9	Tab	Stainless steel	EN 10088-1-X2CrNiMo17-12-2 (1.4404)	AISI 316L
10	Fill and drain plugs	Nickel-plated brass	EN 12164-CuZn39Pb3 (CW614N)	-
11	Fill and drain plugs seals	Aluminium	EN 573-AW-Al99,5 (AW1050A)	-
12	Mechanical seal	Ceramic / Carbon / NBR (standard version)		
13	Elastomers	NBR (standard version)		
16	Pump body fastening bolts and screws	Galvanized steel		

fh_2fhe-en_a_tm

NSCS SERIES ELECTRIC PUMP CROSS-SECTION AND MAIN COMPONENTS

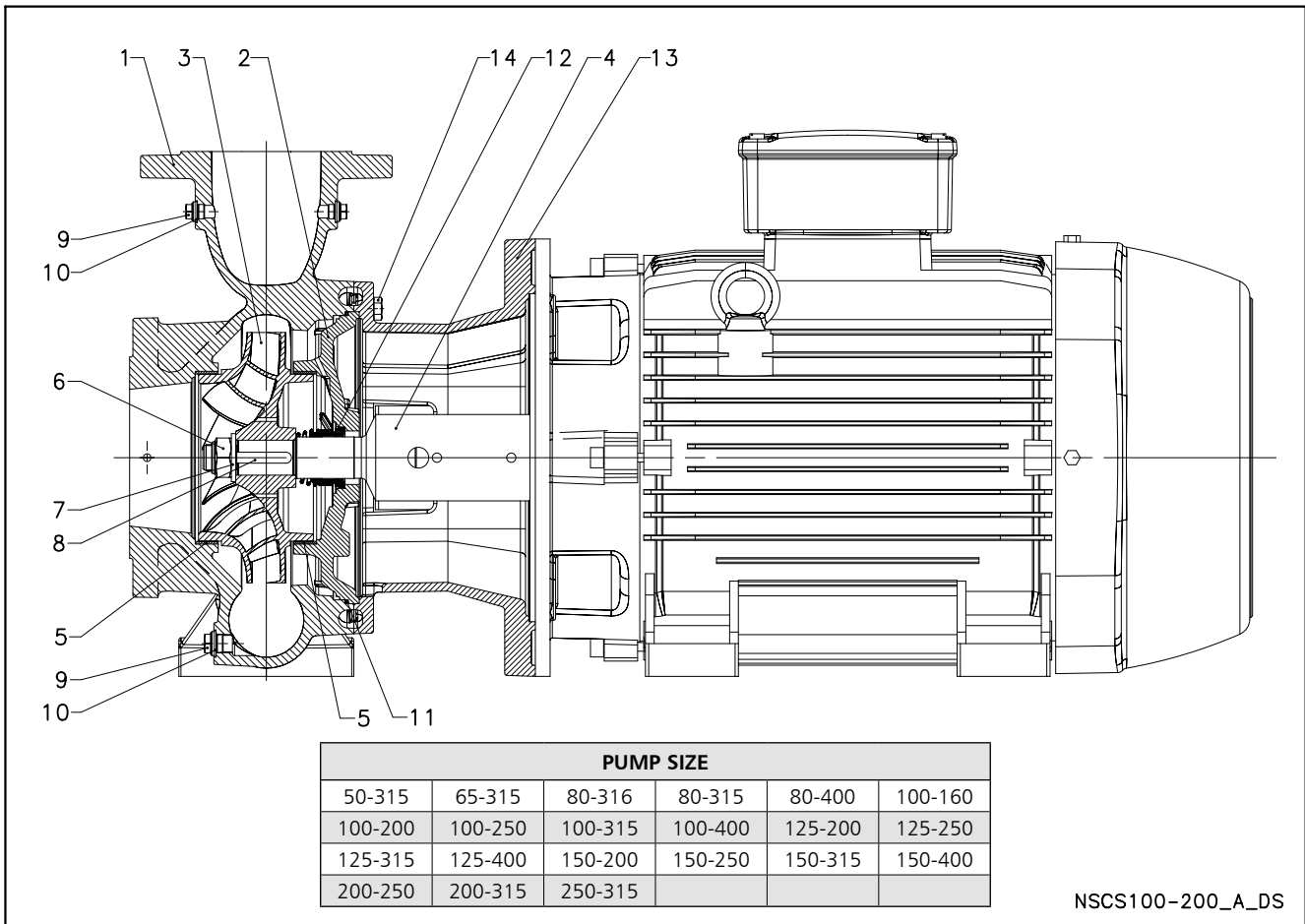


REF. N.	PART	MATERIAL	REFERENCE STANDARDS	
			EUROPE	USA
1	Volute casing	Cast iron	EN 1561 - GJL-250 (JL1040)	ASTM Class 35
2	Casing cover	Cast iron	EN 1561 - GJL-250 (JL1040)	ASTM Class 35
3	Impeller (32, 40, 50)	Stainless steel	EN 10088-1-X2CrNiMo17-12-2 (1.4404)	AISI 316L
	Impeller (65, 80)	Cast iron	EN 1561 - GJL-200 (JL1030)	ASTM Class 30
	Impeller (65, 80)	Bronze	EN 1982 - CuSn10-C (CC480K)	UNS C90700
4	Stub shaft	Stainless steel	EN 10088-1-X2CrNiMo17-12-2 (1.4404)	AISI 316L
	Stub shaft (65-250, 80-200, 80-250)	Stainless steel	EN 10088-1-X17CrNi16-2 (1.4057)	AISI 431
5	Wear ring	Stainless steel	EN 10088-X5CrNi18-10 (1.4301)	AISI 304
6	Impeller lock nut and washer	Stainless steel	EN 10088-1-X5CrNiMo17-12-2 (1.4401)	AISI 316
8	Impeller key	Stainless steel	EN 10088-1-X2CrNiMo17-12-2 (1.4404)	AISI 316L
9	Fill and drain plugs	Nickel-plated brass	EN 12164-CuZn39Pb3 (CW614N)	-
11	O-Ring	EPDM (standard version)		
12	Mechanical seal	Carbon / Silicon carbide / EPDM (standard version)		
13	Adapter *	Aluminium	EN 1706-AC-AISI11Cu2 (Fe) (AC46100)	-
	Adapter	Cast iron	EN 1561 - GJL-250 (JL1040)	ASTM Class 35
	Motor adapter	Cast iron	EN 1561 - GJL-250 (JL1040)	ASTM Class 35
14	Volute casing fastening bolts and screws	Galvanized steel		

* 2/4 pole: 32/40/50-125, 32/40-160

NSCS SERIES

ELECTRIC PUMP CROSS-SECTION AND MAIN COMPONENTS

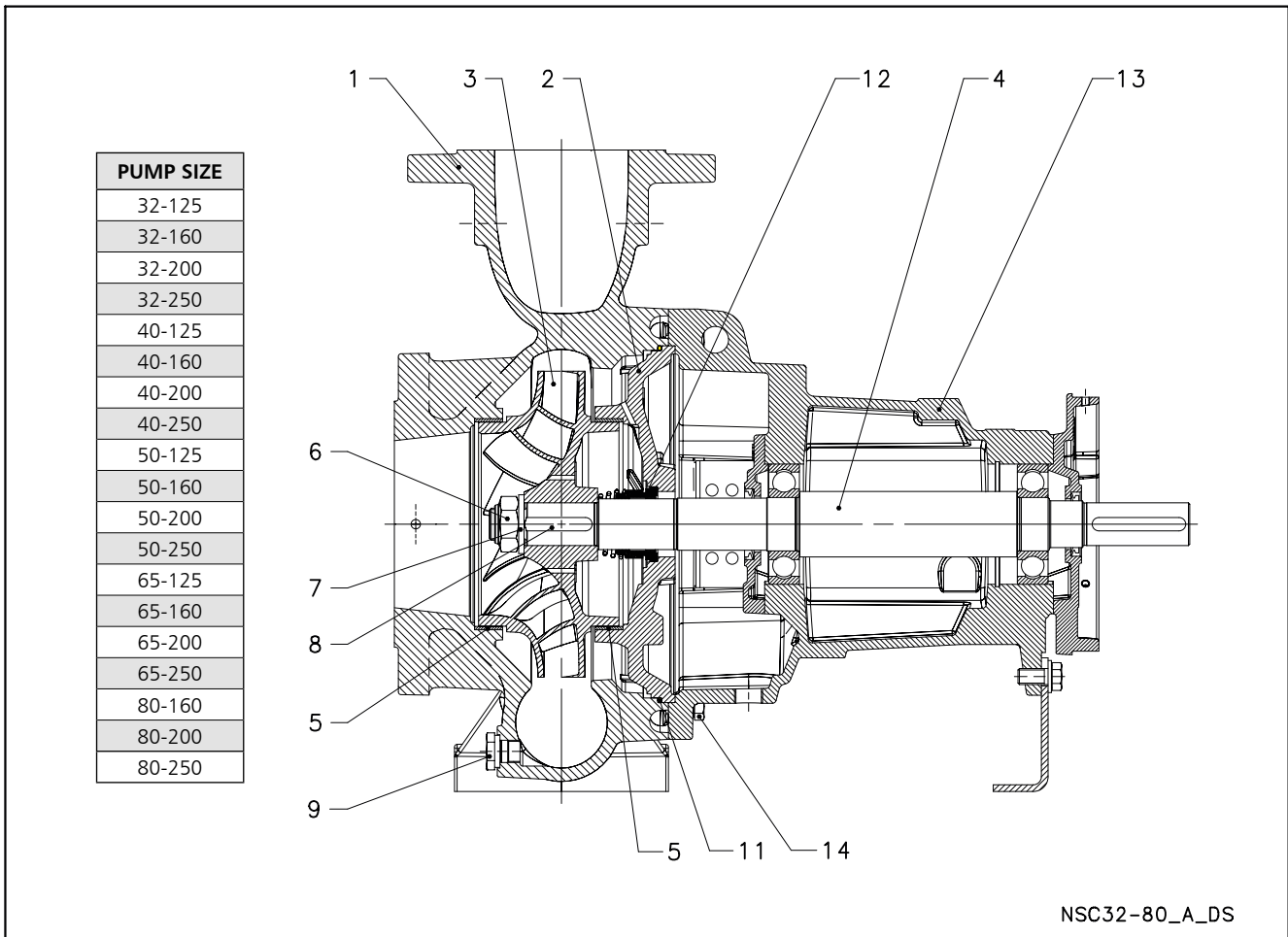


REF. N.	PART	MATERIAL	REFERENCE STANDARDS	
			EUROPE	USA
1	Volute casing	Cast iron	EN 1561 - GJL-250 (JL1040)	ASTM Class 35
	Volute casing (200-250, 200-315, 250/315)	Cast ductile iron	EN 1563 - EN-GJS400-15 (EN-JS1030)	ASTM A536 40-60-18
2	Casing cover	Cast iron	EN 1561 - GJL-250 (JL1040)	ASTM Class 35
	Casing cover (200-250, 200-315, 250/315)	Cast ductile iron	EN 1563 - EN-GJS400-15 (EN-JS1030)	ASTM A536 40-60-18
3	Impeller	Cast iron	EN 1561 - GJL-200 (JL1030)	ASTM Class 30
	Impeller	Bronze	EN 1982 - CuSn10-C (CC480K)	UNS C90700
4	Stub shaft	Stainless steel	EN 10088 - X17CrNi16-2 (1.4057)	AISI 431
5	Wear ring	Stainless steel	EN 10088 - X5CrNi18-10 (1.4301)	AISI 304
6	Impeller nut	Stainless steel	A4 (~ 1.4401)	
7	Impeller washer	Stainless steel	A4 (~ 1.4401)	
8	Impeller key	Stainless steel	EN 10088 - X6CrNiMo17-12-2 (1.4571)	AISI 316Ti
9	Plug	Stainless steel	EN 10088 - X6CrNiMo17-12-2 (1.4571)	AISI 316Ti
10	Gasket	Asbestos-free synthetic fiber AFM 34		
11	O-Ring	EPDM (standard version)		
12	Mechanical seal	Carbon / Silicon carbide / EPDM (standard version)		
13	Motor adapter	Cast iron	EN 1561 - GJL-250 (JL1040)	ASTM Class 35
14	Volute - casing fastening screws	Carbon steel		

Nscs100-200-en_a_tm

NSC, NSCF, NSCC SERIES

ELECTRIC PUMP CROSS-SECTION AND MAIN COMPONENTS

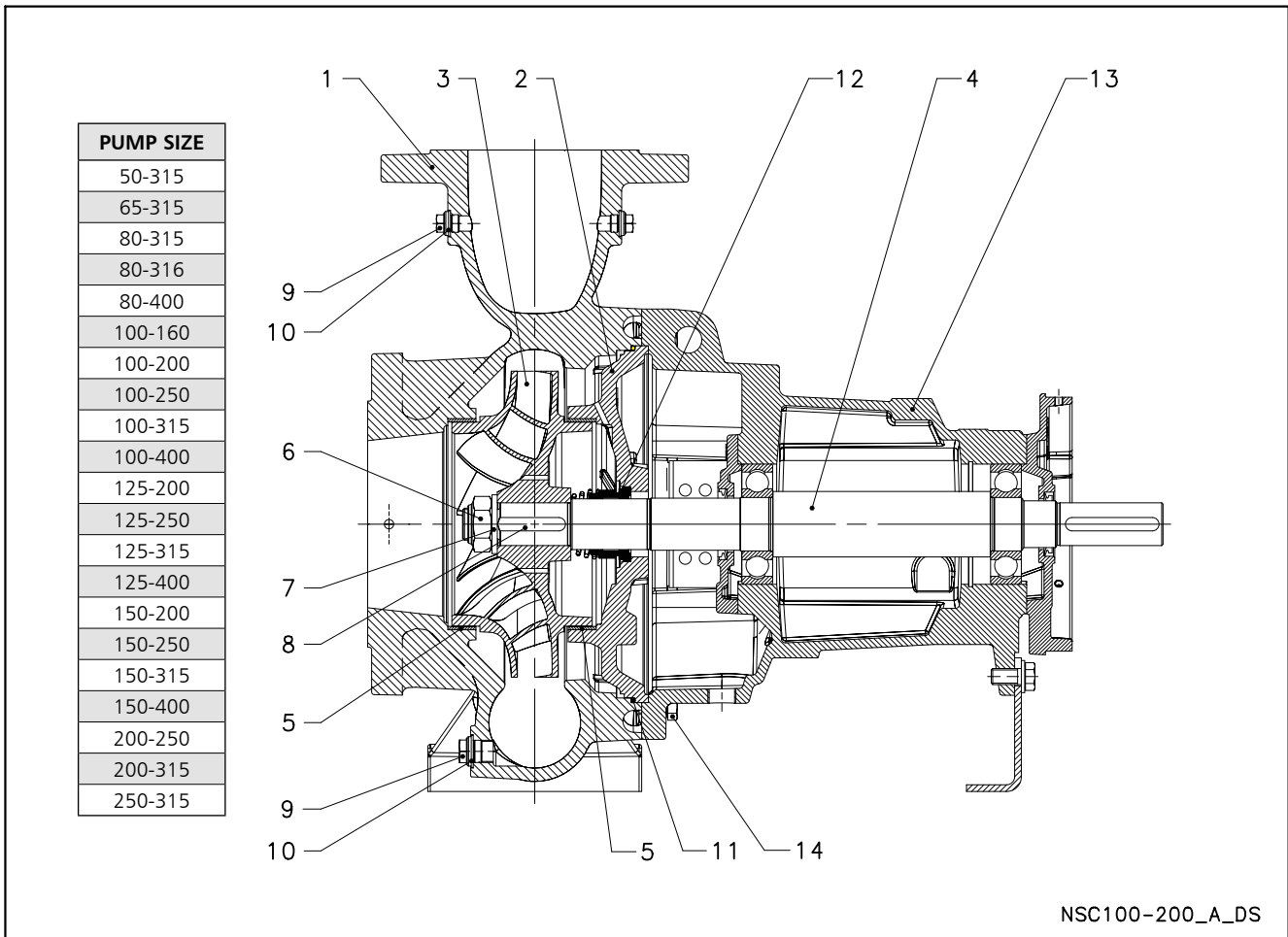


REF. N.	PART	MATERIAL	REFERENCE STANDARDS	
			EUROPE	USA
1	Volute casing	Cast iron	EN 1561 - GJL-250 (JL1040)	ASTM Class 35
2	Casing cover	Cast iron	EN 1561 - GJL-250 (JL1040)	ASTM Class 35
3	Impeller (32, 40, 50)	Stainless steel	EN 10088-1-X2CrNiMo17-12-2 (1.4404)	AISI 316L
	Impeller (65, 80)	Cast iron	EN 1561 - GJL-200 (JL1030)	ASTM Class 30
	Impeller (65, 80)	Bronze	EN 1982 - CuSn10-C (CC480K)	UNS C90700
4	Shaft	Stainless steel	EN 10088-1-X2CrNiMo17-12-2 (1.4404)	AISI 316L
	Shaft (65-250, 80-200, 80-250)	Stainless steel	EN 10088-1-X17CrNi16-2 (1.4057)	AISI 431
5	Wear ring	Stainless steel	EN 10088-X5CrNi18-10 (1.4301)	AISI 304
6	Impeller lock nut and washer	Stainless steel	EN 10088-1-X5CrNiMo17-12-2 (1.4401)	AISI 316
8	Impeller key	Stainless steel	EN 10088-1-X2CrNiMo17-12-2 (1.4404)	AISI 316L
9	Fill and drain plugs	Nickel-plated brass	EN 12164-CuZn39Pb3 (CW614N)	-
11	O-Ring	EPDM (standard version)		
12	Mechanical seal	Carbon / Silicon carbide / EPDM (standard version)		
13	Adapter *	Aluminium	EN 1706-AC-AISI11Cu2 (Fe) (AC46100)	-
	Adapter	Cast iron	EN 1561 - GJL-250 (JL1040)	ASTM Class 35
	Motor adapter	Cast iron	EN 1561 - GJL-250 (JL1040)	ASTM Class 35
14	Volute casing fastening bolts and screws	Galvanized steel		

* 2/4 pole: 32/40/50-125, 32/40-160

NSC, NSCF, NSCC SERIES

ELECTRIC PUMP CROSS-SECTION AND MAIN COMPONENTS

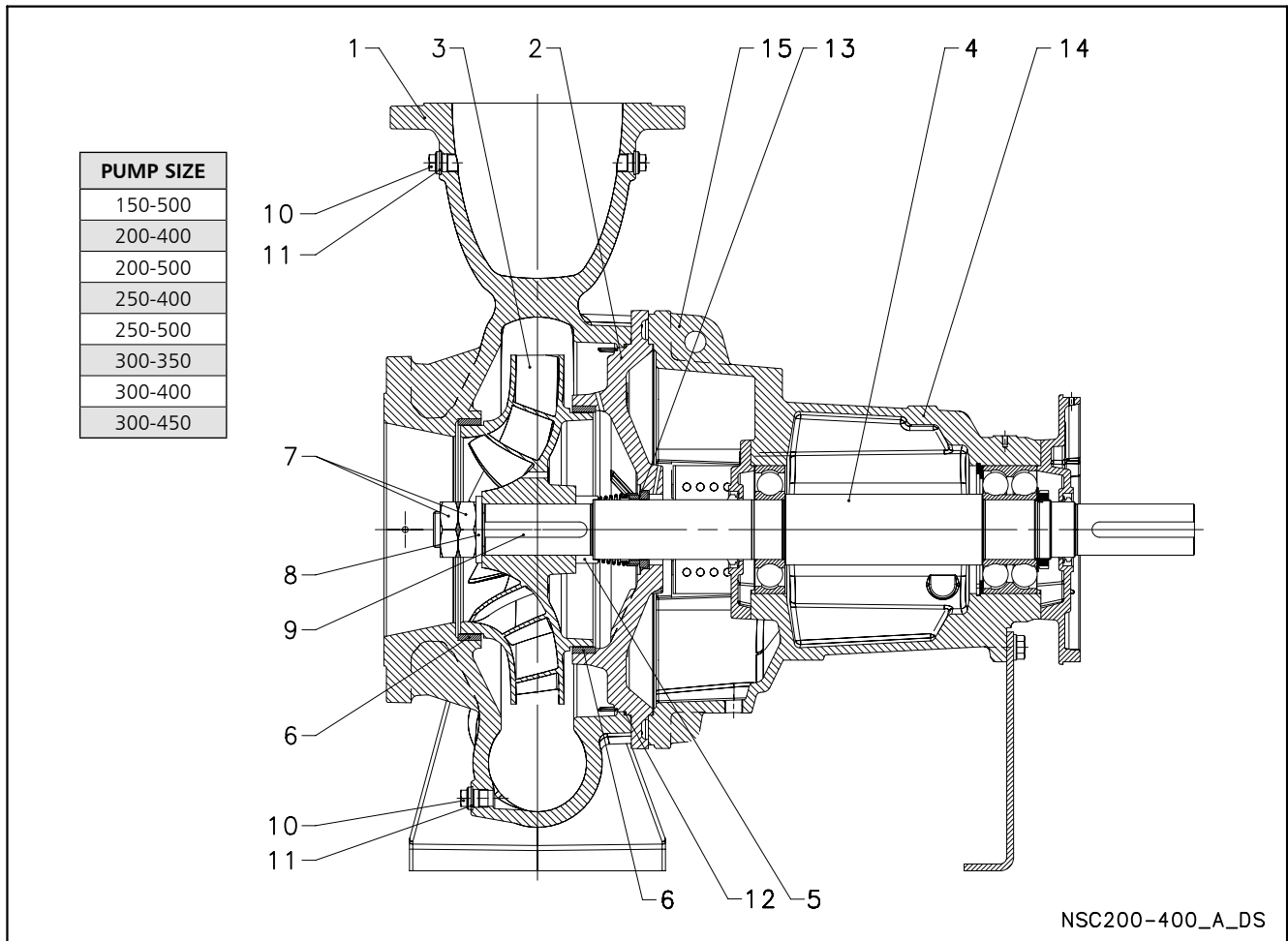


REF. N.	PART	MATERIAL	REFERENCE STANDARDS	
			EUROPE	USA
1	Volute casing	Cast iron	EN 1561 - GJL-250 (JL1040)	ASTM Class 35
	Volute casing (200-250, 200-315, 250/315)	Cast ductile iron	EN 1563 - EN-GJS400-15 (EN-JS1030)	ASTM A536 40-60-18
2	Casing cover	Cast iron	EN 1561 - GJL-250 (JL1040)	ASTM Class 35
	Casing cover (200-250, 200-315, 250/315)	Cast ductile iron	EN 1563 - EN-GJS400-15 (EN-JS1030)	ASTM A536 40-60-18
3	Impeller	Cast iron	EN 1561 - GJL-200 (JL1030)	ASTM Class 30
	Impeller	Bronze	EN 1982 - CuSn10-C (CC480K)	UNS C90700
4	Shaft	Stainless steel	EN 10088 - X17CrNi16-2 (1.4057)	AISI 431
5	Wear ring	Stainless steel	EN 10088 - X5CrNi18-10 (1.4301)	AISI 304
6	Impeller nut	Stainless steel	A4 (~ 1.4401)	
7	Impeller washer	Stainless steel	A4 (~ 1.4401)	
8	Impeller key	Stainless steel	EN 10088 - X6CrNiMo17-12-2 (1.4571)	AISI 316Ti
9	Plug	Stainless steel	EN 10088 - X6CrNiMo17-12-2 (1.4571)	AISI 316Ti
10	Gasket	Asbestos-free synthetic fiber AFM 34		
11	O-Ring	EPDM (standard version)		
12	Mechanical seal	Carbon / Silicon carbide / EPDM (standard version)		
13	Bearing bracket	Cast iron	EN 1561 - GJL-250 (JL1040)	ASTM Class 35
14	Volute - casing fastening screws	Carbon steel		

Nsc100-200-en_a_tm

NSC, NSCF, NSCC SERIES

ELECTRIC PUMP CROSS-SECTION AND MAIN COMPONENTS

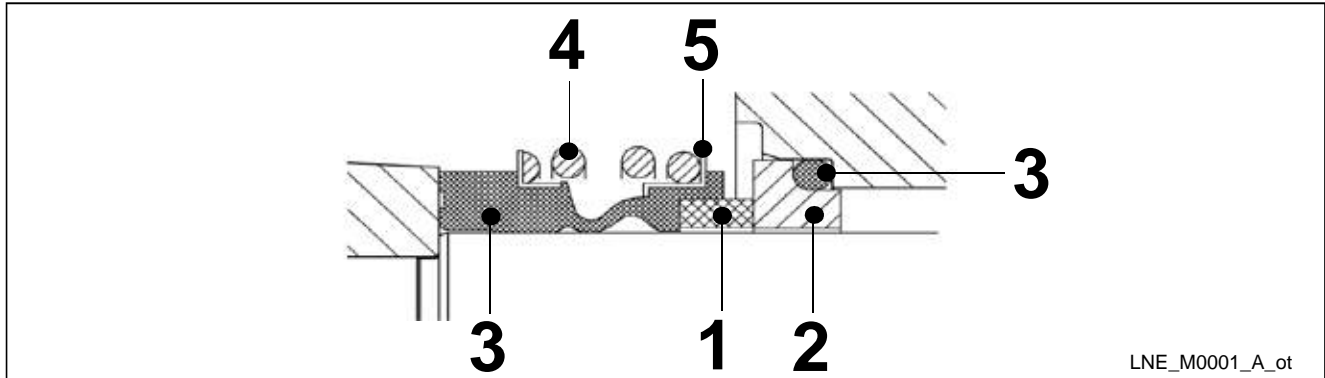


REF. N.	PART	MATERIAL	REFERENCE STANDARDS	
			EUROPE	USA
1	Volute casing	Cast ductile iron	EN 1563 - EN-GJS400-15 (EN-JS1030)	ASTM A536 40-60-18
2	Casing cover	Cast ductile iron	EN 1563 - EN-GJS400-15 (EN-JS1030)	ASTM A536 40-60-18
3	Impeller	Cast iron	EN 1561 - GJL-200 (JL1030)	ASTM Class 30
	Impeller	Bronze	EN 1982 - CuSn10-C (CC480K)	UNS C90700
4	Shaft	Stainless steel	EN 10088 - X17CrNi16-2 (1.4057)	AISI 431
5	Spacer ring	Stainless steel	EN 10088 - X17CrNi16-2 (1.4057)	AISI 431
6	Wear ring	Stainless steel	EN 10088 - X5CrNi18-10 (1.4301)	AISI 304
7	Impeller nut	Stainless steel	A4 (~ 1.4401)	
8	Impeller washer	Stainless steel	A4 (~ 1.4401)	
9	Impeller key	Stainless steel	EN 10088 - X6CrNiMo17-12-2 (1.4571)	AISI 316Ti
10	Plug	Stainless steel	EN 10088 - X6CrNiMo17-12-2 (1.4571)	AISI 316Ti
11	Gasket	Asbestos-free synthetic fiber AFM 34		
12	O-Ring	EPDM (standard version)		
13	Mechanical seal	Carbon / Silicon carbide / EPDM (standard version)		
14	Bearing bracket	Cast iron	EN 1561 - GJL-250 (JL1040)	ASTM Class 35
15	Volute - casing fastening screws	Carbon steel		

Nsc200-400-en_a_tm

e-NSC SERIES MECHANICAL SEALS

Mechanical seal with mounting dimensions according to EN 12756 and ISO 3069.



LNE_M0001_A_ot

LIST OF MATERIALS

POSITION 1 - 2	POSITION 3	POSITION 4 - 5
B : Resin impregnated carbon	E : EPDM	G : AISI 316
A : Antimony impregnated carbon	V : FKM (FPM)	
Q₁ : Silicon carbide		
U₃ : Tungsten carbide		

TYPE OF SEAL

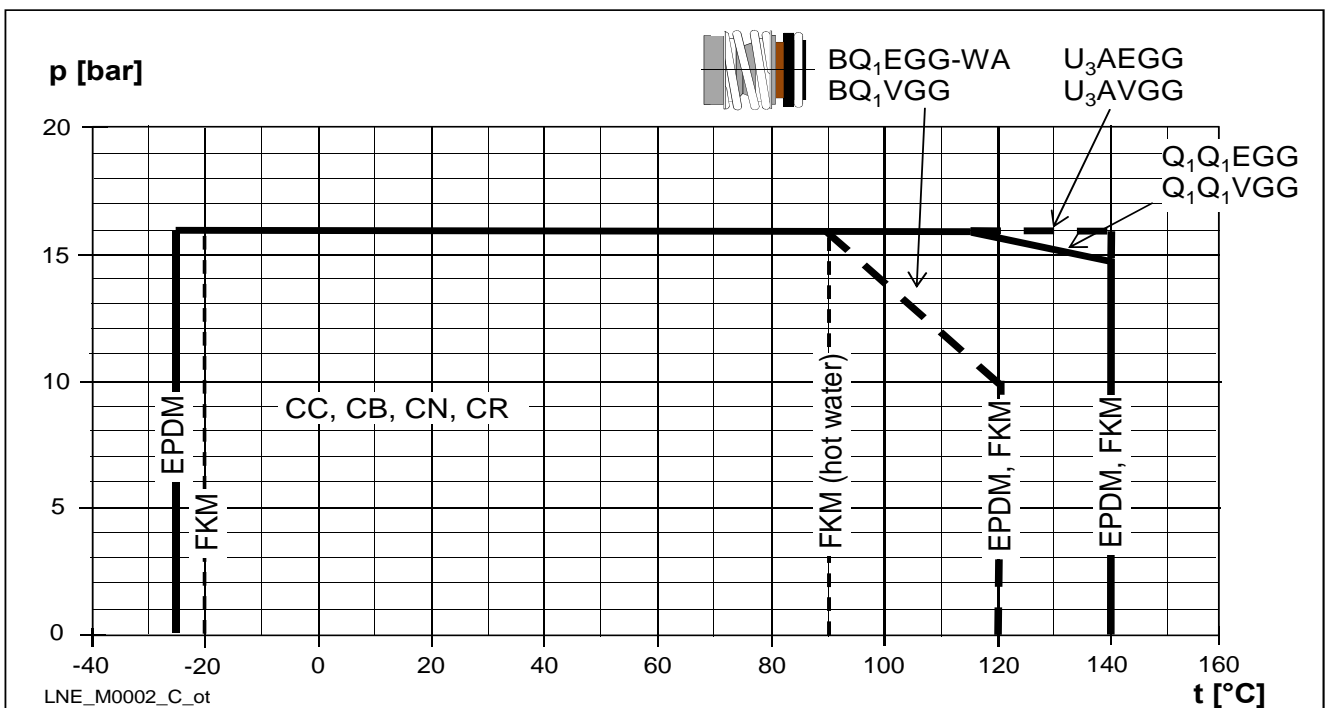
lne-int_ten-mec-en_a_tm

TYPE	POSITION					PRESSURE (bar)	TEMPERATURE (°C)
	1 ROTATING ASSEMBLY	2 FIXED ASSEMBLY	3 ELASTOMERS	4 SPRINGS	5 OTHER COMPONENTS		
STANDARD MECHANICAL SEAL							
B Q ₁ E G G - WA	B	Q ₁	E	G	G	16/10	-25 ... +90/+120
OTHER TYPES OF MECHANICAL SEAL							
B Q ₁ V G G	B	Q ₁	V	G	G	16	-20 ... +120 *)
Q ₁ Q ₁ E G G	Q ₁	Q ₁	E	G	G	16	-25 ... +120
Q ₁ Q ₁ V G G	Q ₁	Q ₁	V	G	G	16	-20 ... +120 *)
U ₃ A E G G	U ₃	A	E	G	G	16	-25 ... +140
U ₃ A V G G	U ₃	A	V	G	G	16	-20 ... +140 *)

*) for hot water: max. +90 °C

lne-int_tipi-ten-mec-en_b_tc

PRESSURE/TEMPERATURE APPLICATION LIMITS FOR COMPLETE PUMP



e-NSC SERIES MOTORS

Over last decade the European Commission with the 'Energy Efficiency Plan' pushed the European Parliament and the Council to adopt specific measures to the purpose of reducing energy consumption and further negative environmental impacts.

Through the Directives 2005/32/EC, energy-using products (EuP), and 2009/125/EC, energy-related products (ErP) a framework for ecodesign requirements was established.

The Commission Regulations (EC) No 640/2009 and (EU) No 4/2014 have implemented two directives with regard to ecodesign requirements for electric motors placed on the market and put into service inside EU zone as self-alone units or integrated in other products.

The various types considered include **three-phase 50 Hz surface motors** with power outputs ranging **from 0,75 to 375 kW included**.

Regulations also establish the following deadlines.

from	kW	minimum level of efficiency (IE)
16 June 2011	0,75 ÷ 375	IE2
27 July 2014	0,75 ÷ 375	new exclusion criteria
1 January 2015	< 7,5	IE2
	7,5 ÷ 375	IE3 IE2 fitted with variable speed drive
1 January 2017	0,75 ÷ 375	IE3
		IE2 fitted with variable speed drive

- Short-circuit squirrel-cage motor, enclosed construction with external ventilation (TEFC).
- Rated power from 1,1 to 200 kW for 2-pole range and from 0,25 to 355 kW for 4-pole range.
- **IP55** protection degree.
- Insulation class **155 (F)**.
- **Standard** three-phase surface motors $\geq 0,75$ kW supplied as **IE3**.
- IE efficiency level according to EN 60034-30:2009 and IEC 60034-30-1:2014 ($\geq 0,75$ kW).
- Electrical performances according to EN 60034-1.
- Metric cable gland according to EN 50262.
- **Single-phase** version:
220-240 V 50 Hz
Built-in automatic reset overload protection up to 1,5 kW. For higher powers the protection must be provided by the user.
- **Three-phase** version:
220-240/380-415 V 50 Hz for power up to 3 kW.
380-415/660-690 V 50 Hz for power above 3 kW.
Overload protection to be provided by the user.
- **PTC included** as standard only for WEG motors (one per phase, 155°C).
- Maximum ambient temperature: 40 °C.

NSCE SERIES SINGLE-PHASE MOTORS AT 50 Hz, 2 POLES

P _N kW	MOTOR TYPE	IEC SIZE*	Construction Design	INPUT CURRENT I _n (A) 220-240 V	CAPACITOR		DATA FOR 230 V 50 Hz VOLTAGE						
					μF	V	min ⁻¹	I _s / I _n	η %	cosφ	T _n Nm	T _s /T _n	T _m /T _n
1,1	SM90RB14S2/1115	90R	B14	6,88-6,65	30	450	2800	3,89	74,7	0,96	3,75	0,46	1,72
1,5	SM90RB14S2/1155	90R	B14	9,21-8,58	40	450	2810	4,00	76,1	0,98	5,15	0,39	1,74
2,2	PLM90B14S2/1225	90	B14	12,5-11,6	70	450	2825	4,47	82,4	0,97	7,43	0,53	1,87

* R = Reduced size of motor casing as compared to shaft extension and flange.

Nsce-motm-2p50-en_a_te

NSCE SERIES THREE-PHASE MOTORS AT 50 Hz, 2 POLES

P _N kW	Efficiency η_N															IE	Year of manufacture	
	%																	
	Δ 220 V Y 380 V			Δ 230 V Y 400 V			Δ 240 V Y 415 V			Δ 380 V Y 660 V			Δ 400 V Y 690 V					Δ 415 V
	4/4	3/4	2/4	4/4	3/4	2/4	4/4	3/4	2/4	4/4	3/4	2/4	4/4	3/4	2/4	4/4	3/4	2/4
1,1	84,0	84,7	83,4	84,4	84,5	82,5	84,3	84,0	81,4	84,0	84,0	81,4	84,0	84,0	81,4	84,0	84,0	81,4
1,5	85,6	86,5	85,8	85,9	86,4	84,9	86,0	86,0	84,0	85,6	86,0	84,0	85,6	86,0	84,0	85,6	86,0	84,0
2,2	86,5	87,4	86,8	86,4	86,9	85,7	86,6	86,7	85,0	86,4	86,7	85,0	86,4	86,7	85,0	86,4	86,7	85,0
3	87,2	88,5	88,3	87,5	88,2	87,5	87,5	87,8	86,4	87,2	87,8	86,4	87,2	87,8	86,4	87,2	87,8	86,4
4	89,1	90,1	89,2	89,1	90,1	89,2	89,1	90,1	89,2	89,1	90,3	90,4	89,6	90,4	89,9	89,6	90,1	89,2
5,5	89,5	89,6	88,0	89,5	89,6	88,0	89,5	89,6	88,0	89,5	90,3	89,9	89,7	90,0	89,0	89,6	89,6	88,0
7,5	90,6	90,5	89,0	90,6	90,5	89,0	90,6	90,5	89,0	90,6	91,0	90,2	90,8	90,8	89,6	90,7	90,5	89,0
9,2	90,8	91,0	89,7	90,8	91,0	89,7	90,8	91,0	89,7	90,8	91,4	90,8	91,1	91,3	90,3	91,1	91,0	89,7
11	91,3	92,0	91,1	91,3	92,0	91,1	91,3	92,0	91,1	91,3	92,2	92,2	91,6	92,2	91,7	91,7	92,0	91,1
15	92,5	92,4	91,2	92,5	92,4	91,2	92,5	92,4	91,2	92,7	93,3	92,9	93,1	93,3	92,7	92,5	92,4	91,2
18,5	92,6	93,1	92,4	92,6	93,1	92,4	92,6	93,1	92,4	92,6	93,2	93,0	92,9	93,3	92,8	92,9	93,1	92,4
22	93,0	92,7	91,3	93,0	92,7	91,3	93,0	92,7	91,3	93,0	93,2	92,4	93,1	93,0	91,9	93,0	92,7	91,3

P _N kW	Manufacturer		IEC SIZE*	Construction Design	N. of Poles	f _N Hz	Data for 400 V / 50 Hz Voltage													
	Xylem Service Italia Srl Reg. No. 07520560967 Montecchio Maggiore Vicenza - Italia						cosφ	I _s / I _N	T _N Nm	T _s /T _N	T _m /T _N									
	Model																			
1,1	SM90RB14S2/311 PE		90R	SPECIAL	2	50	0,79	8,31	3,63	3,95	3,95									
1,5	SM90RB14S2/315 PE		90R				0,80	8,80	4,96	4,31	4,10									
2,2	PLM90B14S2/322 E3		90				0,80	8,77	7,28	3,72	3,70									
3	PLM90B14S2/330 E3		90				0,79	7,81	9,93	4,26	3,94									
4	PLM112RB14S2/340 E3		112R				0,85	9,13	13,2	3,82	4,32									
5,5	PLM1122FHE/355 E3		112				SPECIAL	2	50	0,85	10,5	18,1	4,74	5,11						
	PLM112B14S2/355 E3		112							0,85	10,2	24,4	3,43	4,76						
7,5	PLM1322FHE/375 E3		132							SPECIAL	2	50	0,85	10,1	30,0	3,73	4,81			
	PLM132B14S2/375 E3		132										0,86	9,89	35,9	3,46	4,59			
	PLM132B14S3/375 E3		132										0,88	9,51	48,6	2,73	4,32			
9,2	PLM132B14S2/392 E3		132										SPECIAL	2	50	0,88	9,81	59,9	2,81	4,53
	PLM132B14S3/392 E3		132													0,85	10,9	71,1	3,26	5,12
11	PLM132B14S2/3110 E3		132	SPECIAL	2	50										0,85	10,9	71,1	3,26	5,12
	PLM132B14S3/3110 E3		132													0,85	10,9	71,1	3,26	5,12
15	PLM160B34S3/3150 E3		160													0,85	10,9	71,1	3,26	5,12
18,5	PLM160B34S3/3185 E3		160													0,85	10,9	71,1	3,26	5,12
22	PLM160B34S3/3220 E3		160													0,85	10,9	71,1	3,26	5,12

P _N kW	Voltage U _N										n _N min ⁻¹	Observe the regulations and codes locally in force regarding sorted waste disposal.	Operating conditions **		
	V												Altitude Above Sea Level (m)	T. amb min/max °C	ATEX
	Δ			Y			Δ			Y					
	220 V	230 V	240 V	380 V	400 V	415 V	380 V	400 V	415 V	660 V	690 V				
1,1	4,19	4,14	4,16	2,42	2,39	2,40	2,41	2,38	2,38	1,39	1,37	2870 ÷ 2900	≤ 1000	-15 / 40	No
1,5	5,56	5,49	5,51	3,21	3,17	3,18	3,21	3,18	3,19	1,85	1,84	2870 ÷ 2895			
2,2	7,97	7,90	7,98	4,6	4,56	4,61	4,57	4,54	4,57	2,64	2,62	2880 ÷ 2900			
3	11,0	11,0	11,2	6,35	6,33	6,44	6,29	6,27	6,34	3,63	3,62	2865 ÷ 2895			
4	13,6	13,4	13,4	7,87	7,75	7,74	7,80	7,62	7,61	4,50	4,40	2885 ÷ 2910			
5,5	18,1	17,9	18,1	10,4	10,4	10,4	10,6	10,5	10,7	6,10	6,05	2880 ÷ 2910			
7,5	24,8	24,4	24,3	14,3	14,1	14,0	14,4	14,1	14,2	8,32	8,16	2920 ÷ 2935			
9,2	30,6	30,1	30,2	17,6	17,4	17,5	17,5	17,2	17,3	10,1	9,93	2920 ÷ 2935			
11	35,7	35,0	34,9	20,6	20,2	20,2	20,6	20,2	20,2	11,9	11,7	2910 ÷ 2930			
15	47,6	46,1	45,2	27,5	26,6	26,1	27,5	26,6	26,1	15,9	15,3	2940 ÷ 2950			
18,5	58,3	56,7	55,6	33,7	32,7	32,1	34,0	33,0	32,7	19,6	19,0	2940 ÷ 2950			
22	72,9	73,1	73,7	42,1	42,2	42,6	40,9	40,4	40,6	23,6	23,3	2950 ÷ 2960			

* R = Reduced size of motor casing as compared to shaft extension and flange.

** Operating conditions to be referred to motor only. About electric pump, refer to limits in user's manual.

NSCS SERIES

THREE-PHASE MOTORS AT 50 Hz, 2 POLES (up to 22 kW)

P _N kW	Efficiency η_N %																		IE	Year of manufacture
	Δ 220 V Y 380 V			Δ 230 V Y 400 V			Δ 240 V Y 415 V			Δ 380 V Y 660 V			Δ 400 V Y 690 V			Δ 415 V				
	4/4	3/4	2/4	4/4	3/4	2/4	4/4	3/4	2/4	4/4	3/4	2/4	4/4	3/4	2/4	4/4	3/4	2/4		
1,1	84,0	84,7	83,4	84,4	84,5	82,5	84,3	84,0	81,4	84,0	84,0	81,4	84,0	84,0	81,4	84,0	84,0	81,4	3	From 11/2014
1,5	85,6	86,5	85,8	85,9	86,4	84,9	86,0	86,0	84,0	85,6	86,0	84,0	85,6	86,0	84,0	85,6	86,0	84,0		
2,2	86,5	87,4	86,8	86,4	86,9	85,7	86,6	86,7	85,0	86,4	86,7	85,0	86,4	86,7	85,0	86,4	86,7	85,0		
3	87,2	88,5	88,3	87,5	88,2	87,5	87,5	87,8	86,4	87,2	87,8	86,4	87,2	87,8	86,4	87,2	87,8	86,4		
4	89,1	90,1	89,2	89,1	90,1	89,2	89,1	90,1	89,2	89,1	90,3	90,4	89,6	90,4	89,9	89,6	90,1	89,2		
5,5	89,5	89,6	88,0	89,5	89,6	88,0	89,5	89,6	88,0	89,5	90,3	89,9	89,7	90,0	89,0	89,6	89,6	88,0		
7,5	90,6	90,5	89,0	90,6	90,5	89,0	90,6	90,5	89,0	90,6	91,0	90,2	90,8	90,8	89,6	90,7	90,5	89,0		
11	91,8	92,3	91,5	91,8	92,3	91,5	91,8	92,3	91,5	91,8	92,3	91,9	92,2	92,5	91,8	92,3	92,4	91,5		
15	92,5	92,4	91,2	92,5	92,4	91,2	92,5	92,4	91,2	92,7	93,3	92,9	93,1	93,3	92,7	92,5	92,4	91,2		
18,5	92,6	93,1	92,4	92,6	93,1	92,4	92,6	93,1	92,4	92,6	93,2	93,0	92,9	93,3	92,8	92,9	93,1	92,4		
22	93,0	92,7	91,3	93,0	92,7	91,3	93,0	92,7	91,3	93,0	93,2	92,4	93,1	93,0	91,9	93,0	92,7	91,3		

P _N kW	Manufacturer		IEC SIZE*	Construction Design	N. of Poles	f _N Hz	Data for 400 V / 50 Hz Voltage				
	Xylem Service Italia Srl Reg. No. 07520560967 Montecchio Maggiore Vicenza - Italia						cos ϕ	I _s / I _N	T _N Nm	T _s /T _N	T _m /T _N
	Model										
1,1	SM80B5/311 PE		80	B5	2	50	0,79	8,31	3,63	3,95	3,95
1,5	SM90RB5/315 PE		90R				0,80	8,80	4,96	4,31	4,10
2,2	PLM90B5/322 E3		90				0,80	8,77	7,28	3,72	3,70
3	PLM100RB5/330 E3		100R				0,79	7,81	9,93	4,26	3,94
4	PLM112RB5/340 E3		112R				0,85	9,13	13,2	3,82	4,32
5,5	PLM132RB5/355 E3		132R				0,85	10,5	18,1	4,74	5,11
7,5	PLM132B5/375 E3		132				0,85	10,2	24,4	3,43	4,76
11	PLM160B35/3110 E3		160				0,88	8,59	35,6	2,36	4,14
15	PLM160B35/3150 E3		160				0,88	9,51	48,6	2,73	4,32
18,5	PLM160B35/3185 E3		160				0,88	9,81	59,9	2,81	4,53
22	PLM180RB35/3220 E3		180R				0,85	10,9	71,1	3,26	5,12

P _N kW	Voltage U _N V										n _N min ⁻¹	Observe the regulations and codes locally in force regarding sorted waste disposal.	Operating conditions **			
	Δ			Y			Δ			Y			Altitude Above Sea Level (m)	T. amb min/max °C	ATEX	
	220 V	230 V	240 V	380 V	400 V	415 V	380 V	400 V	415 V	660 V						690 V
1,1	4,19	4,14	4,16	2,42	2,39	2,40	2,41	2,38	2,38	1,39	1,37	2870 ÷ 2900	≤ 1000	-15 / 40	No	
1,5	5,56	5,49	5,51	3,21	3,17	3,18	3,21	3,18	3,19	1,85	1,84	2870 ÷ 2895				
2,2	7,97	7,90	7,98	4,6	4,56	4,61	4,57	4,54	4,57	2,64	2,62	2880 ÷ 2900				
3	11,0	11,0	11,2	6,35	6,33	6,44	6,29	6,27	6,34	3,63	3,62	2865 ÷ 2895				
4	13,6	13,4	13,4	7,87	7,75	7,74	7,80	7,62	7,61	4,50	4,40	2885 ÷ 2910				
5,5	18,1	17,9	18,1	10,4	10,4	10,4	10,6	10,5	10,7	6,10	6,05	2880 ÷ 2910				
7,5	24,8	24,4	24,3	14,3	14,1	14,0	14,4	14,1	14,2	8,32	8,16	2920 ÷ 2935				
11	35,0	33,9	33,0	20,2	19,6	19,1	20,4	19,6	19,2	11,8	13,3	2935 ÷ 2950				
15	47,6	46,1	45,2	27,5	26,6	26,1	27,5	26,6	26,1	15,9	15,3	2940 ÷ 2950				
18,5	58,3	56,7	55,6	33,7	32,7	32,1	34,0	33,0	32,7	19,6	19,0	2940 ÷ 2950				
22	72,9	73,1	73,7	42,1	42,2	42,6	40,9	40,4	40,6	23,6	23,3	2950 ÷ 2960				

* R = Reduced size of motor casing as compared to shaft extension and flange.

Nscs-IE3-mott-2p50-en_a_te

** Operating conditions to be referred to motor only. About electric pump, refer to limits in user's manual.

NSCS SERIES
THREE-PHASE MOTORS AT 50 Hz, 2 POLES (from 30 to 90 kW)

P _N kW	Efficiency η_N %									IE	Year of manufacture
	Δ 380 V Y 660 V			Δ 400 V Y 690 V			Δ 415 V				
	4/4	3/4	2/4	4/4	3/4	2/4	4/4	3/4	2/4		
30	94,0	94,0	93,1	94,1	94,0	92,8	94,2	93,9	92,6	3	from 11/2014
37	94,4	94,0	93,5	94,6	94,0	93,3	94,7	93,9	93,1		
45	94,8	94,9	94,6	95,1	95,1	94,6	95,3	95,2	94,5		
55	95,1	95,0	94,9	95,4	95,3	94,9	95,5	95,3	94,8		
75	95,4	95,2	94,6	95,6	95,3	94,5	95,7	95,3	94,4		
90	95,6	95,5	94,9	95,8	95,6	94,8	95,9	95,6	94,7		

P _N kW	Manufacturer		IEC SIZE	Construction Design	N. of Poles	f _N Hz	Data for 400 V / 50 Hz Voltage				
	WEG Equipamentos Elétricos S.A. Reg. No. 07.175.725/0010-50 Jaraguá do Sul - SC (Brazil)						cos ϕ	I _s / I _N	T _N Nm	T _s /T _N	T _m /T _n
	Model										
30	W22 200L B35 30KW E3		200	B35	2	50	0,86	7,30	96,60	2,60	2,90
37	W22 200L B35 37KW E3		200				0,86	7,30	119,20	2,60	2,90
45	W22 225S/M B35 45KW E3		225				0,88	8,00	144,70	2,70	3,20
55	W22 250S/M B35 55KW E3		250				0,89	7,90	177,10	2,80	2,90
75	W22 280S/M B35 75KW E3		280				0,90	7,60	240,3	2,30	2,90
90	W22 280S/M B35 90KW E3		280				0,90	7,40	288,4	2,20	2,80

P _N kW	Voltage U _N V					n _N min ⁻¹	Operating conditions **			
	Δ			Y			See note:	Altitude Above Sea Level (m)	T. amb min/max °C	ATEX
	380 V	400 V	415 V	660 V	690 V					
	I _N (A)									
30	55,10	53,50	52,70	31,70	31,00	2960 ÷ 2970	≤ 1000	-15 / 40	No	
37	67,70	65,60	64,70	39,00	38,00	2960 ÷ 2970				
45	80,10	77,60	74,60	46,10	45,00	2965 ÷ 2970				
55	97,60	93,50	91,00	56,20	54,20	2960 ÷ 2965				
75	131,00	126,00	121,00	75,40	73,00	2975 ÷ 2980				
90	159,00	151,00	145,00	91,50	87,50	2975 ÷ 2980				

** Operating conditions to be referred to motor only. About electric pump, refer to limits in user's manual.

Nscs-mott90-2p50-en_b_te

Note: Observe the regulations and codes locally in force regarding sorted waste disposal.

NSCF, NSCC SERIES

THREE-PHASE MOTORS AT 50 Hz, 2 POLES (up to 18,5 kW)

P _N kW	Efficiency η_N															IE	Year of manufacture	
	%																	
	Δ 220 V Y 380 V			Δ 230 V Y 400 V			Δ 240 V Y 415 V			Δ 380 V Y 660 V			Δ 400 V Y 690 V					Δ 415 V
	4/4	3/4	2/4	4/4	3/4	2/4	4/4	3/4	2/4	4/4	3/4	2/4	4/4	3/4	2/4	4/4	3/4	2/4
1,1	84,0	84,7	83,4	84,4	84,5	82,5	84,3	84,0	81,4	84,0	84,0	81,4	84,0	84,0	81,4	84,0	84,0	81,4
1,5	84,6	85,8	85,4	85,5	86,3	85,2	85,9	86,2	84,8	84,6	85,8	84,8	84,6	85,8	84,8	84,6	85,8	84,8
2,2	86,5	87,4	86,8	86,4	86,9	85,7	86,6	86,7	85,0	86,4	86,7	85,0	86,4	86,7	85,0	86,4	86,7	85,0
3	88,7	89,5	89,1	89,1	89,5	88,4	89,1	89,1	87,7	88,7	89,1	87,7	88,7	89,1	87,7	88,7	89,1	87,7
4	88,6	89,0	87,6	88,6	89,0	87,6	88,6	89,0	87,6	88,7	89,6	89,1	88,6	89,2	88,3	88,9	89,0	87,6
5,5	90,1	89,8	88,0	90,1	89,8	88,0	90,1	89,8	88,0	90,2	90,5	89,5	90,3	90,2	88,8	90,1	89,8	88,0
7,5	90,6	90,5	89,0	90,6	90,5	89,0	90,6	90,5	89,0	90,6	91,0	90,2	90,8	90,8	89,6	90,7	90,5	89,0
11	91,8	92,3	91,5	91,8	92,3	91,5	91,8	92,3	91,5	91,8	92,3	91,9	92,2	92,5	91,8	92,3	92,4	91,5
15	92,5	92,4	91,2	92,5	92,4	91,2	92,5	92,4	91,2	92,7	93,3	92,9	93,1	93,3	92,7	92,5	92,4	91,2
18,5	92,6	93,1	92,4	92,6	93,1	92,4	92,6	93,1	92,4	92,6	93,2	93,0	92,9	93,3	92,8	92,9	93,1	92,4

P _N kW	Manufacturer		IEC SIZE*	Construction Design	N. of Poles	f _N Hz	Data for 400 V / 50 Hz Voltage				
	Lowara srl Unipersonale Reg. No. 03471820260 Montecchio Maggiore Vicenza - Italia						cosφ	I _s / I _N	T _N Nm	T _s /T _N	T _m /T _N
	Model										
1,1	SM80B3/311 PE		80	B3	2	50	0,79	8,31	3,63	3,95	3,95
1,5	PLM90B3/315 E3		90				0,86	8,04	4,96	3,34	3,27
2,2	PLM90B3/322 E3		90				0,80	8,77	7,28	3,72	3,70
3	PLM100B3/330 E3		100				0,84	9,65	9,84	3,59	4,26
4	PLM112B3/340 E3		112				0,86	9,41	13,2	3,95	4,46
5,5	PLM132B3/355 E3		132				0,83	10,0	17,9	3,33	4,65
7,5	PLM132B3/375 E3		132				0,85	10,2	24,4	3,43	4,76
11	PLM160B3/3110 E3		160				0,88	8,59	35,6	2,36	4,14
15	PLM160B3/3150 E3		160				0,88	9,51	48,6	2,73	4,32
18,5	PLM160B3/3185 E3		160				0,88	9,81	59,9	2,81	4,53

P _N kW	Tensione U _N										n _N min ⁻¹	Observe the regulations and codes locally in force regarding sorted waste disposal.	Operating conditions **		
	V												Altitude Above Sea Level (m)	T. amb min/max °C	ATEX
	Δ			Y			Δ			Y					
	220 V	230 V	240 V	380 V	400 V	415 V	380 V	400 V	415 V	660 V	690 V				
	I _N (A)														
1,1	4,19	4,14	4,16	2,42	2,39	2,4	2,41	2,38	2,38	1,39	1,37	2870 ÷ 2900	≤ 1000	-15 / 40	No
1,5	5,35	5,11	5,04	3,09	2,95	2,91	3,09	2,96	2,91	1,78	1,71	2865 ÷ 2890			
2,2	7,97	7,90	7,98	4,6	4,56	4,61	4,57	4,54	4,57	2,64	2,62	2880 ÷ 2900			
3	10,2	10,0	10,1	5,91	5,79	5,82	5,94	5,83	5,87	3,43	3,37	2895 ÷ 2920			
4	13,3	13,1	13,1	7,69	7,56	7,55	7,70	7,56	7,57	4,45	4,36	2885 ÷ 2905			
5,5	18,9	18,8	18,9	10,9	10,9	10,9	10,7	10,6	10,7	6,2	6,14	2925 ÷ 2940			
7,5	24,8	24,4	24,3	14,3	14,4	14,0	14,4	14,1	14,2	8,32	8,16	2920 ÷ 2935			
11	35,0	33,9	33,0	20,2	19,6	19,1	20,4	19,6	19,2	11,8	11,3	2935 ÷ 2950			
15	47,6	46,1	45,2	27,5	26,6	26,1	27,5	26,6	26,1	15,9	15,3	2940 ÷ 2950			
18,5	58,3	56,7	55,6	33,7	32,7	32,1	34	33,0	32,7	19,6	19,0	2940 ÷ 2950			

** Operating conditions to be referred to motor only. About electric pump, refer to limits in user's manual.

NSCF, NSCC SERIES

THREE-PHASE MOTORS AT 50 Hz, 2 POLES (from 22 to 200 kW)

P _N kW	Efficiency η_N %									IE	Year of manufacture
	Δ 380 V Y 660 V			Δ 400 V Y 690 V			Δ 415 V				
	4/4	3/4	2/4	4/4	3/4	2/4	4/4	3/4	2/4		
22	93,4	93,2	92,7	93,7	93,3	92,5	93,8	93,3	92,3	3	from 11/2014
30	94,0	94,0	93,1	94,1	94,0	92,8	94,2	93,9	92,6		
37	94,4	94,0	93,5	94,6	94,0	93,3	94,7	93,9	93,1		
45	94,8	94,9	94,6	95,1	95,1	94,6	95,3	95,2	94,5		
55	95,1	95,0	94,9	95,4	95,3	94,9	95,5	95,3	94,8		
75	95,4	95,2	94,6	95,6	95,3	94,5	95,7	95,3	94,4		
90	95,6	95,5	94,9	95,8	95,6	94,8	95,9	95,6	94,7		
110	96,0	95,7	94,8	96,1	95,7	94,7	96,1	95,7	94,6		
132	96,1	95,8	95,3	96,3	95,9	95,2	96,4	95,9	95,1		
160	96,4	96,1	95,7	96,6	96,2	95,6	96,7	96,2	95,5		
200	96,5	96,4	96,0	96,7	96,5	96,0	96,8	96,5	95,9		

P _N kW	Manufacturer		IEC SIZE	Construction Design	N. of Poles	f _N Hz	Data for 400 V / 50 Hz Voltage				
	WEG Equipamentos Eletricos S.A. Reg. No. 07.175.725/0010-50 Jaragua do Sul - SC (Brazil)						cos ϕ	I _s / I _N	T _N Nm	T _s /T _N	T _m /T _N
	Model										
22	W22 180M B3 22KW E3		180	B3	2	50	0,87	8,00	71,10	2,50	3,30
30	W22 200L B3 30KW E3		200				0,86	7,30	96,60	2,60	2,90
37	W22 200L B3 37KW E3		200				0,86	7,30	119,20	2,60	2,90
45	W22 225S/M B3 45KW E3		225				0,88	8,00	144,70	2,70	3,20
55	W22 250S/M B3 55KW E3		250				0,89	7,90	177,1	2,80	2,90
75	W22 280S/M B3 75KW E3		280				0,90	7,60	240,3	2,30	2,90
90	W22 280S/M-B3 90kW E3		280				0,90	7,40	288,4	2,20	2,80
110	W22 315S/M-B3 110kW E3		315				0,89	7,60	352,5	2,50	3,00
132	W22 315S/M-B3 132kW E3		315				0,90	7,50	423,0	2,10	2,80
160	W22 315S/M-B3 160kW E3		315				0,91	7,90	512,7	2,30	2,80
200	W22 315L-B3 200kW E3		315				0,90	8,20	640,9	2,60	2,80

P _N kW	Voltage U _N V					n _N min ⁻¹	Operating conditions **		
	Δ			Y			Altitude Above Sea Level (m)	T. amb min/max °C	ATEX
	380 V	400 V	415 V	660 V	690 V				
	I _N (A)								
22	40,70	39,00	37,90	23,40	22,60	2950 ÷ 2960	See note: ≤ 1000	-15 /+ 40	No
30	55,10	53,50	52,70	31,70	31,00	2960 ÷ 2970			
37	67,70	65,60	64,70	39,00	38,00	2960 ÷ 2970			
45	80,10	77,60	74,60	46,10	45,00	2965 ÷ 2970			
55	97,60	93,50	91,00	56,20	54,20	2960 ÷ 2965			
75	131,0	126,0	121,0	75,40	73,00	2975 ÷ 2980			
90	159,0	151,0	145,0	91,50	87,50	2975 ÷ 2980			
110	193,0	186,0	181,0	111,0	108,0	2975 ÷ 2980			
132	232,0	220,0	212,0	134,0	128,0	2975 ÷ 2980			
160	274,0	263,0	253,0	158,0	152,0	2975 ÷ 2980			
200	346,0	332,0	319,0	199,0	192,0	2975 ÷ 2980			

** Operating conditions to be referred to motor only. About electric pump, refer to limits in user's manual.

Nscf-mott200-2p50-en_b_te

Note: Observe the regulations and codes locally in force regarding sorted waste disposal.

NSCE SERIES THREE-PHASE MOTORS AT 50 Hz, 4 POLES

P _N kW	Efficiency η_N																		IE	Year of manufacture		
	%																					
	Δ 220 V Y 380 V			Δ 230 V Y 400 V			Δ 240 V Y 415 V			Δ 380 V Y 660 V			Δ 400 V Y 690 V			Δ 415 V						
	4/4	3/4	2/4	4/4	3/4	2/4	4/4	3/4	2/4	4/4	3/4	2/4	4/4	3/4	2/4	4/4	3/4	2/4				
0,25	-	-	-	-	-	-	-	-	-	-	-	-	-	-	-	-	-	-	-	-	-	-
0,37	-	-	-	-	-	-	-	-	-	-	-	-	-	-	-	-	-	-	-	-	-	-
0,55	-	-	-	-	-	-	-	-	-	-	-	-	-	-	-	-	-	-	-	-	-	-
0,75	80,4	81,3	79,8	81,1	81,4	79,1	81,4	81,2	78,4	80,4	81,2	78,4	80,4	81,2	78,4	80,4	81,2	78,4	2	06/2011		
1,1	84,9	85,7	84,7	85,3	85,5	83,8	85,3	85,0	82,7	84,9	85,0	82,7	84,9	85,0	82,7	84,9	85,0	82,7	3	from 11/2014		
1,5	86,6	87,0	85,7	86,7	86,9	84,5	86,4	85,9	83,3	86,4	85,9	83,3	86,4	85,9	83,3	86,4	85,9	83,3				
2,2	87,6	88,6	88,3	88,2	88,8	87,9	88,5	88,7	87,4	87,6	88,6	87,4	87,6	88,6	87,4	87,6	88,6	87,4				
3	88,5	89,2	88,5	88,6	88,9	87,6	88,6	88,6	86,8	88,5	88,6	86,8	88,5	88,6	86,8	88,5	88,6	86,8				
4	88,6	89,1	87,9	88,6	89,1	87,9	88,6	89,1	87,9	88,6	89,2	88,9	88,6	89,2	88,4	88,8	89,1	87,9				

P _N kW	Manufacturer		IEC SIZE*	Construction Design	N. of Poles	f _N Hz	Data for 400 V / 50 Hz Voltage				
	Xylem Service Italia Srl Reg. No. 07520560967 Montecchio Maggiore Vicenza - Italia						cosφ	I _s / I _N	T _N Nm	T _s /T _N	T _m /T _N
	Model										
0,25	SM471B5/302		71	B5	4	50	0,59	3,58	1,71	3,16	2,63
0,37	SM471B5/304		71				0,60	3,39	2,57	3,40	2,47
0,55	SM490RB14S2/305		90R				0,67	3,95	3,77	2,45	2,38
0,75	LLM490RB14S2/307		90R				0,75	5,78	5,03	2,77	3,31
1,1	PLM4902FHE/311 E3		90	SPECIAL	4	50	0,71	6,22	7,28	2,75	3,44
	PLM490B5S2/311 E3		90				0,68	6,92	9,89	3,29	4,01
1,5	PLM490B5S2/315 E3		90				0,78	7,47	14,5	2,38	3,69
2,2	PLM4100B5S3/322 E3		100				0,74	7,75	19,7	2,48	4,21
3	PLM4100B5S3/330 E3		100				0,79	8,32	26,3	3,19	4,02
4	PLM4112B5S3/340 E3		112								

P _N kW	Voltage U _N V											n _N min ⁻¹	Observe the regulations and codes locally in force regarding sorted waste disposal.	Operating conditions **		
	Δ			Y			Δ			Y				Altitude Above Sea Level (m)	T. amb min/max °C	ATEX
	220 V	230 V	240 V	380 V	400 V	415 V	380 V	400 V	415 V	660 V	690 V					
	I _N (A)															
0,25	1,68	1,71	1,77	0,97	0,99	1,02	-	-	-	-	-	1375 ÷ 1400				
0,37	2,46	2,53	2,62	1,42	1,46	1,51	-	-	-	-	-	1355 ÷ 1380				
0,55	2,98	3,03	3,1	1,72	1,75	1,79	-	-	-	-	-	1380 ÷ 1400				
0,75	3,08	3,03	3,01	1,78	1,75	1,74	1,78	1,75	1,74	1,03	1,01	1410 ÷ 1430				
1,1	4,61	4,59	4,62	2,66	2,65	2,67	2,64	2,63	2,65	1,53	1,52	1435 ÷ 1445				
1,5	6,34	6,41	6,41	3,66	3,70	3,70	3,65	3,68	3,69	2,11	2,13	1440 ÷ 1450				
2,2	8,19	8,04	7,97	4,73	4,64	4,60	4,70	4,62	4,56	2,71	2,67	1445 ÷ 1455				
3	11,5	11,5	11,5	6,66	6,62	6,67	6,63	6,59	6,63	3,83	3,81	1450 ÷ 1460				
4	14,8	14,6	14,5	8,52	8,40	8,36	8,40	8,23	8,19	4,85	4,75	1445 ÷ 1455				

* R = Reduced size of motor casing as compared to shaft extension and flange.

Nsce-IE3-mott-4p50-en_a_te

** Operating conditions to be referred to motor only. About electric pump, refer to limits in user's manual.

NSCS SERIES THREE-PHASE MOTORS AT 50 Hz, 4 POLES

P _N kW	Efficiency η_N %																		Year of manufacture				
	Δ 220 V Y 380 V			Δ 230 V Y 400 V			Δ 240 V Y 415 V			Δ 380 V Y 660 V			Δ 400 V Y 690 V			Δ 415 V				IE			
	4/4	3/4	2/4	4/4	3/4	2/4	4/4	3/4	2/4	4/4	3/4	2/4	4/4	3/4	2/4	4/4	3/4	2/4					
0,55	-	-	-	-	-	-	-	-	-	-	-	-	-	-	-	-	-	-	-	-	2011		
0,75	80,4	81,3	79,8	81,1	81,4	79,1	81,4	81,2	78,4	80,4	81,2	78,4	80,4	81,2	78,4	80,4	81,2	78,4	80,4	81,2	78,4	2	from 11/2014
1,1	84,9	85,7	84,7	85,3	85,5	83,8	85,3	85	82,7	84,9	85	82,7	84,9	85	82,7	84,9	85	82,7	84,9	85	82,7	3	
1,5	86,6	87	85,7	86,7	86,9	84,5	86,4	85,9	83,3	86,4	85,9	83,3	86,4	85,9	83,3	86,4	85,9	83,3	86,4	85,9	83,3	3	
2,2	87,6	88,6	88,3	88,2	88,8	87,9	88,5	88,7	87,4	87,6	88,6	87,4	87,6	88,6	87,4	87,6	88,6	87,4	87,6	88,6	87,4	3	
3	88,5	89,2	88,5	88,6	88,9	87,6	88,6	88,6	86,8	88,5	88,6	86,8	88,5	88,6	86,8	88,5	88,6	86,8	88,5	88,6	86,8	3	
4	88,6	89,1	87,9	88,6	89,1	87,9	88,6	89,1	87,9	88,6	89,2	88,9	88,6	89,2	88,4	88,8	89,1	87,9	88,6	89,1	87,9	3	
5,5	90,4	90,9	89,7	90,4	90,9	89,7	90,4	90,9	89,7	90,4	91,0	90,5	90,9	91,1	90,2	90,9	90,9	89,7	90,4	90,9	89,7	3	
7,5	90,4	91,2	90,4	90,4	91,2	90,4	90,4	91,2	90,4	90,4	91,2	91,1	90,7	91,3	90,8	90,9	91,2	90,4	90,4	91,2	90,4	3	
11	91,5	92,2	91,4	91,5	92,2	91,4	91,5	92,2	91,4	91,5	92,4	92,4	91,9	92,5	92	91,9	92,2	91,4	91,5	92,2	91,4	3	
15	92,2	92,2	90,8	92,2	92,2	90,8	92,2	92,2	90,8	92,5	93,0	92,7	92,5	92,7	91,8	92,2	92,2	90,8	92,5	93,0	92,7	3	

P _N kW	Manufacturer		IEC SIZE	Construction Design	N. of Poles	f _N Hz	Data for 400 V / 50 Hz Voltage				
	Xylem Service Italia Srl Reg. No. 07520560967 Montecchio Maggiore Vicenza - Italia						cos ϕ	I _s / I _N	T _N Nm	T _s /T _N	T _m /T _N
	Model										
0,55	SM480B5/305		80	B5	4	50	0,67	3,95	3,77	2,45	2,38
0,75	LLM480B5/307		80				0,75	5,78	5,03	2,77	3,31
1,1	PLM490B5/311 E3		90				0,71	6,22	7,28	2,75	3,44
1,5	PLM490B5/315 E3		90				0,68	6,92	9,89	3,29	4,01
2,2	PLM4100B5/322 E3		100				0,78	7,47	14,5	2,38	3,69
3	PLM4100B5/330 E3		100				0,74	7,75	19,7	2,48	4,21
4	PLM4112B5/340 E3		112				0,79	8,32	26,3	3,19	4,02
5,5	PLM4132B5/355 E3		132				0,76	7,64	35,9	2,85	3,65
7,5	PLM4132B5/375 E3		132				0,79	7,70	49,1	2,69	3,57
11	PLM4160B35/3110 E3		160				0,81	7,19	71,5	2,45	3,26
15	PLM4160B35/3150 E3		160				0,77	8,23	97,2	2,97	3,99

P _N kW	Voltage U _N V											η_N min ⁻¹	Observe the regulations and codes locally in force regarding sorted waste disposal.	Operating conditions **		
	Δ			Y			Δ			Y				Altitude Above Sea Level (m)	T. amb min/max °C	ATEX
	220 V	230 V	240 V	380 V	400 V	415 V	380 V	400 V	415 V	660 V	690 V					
0,55	2,98	3,03	3,1	1,72	1,75	1,79	-	-	-	-	-	1380 ÷ 1400	≤ 1000	-15 / 40	No	
0,75	3,08	3,03	3,01	1,78	1,75	1,74	1,78	1,75	1,74	1,03	1,01	1410 ÷ 1430				
1,1	4,61	4,59	4,62	2,66	2,65	2,67	2,64	2,63	2,65	1,53	1,52	1435 ÷ 1445				
1,5	6,34	6,41	6,41	3,66	3,7	3,7	3,65	3,68	3,69	2,11	2,13	1440 ÷ 1450				
2,2	8,19	8,04	7,97	4,73	4,64	4,6	4,70	4,62	4,56	2,71	2,67	1445 ÷ 1455				
3	11,5	11,5	11,5	6,66	6,62	6,67	6,63	6,59	6,63	3,83	3,81	1450 ÷ 1460				
4	14,8	14,6	14,5	8,52	8,40	8,36	8,40	8,23	8,19	4,85	4,75	1445 ÷ 1455				
5,5	20,0	19,7	19,4	11,6	11,4	11,2	11,7	11,5	11,4	6,75	6,62	1455 ÷ 1465				
7,5	26,6	26,1	25,8	15,4	15,1	14,9	15,5	15,2	15,1	8,95	8,75	1450 ÷ 1460				
11	38,3	37,3	37,5	22,1	21,8	21,7	21,9	21,4	21,3	12,6	12,3	1465 ÷ 1470				
15	51,8	52,0	52,7	29,9	30,0	30,4	30,5	30,7	31,4	17,6	17,7	1465 ÷ 1475				

** Operating conditions to be referred to motor only. About electric pump, refer to limits in user's manual.

Nscs-IE3-mott15-4p50-en_a_te

NSCS SERIES

THREE-PHASE MOTORS AT 50 Hz, 4 POLES (from 18,5 to 90 kW)

P _N kW	Efficiency η_N %									IE	Year of manufacture
	Δ 380 V Y 660 V			Δ 400 V Y 690 V			Δ 415 V				
	4/4	3/4	2/4	4/4	3/4	2/4	4/4	3/4	2/4		
18,5	93,1	92,9	92,5	93,3	92,9	92,2	93,4	92,8	91,8	3	from 11/2014
22	93,4	93,1	92,8	93,6	93,0	92,4	93,6	92,8	91,9		
30	94,1	94,1	93,5	94,2	94,0	93,0	94,2	93,9	92,5		
37	94,3	94,5	94,1	94,6	94,6	94,0	94,7	94,6	93,8		
45	94,7	94,7	94,3	94,8	94,8	94,2	94,8	94,8	94,0		
55	95,1	94,9	94,7	95,3	95,0	94,6	95,4	94,9	94,4		
75	95,4	95,2	94,8	95,6	95,2	94,7	95,7	95,2	94,6		
90	95,6	95,4	95,1	95,8	95,5	95,0	95,9	95,5	94,9		

P _N kW	Manufacturer		IEC SIZE	Construction Design	N. of Poles	f _N Hz	Data for 400 V / 50 Hz Voltage				
	WEG Equipamentos Eletricos S.A. Reg. No. 07.175.725/0010-50 Jaragua do Sul - SC (Brazil)						cos ϕ	I _s / I _N	T _N Nm	T _s /T _N	T _m /T _N
	Model										
18,5	W22 180M4-B35 18.5kW E3		180	B35	4	50	0,82	7,30	120,20	2,70	3,00
22	W22 180L4-B35 22kW E3		180				0,83	7,30	142,90	2,80	3,30
30	W22 200L4-B35 30kW E3		200				0,82	7,30	193,60	2,50	3,00
37	W22 225S/M4-B35 37kW E3		225				0,86	7,80	238,70	2,70	3,00
45	W22 225S/M4-B35 45kW E3		225				0,85	7,90	290,40	2,80	3,20
55	W22 250S/M4-B35 55kW E3		250				0,86	7,90	354,90	2,80	3,30
75	W22 280S/M4-B35 75kW E3		280				0,87	7,60	482,30	2,30	2,80
90	W22 280S/M4-B35 90kW E3		280				0,86	7,40	578,80	2,30	2,80

P _N kW	Voltage U _N V					n _N min ⁻¹	Operating conditions **		
	Δ			Y			Altitude Above Sea Level (m)	T. amb min/max °C	ATEX
	380 V	400 V	415 V	660 V	690 V				
18,5	35,90	34,90	34,40	20,70	20,20	1470	See note. ≤ 1000	-15 / +40	No
22	42,10	40,90	40,40	24,20	23,70	1470			
30	57,70	56,10	55,40	33,20	32,50	1480			
37	68,50	65,60	63,90	39,40	38,00	1480			
45	83,90	79,40	78,60	48,30	46,00	1480			
55	100,0	96,90	94,40	57,60	56,20	1480			
75	136,0	130,0	127,0	78,30	75,40	1485			
90	164,0	158,0	154,0	94,40	91,60	1485			

** Operating conditions to be referred to motor only. About electric pump, refer to limits in user's manual.

Nscs-mott90-4p50-en_a_te

Note: Observe the regulations and codes locally in force regarding sorted waste disposal.

NSCF, NSCC SERIES

THREE-PHASE MOTORS AT 50 Hz, 4 POLES (from 0,25 to 15 kW)

P _N kW	Efficiency η_N																		IE	Year of manufacture	
	%																				
	Δ 220 V Y 380 V			Δ 230 V Y 400 V			Δ 240 V Y 415 V			Δ 380 V Y 660 V			Δ 400 V Y 690 V			Δ 415 V					
4/4	3/4	2/4	4/4	3/4	2/4	4/4	3/4	2/4	4/4	3/4	2/4	4/4	3/4	2/4	4/4	3/4	2/4				
0,25	-	-	-	-	-	-	-	-	-	-	-	-	-	-	-	-	-	-	-	-	06/2011
0,37	-	-	-	-	-	-	-	-	-	-	-	-	-	-	-	-	-	-	-	-	
0,55	-	-	-	-	-	-	-	-	-	-	-	-	-	-	-	-	-	-	-	-	
0,75	80,4	81,3	79,8	81,1	81,4	79,1	81,4	81,2	78,4	80,4	81,2	78,4	80,4	81,2	78,4	80,4	81,2	78,4	80,4	2	from 11/2014
1,1	84,9	85,7	84,7	85,3	85,5	83,8	85,3	85	82,7	84,9	85	82,7	84,9	85	82,7	84,9	85	82,7	84,9	3	
1,5	86,6	87,0	85,7	86,7	86,9	84,5	86,4	85,9	83,3	86,4	85,9	83,3	86,4	85,9	83,3	86,4	85,9	83,3	86,4		
2,2	87,6	88,6	88,3	88,2	88,8	87,9	88,5	88,7	87,4	87,6	88,6	87,4	87,6	88,6	87,4	87,6	88,6	87,4	87,6		
3	88,5	89,2	88,5	88,6	88,9	87,6	88,6	88,6	86,8	88,5	88,6	86,8	88,5	88,6	86,8	88,5	88,6	86,8	88,5		
4	88,6	89,1	87,9	88,6	89,1	87,9	88,6	89,1	87,9	88,6	89,2	88,9	88,6	89,2	88,4	88,8	89,1	87,9	87,9		
5,5	90,4	90,9	89,7	90,4	90,9	89,7	90,4	90,9	89,7	90,4	91,0	90,5	90,9	91,1	90,2	90,9	90,9	89,7	89,7		
7,5	90,4	91,2	90,4	90,4	91,2	90,4	90,4	91,2	90,4	90,4	91,2	91,1	90,7	91,3	90,8	90,9	91,2	90,4	90,4		
11	91,5	92,2	91,4	91,5	92,2	91,4	91,5	92,2	91,4	91,5	92,4	92,4	91,9	92,5	92	91,9	92,2	91,4	91,4		
15	92,2	92,2	90,8	92,2	92,2	90,8	92,2	92,2	90,8	92,5	93,0	92,7	92,5	92,7	91,8	92,2	92,2	90,8	90,8		

P _N kW	Manufacturer		IEC SIZE	Construction Design	N. of Poles	f _N Hz	Data for 400 V / 50 Hz Voltage				
	Xylem Service Italia Srl Reg. No. 07520560967 Montecchio Maggiore Vicenza - Italia						cos ϕ	I _s / I _N	T _N Nm	T _s /T _N	T _m /T _N
	Model										
0,25	SM471B3/302		71	B3	4	50	0,59	3,58	1,71	3,16	2,63
0,37	SM471B3/304		71				0,60	3,39	2,57	3,40	2,47
0,55	SM480B3/305		80				0,67	3,95	3,77	2,45	2,38
0,75	LLM480B3/307		80				0,75	5,78	5,03	2,77	3,31
1,1	PLM490B3/311 E3		90				0,71	6,22	7,28	2,75	3,44
1,5	PLM490B3/315 E3		90				0,68	6,92	9,89	3,29	4,01
2,2	PLM4100B3/322 E3		100				0,78	7,47	14,5	2,38	3,69
3	PLM4100B3/330 E3		100				0,74	7,75	19,7	2,48	4,21
4	PLM4112B3/340 E3		112				0,79	8,32	26,3	3,19	4,02
5,5	PLM4132B3/355 E3		132				0,76	7,64	35,9	2,85	3,65
7,5	PLM4132B3/375 E3		132				0,79	7,70	49,1	2,69	3,57
11	PLM4160B3/3110 E3		160				0,81	7,19	71,5	2,45	3,26
15	PLM4160B3/3150 E3		160	0,77	8,23	97,2	2,97	3,99			

P _N kW	Voltage U _N V											n _N min ⁻¹	Observe the regulations and codes locally in force regarding sorted waste disposal.	Operating conditions **		
	Δ			Y			Δ			Y				Altitude Above Sea Level (m)	T. amb min/max °C	ATEX
	220 V	230 V	240 V	380 V	400 V	415 V	380 V	400 V	415 V	660 V	690 V					
0,25	1,68	1,71	1,77	0,97	0,99	1,02	-	-	-	-	-	-	1375 ÷ 1400	≤ 1000	-15 / 40	No
0,37	2,46	2,53	2,62	1,42	1,46	1,51	-	-	-	-	-	-	1355 ÷ 1380			
0,55	2,98	3,03	3,1	1,72	1,75	1,79	-	-	-	-	-	-	1380 ÷ 1400			
0,75	3,08	3,03	3,01	1,78	1,75	1,74	1,78	1,75	1,74	1,03	1,01	1410 ÷ 1430				
1,1	4,61	4,59	4,62	2,66	2,65	2,67	2,64	2,63	2,65	1,53	1,52	1435 ÷ 1445				
1,5	6,34	6,41	6,41	3,66	3,70	3,70	3,65	3,68	3,69	2,11	2,13	1440 ÷ 1450				
2,2	8,19	8,04	7,97	4,73	4,64	4,6	4,70	4,62	4,56	2,71	2,67	1445 ÷ 1455				
3	11,5	11,5	11,5	6,66	6,62	6,67	6,63	6,59	6,63	3,83	3,81	1450 ÷ 1460				
4	14,8	14,6	14,5	8,52	8,40	8,36	8,40	8,23	8,19	4,85	4,75	1445 ÷ 1455				
5,5	20,0	19,7	19,4	11,6	11,4	11,2	11,7	11,5	11,4	6,75	6,62	1455 ÷ 1465				
7,5	26,6	26,1	25,8	15,4	15,1	14,9	15,5	15,2	15,1	8,95	8,75	1450 ÷ 1460				
11	38,3	37,3	37,5	22,1	21,8	21,7	21,9	21,4	21,3	12,6	12,3	1465 ÷ 1470				
15	51,8	52,0	52,7	29,9	30,0	30,4	30,5	30,7	31,4	17,6	17,7	1465 ÷ 1475				

** Operating conditions to be referred to motor only. About electric pump, refer to limits in user's manual.

NSCF, NSCC SERIES

THREE-PHASE MOTORS AT 50 Hz, 4 POLES (from 18,5 to 315 kW)

P _N kW	Efficiency η_N %									IE	Year of manufacture
	Δ 380 V Y 660 V			Δ 400 V Y 690 V			Δ 415 V				
	4/4	3/4	2/4	4/4	3/4	2/4	4/4	3/4	2/4		
18,5	93,1	92,9	92,5	93,3	92,9	92,2	93,4	92,8	91,8	3	from 11/2014
22	93,4	93,1	92,8	93,6	93,0	92,4	93,6	92,8	91,9		
30	94,1	94,1	93,5	94,2	94,0	93,0	94,2	93,9	92,5		
37	94,3	94,5	94,1	94,6	94,6	94,0	94,7	94,6	93,8		
45	94,7	94,7	94,3	94,8	94,8	94,2	94,8	94,8	94,0		
55	95,1	94,9	94,7	95,3	95,0	94,6	95,4	94,9	94,4		
75	95,4	95,2	94,8	95,6	95,2	94,7	95,7	95,2	94,6		
90	95,6	95,4	95,1	95,8	95,5	95,0	95,9	95,5	94,9		
110	96,2	95,9	95,5	96,3	95,9	95,4	96,3	95,8	95,2		
132	96,3	96,0	95,6	96,4	96,0	95,5	96,4	95,9	95,3		
160	96,3	96,2	95,8	96,5	96,2	95,7	96,6	96,2	95,5		
200	96,5	96,5	96,2	96,7	96,5	96,1	96,7	96,5	95,9		
250	96,8	96,6	96,4	96,9	96,6	96,2	96,9	96,5	96,0		
280	96,8	96,7	96,4	96,9	96,7	96,3	97,0	96,7	96,2		
315	96,8	96,7	96,5	96,9	96,7	96,4	97,0	96,7	96,3		
355	96,8	96,8	96,6	96,9	96,8	96,5	97,0	96,8	96,4		

P _N kW	Manufacturer		IEC SIZE	Construction Design	N. of Poles	f _N Hz	Data for 400 V / 50 Hz Voltage				
	WEG Equipamentos Eletricos S.A. Reg. No. 07.175.725/0010-50 Jaragua do Sul - SC (Brazil)						cos ϕ	I _s / I _N	T _N Nm	T _s /T _N	T _m /T _N
	Model										
18,5	W22 180M4-B3 18.5kW E3		180	B3	4	50	0,82	7,30	120,20	2,70	3,00
22	W22 180L4-B3 22kW E3		180				0,83	7,30	142,90	2,80	3,30
30	W22 200L4-B3 30kW E3		200				0,82	7,30	193,60	2,50	3,00
37	W22 225S/M4-B3 37kW E3		225				0,86	7,80	238,70	2,70	3,00
45	W22 225S/M4-B3 45kW E3		225				0,85	7,90	290,40	2,80	3,20
55	W22 250S/M4-B3 55kW E3		250				0,86	7,90	354,90	2,80	3,30
75	W22 280S/M4-B3 75kW E3		280				0,87	7,60	482,30	2,30	2,80
90	W22 280S/M4-B3 90kW E3		280				0,86	7,40	578,80	2,30	2,80
110	W22 315S/M4-B3 110kW E3		315				0,86	7,50	705,00	2,60	2,70
132	W22 315S/M4-B3 132kW E3		315				0,86	7,60	846,00	2,90	3,00
160	W22 315S/M4-B3 160kW E3		315				0,87	7,60	1025,0	2,60	2,60
200	W22 315L4-B3 200kW E3		315				0,87	7,60	1282,0	2,50	2,50
250	W22 315L4-B3 250kW E3		315				0,86	8,00	1602,0	2,70	2,60
280	W22 355M/L4-B3 280kW E3		355				0,86	7,30	1795,0	2,30	2,40
315	W22 355M/L4-B3 315kW E3		355				0,86	7,30	2019,0	2,30	2,40
355	W22 355M/L4-B3 355kW E3		355				0,86	7,20	2275,0	2,40	2,50

P _N kW	Voltage U _N V					n _N min ⁻¹	Operating conditions **		
	Δ			Y			Altitude Above Sea Level (m)	T. amb min/max °C	ATEX
	380 V	400 V	415 V	660 V	690 V				
	I _N (A)								
18,5	35,90	34,90	34,40	20,70	20,20	See note	≤ 1000	-20 / +40	No
22	42,10	40,90	40,40	24,20	23,70				
30	57,70	56,10	55,40	33,20	32,50				
37	68,50	65,60	63,90	39,40	38,00				
45	83,90	79,40	78,60	48,30	46,00				
55	100,0	96,90	94,40	57,60	56,20				
75	136,0	130,0	127,0	78,30	75,40				
90	164,0	158,0	154,0	94,40	91,60				
110	200,0	192,0	187,0	115,0	111,0				
132	239,0	230,0	224,0	138,0	133,0				
160	287,0	275,0	268,0	165,0	159,0				
200	358,0	343,0	335,0	206,0	199,0				
250	451,0	433,0	422,0	260,0	251,0				
280	505,0	485,0	472,0	291,0	281,0				
315	575,0	552,0	538,0	331,0	320,0				
355	640,0	615,0	599,0	368,0	357,0				

** Operating conditions to be referred to motor only. About electric pump, refer to limits in user's manual.

Note: Observe the regulations and codes locally in force regarding sorted waste disposal.

MOTOR NOISE

The tables below show the mean sound pressure levels (Lp) measured at 1 meter's distance in a free field according to the A curve (ISO 1680 standard).

The noise values are measured with idling 50 Hz motor with a tolerance of 3 dB (A).

NSCE, NSCS MOTORS 2 POLI 50 Hz

POWER kW	MOTOR TYPE IEC SIZE	NOISE LpA dB
1,1	90R	<70
1,5	90R	<70
2,2	90	<70
3	90	<70
3	100R	<70
4	112R	<70
5,5	112	<70
5,5	132R	<70
7,5	132	71
9,2	132	73
11	132	73
11	160	71
15	160	71
18,5	160	73
22	160	70
22	180R	70
30	200	69
37	200	69
45	225	74
55	250	74
75	280	77
90	280	77

NSCF, NSCC MOTORS 2 POLI 50 Hz

POWER kW	MOTOR TYPE IEC SIZE	NOISE LpA dB
1,1	80	<70
1,5	90	<70
2,2	90	<70
3	100	<70
4	112	<70
5,5	132	71
7,5	132	71
11	160	71
15	160	71
18,5	160	73
22	180	67
30	200	69
37	200	69
45	225	74
55	250	74
75	280	77
90	280	77
110	315	77
132	315	77
160	315	77
200	315	80

NSCE, NSCS MOTORS 4 POLI 50 Hz

POWER kW	MOTOR TYPE IEC SIZE	NOISE LpA dB
0,25	71	<70
0,37	71	<70
0,55	80	<70
0,55	90R	<70
0,75	80	<70
0,75	90R	<70
1,1	90	<70
1,5	90	<70
2,2	100	<70
3	100	<70
4	112	<70
5,5	132	<70
7,5	132	<70
11	160	<70
15	160	<70
18,5	180	<70
22	180	<70
30	200	<70
45	225	<70
55	250	<70
75	280	<70
90	280	<70

NSCF, NSCC MOTORS 4 POLI 50 Hz

POWER kW	MOTOR TYPE IEC SIZE	NOISE LpA dB
0,25	71	<70
0,37	71	<70
0,55	80	<70
0,75	80	<70
1,1	90	<70
1,5	90	<70
2,2	100	<70
3	100	<70
4	112	<70
5,5	132	<70
7,5	132	<70
11	160	<70
15	160	<70
18,5	180	<70
22	180	<70
30	200	<70
37	225	<70
45	225	<70
55	250	<70
75	280	<70
90	280	<70
110	315	71
132	315	71
160	315	71
200	315	73
250	315	73
280	355	74
315	355	74
355	355	74

*R=Reduced size of motor as compared to shaft extension and flange.

Nscs-Nscf_mott-en_b_tr

e-NSC SERIES PUMPS

Over last decade the European Commission with the 'Energy Efficiency Plan' pushed the European Parliament and the Council to adopt specific measures to the purpose of reducing energy consumption and further negative environmental impacts. Through the Directives 2005/32/EC, energy-using products (EuP), and 2009/125/EC, energy-related products (ErP) a framework for ecodesign requirements was established.

The **Commission Regulation (EU) No 547/2012** has implemented two directives with regard to ecodesign requirements for **some types of clean water pumps** placed on the market and put into service inside EU zone as self-alone units or integrated in other products.

For end-suction close-coupled pumps (ESCC for the Regulation) and end-suction own-bearing pumps (ESOB for the Regulation) the efficiency assessment refers to:

- just the pump and not the pump and motor assembly (electric or combustion);
- pumps with just one impeller;
- pumps with a nominal pressure PN not higher than 16 bar (1600 kPa);
- pumps with a minimum nominal flow not less than 6 m³/h;
- pumps with a maximum nominal power at the shaft not higher than 150 kW;
- pumps designed to operate at a speed of 2900 min⁻¹ (for electric pumps this means 50 Hz 2-pole electric motors) and with a head not greater than 140 metres;
- pumps designed to operate at a speed of 1450 min⁻¹ (for electric pumps this means 50 Hz 4-pole electric motors) and with a head not greater than 90 metres;
- use with clean water at a temperature ranging from -10°C to 120°C (the test is performed with cold water at a temperature not higher than 40°C).

According to the definitions established in the Regulation NSCE and NSCS versions correspond to the "end-suction close-coupled pump" while NSC, NSCF and NSCC versions correspond to the "end-suction own bearing pump". This regulation states that water pumps shall have a minimum index MEI coming from a dedicated formula which considers hydraulic efficiency values at 'best efficiency point' (BEP), 75 % of the flow at BEP (Part load – PL) and 110 % of the flow at BEP (Over load – OL).

The Regulation also establishes the following deadlines.

from	minimum efficiency index (MEI)
1st January 2013	MEI ≥ 0,1
1st January 2015	MEI ≥ 0,4

Regulation (EU) n. 547/2012 – Annex II – point 2 (Product information requirements)

- 1) Minimum efficiency index: see MEI values in specific tables on following page.
- 2) "The benchmark for most efficient water pumps is MEI ≥ 0,70".
- 3) Year of manufacture: 2014.
- 4) Manufacturer: Xylem Service Italia Srl - Reg. No 07520560967 - Montecchio Maggiore, Vicenza, Italy.
- 5) Product type: see the PUMP TYPE column in the tables in the *Hydraulic performance* section.
- 6) Hydraulic pump efficiency with trimmed impeller: see η_p and $\varnothing T$ columns in the tables in the *Hydraulic performance* section.
- 7) Pump performance curves, including the performance curve: see the *Operating Characteristics* graphs in the following pages.
- 8) "The efficiency of a pump with a trimmed impeller is usually lower than that of a pump with the full impeller diameter. The trimming of the impeller will adapt the pump to a fixed duty point, leading to reduced energy consumption. The minimum efficiency index (MEI) is based on the full impeller diameter".
- 9) "The operation of this water pump with variable duty points may be more efficient and economic when controlled, for example, by the use of a variable speed drive that matches the pump duty to the system".
- 10) Information relevant for disassembly, recycling or disposal at end-of-life: observe the current laws and by-laws governing sorted waste disposal. Consult the product operating manual.
- 11) "Designed for use below – 10 °C only": note not applicable to these products.
- 12) "Designed for use above 120 °C only": note not applicable to these products.
- 13) Specific instructions for pumps as per points 11 and 12: not applicable to these products.
- 14) "Information on benchmark efficiency is available at": www.europump.org (Ecodesign section).
- 15) The benchmark efficiency graphs with MEI = 0.7 and MEI = 0.4 are available at www.europump.org/efficiencycharts (refer to "ESCC 1450 rpm", "ESCC 2900 rpm", "ESOB 1450 rpm", "ESOB 2900 rpm").

e-NSC SERIES
MINIMUM EFFICIENCY INDEX (MEI)

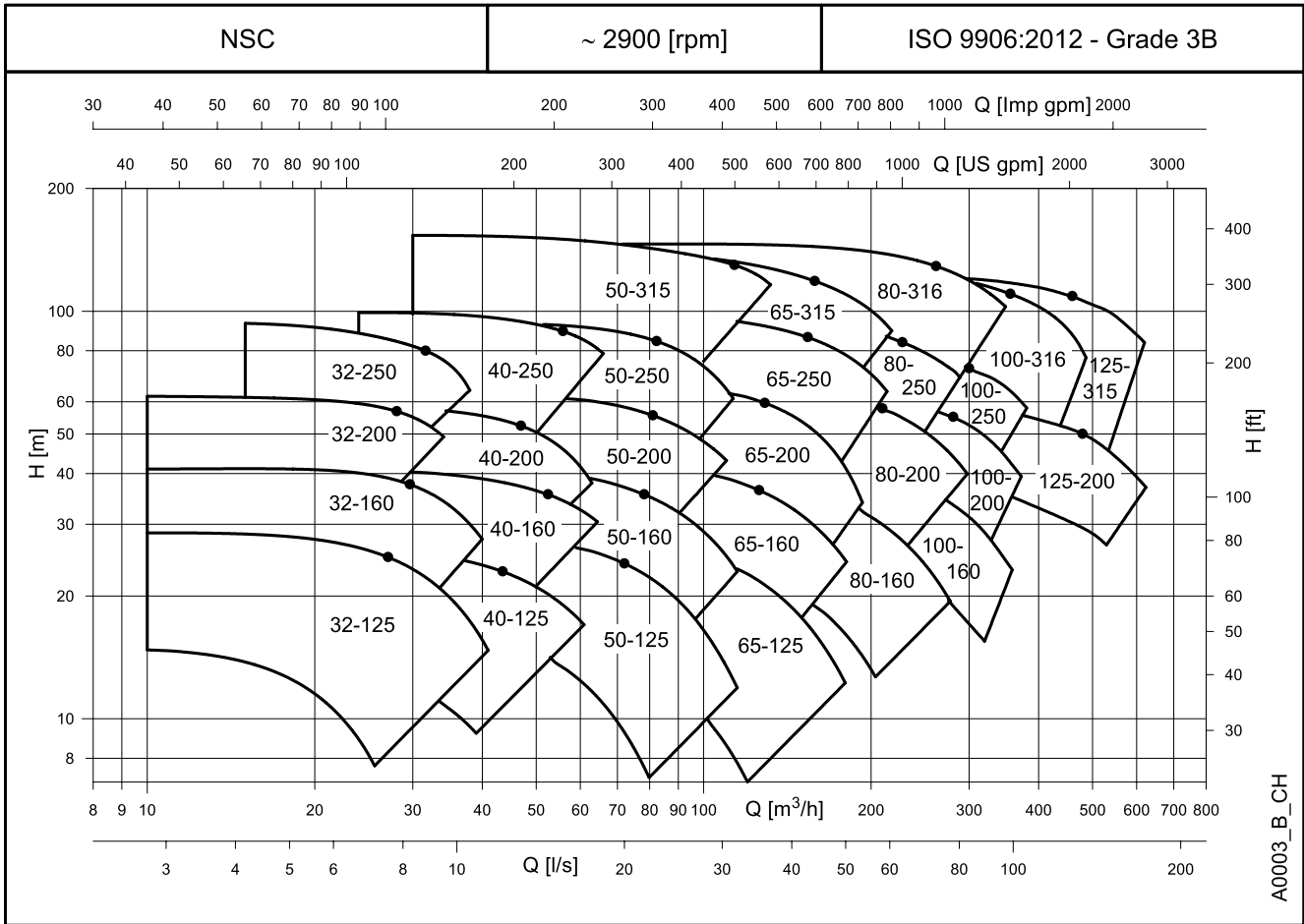
PUMP SIZE	2-POLE	
	NSC, NSCE NSCF, NSCC	NSCS
32-125/145	≥0,40	≥0,40
32-160/171	≥0,40	≥0,40
32-200/205	≥0,40	≥0,40
2FHE32-250/200	---	---
32-250/259	≥0,40	≥0,40
40-125/136	≥0,40	≥0,40
40-160/165	≥0,40	≥0,40
40-200/199	≥0,40	≥0,40
40-250/257	≥0,40	≥0,40
50-125/148	≥0,40	≥0,40
50-160/176	≥0,40	≥0,40
50-200/209	≥0,40	≥0,40
50-250/256	≥0,40	≥0,40
50-315/322	≥0,40	≥0,40
65-125/148	≥0,40	≥0,40
65-160/180	≥0,40	≥0,40
65-200/220	≥0,40	≥0,40
65-250/258	≥0,40	≥0,40
65-315/315	≥0,40	≥0,40
80-160/177	≥0,40	≥0,40
80-200/219	≥0,40	≥0,40
80-250/259	≥0,40	≥0,40
80-316/321	≥0,40	≥0,40
100-160/187	≥0,70	≥0,70
100-200/227	0,69	≥0,70
100-250/259	≥0,70	≥0,70
100-316/302	0,43	---
125-200/225	≥0,70	≥0,70
125-315/290	---	---

PUMP SIZE	4-POLE	
	NSC, NSCE NSCF, NSCC	NSCS
32-125/145	≥0,40	≥0,40
32-160/171	≥0,40	≥0,40
32-200/205	≥0,40	≥0,40
2FHE4 32-250/200	---	---
32-250/259	≥0,40	≥0,40
40-125/136	≥0,40	≥0,40
40-160/165	≥0,40	≥0,40
40-200/199	≥0,40	≥0,40
40-250/257	≥0,40	≥0,40
50-125/148	≥0,40	≥0,40
50-160/176	≥0,40	≥0,40
50-200/209	≥0,40	≥0,40
50-250/256	≥0,40	≥0,40
50-315/322	≥0,40	≥0,40
65-125/148	≥0,40	≥0,40
65-160/180	≥0,40	≥0,40
65-200/220	≥0,40	≥0,40
65-250/258	≥0,40	≥0,40
65-315/334	≥0,40	≥0,40
80-160/177	≥0,40	≥0,40
80-200/219	≥0,40	≥0,40
80-250/259	≥0,40	≥0,40
80-315/334	≥0,40	≥0,40
80-400/418	≥0,40	≥0,40
100-160/190	≥0,70	≥0,70
100-200/227	0,64	0,69
100-250/259	≥0,70	≥0,70
100-315/334	0,64	0,69
100-400/420	0,50	0,55
125-200/225	0,66	≥0,70
125-250/259	≥0,70	≥0,70
125-315/334	≥0,70	≥0,70
125-400/422	0,66	≥0,70
150-200/237	0,69	≥0,70
150-250/282	0,64	0,68
150-315/330	0,53	0,58
150-400/423	≥0,70	≥0,70
150-500/516	---	---
200-250/271	0,65	0,70
200-315/333	0,51	0,56
200-400/409	0,50	---
200-500/523	---	---
250-315/316	0,62	0,66
250-400/425	---	---
250-500/523	---	---
300-350/354	≥0,70	---
300-400/425	---	---
300-450/470	---	---

Nsc-MEI-en_b_sc

e-NSC SERIES

HYDRAULIC PERFORMANCE RANGE AT 50 Hz, 2 POLES



e-NSC 32, 40, 50 SERIES HYDRAULIC PERFORMANCE TABLE AT 50 Hz, 2 POLES

PUMP TYPE	P _N kW	ØF (1)	ηp % (2)	ØT (3)	Q = DELIVERY															
					l/s	1,7	2,6	3,5	4,4	5,2	6,1	7,0	7,9	8,8	9,6	10,5	11,4			
					0	6	9	13	16	19	22	25	28	32	35	38	41			
					H = TOTAL HEAD METRES COLUMN OF WATER															
32-125/11*	1,1		65,2	106	15,1	15,0	14,8	14,3	13,5	12,2	10,4	8,0								
32-125/15*	1,5		66,5	117	18,6		18,3	18,0	17,3	16,3	14,9	13,0	10,6							
32-125/22*	2,2		68,8	132	23,9		23,7	23,4	22,9	22,2	21,1	19,7	17,9	15,7	12,9					
32-125/30	3	145	70,6		29,1		28,7	28,3	27,7	26,9	25,7	24,3	22,5	20,3	17,7	14,6				
32-160/22*	2,2		66,7	134	24,7		24,7	24,7	24,4	23,5	21,8	19,3								
32-160/30	3		68,2	147	30,0		29,9	30,0	29,9	29,4	28,3	26,5	23,9	20,6						
32-160/40	4		69,9	160	35,8		35,7	35,8	35,7	35,5	34,8	33,6	31,7	29,1	25,8					
32-160/55	5,5	171	71,2		41,2		41,1	41,1	40,9	40,5	39,7	38,3	36,3	33,6	30,2					
32-200/40	4		61,8	169	41,5		41,2	41,0	40,5	39,4	37,3	33,5								
32-200/55	5,5		63,5	186	50,8		50,5	50,2	49,9	49,2	47,9	45,7	42,0							
32-200/75	7,5	205	65,4		62,5		61,7	61,4	60,9	60,1	58,8	56,6	53,2	48,1						
2FHE32-250/55	5,5		54,0	182	79,0		70,8	66,3	60,6	53,3	44,0									
2FHE32-250/75	7,5	200	55,0		99,0		91,5	86,9	81,1	73,9	64,9	53,7								
32-250/92	9,2		50,0	226	69,6		69,6	69,9	68,9	66,9	64,2	60,9	55,9							
32-250/110A	11		50,0	226	69,6		69,9	68,9	66,9	64,2	60,9	55,9								
32-250/110	11		51,2	239	78,6			78,1	76,4	74,0	70,9	67,1	61,2							
32-250/150	15	259	52,7		93,7			93,2	92,0	89,9	87,2	84,0	80,1	74,5	64,7					

PUMP TYPE	P _N kW	ØF (1)	ηp % (2)	ØT (3)	Q = DELIVERY															
					l/s	2,7	4,1	5,5	6,9	8,4	9,8	11,2	12,6	14,1	15,5	16,9	18,3			
					0	10	15	20	25	30	35	40	45	51	56	61	66			
					H = TOTAL HEAD METRES COLUMN OF WATER															
40-125/15*	1,5		74,9	101	14,7	14,6	14,5	14,0	13,3	12,2	10,8									
40-125/22*	2,2		76,6	113	18,6		18,4	18,0	17,5	16,6	15,5	14,0								
40-125/30	3		78,2	124	22,6		22,4	22,1	21,6	20,9	20,0	18,7	17,3	15,5						
40-125/40	4	136	79,9		27,4		27,0	26,6	26,0	25,2	24,2	22,9	21,4	19,7						
40-160/40	4		72,0	136	27,5		27,4	27,2	26,8	26,1	25,0	23,5	21,6							
40-160/55	5,5		74,5	150	33,7		33,7	33,5	33,2	32,6	31,8	30,7	29,2	27,3	25,0					
40-160/75	7,5	165	76,2		41,2		41,0	40,7	40,3	39,7	38,8	37,6	36,2	34,3	32,2					
40-200/55	5,5		65,2	161	37,4		37,2	36,9	36,2	34,8	32,6	28,9	23,4							
40-200/75	7,5		66,8	177	45,6		45,4	45,1	44,6	43,7	42,2	39,7	36,1	30,8						
40-200/92	9,2		67,9	188	51,8		51,3	50,8	50,1	48,9	47,0	44,2	40,2	34,5						
40-200/110A	11		67,9	188	51,8		51,3	50,8	50,1	48,9	47,0	44,2	40,2	34,5						
40-200/110	11	199	68,9		58,5		57,9	57,5	56,8	55,8	54,3	52,1	49,0	44,6	38,6					
40-250/110	11		64,1	208	63,4		63,7	63,4	62,3	60,5	57,9	53,8								
40-250/150	15		65,6	228	77,0			77,0	76,4	75,1	73,2	70,5	66,6							
40-250/185	18,5		66,7	243	88,2			88,1	87,7	86,7	85,2	83,0	80,0	76,0						
40-250/220	22	257	67,8		99,4			99,1	98,8	98,1	96,9	95,0	92,6	89,4	85,1	78,7				

PUMP TYPE	P _N kW	ØF (1)	ηp % (2)	ØT (3)	Q = DELIVERY															
					l/s	4,611	8	10,44	13,35	16,27	19,18	22,1	25,01	27,92	30,84	33,753	36,667			
					0	17	27	38	48	59	69	80	90	101	111	122	132			
					H = TOTAL HEAD METRES COLUMN OF WATER															
50-125/30	3		72,1	116	18,4		17,4	16,4	14,9	12,7	10,1	7,1								
50-125/40	4		73,4	126	21,8		20,9	20,0	18,7	16,8	14,4	11,6	8,4							
50-125/55	5,5		75,2	139	26,8		25,9	25,1	24,0	22,4	20,3	17,8	14,9	11,6						
50-125/75	7,5	148	76,5		30,6		29,7	29,0	27,9	26,4	24,6	22,3	19,5	16,5	13,0					
50-160/75	7,5		75,2	156	33,8		33,1	32,3	31,1	29,2	26,7	23,7	20,2							
50-160/92	9,2		76,3	166	38,5		37,8	37,1	36,0	34,3	32,1	29,3	26,1	22,3						
50-160/110A	11		76,3	166	38,5		37,9	37,3	36,4	35,2	33,6	31,6	29,3	26,5	23,5					
50-160/110	11	176	77,4		43,6		42,9	42,2	41,2	39,7	37,7	35,1	32,1	28,6	24,6					
50-200/110	11		73,9	179	45,1		44,6	44,2	43,2	41,5	38,9	35,2								
50-200/150	15		75,6	197	55,1		54,6	54,3	53,5	52,2	50,3	47,4	43,6	38,6						
50-200/185	18,5	209	76,7		62,4		61,9	61,5	60,9	59,8	58,1	55,8	52,5	48,3						
50-250/185	18,5		70,0	220	67,8		67,8	67,4	66,4	64,1	60,4	54,7	46,7							
50-250/220	22		70,9	232	75,8			75,5	74,6	72,8	69,7	65,0	58,3							
50-250/300	30	256	72,7	256	93,3			93,0	92,3	91,1	88,9	85,6	80,9	74,4	65,8					
50-315/370	37		61,2	264	101,7	100,8	100,2	98,3	95,3	92,0	88,9	86,1	82,2							
50-315/450	45		62,1	278	112,7		112,4	111,2	108,8	105,6	102,2	98,8	95,3	90,2						
50-315/550	55		63,2	298	131,0		128,6	127,8	126,6	124,6	121,7	117,8	113,6	109,3	104,3					
50-315/750	75	322	64,2		154,0		151,9	151,6	151,0	149,7	147,3	143,8	139,4	134,9	130,3	125,0	117,1			

Hydraulic performances in compliance with ISO 9906:2012 - Grade 3B (ex ISO 9906:1999 - Annex A)

Nsc-32-40-50_2p50-en_b_th

(1) External diameter of full impeller (2) Hydraulic efficiency of pump (3) External diameter of trimmed impeller *Available also in single-phase version.

e-NSC 65, 80 SERIES

HYDRAULIC PERFORMANCE TABLE AT 50 Hz, 2 POLES

PUMP TYPE	P _N kW	ØF (1)	ηp % (2)	ØT (3)	Q = DELIVERY													
					l/s 0	6	11,78	17,1	22,41	27,72	33,03	38,34	43,65	48,97	54,28	59,588	65	
					m ³ /h 0	23	42	62	81	100	119	138	157	176	195	215	234	
H = TOTAL HEAD METRES COLUMN OF WATER																		
65-125/40	4		77,8	113	16,4		16,2	15,0	12,9	10,2	7,2							
65-125/55	5,5		79,3	124	19,8		19,8	18,9	17,1	14,7	11,7							
65-125/75	7,5		81,0	136	24,1		24,1	23,4	22,0	19,8	17,1	13,9	10,5					
65-125/92	9,2		82,4	146	27,9		28,0	27,4	26,2	24,3	21,8	18,8	15,4					
65-125/110A	11		82,4	146	27,9		27,9	26,7	24,4	21,0	16,8	12,2	15,4					
65-125/110	11	148	82,7		28,7		28,9	28,3	27,1	25,3	22,8	19,8	16,4	12,9				
65-160/92	9,2		81,3	151	31,1		30,6	29,6	27,6	24,8	21,3	17,1						
65-160/110A	11		81,3	151	31,1		30,6	29,6	27,6	24,8	21,3	17,1						
65-160/110	11		82,2	159	34,6		34,2	33,2	31,5	28,9	25,6	21,6						
65-160/150	15		84,0	175	42,3		41,9	41,1	39,7	37,5	34,6	31,0	26,8					
65-160/185	18,5	180	84,5		44,9		44,5	43,8	42,4	40,3	37,6	34,1	30,0	25,4				
65-200/110	11		76,1	161	36,8		36,0	34,3	31,2	26,6	19,0							
65-200/150	15		77,5	177	44,8		44,0	42,7	40,2	36,4	31,0	22,5						
65-200/185	18,5		78,6	189	51,3		50,6	49,5	47,3	43,9	39,3	32,8						
65-200/220	22		79,5	199	57,1		56,4	55,4	53,4	50,4	46,3	40,7	32,8					
65-200/300	30	220	81,4		70,4		69,7	68,9	67,3	64,8	61,4	56,9	51,2	43,5				
65-250/300	30		77,1	215	67,9		67,2	66,6	65,2	62,7	58,9	53,4	46,1	36,7				
65-250/370	37		78,2	229	77,4		76,7	76,1	75,0	72,9	69,7	65,1	58,9	50,9				
65-250/450	45		79,3	243	87,6		86,8	86,3	85,3	83,6	80,9	77,0	71,7	64,8	56,2			
65-250/550	55	258	80,4		99,3		98,5	98,0	97,1	95,6	93,3	90,0	85,5	79,6	72,3	63,2	52,3	
65-315/550	55		68,0	272	103,6	103,8	103,3	101,6	98,8	94,7	89,6	83,4	75,8	66,1				
65-315/750	75		68,9	298	126,1		125,7	124,5	122,1	118,4	113,8	108,2	101,6	93,7	83,9			
65-315/900	90	315	69,2		142,4		141,7	140,8	138,7	135,4	131,0	125,5	119,1	111,6	102,8	91,9		

PUMP TYPE	P _N kW	ØF (1)	ηp % (2)	ØT (3)	Q = DELIVERY													
					l/s 0	11	18,36	26,22	34,08	41,93	49,79	57,65	65,51	73,37	81,23	89,086	97	
					m ³ /h 0	38	66	94	123	151	179	208	236	264	292	321	349	
H = TOTAL HEAD METRES COLUMN OF WATER																		
80-160/110	11		79,4	144	27,8		26,9	25,5	23,1	19,9	16,2							
80-160/150	15		80,9	158	33,7		33,0	31,7	29,7	26,9	23,4	19,4						
80-160/185	18,5		82,1	168	38,3		37,6	36,5	34,7	32,1	28,8	24,9	20,7					
80-160/220	22	177	83,1		42,8		42,1	41,1	39,4	37,0	33,9	30,2	26,1	21,6				
80-200/220	22		79,7	178	44,3		44,1	43,2	41,2	38,1	33,8	28,4						
80-200/300	30		81,2	195	53,6		53,4	52,7	51,2	48,6	45,0	40,3	34,7					
80-200/370	37		82,3	208	61,3		61,2	60,6	59,3	57,1	54,0	49,8	44,7	38,6				
80-200/450	45	219	83,3		68,3		68,2	67,7	66,5	64,6	61,8	58,0	53,3	47,7	41,3			
80-250/370	37		80,1	214	65,7		65,7	65,3	63,4	59,9	55,0	49,2						
80-250/450	45		81,1	227	74,3		74,3	74,0	72,6	69,6	65,2	59,7	53,4					
80-250/550	55		82,1	241	84,2		84,2	83,9	82,9	80,5	76,6	71,6	65,6	58,9				
80-250/750	75	259	83,5		98,0		97,7	96,9	95,1	92,0	87,6	82,0	75,7	68,8				
80-316/900	90		76,3	280	110,7	110,2	110,0	109,9	109,0	106,7	102,7	97,1	90,3	82,8	74,1			
80-316/1100	110		76,7	298	125,2		124,5	124,3	123,8	122,5	119,9	115,6	109,8	102,5	94,0	84,5		
80-316/1320	132		77,7	310	135,1		134,7	134,6	134,1	132,9	130,8	127,4	122,7	116,5	108,7	99,5		
80-316/1600	160	321	77,9		146,1		145,4	145,3	144,9	143,8	141,8	138,6	134,2	128,5	121,3	112,7	102,7	

Hydraulic performances in compliance with ISO 9906:2012 - Grade 3B (ex ISO 9906:1999 - Annex A)

Nsc-65-80_2p50-en_b_th

(1) External diameter of full impeller (2) Hydraulic efficiency of pump (3) External diameter of trimmed impeller

e-NSC 100, 125 SERIES

HYDRAULIC PERFORMANCE TABLE AT 50 Hz, 2 POLES

PUMP TYPE	P _N kW	ØF (1)	ηp % (2)	ØT (3)	Q = DELIVERY													
					l/s	0	11	22,5	33,78	45,06	56,33	67,61	78,89	90,17	101,4	112,7	124	135
					m ³ /h	0	40	81	122	162	203	243	284	325	365	406	446	487
H = TOTAL HEAD METRES COLUMN OF WATER																		
100-160/150	15		76,7	144	24,7	24,8	24,6	23,8	22,3	19,9	16,6	12,6						
100-160/185	18,5		79,7	156	29,1		28,7	28,2	26,9	24,6	21,3	17,1						
100-160/220	22		80,5	167	34,1		33,4	32,8	31,5	29,3	26,0	21,7	16,7					
100-160/300	30	187	83,8		44,1		42,7	41,9	40,6	38,7	35,9	32,1	27,1					
100-200/300	30		79,7	188	46,5		45,7	44,8	42,7	39,2	34,3	28,1	21,0					
100-200/370	37		82,0	202	53,9		53,4	52,8	51,2	48,2	43,8	38,0	31,0					
100-200/450	45		83,4	213	60,4		59,8	59,5	58,3	55,7	51,8	46,4	39,7	31,8				
100-200/550	55	227	84,6		69,2		68,9	68,2	66,9	64,7	61,3	56,6	50,6	43,0				
100-250/450	45		80,4	213	58,7		58,3	58,0	56,9	54,4	50,3	44,8	38,5	31,5				
100-250/550	55		83,1	227	67,8		67,7	67,4	66,2	64,0	60,5	55,7	49,6	42,4				
100-250/750	75		84,3	249	82,8		82,7	82,5	81,8	80,0	76,9	72,4	66,7	60,2	52,9			
100-250/900	90	259	85,0		90,1		90,1	89,8	88,8	87,0	84,0	79,8	74,4	67,6	59,6			
100-316/1100	110		78,6	270	104,7		104,3	103,5	101,9	99,3	95,6	90,5	83,7	74,6	62,4			
100-316/1320	132		79,9	286	116,6		116,2	115,7	114,2	111,8	108,5	104,2	98,6	91,4	81,5	67,3		
100-316/1600	160	302	80,8		131,3		130,9	130,8	129,9	128,0	124,8	120,4	115,0	108,8	101,5	91,8	77,0	

PUMP TYPE	P _N kW	ØF (1)	ηp % (2)	ØT (3)	Q = DELIVERY													
					l/s	0	24	37,55	51,57	65,6	79,62	93,64	107,7	121,7	135,7	149,7	163,8	178
					m ³ /h	0	85	135	186	236	287	337	388	438	489	539	590	640
H = TOTAL HEAD METRES COLUMN OF WATER																		
125-200/450	45		80,4	179	34,9	34,5	34,5	34,4	34,2	33,8	33,1	31,7	29,6	26,6	22,3			
125-200/550	55		83,1	195	43,1		43,0	43,0	42,7	42,1	40,9	39,0	36,2	32,6	28,4			
125-200/750	75		84,4	215	55,1		54,9	54,9	54,7	54,2	53,2	51,6	49,3	46,1	42,0	37,1		
125-200/900	90	225	85,7		61,8		61,6	61,5	61,2	60,7	59,8	58,3	56,1	53,0	49,1	44,5	39,3	
125-315/1100	110		81,1	250	84,0		83,8	83,2	81,6	78,7	74,3	68,2	60,4	51,0				
125-315/1320	132		82,4	265	96,8		96,7	96,2	95,0	92,6	89,0	83,9	77,1	68,4				
125-315/1600	160		82,6	280	109,8		109,8	109,5	108,6	106,9	104,0	99,7	93,8	86,1	76,4			
125-315/2000	200	290	83,1		118,9		119,0	118,8	118,1	116,7	114,3	110,6	105,4	98,3	89,3	78,3		

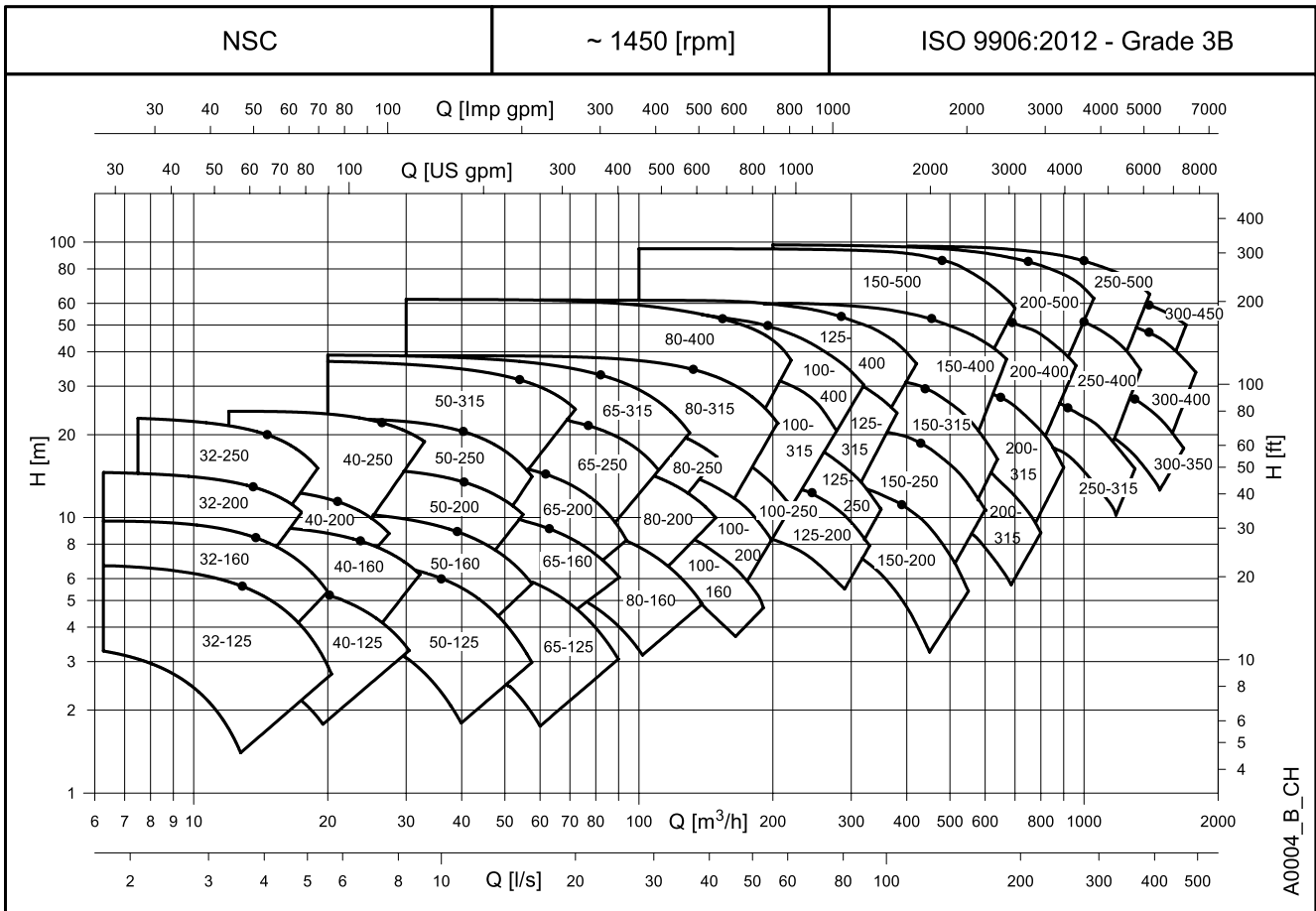
Hydraulic performances in compliance with ISO 9906:2012 - Grade 3B (ex ISO 9906:1999 - Annex A)

Nsc-100-125_2p50-en_c_th

(1) External diameter of full impeller (2) Hydraulic efficiency of pump (3) External diameter of trimmed impeller

e-NSC SERIES

HYDRAULIC PERFORMANCE RANGE AT 50 Hz, 4 POLES



e-NSC 32, 40, 50 SERIES

HYDRAULIC PERFORMANCE RANGE AT 50 Hz, 4 POLES

PUMP TYPE	P _N kW	ØF (1)	ηp % (2)	ØT (3)	Q = DELIVERY													
					l/s 0	1,0	1,4	1,8	2,2	2,7	3,1	3,5	4,0	4,4	4,8	5,2	5,7	
					m ³ /h 0	3	5	7	8	10	11	13	14	16	17	19	20	
H = TOTAL HEAD METRES COLUMN OF WATER																		
32-125/02B	0,25		63,3	106	3,5				3,2	2,9	2,5	2,0	1,4					
32-125/02A	0,25		64,7	117	4,3					3,9	3,5	3,1	2,6	1,9				
32-125/02	0,25		67,0	132	5,6						5,0	4,6	4,2	3,7	3,1	2,4		
32-125/03	0,37	145	68,8		6,8							6,0	5,7	5,2	4,7	4,1	3,4	2,7
32-160/02	0,25		62,8	164	5,8	5,8	5,8	5,7	5,5	5,1	4,5	3,8						
32-160/03	0,37		64,3	147	7,0		7,0	7,0	6,8	6,6	6,1	5,5	4,8	4,0				
32-160/05A	0,55		66,1	160	8,4		8,4	8,4	8,3	8,1	7,8	7,3	6,7	5,9	5,1			
32-160/05	0,55	171	67,3		9,7		9,7	9,6	9,6	9,4	9,2	8,8	8,3	7,7	6,9	6,0		
32-200/05	0,55		57,9	169	12,0		11,9	11,8	11,6	11,3	10,8	10,1						
32-200/07	0,75		59,5	186	9,8		9,7	9,6	9,3	8,9	8,2	7,3	5,9					
32-200/11	1,1	205	61,4		8,2		8,1	7,9	7,5	7,0	6,1	4,7	2,3	-1,7	-8,5			
2FHE432-250/07	0,75		50,0	188	19,4		17,4	16,3	14,8	13,0	10,6							
2FHE432-250/11	1,1	200	51,0		22,5		20,5	19,4	18,0	16,2	13,9	11,0						
32-250/11	1,1		47,1	226	15,0			17,2	16,9	16,4	15,6	14,4	12,9					
32-250/15A	1,5		47,1	226	17,2			17,2	16,9	16,4	15,6	14,4	12,9					
32-250/15	1,5		48,2	239	19,4				19,2	18,8	18,1	17,1	15,8	14,1				
32-250/22	2,2	259	49,7		23,1				22,9	22,6	22,1	21,3	20,3	18,9	17,3	15,3		

PUMP TYPE	P _N kW	ØF (1)	ηp % (2)	ØT (3)	Q = DELIVERY												
					l/s 0	1,3	2,1	2,8	3,5	4,3	5,0	5,7	6,5	7,2	7,9	8,7	9,4
					m ³ /h 0	5	7	10	13	15	18	21	23	26	29	31	34
H = TOTAL HEAD METRES COLUMN OF WATER																	
40-125/02A	0,25		70,3	101	3,4	3,4	3,3	3,1	2,9	2,5	2,1						
40-125/02	0,25		72,1	113	4,3		4,2	4,1	3,9	3,6	3,2	2,7					
40-125/03	0,37		73,7	124	5,3		5,2	5,0	4,9	4,6	4,3	3,8	3,4	2,8			
40-125/05	0,55	136	75,4		6,4			6,2	6,0	5,8	5,5	5,2	4,7	4,2	3,7		
40-160/05	0,55		70,7	136	6,3		6,3	6,2	6,1	5,8	5,5	5,0	4,4				
40-160/07	0,75		72,6	150	7,7		7,7	7,7	7,6	7,4	7,1	6,7	6,2	5,6			
40-160/11	1,1	165	74,3		9,4			9,4	9,3	9,2	9,0	8,7	8,3	7,8	7,2	6,5	
40-200/07	0,75		62,4	161	9,1		9,0	9,0	8,8	8,4	7,7	6,7	5,2				
40-200/11	1,1		64,0	177	11,1		11,0	11,0	10,9	10,7	10,2	9,5	8,4	7,0			
40-200/15A	1,5		65,1	188	12,6			12,5	12,4	12,2	11,9	11,3	10,5	9,3	7,8		
40-200/15	1,5	199	66,2		14,2			14,1	14,0	13,9	13,6	13,2	12,5	11,5	10,3	8,7	6,8
40-250/15	1,5		61,2	228	15,6			15,6	15,5	15,2	14,7	13,8	12,6				
40-250/22A	1,5		62,7	243	19,0			18,8	18,8	18,7	18,3	17,7	16,9	15,6			
40-250/22	2,2		63,9	257	21,8				21,5	21,4	21,2	20,7	20,1	19,1	17,8		
40-250/30	3	257	64,9		24,6				24,2	24,2	24,0	23,6	23,1	22,3	21,3	20,0	

PUMP TYPE	P _N kW	ØF (1)	ηp % (2)	ØT (3)	Q = DELIVERY												
					l/s 0	2,3	3,9	5,5	7,2	8,8	10,4	12,0	13,6	15,2	16,8	18,4	20,0
					m ³ /h 0	8	14	20	26	32	37	43	49	55	60	66	72
H = TOTAL HEAD METRES COLUMN OF WATER																	
50-125/03	0,37		72,9	116	4,5		4,2	4,0	3,5	3,0	2,2						
50-125/05	0,55		74,3	126	5,4		5,1	4,9	4,5	4,0	3,3	2,5					
50-125/07	0,75		76,1	139	6,6		6,3	6,1	5,8	5,3	4,8	4,1	3,2				
50-125/11	1,1	148	77,3		7,5		7,3	7,1	6,7	6,3	5,8	5,2	4,4	3,5			
50-160/11A	1,1		72,9	156	8,2		8,0	7,8	7,4	6,8	6,0	5,0					
50-160/11	1,1		74,0	166	9,3		9,2	9,0	8,6	8,1	7,3	6,4	5,3				
50-160/15	1,5	176	75,1		10,5		10,4	10,2	9,9	9,4	8,8	7,9	6,9	5,8			
50-200/15	1,5		73,4	179	13,5		13,4	13,3	13,1	12,6	11,9	10,8					
50-200/22A	2,2		75,0	197	11,0		10,9	10,9	10,5	9,9	8,9	7,6	5,9				
50-200/22	2,2	209	76,1		9,9		9,8	9,7	9,3	8,5	7,4	5,9	3,9	1,1			
50-250/22	2,2		69,0	220	16,7		16,6	16,5	16,1	15,1	13,6	11,5					
50-250/30	3		69,9	232	18,7		18,5	18,5	18,2	17,4	16,1	14,2	11,8				
50-250/40	4	256	71,7		23,1			22,8	22,6	22,1	21,2	19,8	17,9	15,5			
50-315/40	4		60,0	265	22,6	22,5	22,2	21,7	21,0	20,2	19,2	17,9	16,1				
50-315/55	5,5		61,1	278	27,4		27,0	26,6	25,9	25,1	24,1	23,0	21,7	19,8	17,0		
50-315/75	7,5		63,2	304	33,3		33,1	32,8	32,2	31,4	30,4	29,4	28,3	27,0	25,2	22,5	
50-315/110	11	322	63,3		37,6		37,3	37,0	36,5	35,9	35,1	34,1	32,9	31,5	29,7	27,5	24,8

Hydraulic performances in compliance with ISO 9906:2012 - Grade 3B (ex ISO 9906:1999 - Annex A)

Nsc-32-40-50_4p50-en_a_th

(1) External diameter of full impeller (2) Hydraulic efficiency of pump (3) External diameter of trimmed impeller

e-NSC 65, 80 SERIES

HYDRAULIC PERFORMANCE RANGE AT 50 Hz, 4 POLES

PUMP TYPE	P _N kW	ØF (1)	ηp % (2)	ØT (3)	Q = DELIVERY												
					l/s	3,3	6,3	9,3	12,2	15,2	18,2	21,2	24,2	27,2	30,1	33,1	36,1
					m ³ /h	12	23	33	44	55	66	76	87	98	109	119	130
H = TOTAL HEAD METRES COLUMN OF WATER																	
65-125/05	0,55		74,6	113	4,1		4,0	3,7	3,2	2,5							
65-125/07	0,75		76,1	124	5,0		4,8	4,6	4,2	3,6	2,8						
65-125/11	1,1		77,7	136	6,0		5,9	5,7	5,4	4,9	4,2	3,3					
65-125/15	2	148	79,3		7,2		7,1	6,9	6,6	6,2	5,6	4,8	3,9				
65-160/11	1,1		76,0	151	7,5		7,3	6,9	6,3	5,4	4,3						
65-160/15A	1,5		76,0	151	7,5		7,3	6,9	6,3	5,4	4,3						
65-160/15	1,5		76,9	159	8,4		8,1	7,8	7,2	6,4	5,3						
65-160/22A	2,2		78,6	175	10,2		10,0	9,7	9,2	8,5	7,6	6,4					
65-160/22	2,2	180	79,2		10,9		10,7	10,4	9,9	9,2	8,3	7,2	5,9				
65-200/15	1,5		73,5	161	8,8	8,8	8,6	8,1	6,9	5,1							
65-200/22A	2,2		75,0	177	10,7		10,6	10,2	9,2	7,8	5,7						
65-200/22	2,2		76,1	189	12,3		12,2	11,8	11,0	9,8	8,0	5,6					
65-200/30	3		77,0	199	13,7		13,6	13,3	12,6	11,5	9,9	7,7					
65-200/40	4	220	78,9		16,9		16,8	16,6	16,0	15,2	13,9	12,1	9,9				
65-250/40	4		83,0	215	16,6		16,4	16,1	15,5	14,5	13,2	11,4	9,0				
65-250/55A	5,5		84,1	229	18,9		18,8	18,5	17,9	17,1	15,9	14,3	12,3				
65-250/55	5,5		85,2	243	21,4		21,3	21,0	20,5	19,7	18,7	17,3	15,5	13,3			
65-250/75	7,5	258	86,4		24,2		24,1	23,8	23,4	22,7	21,8	20,6	19,0	17,1	14,6		
65-315/55	5,5		68,1	260	22,7		22,4	21,7	20,8	19,6	18,0	15,7	12,7				
65-315/75	7,5		70,4	285	27,6		27,3	26,8	26,0	24,8	23,3	21,4	18,9	15,9			
65-315/110	11		71,4	315	34,7		34,5	34,0	33,3	32,3	31,0	29,3	27,2	24,6	21,4	17,3	
65-315/150	15	334	72,2		39,0		38,9	38,5	37,8	36,8	35,5	33,9	32,0	29,7	27,0	23,8	20,3

PUMP TYPE	P _N kW	ØF (1)	ηp % (2)	ØT (3)	Q = DELIVERY												
					l/s	5,6	10,7	15,7	20,8	25,8	30,9	35,9	40,9	46,0	51,0	56,1	61,1
					m ³ /h	20	38	57	75	93	111	129	147	166	184	202	220
H = TOTAL HEAD METRES COLUMN OF WATER																	
80-160/15	1,5		79,9	144	6,9		6,6	5,9	4,9	3,6							
80-160/22A	2,2		81,5	158	8,3		8,1	7,5	6,6	5,4	4,1						
80-160/22	2,2		82,7	168	9,5		9,2	8,8	8,0	6,8	5,4	4,1					
80-160/30	3	177	83,7		10,5		10,3	9,9	9,2	8,1	6,8	5,4					
80-200/30	3		79,4	178	10,9		10,6	10,1	9,2	7,7							
80-200/40	4		80,9	195	13,1		12,9	12,5	11,7	10,5	8,9						
80-200/55A	5,5		82,1	208	15,0		14,8	14,5	13,8	12,7	11,3						
80-200/55	5,5	219	83,1		16,8		16,5	16,2	15,6	14,6	13,3	11,6					
80-250/55A	5,5		79,9	214	16,3		16,1	15,7	14,7	13,2	11,3	8,6	4,8				
80-250/55	5,5		80,8	227	18,4		18,3	17,9	17,0	15,7	13,9						
80-250/75	7,5		81,9	241	20,9		20,8	20,4	19,7	18,5	16,9						
80-250/110	11	259	83,2		24,3		24,2	23,8	23,2	22,2	20,8	19,0					
80-315/110A	11		75,8	262	23,1		23,1	22,7	21,9	20,4	18,4	15,8	12,8				
80-315/110	11		76,0	280	26,6		26,6	26,4	25,7	24,5	22,8	20,4	17,5				
80-315/150	15				31,6		31,7	31,6	31,2	30,3	28,9	26,8	24,3	21,2			
80-315/185	18,5				35,5		35,6	35,5	35,2	34,4	33,2	31,4	29,1	26,2	22,7		
80-315/220	22				38,6		38,7	38,6	38,3	37,6	36,4	34,8	32,7	30,0	26,7		
80-400/185	18,5		69,9	338	39,1		39,0	38,2	37,0	35,3	33,3	30,6	27,0	22,0	15,0	5,1	
80-400/220	22		71,3	356	43,8	44,0	43,8	43,2	42,0	40,4	38,4	36,1	33,1	29,1			
80-400/300	30		72,5	388	53,1		52,8	52,6	51,7	50,2	48,3	46,1	43,7	40,8			
80-400/370	37	418	73,8		62,6		61,9	61,7	61,0	59,7	57,9	55,9	53,5	50,9	47,8		

Hydraulic performances in compliance with ISO 9906:2012 - Grade 3B (ex ISO 9906:1999 - Annex A)

Nsc-65-80_4p50-en_a_th

(1) External diameter of full impeller (2) Hydraulic efficiency of pump (3) External diameter of trimmed impeller

e-NSC 100-125-150 SERIES

HYDRAULIC PERFORMANCE RANGE AT 50 Hz, 4 POLES

PUMP TYPE	P _N kW	ØF (1)	η _p % (2)	ØT (3)	Q = DELIVERY													
					∇s	0	5,6	12,6	19,7	26,8	33,8	40,9	48,0	55,1	62,1	69,2	76,3	83,3
					m ³ /h	0	20	45	71	96	122	147	173	198	224	249	275	300
H = TOTAL HEAD METRES COLUMN OF WATER																		
100-160/22A	2,2		75,9	144	5,9		5,9	5,6	4,9	3,7								
100-160/22	2,2		77,4	156	6,9		6,9	6,6	6,0	4,8	3,5							
100-160/30	3		81,5	176	9,1		9,0	8,8	8,1	7,0	5,6	4,0						
100-160/40	4	190	83,6		10,8		10,6	10,4	9,8	8,9	7,6	6,0						
100-200/40	4,0		82,6	197	12,2		12,1	11,8	11,0	9,6	7,5	5,1						
100-200/55	5,5		83,8	213	14,8		14,6	14,5	13,8	12,6	10,7	8,4						
100-200/75	7,5	227	84,3		16,9		16,7	16,5	15,9	14,8	13,1	11,0	8,4					
100-250/55	5,5		80,6	213	14,1		14,1	13,8	13,1	11,9	10,1	8,0						
100-250/75	7,5		83,1	237	17,8		17,9	17,7	17,2	16,2	14,6	12,5	10,1					
100-250/110	11	259	84,1		21,9		21,9	21,7	21,1	20,0	18,4	16,3	13,8					
100-315/110	11		78,9	260	23,5	23,5	23,4	23,1	22,4	21,1	19,2	16,5	12,6					
100-315/150	15		79,5	284	28,0		28,0	27,8	27,2	26,0	24,4	22,4	19,5					
100-315/185	18,5		79,9	298	31,1		31,0	30,9	30,3	29,3	27,8	26,1	23,8	20,4				
100-315/220	22		80,6	312	34,3		34,2	34,1	33,7	32,8	31,4	29,6	27,6	25,0				
100-315/300	30	334	80,8		40,2		40,1	40,1	39,7	38,8	37,6	36,0	34,0	31,5	28,2			
100-400/300	30		76,8	375	47,4		46,5	45,8	44,9	43,7	42,1	40,0	37,4	34,3	30,6			
100-400/370	37		77,1	397	54,4		53,3	52,5	51,6	50,4	48,9	47,1	44,8	42,0	38,6	34,7		
100-400/450	45	420	76,9		61,3		60,0	59,4	58,6	57,3	55,7	53,8	51,6	49,0	45,8	42,0	37,3	

PUMP TYPE	P _N kW	ØF (1)	η _p % (2)	ØT (3)	Q = DELIVERY													
					∇s	0	11,9	21,4	30,9	40,5	50,0	59,5	69,0	78,6	88,1	97,6	107,1	116,7
					m ³ /h	0	43	77	111	146	180	214	249	283	317	351	386	420
H = TOTAL HEAD METRES COLUMN OF WATER																		
125-200/55	5,5		80,9	179	8,6		8,4	8,4	8,3	8,0	7,2	6,0						
125-200/75	7,5		83,5	204	11,9		11,8	11,8	11,6	11,2	10,3	9,0	7,5					
125-200/110	11	225	85,4		15,0		14,9	14,9	14,8	14,4	13,7	12,6	11,1	9,3				
125-250/75	7,5		84,5	210	13,6	13,5	13,4	13,3	12,9	12,1	10,6	8,6	6,3					
125-250/110	11		86,3	235	17,5		17,4	17,4	17,2	16,6	15,3	13,5	11,3	9,2				
125-250/150	15	259	88,3		22,0		21,7	21,7	21,5	21,0	20,0	18,5	16,5	14,1	11,6			
125-315/185	18,5		83,7	277	25,6		25,7	25,6	25,3	24,4	22,8	20,1	16,4	11,9	7,3			
125-315/220	22		84,3	290	28,3		28,6	28,5	28,2	27,5	26,1	23,8	20,7	16,6				
125-315/300	30		85,4	315	34,8		35,1	35,0	34,8	34,1	33,0	31,4	29,1	26,0	22,1			
125-315/370	37	334	86,4		39,6		39,8	39,9	39,7	39,2	38,2	36,8	34,8	32,1	28,7	24,6		
125-400/370	37		78,0	353	43,4		43,9	43,8	43,2	41,9	39,9	37,0	33,0	28,0				
125-400/450	45		78,8	374	48,7		49,4	49,6	49,3	48,3	46,4	43,7	40,0	35,4	30,0			
125-400/550	55		79,1	394	54,4		55,6	55,8	55,5	54,6	53,0	50,7	47,6	43,6	38,7			
125-400/750	75	422	79,9		63,4		64,8	64,7	64,2	63,3	61,8	59,8	57,1	53,8	49,8	45,0	39,3	

PUMP TYPE	P _N kW	ØF (1)	η _p % (2)	ØT (3)	Q = DELIVERY													
					∇s	0	16,7	33,8	51,0	68,2	85,4	102,5	119,7	136,9	154,0	171,2	188,4	205,6
					m ³ /h	0	60	122	184	245	307	369	431	493	555	616	678	740
H = TOTAL HEAD METRES COLUMN OF WATER																		
150-200/110A	11		78,8	200	11,8		11,3	10,5	9,4	8,3	7,0	5,4						
150-200/110	11		80,7	217	14,0		13,4	12,5	11,4	10,1	8,7	7,0	4,9					
150-200/150A	15		82,0	227	15,2		14,5	13,8	12,9	11,7	10,2	8,4	6,4					
150-200/150	15	237	83,9		16,3		15,6	15,1	14,4	13,4	12,0	10,3	8,2					
150-250/150	15		80,3	238	17,2	17,0	16,7	16,1	15,1	13,7	11,6	9,1						
150-250/185	18,5		82,7	253	19,8		19,1	18,7	17,9	16,6	14,8	12,4	9,5					
150-250/220	22		84,6	265	22,1		21,4	21,0	20,4	19,3	17,6	15,4	12,6					
150-250/300	30	282	86,2		26,4		25,3	24,7	23,9	22,9	21,5	19,6	17,3	14,4				
150-315/300	30		84,2	291	27,7		27,7	27,6	27,0	25,7	23,5	20,4	16,5					
150-315/370	37		85,1	310	31,9		31,8	31,6	31,1	30,0	28,1	25,3	21,5	17,1				
150-315/450	45	330	86,3		36,6		36,2	36,1	35,7	34,7	32,9	30,4	27,2	23,2				
150-400/450	45		81,8	327	36,7		36,9	36,6	35,6	34,0	31,7	28,6	24,6					
150-400/550	55		84,4	346	41,2		41,6	41,5	40,9	39,5	37,5	34,6	30,9	26,3				
150-400/750	75		84,9	377	50,3		50,8	50,9	50,4	49,1	47,0	44,4	41,3	37,7	33,3			
150-400/900	90		85,3	398	56,5		56,9	57,0	56,5	55,5	53,7	51,4	48,5	45,1	41,0			
150-400/1100	110	423	85,5		63,9		64,4	64,3	63,9	63,0	61,5	59,4	56,6	53,2	49,1	44,4		
150-500/900	90		75,1	420	60,9		61,6	61,8	61,1	59,0	55,2	49,6	42,6	34,5				
150-500/1100	110		75,4	443	68,5		68,9	69,3	69,0	67,5	64,4	59,5	52,7	44,6	36,1			
150-500/1320	132		76,5	467	76,9		77,6	78,1	78,0	76,9	74,3	70,1	64,0	56,3	47,3			
150-500/1600	160		77,9	495	87,0		87,9	88,4	88,5	87,8	86,0	82,7	77,6	70,7	62,1	52,6		
150-500/2000	200	516	78,6		95,1		95,9	96,5	96,7	96,1	94,4	91,4	86,7	80,4	72,6	63,5	53,7	

Hydraulic performances in compliance with ISO 9906:2012 - Grade 3B (ex ISO 9906:1999 - Annex A)

Nsc-100-150_4p50-en_b_th

(1) External diameter of full impeller (2) Hydraulic efficiency of pump (3) External diameter of trimmed impeller

e-NSC 200-250-300 SERIES

HYDRAULIC PERFORMANCE RANGE AT 50 Hz, 4 POLES

PUMP TYPE	P _N kW	ØF (1)	η _p % (2)	ØT (3)	Q = DELIVERY													
					l/s	0	38,1	62,4	86,7	111,0	135,3	159,6	184,0	208,3	232,6	256,9	281,2	305,6
					m ³ /h	0	137	225	312	400	487	575	662	750	837	925	1012	1100
H = TOTAL HEAD METRES COLUMN OF WATER																		
200-250/185	18,5		78,6	228	15,7	15,3	14,8	13,7	12,2	10,6	8,9	6,8						
200-250/220	22		81,6	245	18,5		17,2	16,2	14,8	13,1	11,1	8,7						
200-250/300A	30		83,9	260	21,2		19,7	18,7	17,4	15,8	13,7	11,2	8,4					
200-250/300	30	271	85,0		23,1		21,5	20,5	19,4	17,9	16,0	13,6	10,8					
200-315/300	30		80,7	268	22,1	21,7	21,3	20,7	19,6	17,7	14,9	11,3						
200-315/450	37		82,9	287	25,3		24,6	24,2	23,3	21,7	19,3	15,9	11,8					
200-315/370	45		84,8	306	29,0		28,3	28,1	27,4	26,1	23,9	20,8	16,8	12,3				
200-315/550	55		86,1	328	34,1		33,2	32,8	32,1	30,9	28,8	26,0	22,2	17,8				
200-315/750	75	333	86,3	329	35,1		34,3	34,0	33,3	32,0	29,9	27,1	23,4	19,1				
200-400/750A	75		83,4	328	37,2		37,0	36,7	35,7	33,8	31,0	27,0	22,0					
200-400/750	75		83,5	342	41,0		40,6	40,3	39,4	37,7	35,0	31,3	26,5					
200-400/900	90		84,2	362	46,5		46,0	45,7	44,9	43,4	41,1	37,7	33,3	27,9				
200-400/1100	110		85,4	383	52,4		52,2	51,9	51,2	50,0	48,0	45,1	41,2	36,2				
200-400/1320	132	409	85,5		60,1		59,8	59,6	59,0	57,9	56,1	53,5	50,0	45,4	39,6			
200-500/1320	132		80,5	425	64,3		64,4	63,7	62,5	60,2	56,4	50,8	43,3	34,2				
200-500/1600	160		81,2	450	72,8		72,7	72,2	71,0	69,0	65,8	61,2	55,0	46,9				
200-500/2000	200		82,6	480	83,8		83,6	83,1	82,1	80,3	77,7	74,0	69,1	62,5	53,8			
200-500/2500	250		83,0	508	94,3		93,8	93,3	92,3	90,7	88,3	85,1	81,0	75,8	69,2	60,7		
200-500/3150	315	523	83,3		100,3		99,6	99,1	98,1	96,4	94,1	91,0	87,2	82,5	76,6	69,1	59,6	

PUMP TYPE	P _N kW	ØF (1)	η _p % (2)	ØT (3)	Q = DELIVERY													
					l/s	0	61,9	94,2	126,4	158,7	190,9	223,2	255,4	287,7	319,9	352,2	384,4	416,7
					m ³ /h	0	223	339	455	571	687	803	920	1036	1152	1268	1384	1500
H = TOTAL HEAD METRES COLUMN OF WATER																		
250-315/370	37		81,1	255	19,4	19,2	18,5	17,7	16,7	15,3	13,3	10,4						
250-315/450	45		83,1	273	22,7		21,8	21,0	20,1	18,9	16,9	13,8	10,0					
250-315/550	55		84,5	290	26,1		24,8	24,3	23,6	22,6	20,7	18,0	14,5					
250-315/750	75	316	85,7		31,5		29,9	29,5	29,1	28,4	27,1	25,0	22,1	18,6				
250-400/750	75		82,0	325	35,4		35,2	34,3	32,5	29,9	26,3	21,8	16,4					
250-400/900	90		82,9	344	39,8		39,8	39,2	37,9	35,6	32,3	27,9	22,5					
250-400/1100	110		84,0	365	45,1		45,0	44,8	43,8	42,0	39,1	35,1	30,0	23,9				
250-400/1320	132		85,1	386	50,8		50,6	50,4	49,7	48,1	45,6	42,0	37,3	31,5				
250-400/1600	160		85,8	407	56,9		56,4	56,2	55,6	54,2	52,0	48,9	44,7	39,4	33,0			
250-400/2000	200	425	86,5		62,7		62,0	61,6	60,9	59,6	57,6	54,9	51,2	46,5	40,6			
250-500/1600	160		82,3	420	61,1		61,6	60,8	59,2	56,4	52,2	46,3	38,1					
250-500/2000	200		84,5	448	70,3		71,0	70,7	69,6	67,6	64,1	59,0	51,8	42,3				
250-500/2500	250		84,6	477	80,5		81,0	80,6	79,7	78,2	75,6	71,8	66,3	58,8	48,9			
250-500/3150	315		84,9	508	92,6		93,3	92,7	91,6	90,0	87,6	84,5	80,3	74,8	67,8	58,9		
250-500/3550	355	523	85,0		98,3		99,0	98,4	97,3	95,7	93,6	90,6	86,8	81,9	75,7	68,0	58,5	

PUMP TYPE	P _N kW	ØF (1)	η _p % (2)	ØT (3)	Q = DELIVERY													
					l/s	0	92,8	132,3	171,9	211,4	251,0	290,5	330,1	369,6	409,1	448,7	488,2	527,8
					m ³ /h	0	334	476	619	761	903	1046	1188	1331	1473	1615	1758	1900
H = TOTAL HEAD METRES COLUMN OF WATER																		
300-350/750A	75		79,0	285	24,4		22,4	21,4	20,0	18,3	16,3	13,9	11,3	8,2				
300-350/750	75		82,2	315	30,5		28,1	26,8	25,3	23,4	21,2	18,7	15,9	12,7	9,1			
300-350/900	90		83,2	332	34,7		32,0	30,7	29,1	27,3	25,2	22,7	19,9	16,8	13,3			
300-350/1100	110	354	85,8		39,7		37,1	36,0	34,6	32,9	30,9	28,5	25,8	22,7	19,2	15,4		
300-400/1100	110		88,2	346	36,2		36,3	35,9	34,9	33,2	30,8	27,6	23,7	19,1				
300-400/1320	132		87,5	367	41,9		41,4	41,0	40,2	38,8	36,6	33,6	29,7	25,0	19,7			
300-400/1600	160		86,0	390	48,0		47,2	46,9	46,3	45,3	43,6	41,0	37,4	32,8	27,4	21,5		
300-400/2000	200		84,2	416	56,2		55,0	54,7	54,2	53,2	51,7	49,5	46,5	42,6	37,8	32,1		
300-400/2500	250	425	82,9		59,3		57,9	57,5	56,9	56,0	54,5	52,5	49,7	46,1	41,6	36,0	29,4	
300-450/1600	160		86,6	404	52,5	53,1	52,5	51,4	49,8	47,6	44,8	41,5	37,5	32,9				
300-450/2000	200		88,0	430	60,7		60,2	59,4	58,1	56,3	53,8	50,7	46,9	42,3	36,9			
300-450/2500	250		88,1	456	69,1		69,0	68,0	66,7	65,0	62,9	60,3	57,0	53,1	48,1			
300-450/3150	315	470	89,0		74,9		73,5	72,8	71,6	70,0	67,9	65,4	62,4	58,8	54,5	49,3		

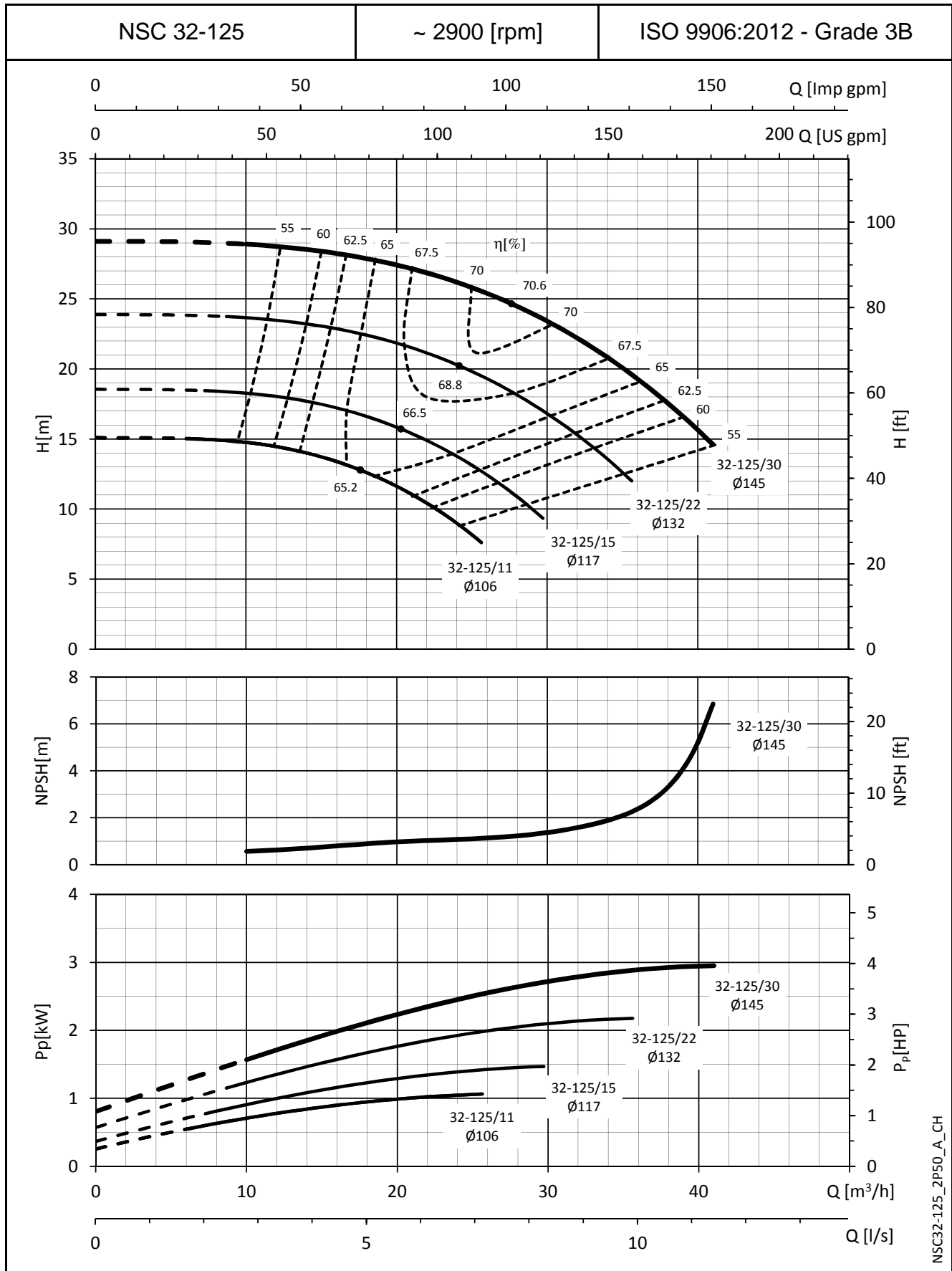
Hydraulic performances in compliance with ISO 9906:2012 - Grade 3B (ex ISO 9906:1999 - Annex A)

Nsc-200-300_4p50-en_b_th

(1) External diameter of full impeller (2) Hydraulic efficiency of pump (3) External diameter of trimmed impeller

e-NSC SERIES

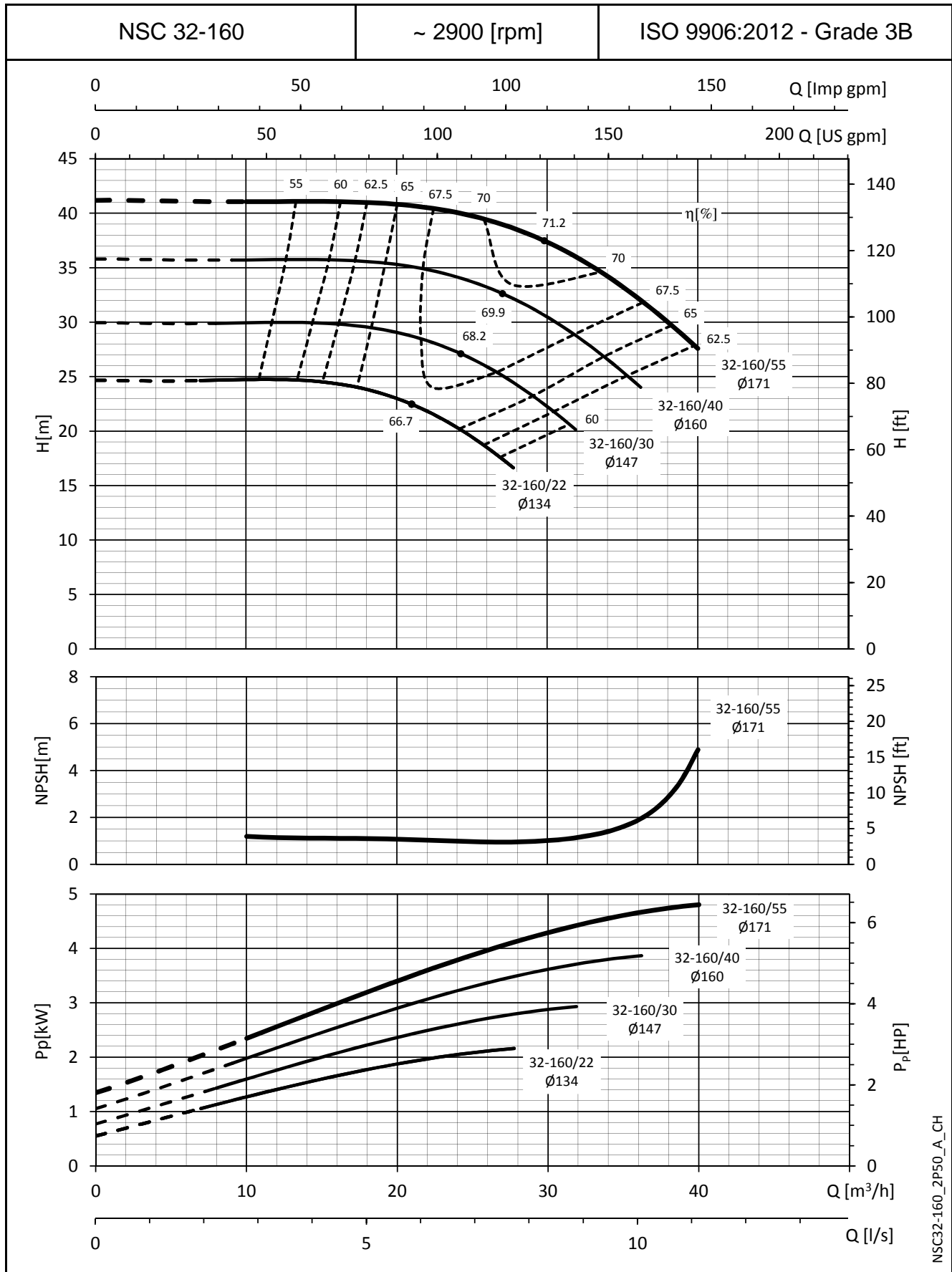
OPERATING CHARACTERISTICS AT 50 Hz, 2 POLES



The NPSH values are laboratory values; for practical use we suggest increasing these values by 0,5 m.
 These performances are valid for liquids with density $\rho = 1,0 \text{ Kg/dm}^3$ and kinematic viscosity $\nu = 1 \text{ mm}^2/\text{sec}$.

e-NSC SERIES

OPERATING CHARACTERISTICS AT 50 Hz, 2 POLES

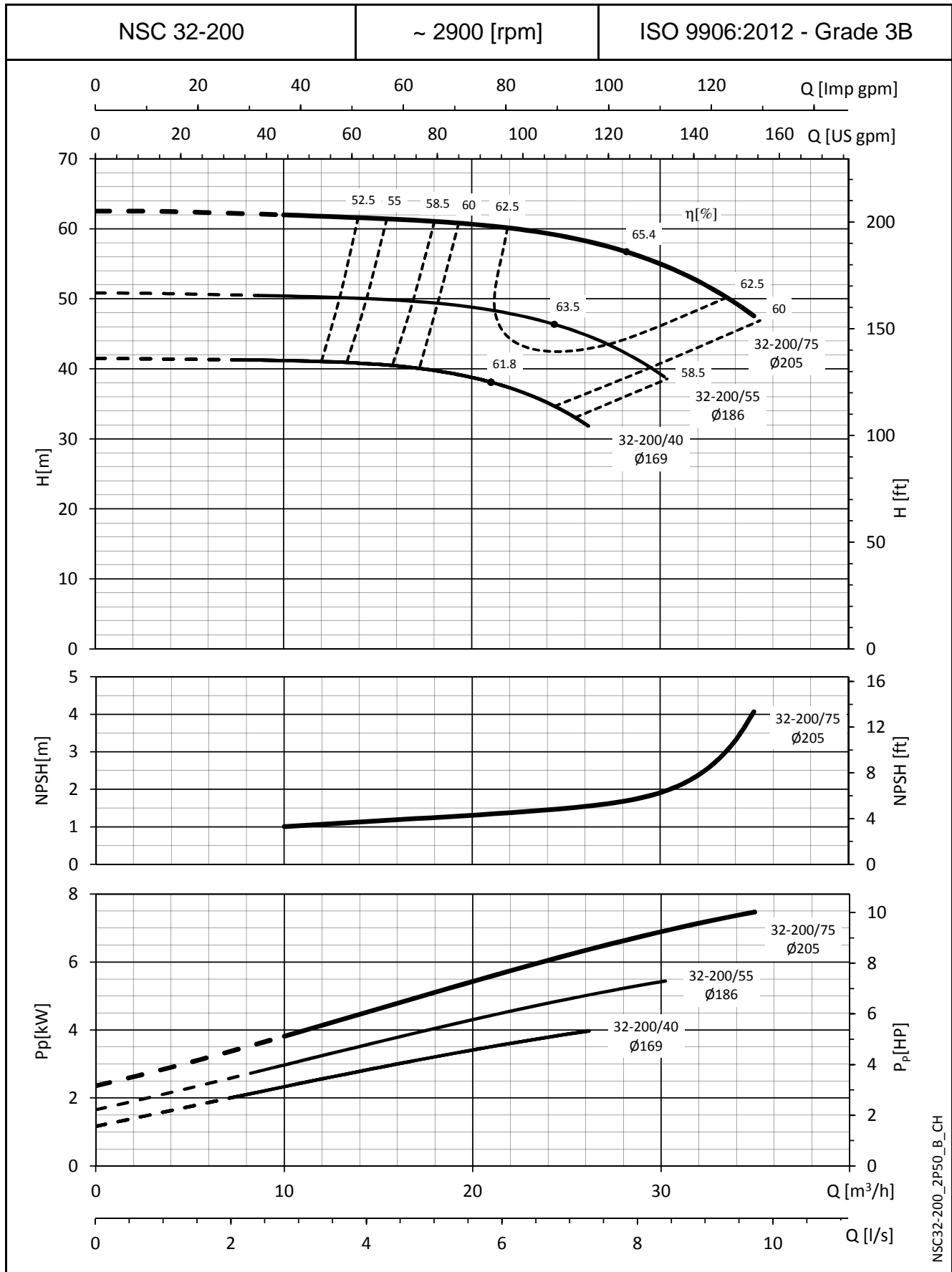


NSC32-160_2P50_A_CH

The NPSH values are laboratory values; for practical use we suggest increasing these values by 0,5 m.
 These performances are valid for liquids with density $\rho = 1,0 \text{ Kg/dm}^3$ and kinematic viscosity $\nu = 1 \text{ mm}^2/\text{sec}$.

e-NSC SERIES

OPERATING CHARACTERISTICS AT 50 Hz, 2 POLES

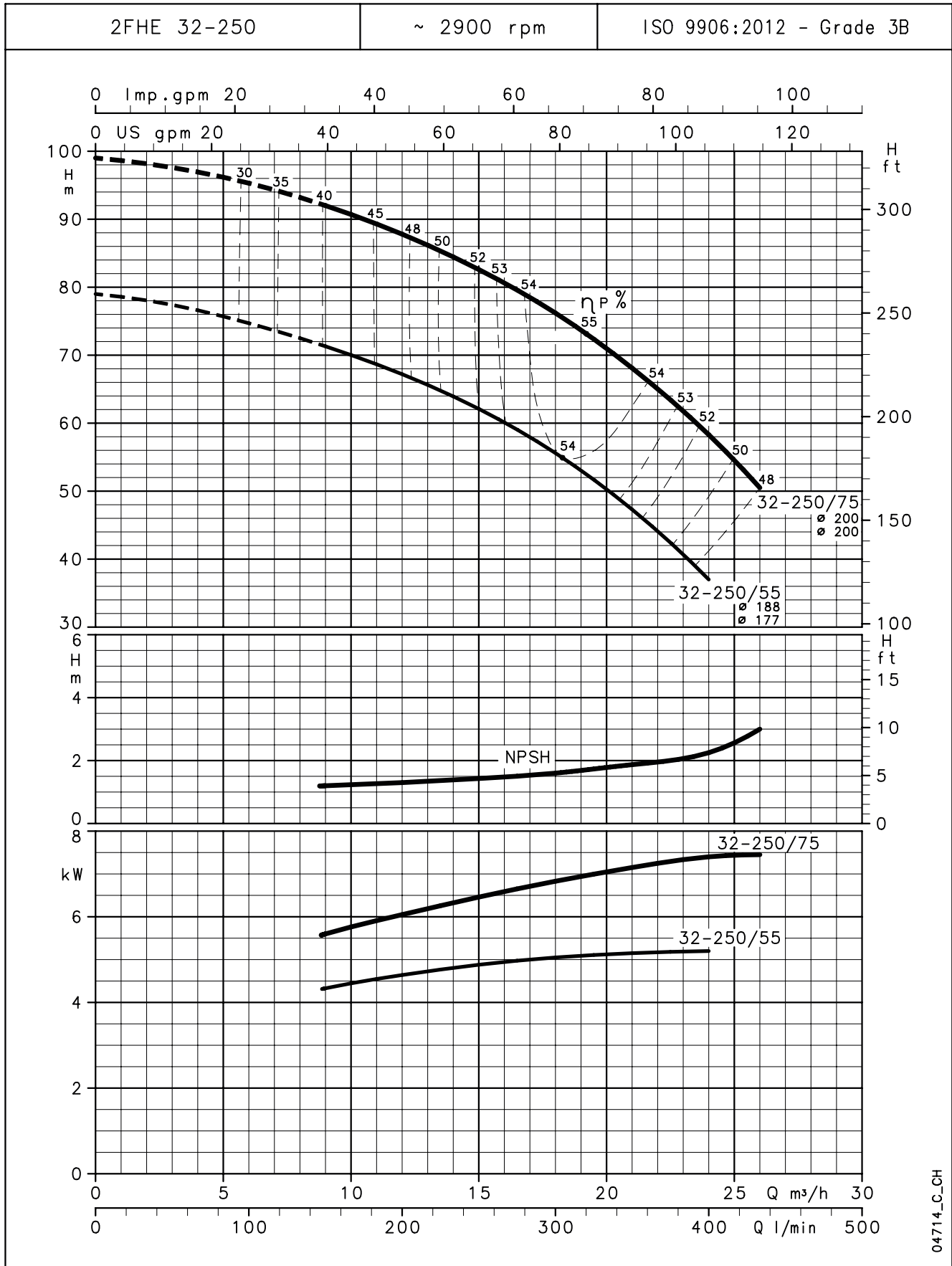


NSC32-200_2P50_B_CH

The NPSH values are laboratory values; for practical use we suggest increasing these values by 0,5 m.
 These performances are valid for liquids with density $\rho = 1,0 \text{ Kg/dm}^3$ and kinematic viscosity $\nu = 1 \text{ mm}^2/\text{sec}$.

2FHE SERIES

OPERATING CHARACTERISTICS AT 50 Hz, 2 POLES

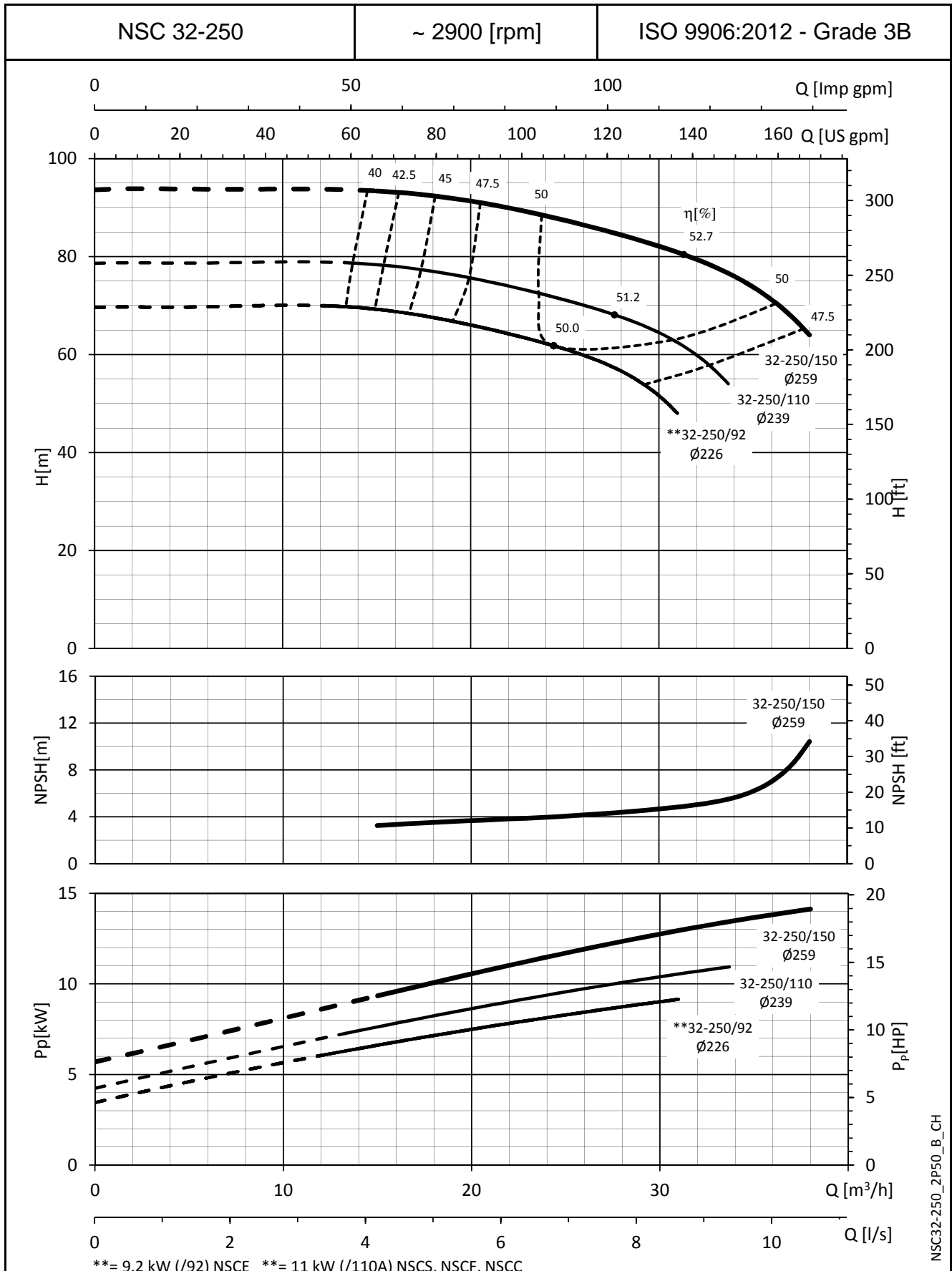


04714_C_CH

The NPSH values are laboratory values; for practical use we suggest increasing these values by 0,5 m.
 These performances are valid for liquids with density $\rho = 1,0 \text{ Kg/dm}^3$ and kinematic viscosity $\nu = 1 \text{ mm}^2/\text{sec}$.

e-NSC SERIES

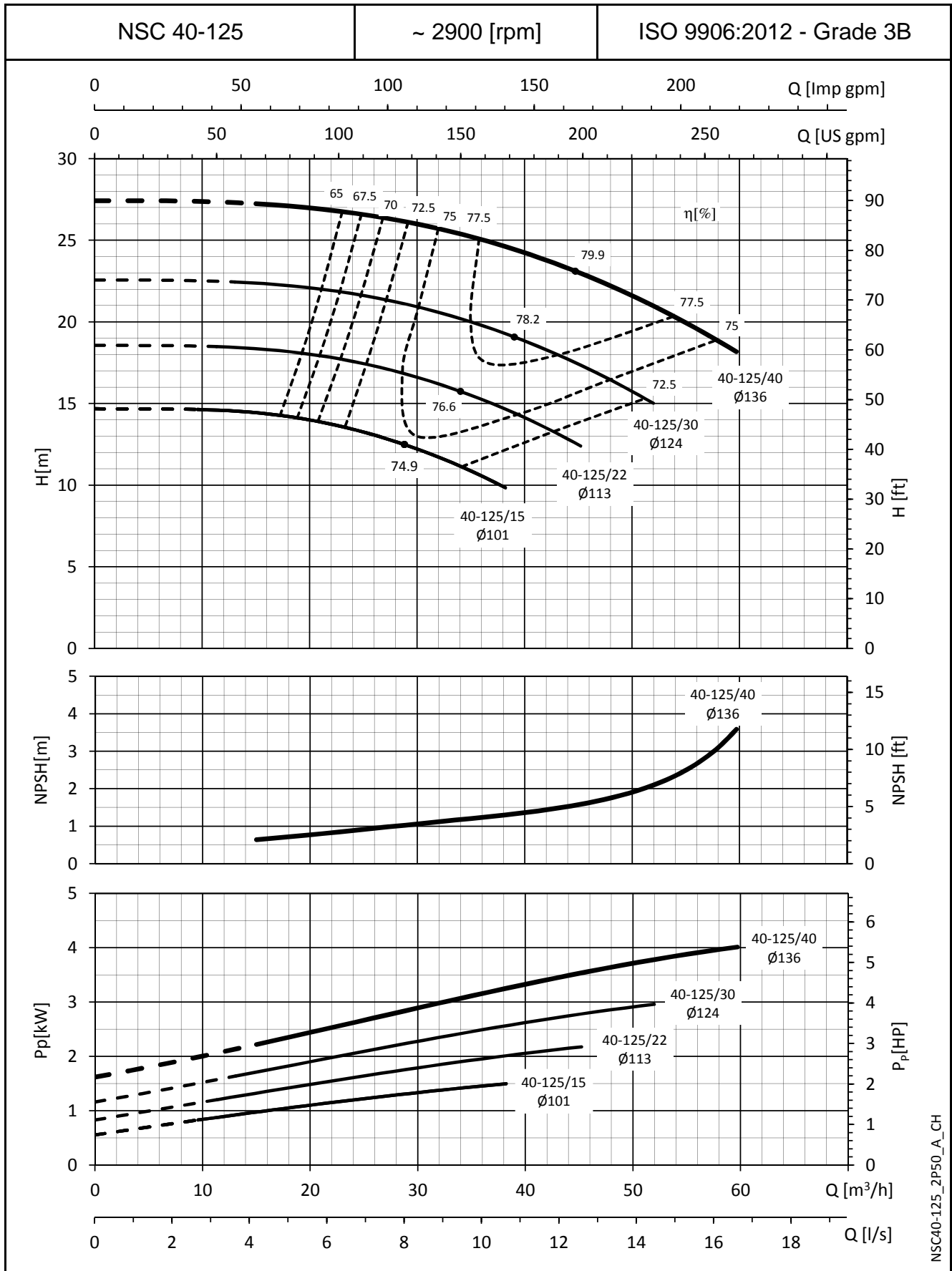
OPERATING CHARACTERISTICS AT 50 Hz, 2 POLES



The NPSH values are laboratory values; for practical use we suggest increasing these values by 0,5 m.
 These performances are valid for liquids with density $\rho = 1,0 \text{ Kg/dm}^3$ and kinematic viscosity $\nu = 1 \text{ mm}^2/\text{sec}$.

e-NSC SERIES

OPERATING CHARACTERISTICS AT 50 Hz, 2 POLES

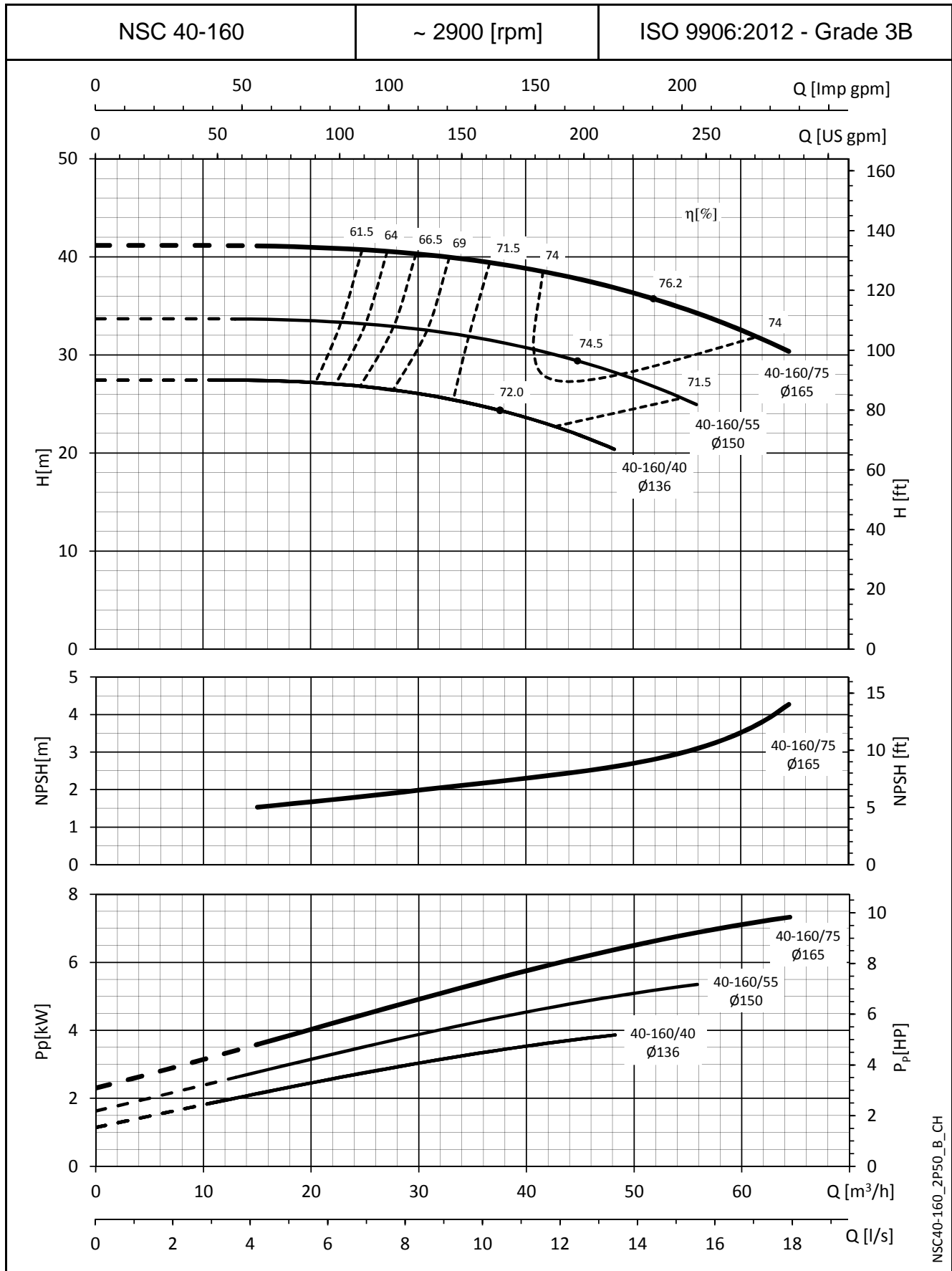


NSC40-125_2P50_A_CH

The NPSH values are laboratory values; for practical use we suggest increasing these values by 0,5 m.
 These performances are valid for liquids with density $\rho = 1,0 \text{ Kg/dm}^3$ and kinematic viscosity $\nu = 1 \text{ mm}^2/\text{sec}$.

e-NSC SERIES

OPERATING CHARACTERISTICS AT 50 Hz, 2 POLES

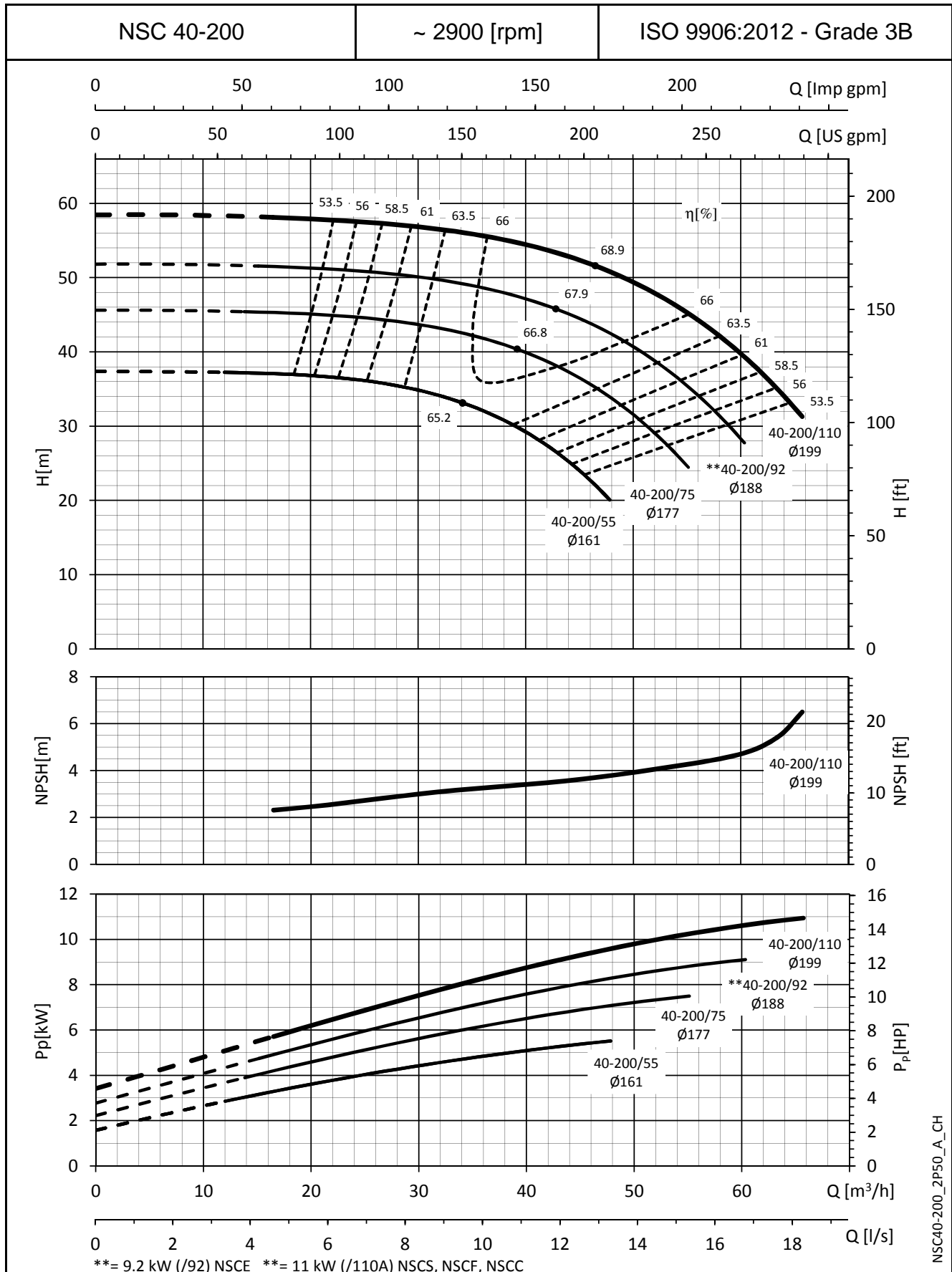


NSC40-160_2P50_B_CH

The NPSH values are laboratory values; for practical use we suggest increasing these values by 0,5 m.
 These performances are valid for liquids with density $\rho = 1,0 \text{ Kg/dm}^3$ and kinematic viscosity $\nu = 1 \text{ mm}^2/\text{sec}$.

e-NSC SERIES

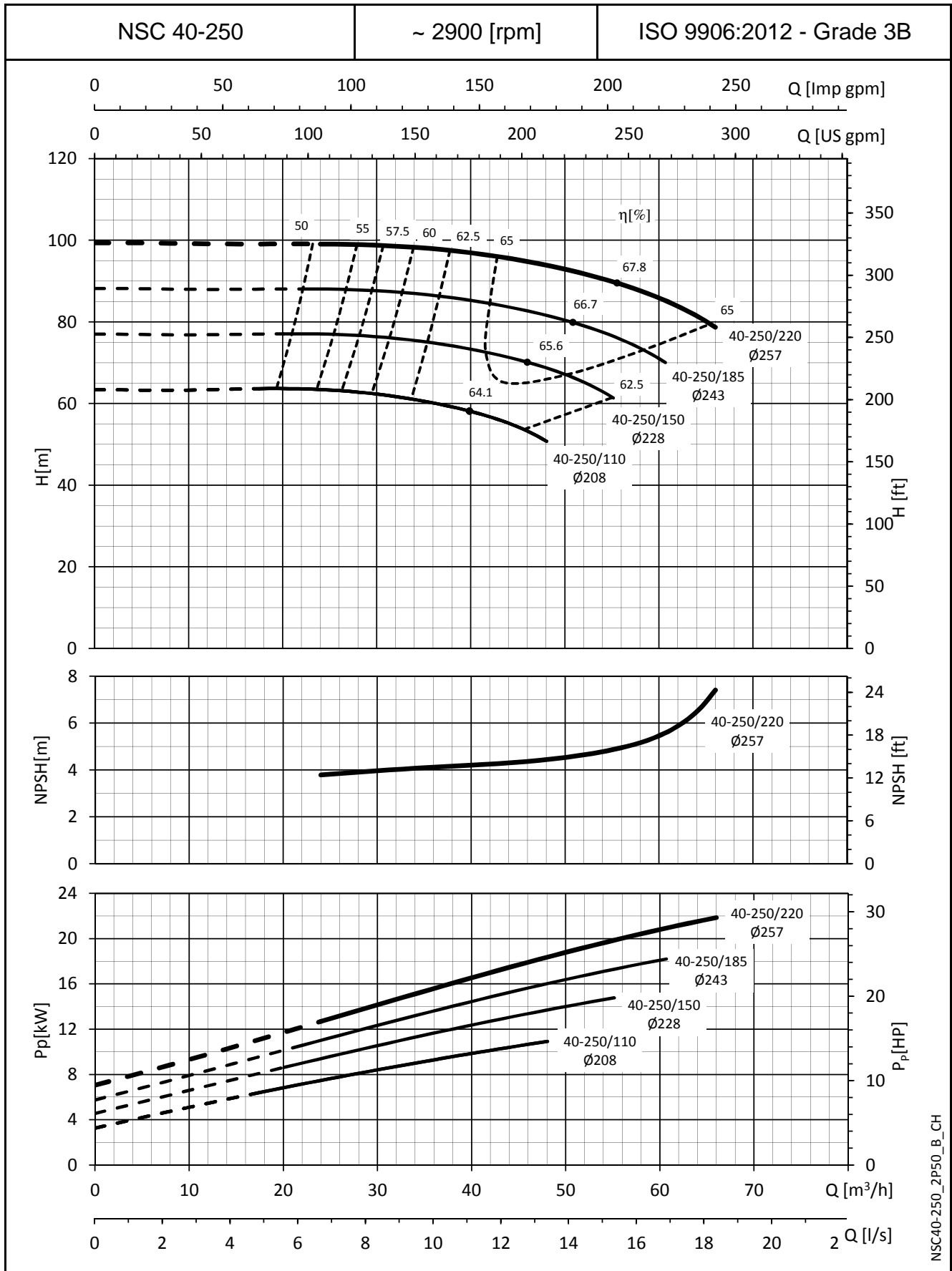
OPERATING CHARACTERISTICS AT 50 Hz, 2 POLES



The NPSH values are laboratory values; for practical use we suggest increasing these values by 0,5 m.
 These performances are valid for liquids with density $\rho = 1,0 \text{ Kg/dm}^3$ and kinematic viscosity $\nu = 1 \text{ mm}^2/\text{sec}$.

e-NSC SERIES

OPERATING CHARACTERISTICS AT 50 Hz, 2 POLES

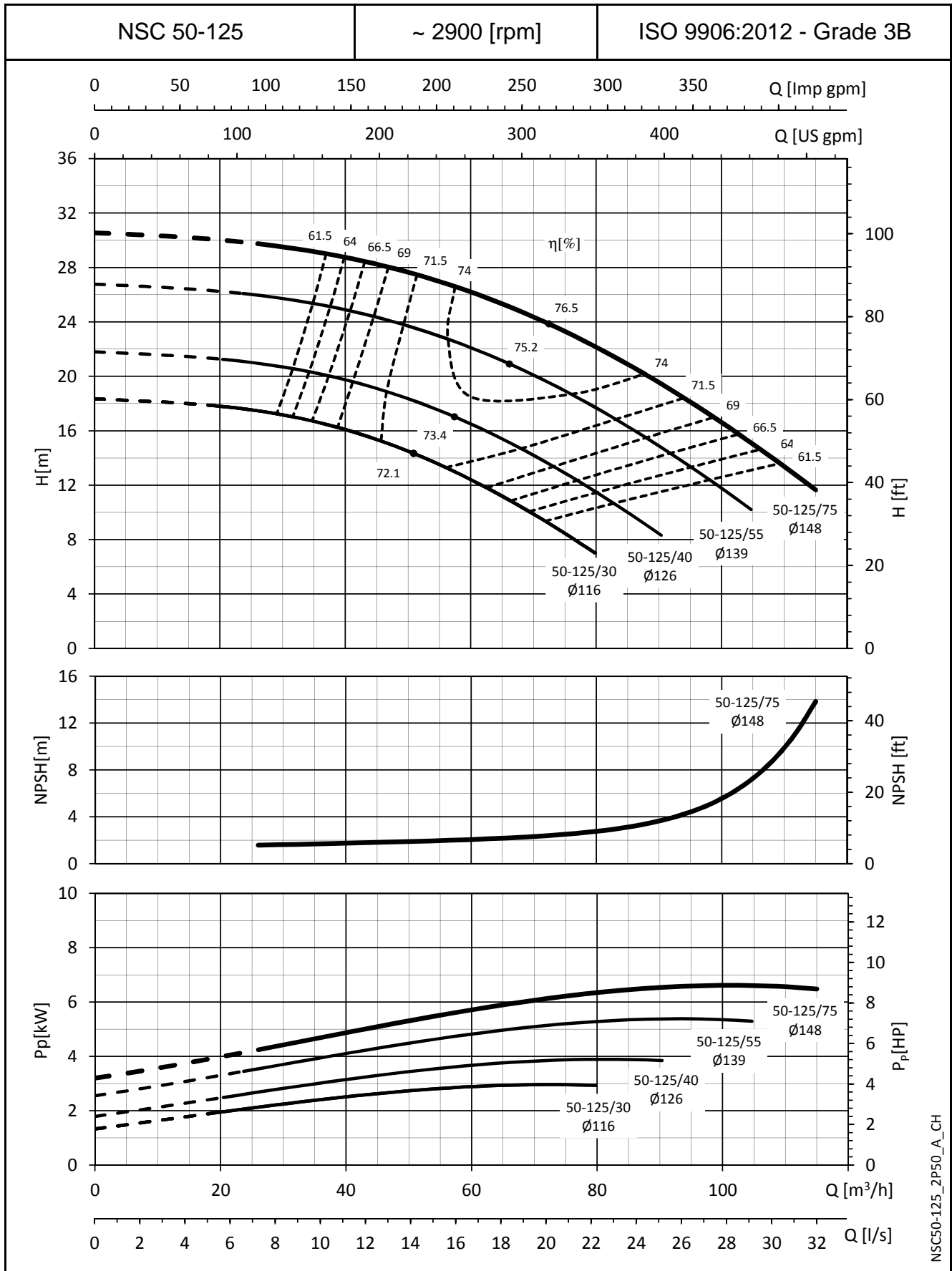


NSC40-250_2P50_B_CH

The NPSH values are laboratory values; for practical use we suggest increasing these values by 0,5 m.
 These performances are valid for liquids with density $\rho = 1,0 \text{ Kg/dm}^3$ and kinematic viscosity $\nu = 1 \text{ mm}^2/\text{sec}$.

e-NSC SERIES

OPERATING CHARACTERISTICS AT 50 Hz, 2 POLES

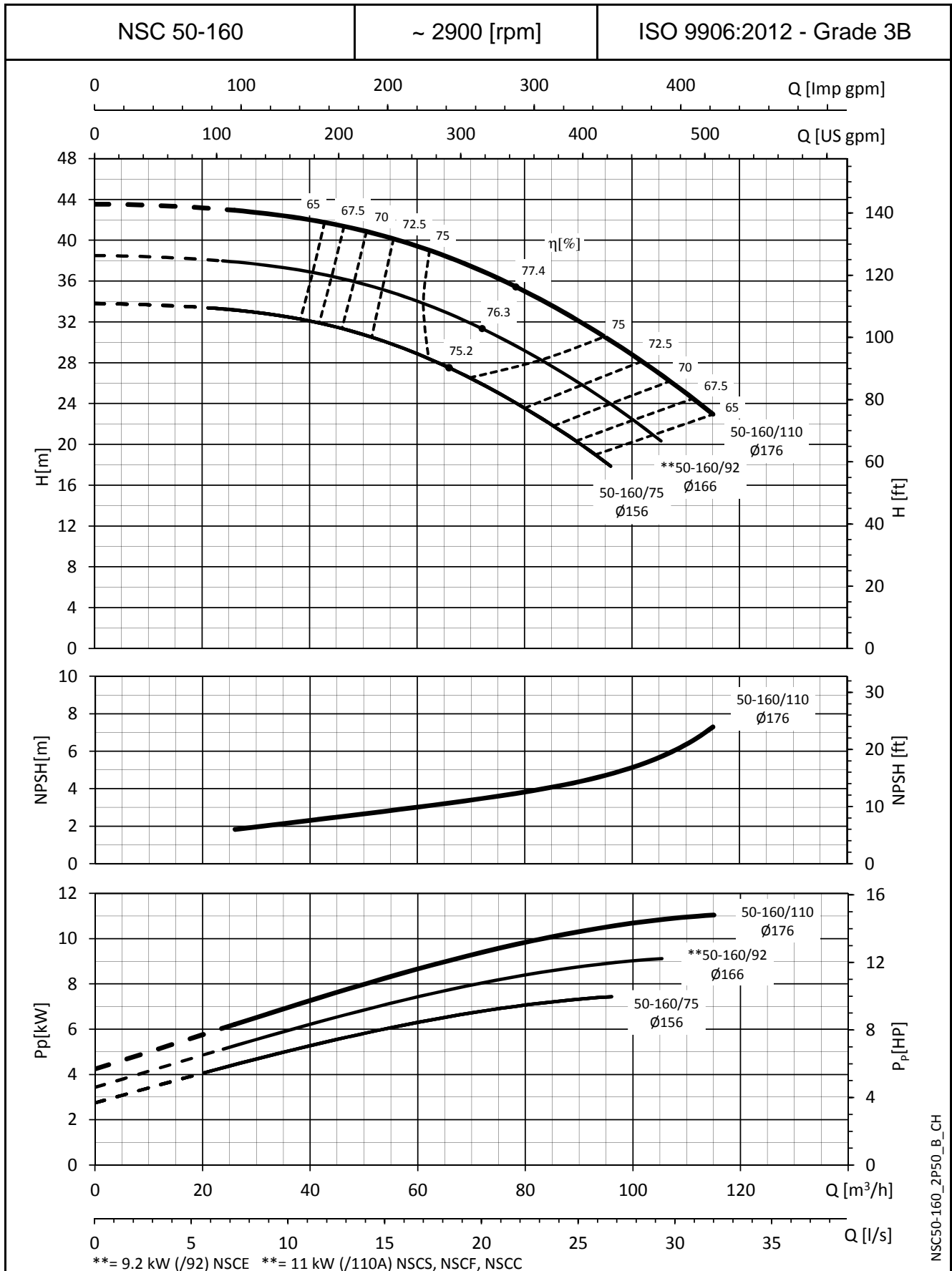


NSC50-125_2P50_A_CH

The NPSH values are laboratory values; for practical use we suggest increasing these values by 0,5 m.
 These performances are valid for liquids with density $\rho = 1,0 \text{ Kg/dm}^3$ and kinematic viscosity $\nu = 1 \text{ mm}^2/\text{sec}$.

e-NSC SERIES

OPERATING CHARACTERISTICS AT 50 Hz, 2 POLES

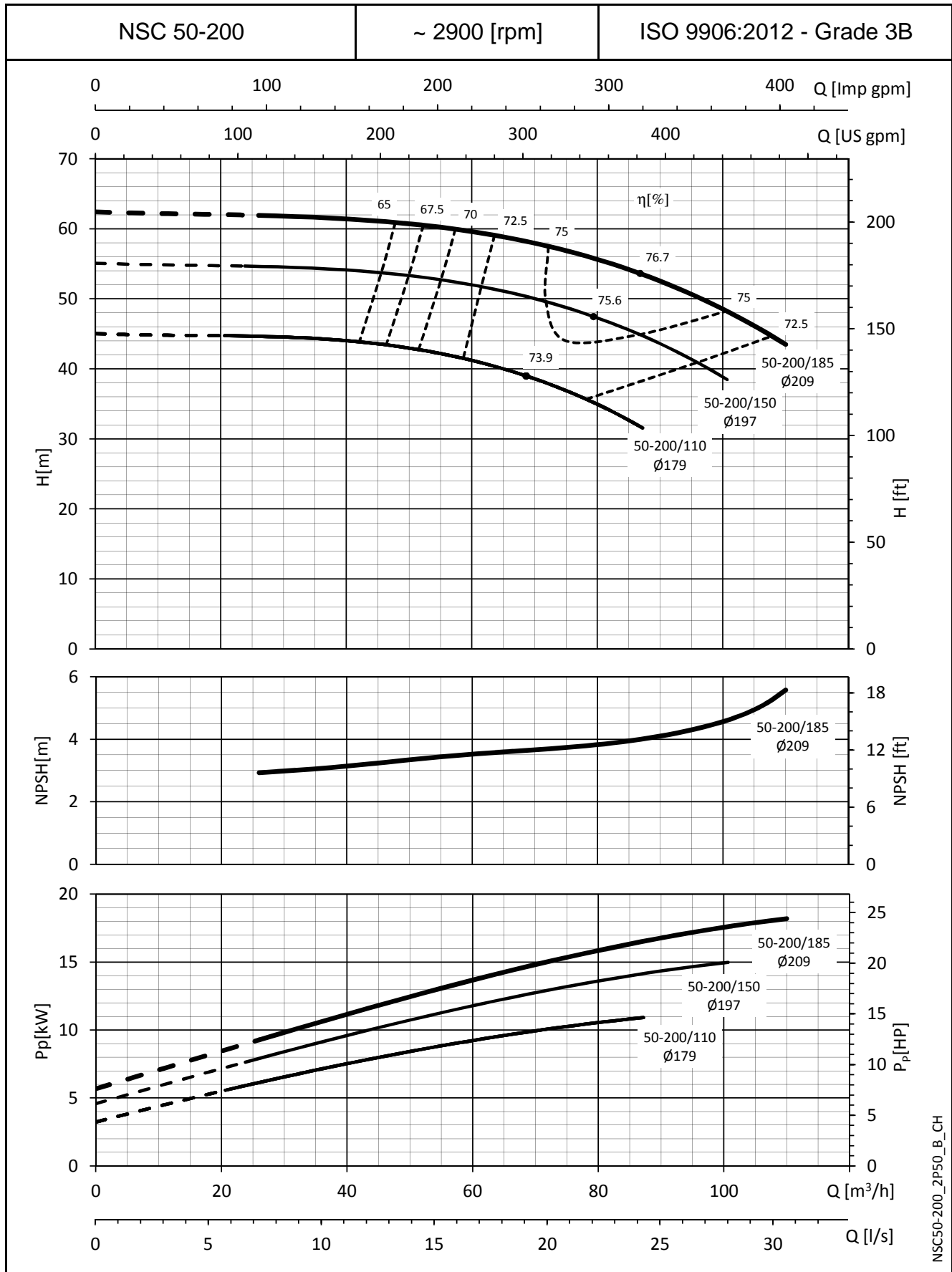


NSC50-160_2P50_B_CH

The NPSH values are laboratory values; for practical use we suggest increasing these values by 0,5 m.
 These performances are valid for liquids with density $\rho = 1,0 \text{ Kg/dm}^3$ and kinematic viscosity $\nu = 1 \text{ mm}^2/\text{sec}$.

e-NSC SERIES

OPERATING CHARACTERISTICS AT 50 Hz, 2 POLES

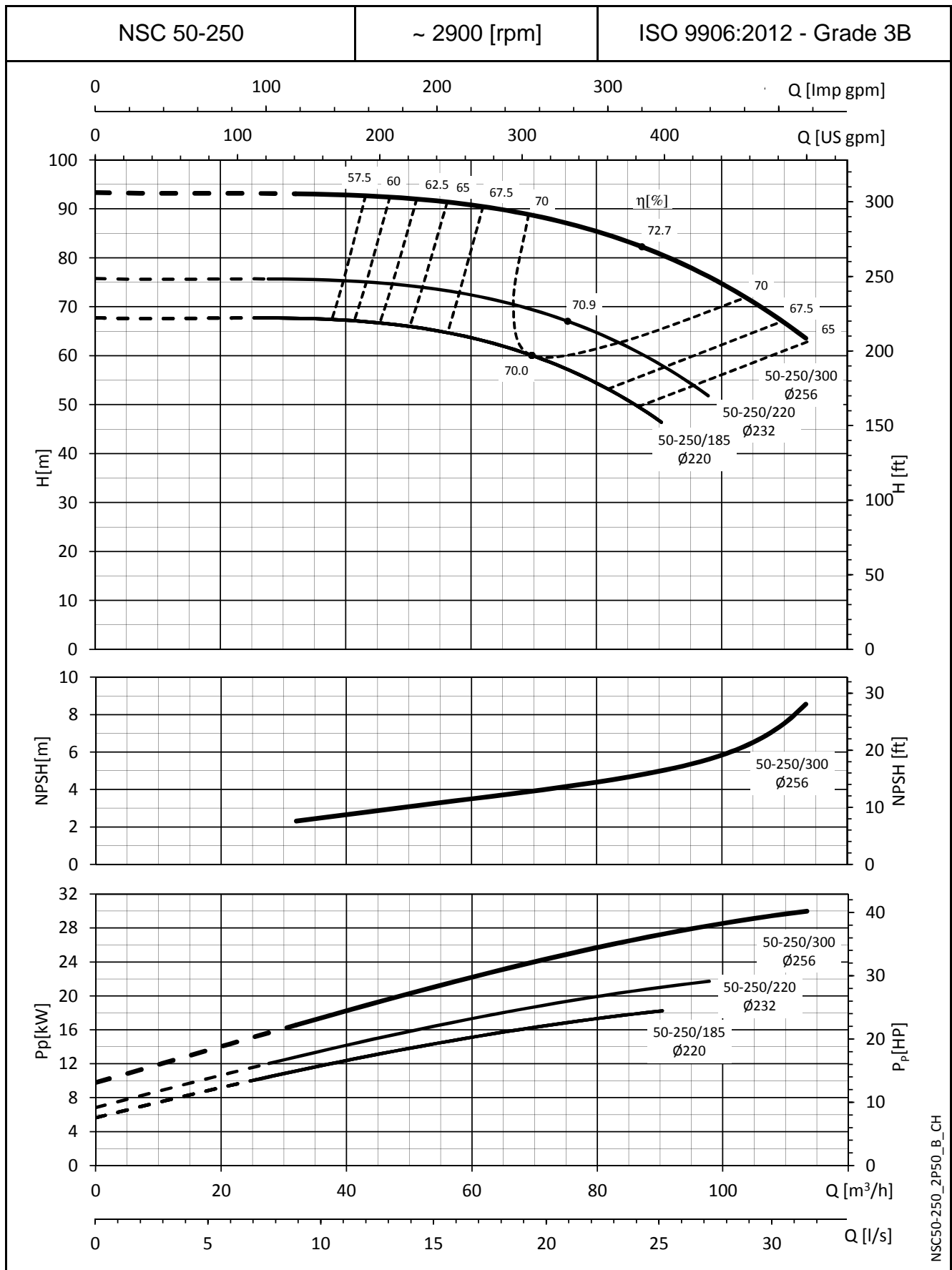


NSC50-200_2P50_B_CH

The NPSH values are laboratory values; for practical use we suggest increasing these values by 0,5 m.
 These performances are valid for liquids with density $\rho = 1,0 \text{ Kg/dm}^3$ and kinematic viscosity $\nu = 1 \text{ mm}^2/\text{sec}$.

e-NSC SERIES

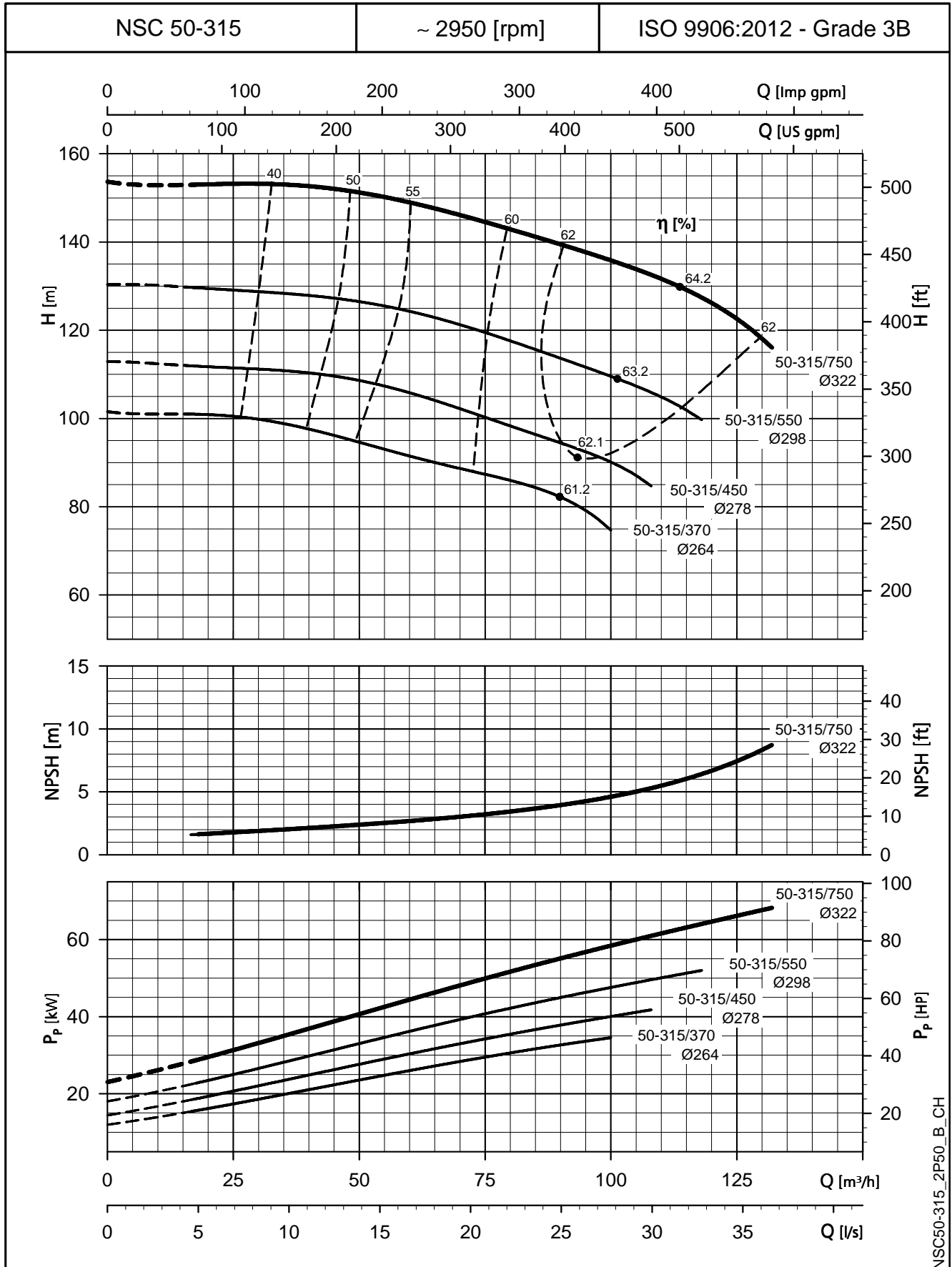
OPERATING CHARACTERISTICS AT 50 Hz, 2 POLES



The NPSH values are laboratory values; for practical use we suggest increasing these values by 0,5 m.
 These performances are valid for liquids with density $\rho = 1,0 \text{ Kg/dm}^3$ and kinematic viscosity $\nu = 1 \text{ mm}^2/\text{sec}$.

e-NSC SERIES

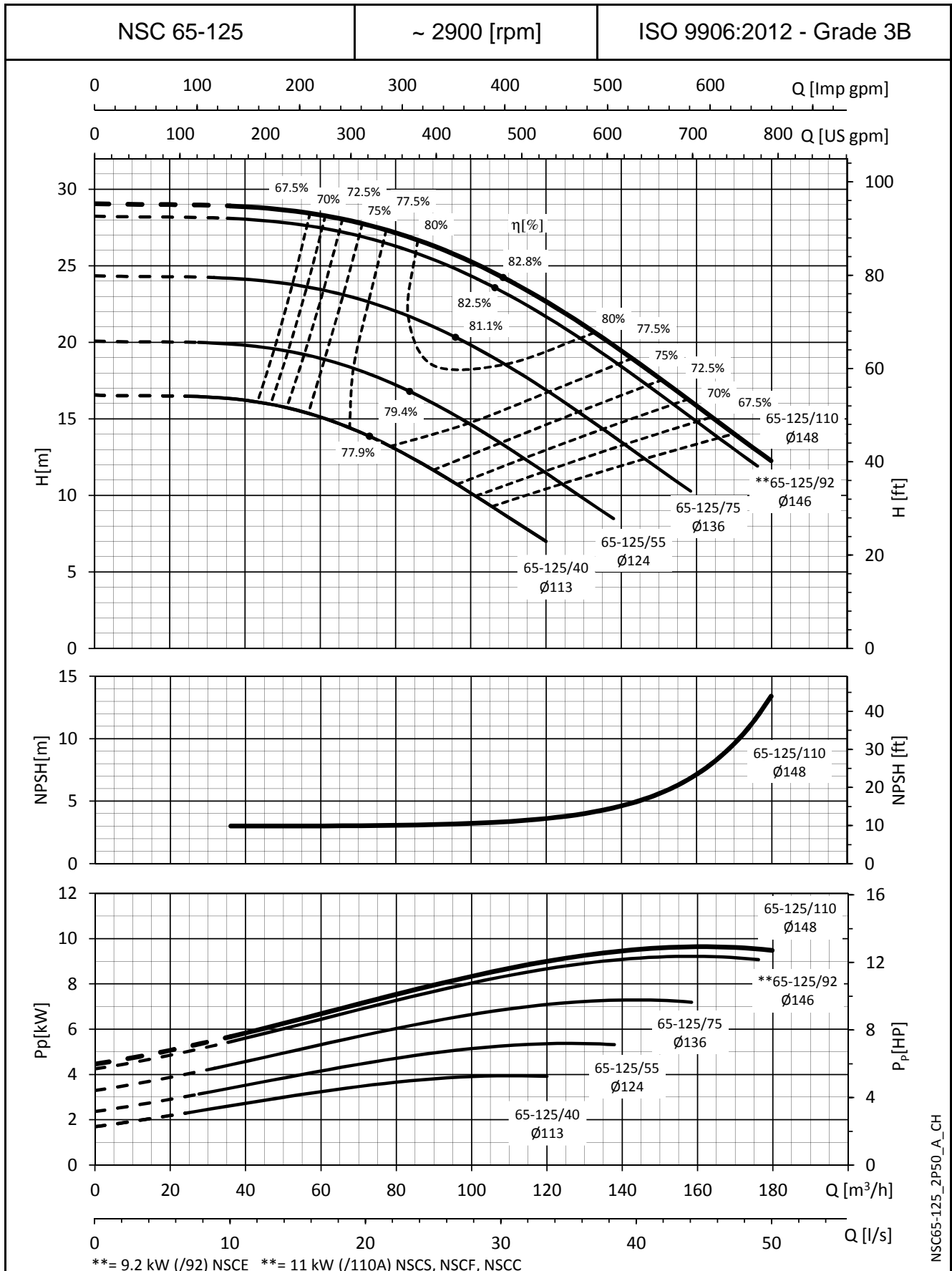
OPERATING CHARACTERISTICS AT 50 Hz, 2 POLES



The NPSH values are laboratory values; for practical use we suggest increasing these values by 0,5 m.
 These performances are valid for liquids with density $\rho = 1,0 \text{ Kg/dm}^3$ and kinematic viscosity $\nu = 1 \text{ mm}^2/\text{h}$.

e-NSC SERIES

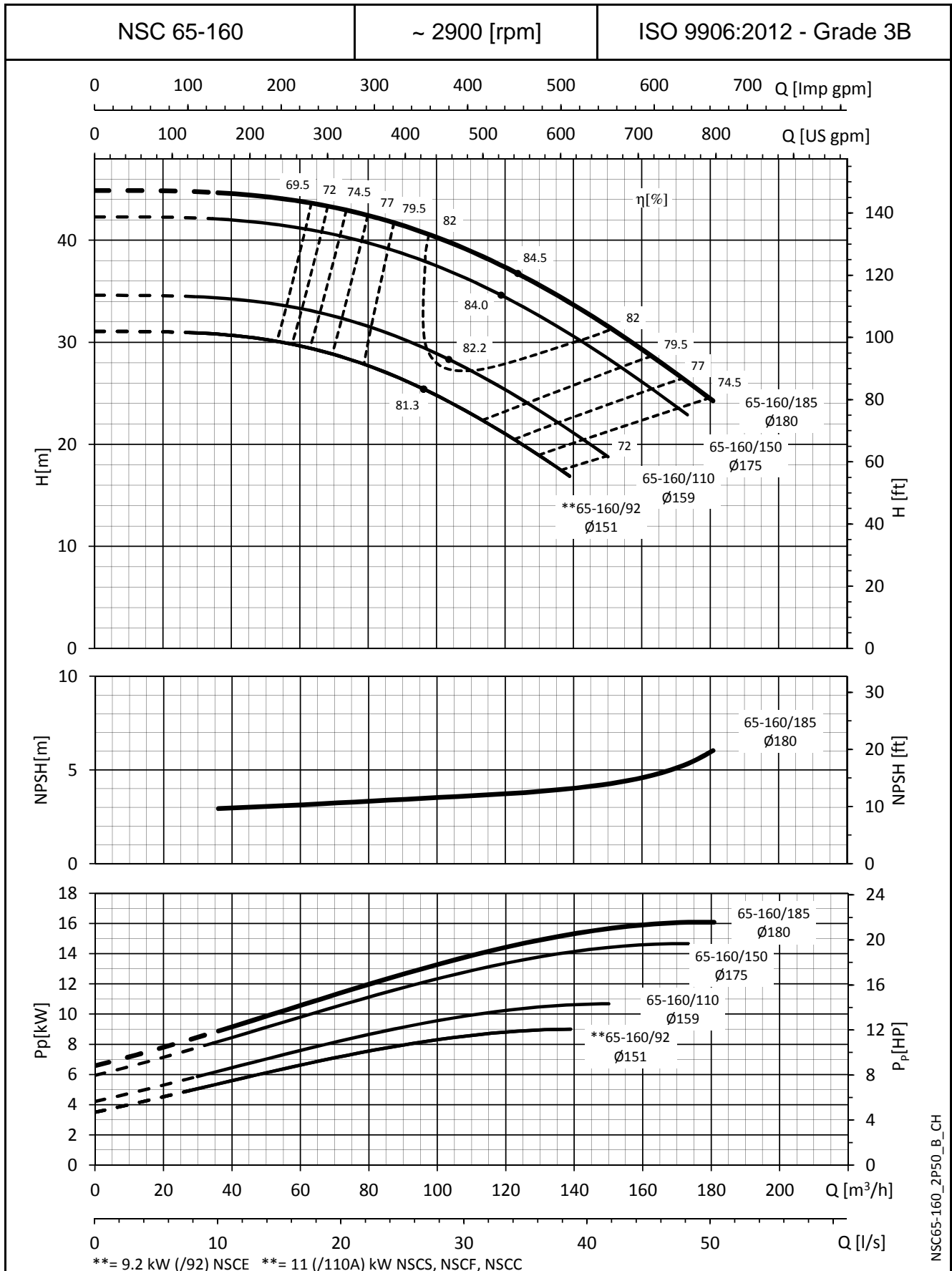
OPERATING CHARACTERISTICS AT 50 Hz, 2 POLES



The NPSH values are laboratory values; for practical use we suggest increasing these values by 0,5 m.
 These performances are valid for liquids with density $\rho = 1,0 \text{ Kg/dm}^3$ and kinematic viscosity $\nu = 1 \text{ mm}^2/\text{sec}$.

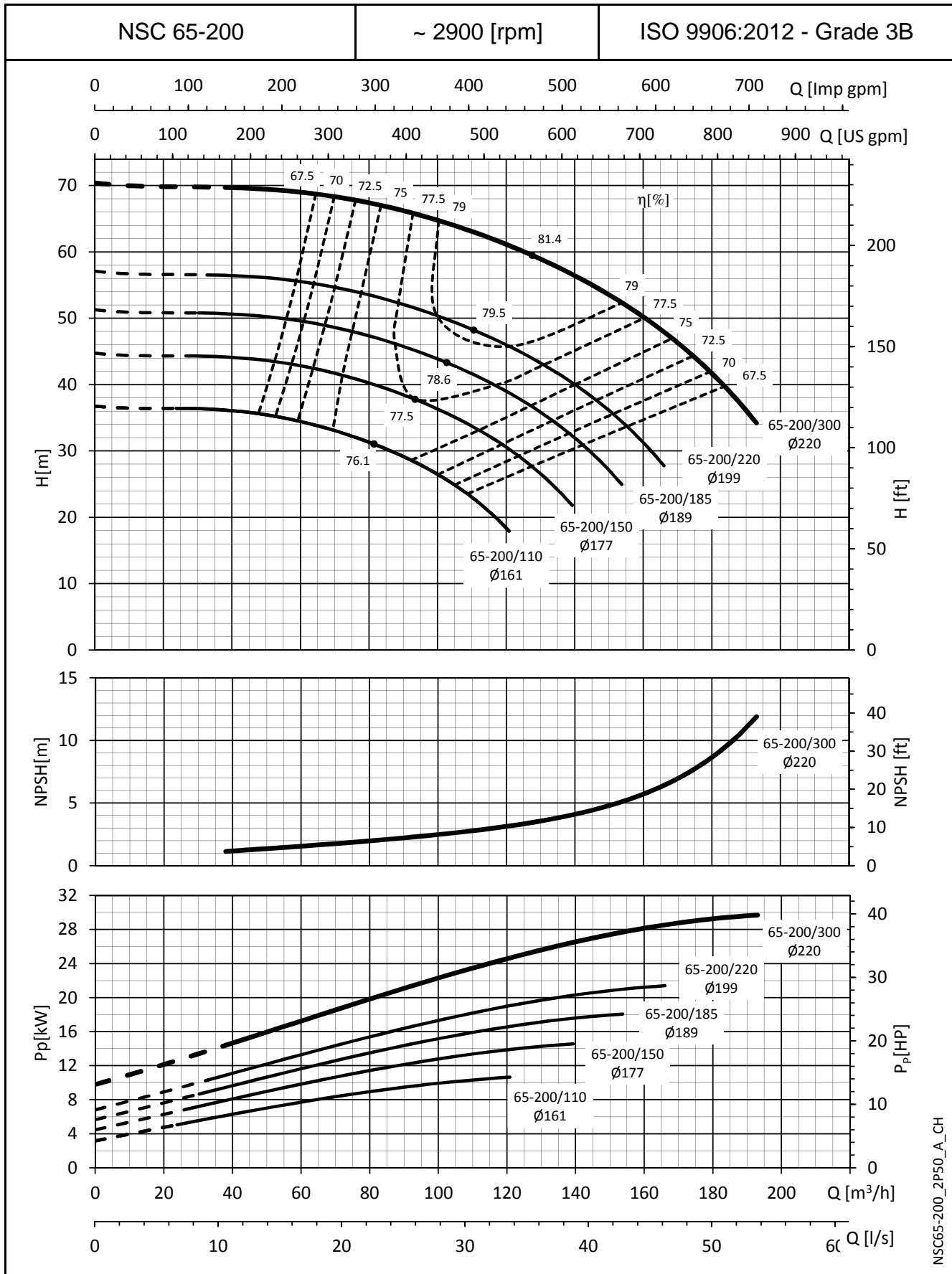
e-NSC SERIES

OPERATING CHARACTERISTICS AT 50 Hz, 2 POLES



The NPSH values are laboratory values; for practical use we suggest increasing these values by 0,5 m.
 These performances are valid for liquids with density $\rho = 1,0 \text{ Kg/dm}^3$ and kinematic viscosity $\nu = 1 \text{ mm}^2/\text{sec}$.

e-NSC SERIES
OPERATING CHARACTERISTICS AT 50 Hz, 2 POLES

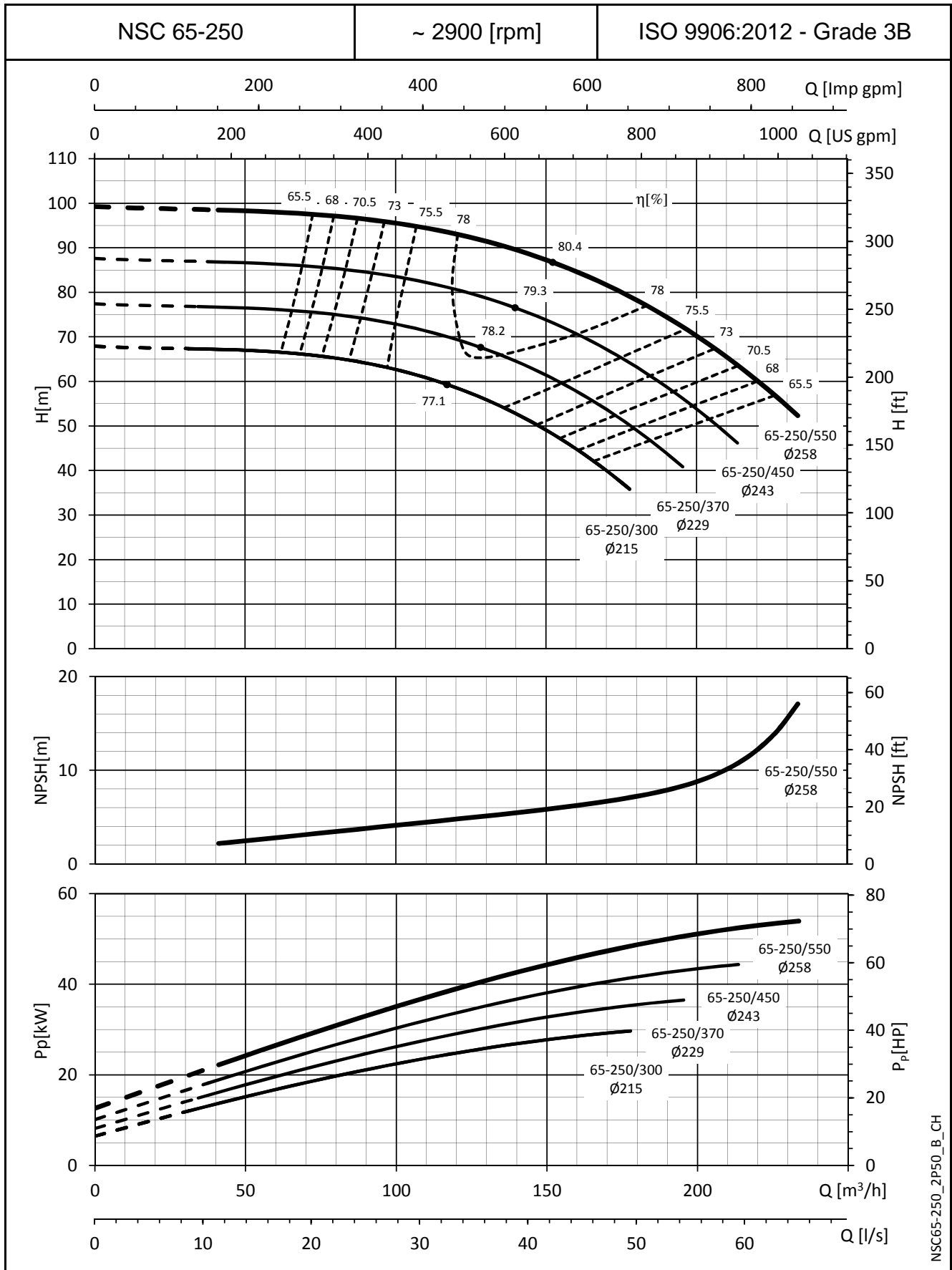


NSC65-200_2P50_A_CH

The NPSH values are laboratory values; for practical use we suggest increasing these values by 0,5 m.
 These performances are valid for liquids with density $\rho = 1,0 \text{ Kg/dm}^3$ and kinematic viscosity $\nu = 1 \text{ mm}^2/\text{sec}$.

e-NSC SERIES

OPERATING CHARACTERISTICS AT 50 Hz, 2 POLES

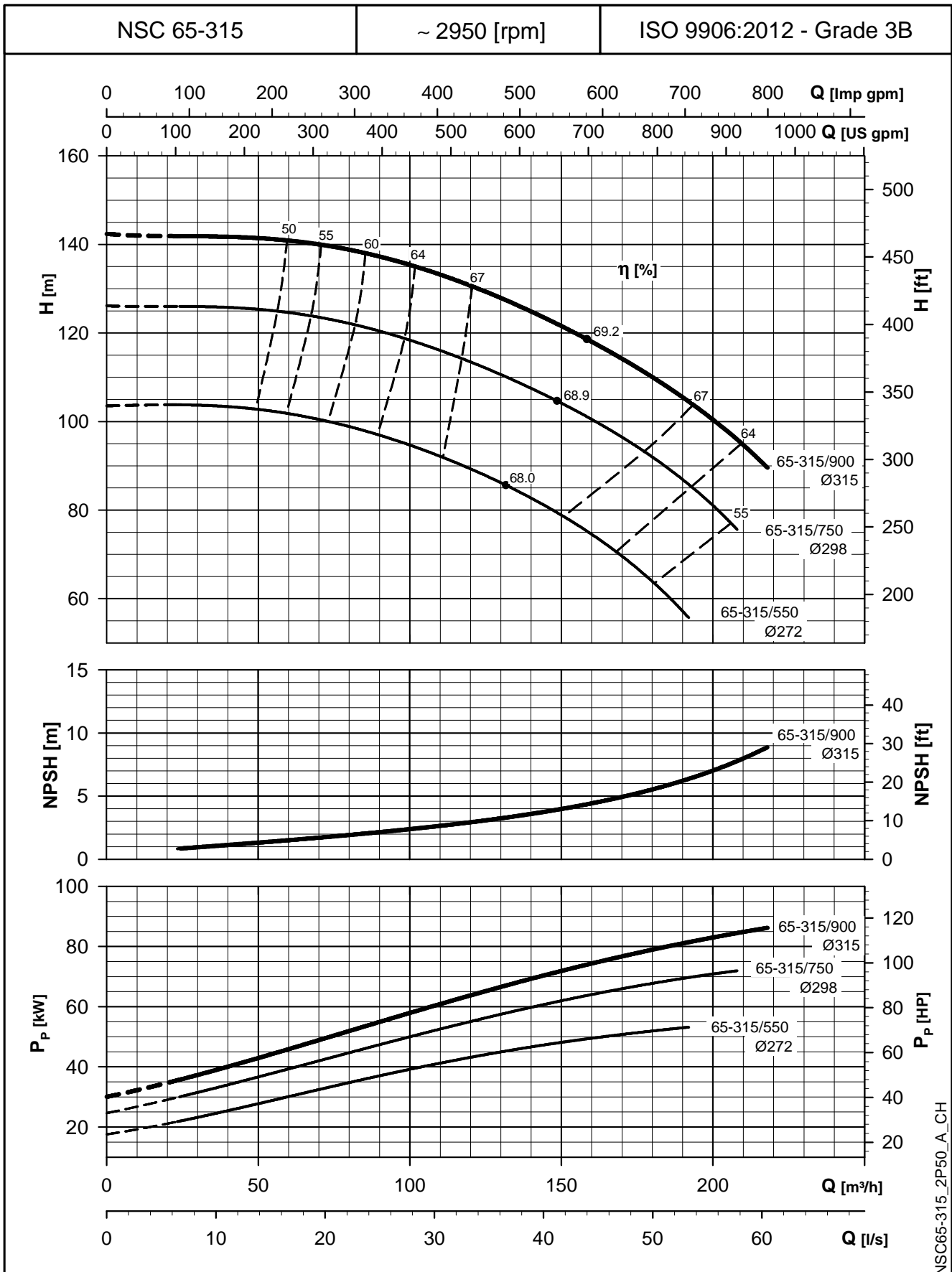


NSC65-250_2P50_B_CH

The NPSH values are laboratory values; for practical use we suggest increasing these values by 0,5 m.
 These performances are valid for liquids with density $\rho = 1,0 \text{ Kg/dm}^3$ and kinematic viscosity $\nu = 1 \text{ mm}^2/\text{sec}$.

e-NSC SERIES

OPERATING CHARACTERISTICS AT 50 Hz, 2 POLES

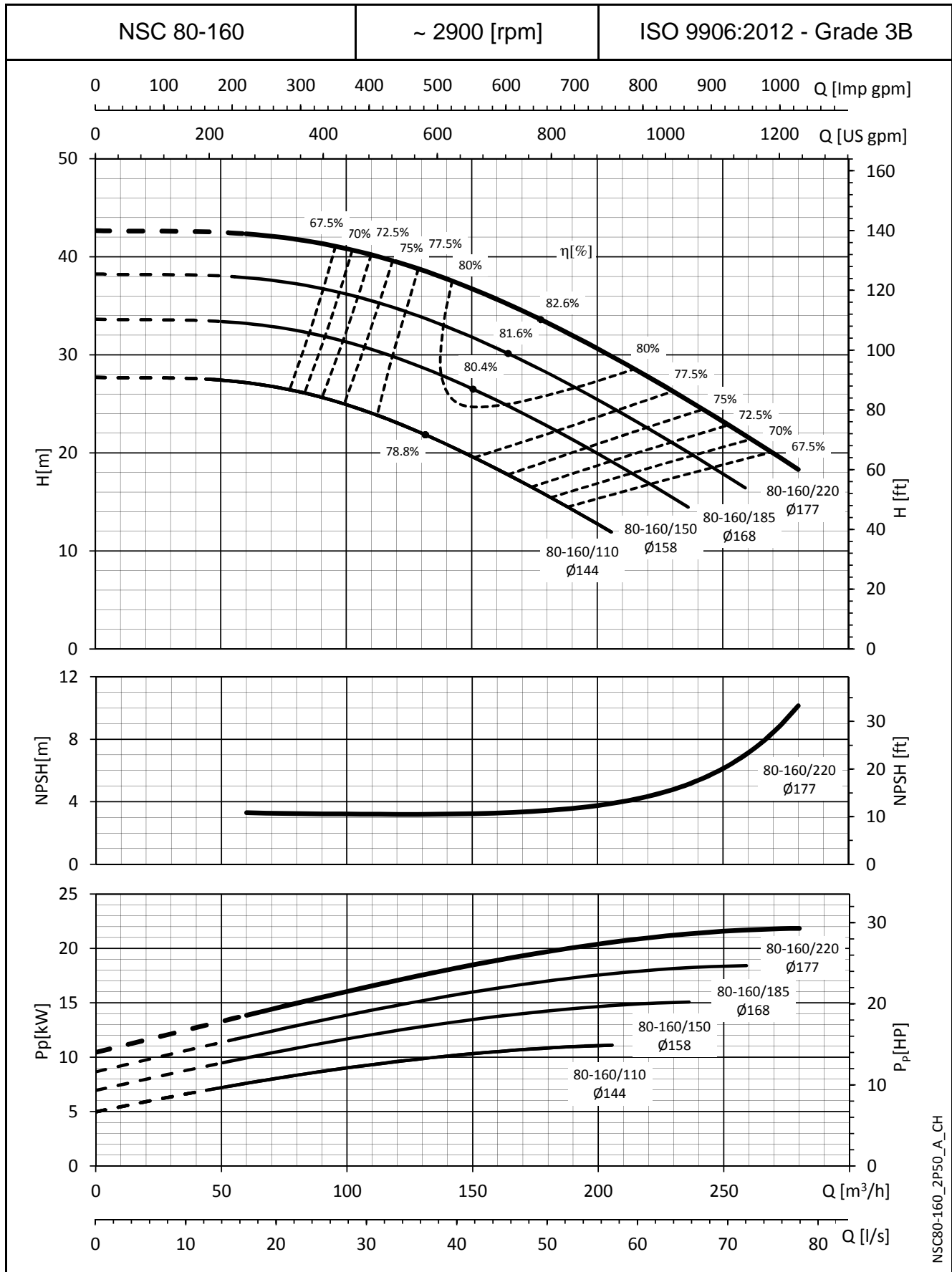


NSC65-315_2P50_A_CH

The NPSH values are laboratory values; for practical use we suggest increasing these values by 0,5 m.
 These performances are valid for liquids with density $\rho = 1,0 \text{ Kg/dm}^3$ and kinematic viscosity $\nu = 1 \text{ mm}^2/\text{sec}$.

e-NSC SERIES

OPERATING CHARACTERISTICS AT 50 Hz, 2 POLES

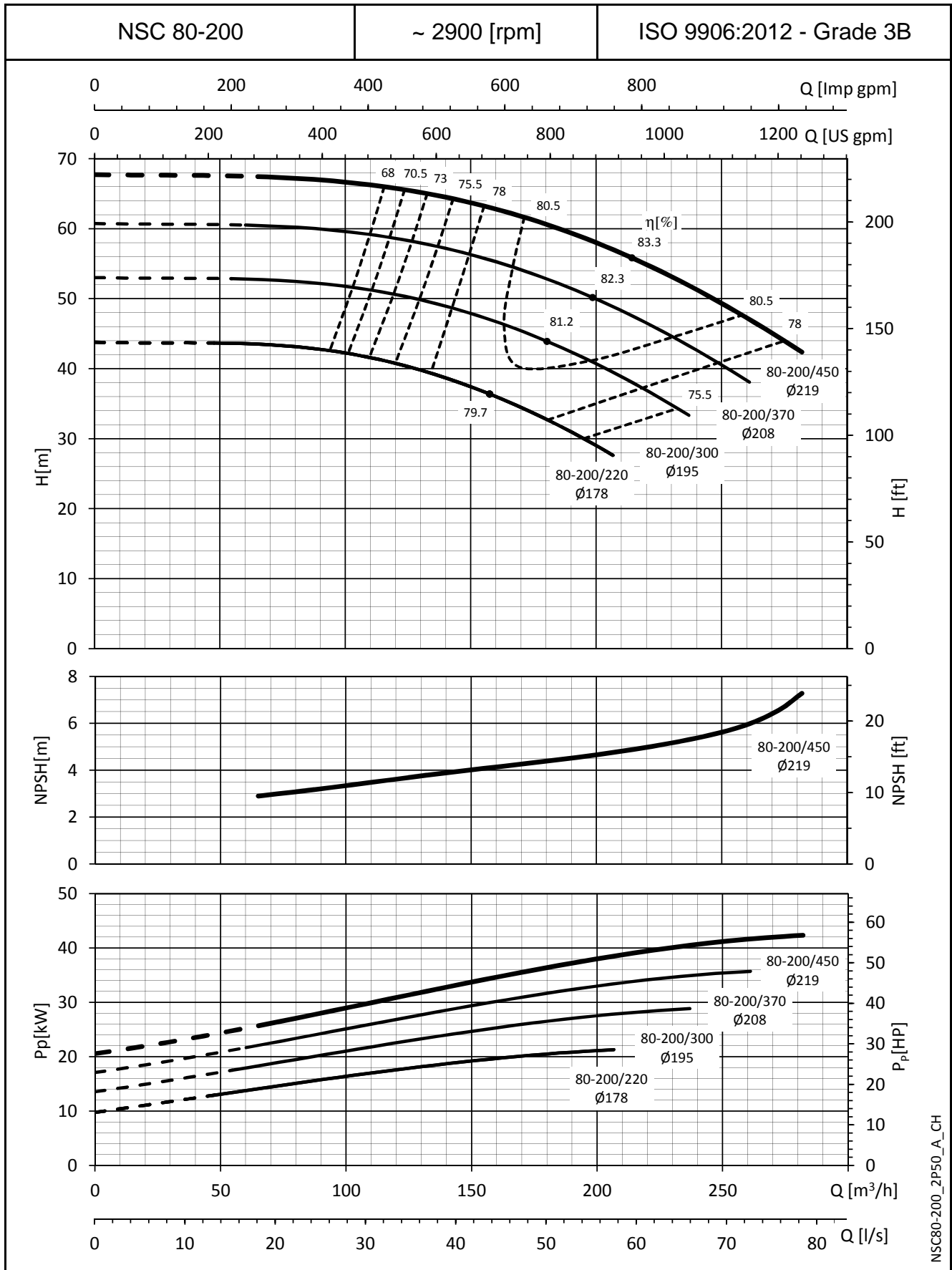


NSC80-160_2P50_A_CH

The NPSH values are laboratory values; for practical use we suggest increasing these values by 0,5 m.
 These performances are valid for liquids with density $\rho = 1,0 \text{ Kg/dm}^3$ and kinematic viscosity $\nu = 1 \text{ mm}^2/\text{sec}$.

e-NSC SERIES

OPERATING CHARACTERISTICS AT 50 Hz, 2 POLES

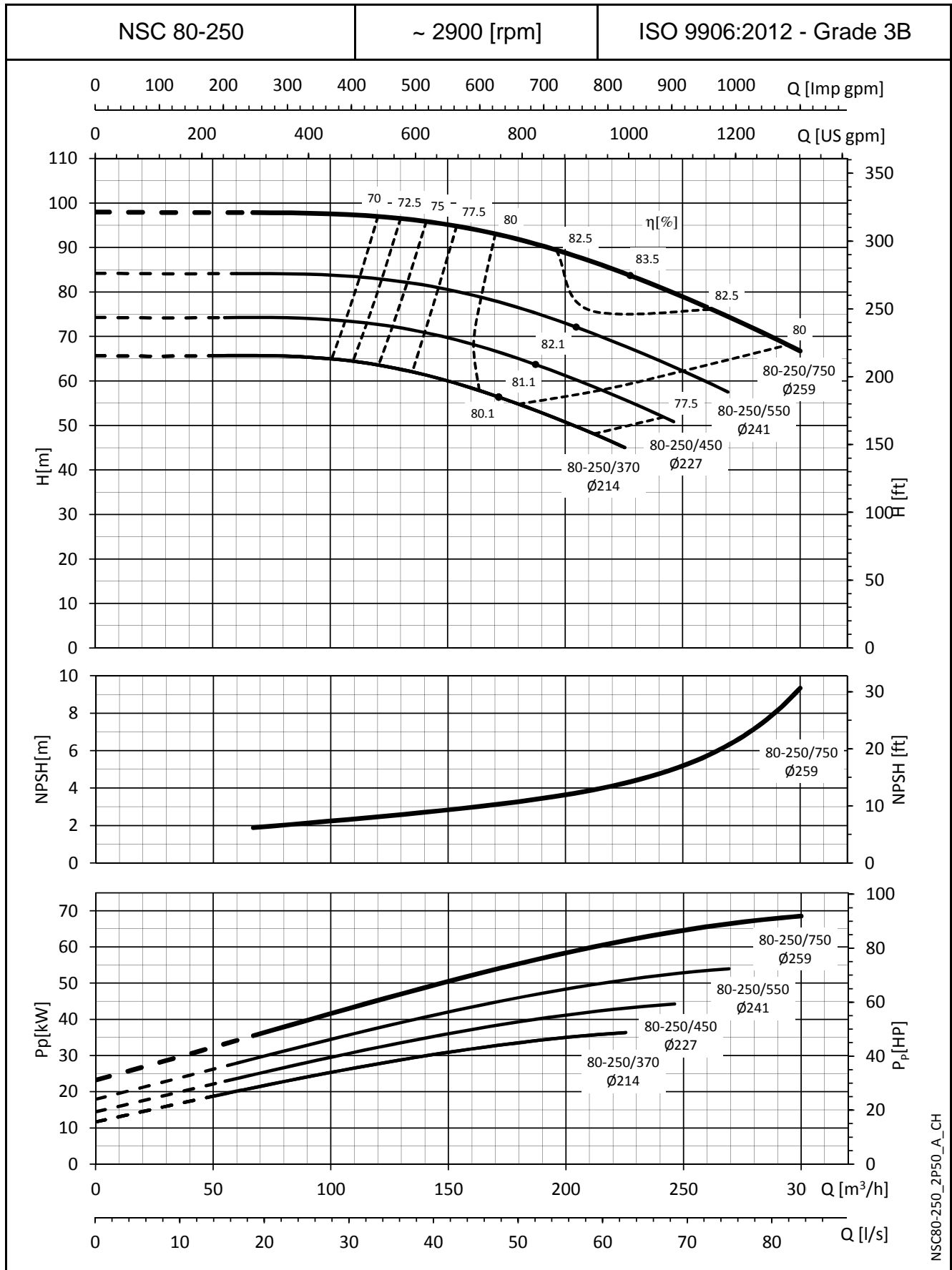


NSC80-200_2P50_A_CH

The NPSH values are laboratory values; for practical use we suggest increasing these values by 0,5 m.
 These performances are valid for liquids with density $\rho = 1,0 \text{ Kg/dm}^3$ and kinematic viscosity $\nu = 1 \text{ mm}^2/\text{sec}$.

e-NSC SERIES

OPERATING CHARACTERISTICS AT 50 Hz, 2 POLES

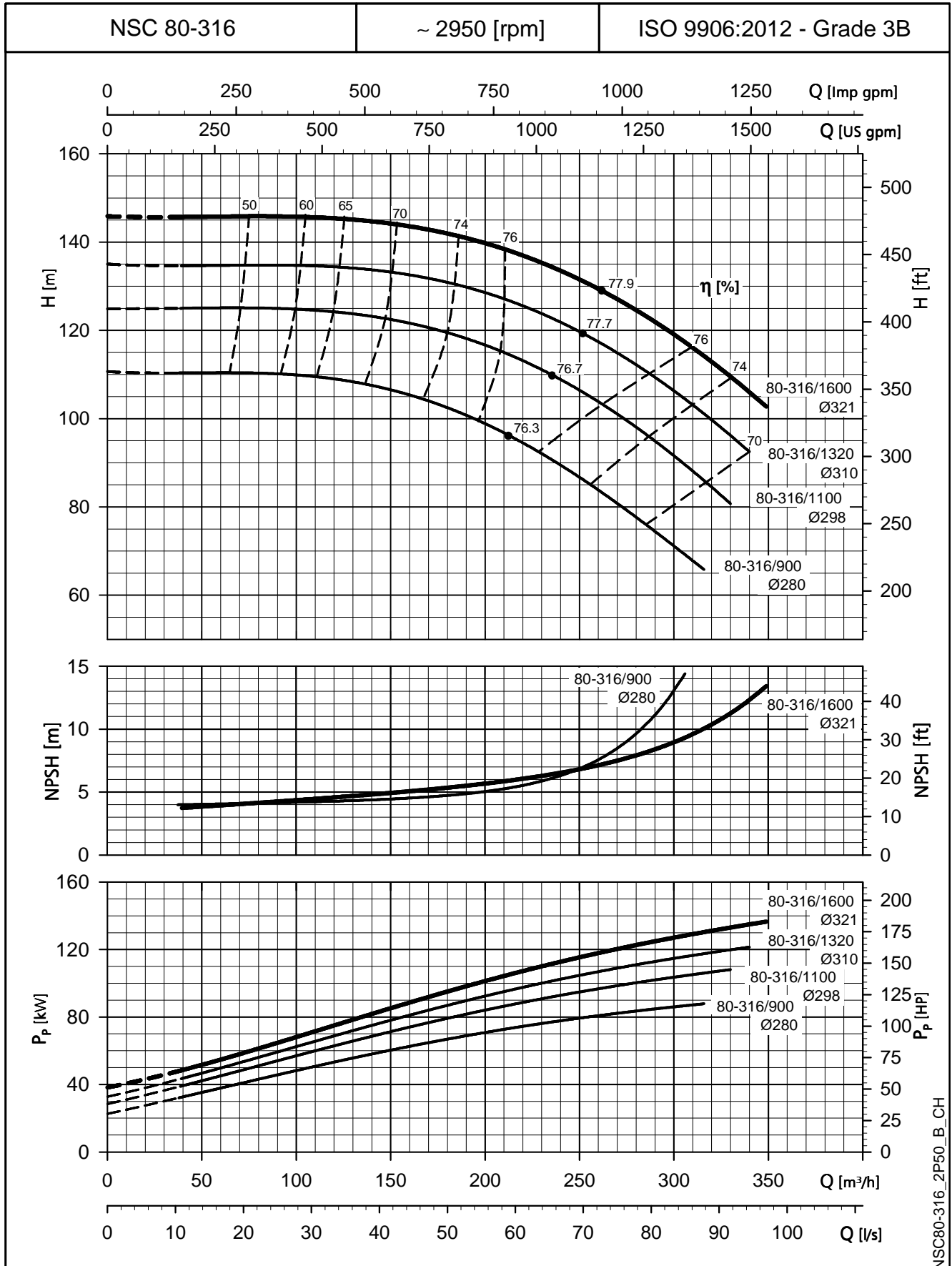


NSC80-250_2P50_A_CH

The NPSH values are laboratory values; for practical use we suggest increasing these values by 0,5 m.
 These performances are valid for liquids with density $\rho = 1,0 \text{ Kg/dm}^3$ and kinematic viscosity $\nu = 1 \text{ mm}^2/\text{sec}$.

e-NSC SERIES

OPERATING CHARACTERISTICS AT 50 Hz, 2 POLES

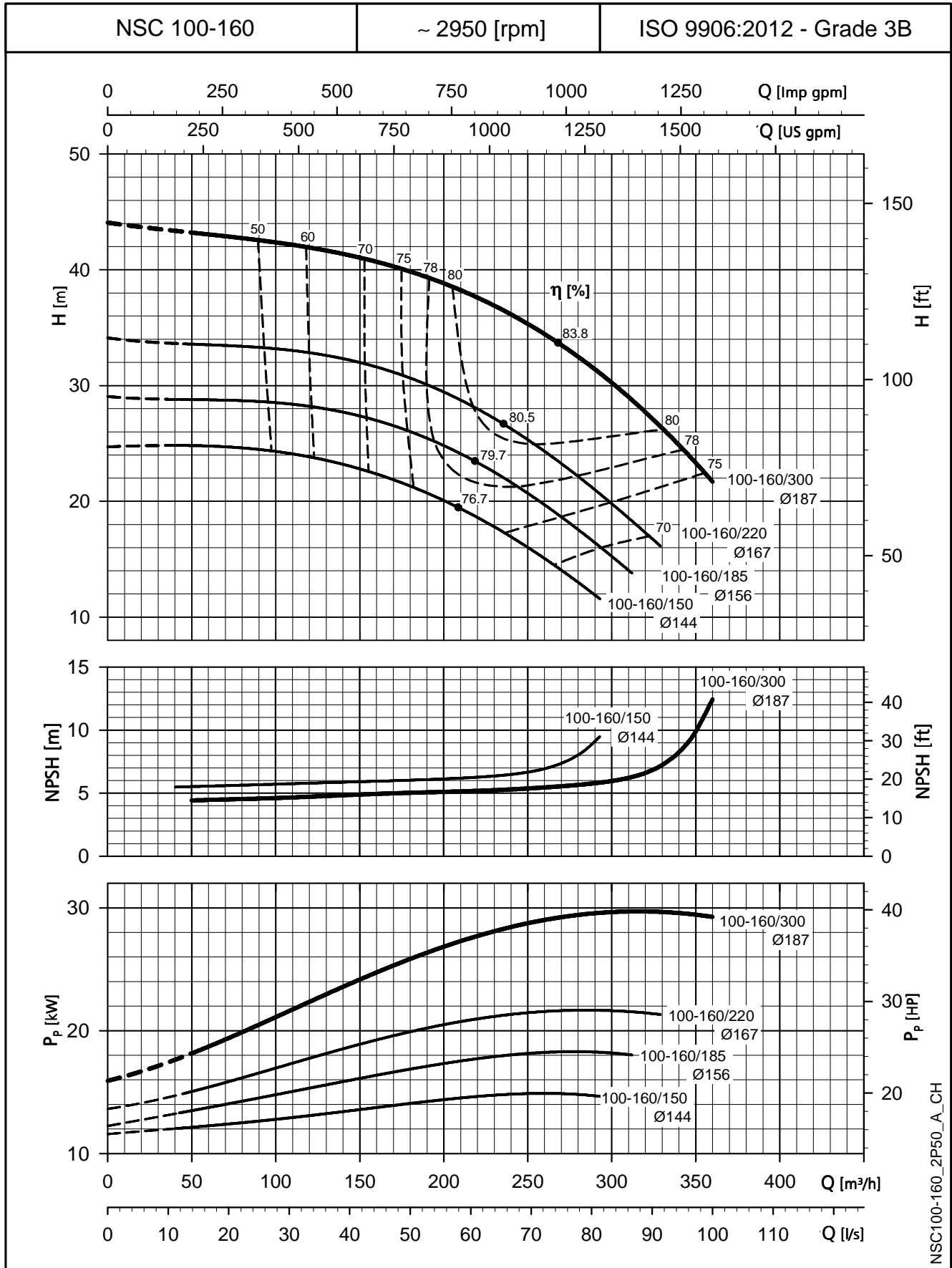


NSC80-316_2P50_B_CH

The NPSH values are laboratory values; for practical use we suggest increasing these values by 0,5 m.
 These performances are valid for liquids with density $\rho = 1,0 \text{ Kg/dm}^3$ and kinematic viscosity $\nu = 1 \text{ mm}^2/\text{sec}$.

e-NSC SERIES

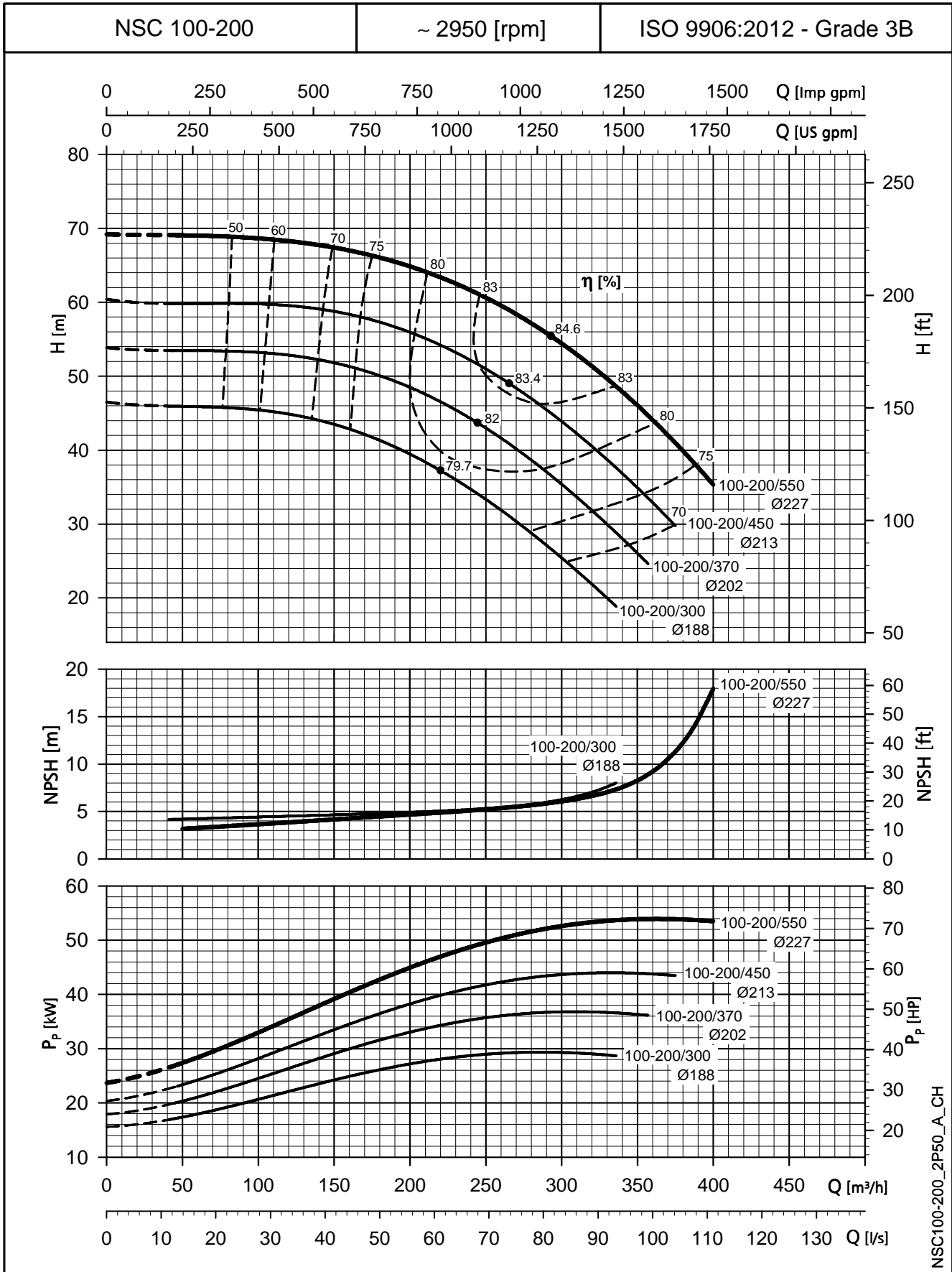
OPERATING CHARACTERISTICS AT 50 Hz, 2 POLES



The NPSH values are laboratory values; for practical use we suggest increasing these values by 0,5 m.
 These performances are valid for liquids with density $\rho = 1,0 \text{ Kg/dm}^3$ and kinematic viscosity $\nu = 1 \text{ mm}^2/\text{sec}$.

e-NSC SERIES

OPERATING CHARACTERISTICS AT 50 Hz, 2 POLES

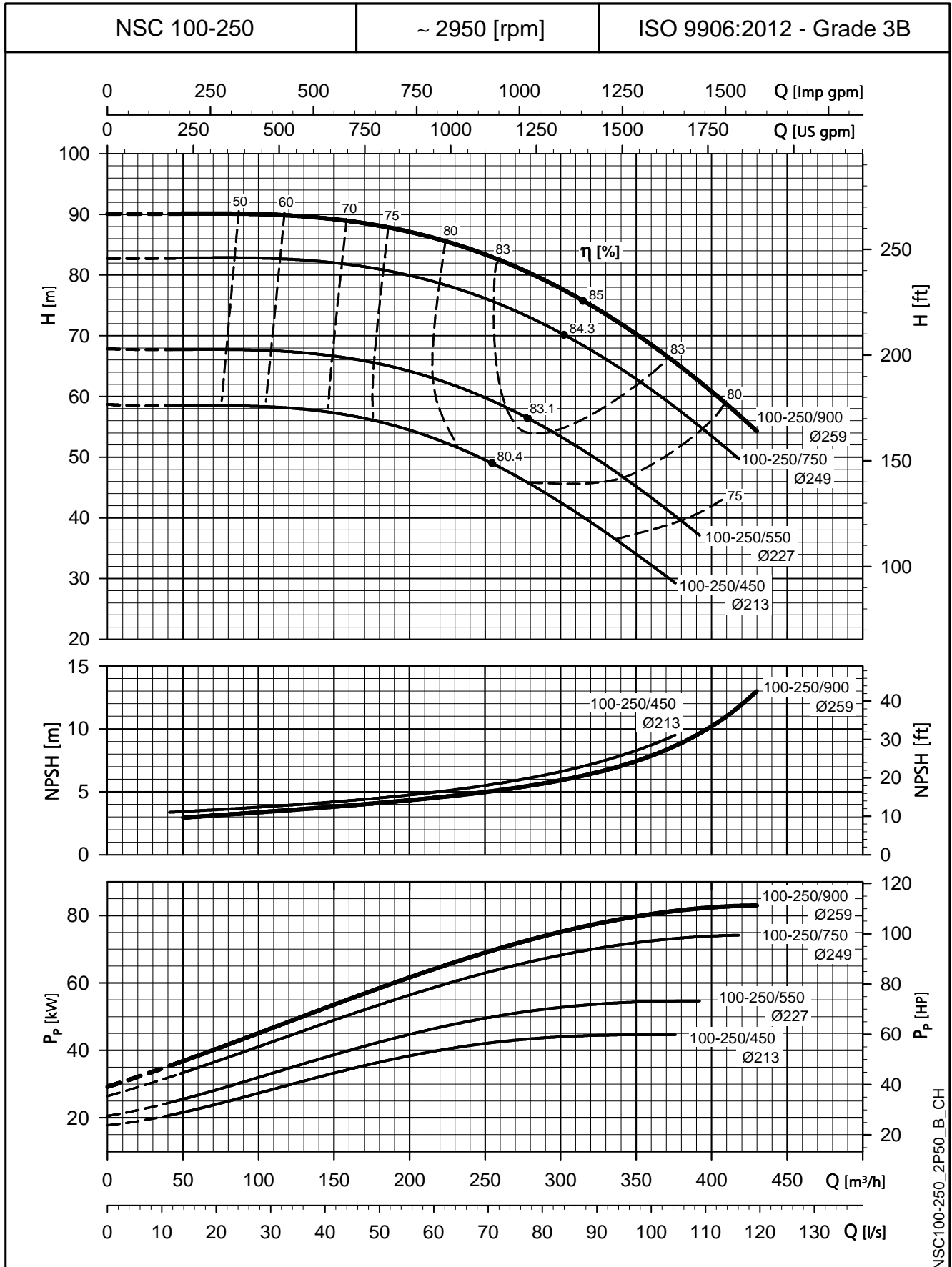


NSC100-200_2P50_A_CH

The NPSH values are laboratory values; for practical use we suggest increasing these values by 0,5 m.
 These performances are valid for liquids with density ρ = 1,0 Kg/dm³ and kinematic viscosity ν = 1 mm²/sec.

e-NSC SERIES

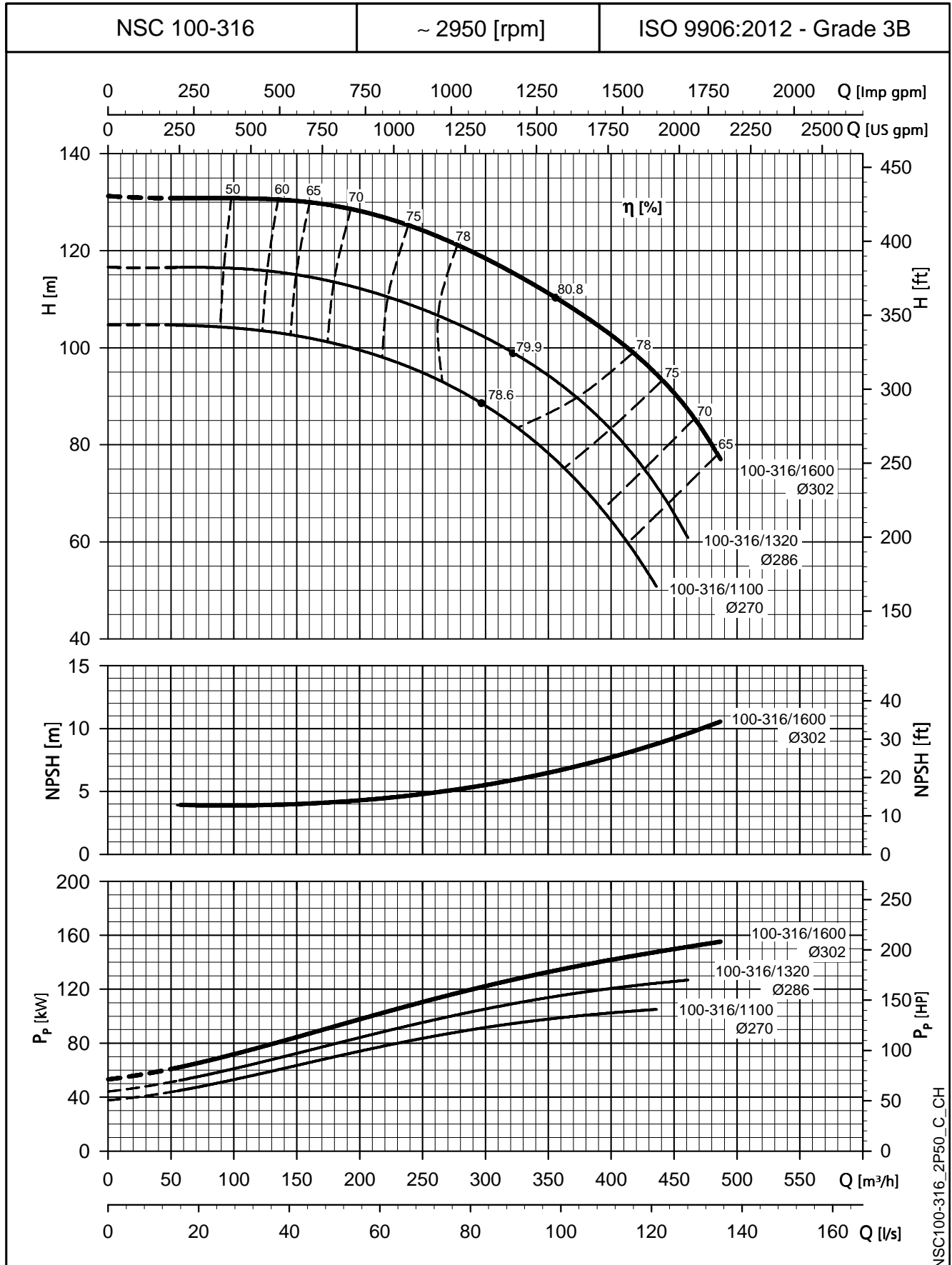
OPERATING CHARACTERISTICS AT 50 Hz, 2 POLES



The NPSH values are laboratory values; for practical use we suggest increasing these values by 0,5 m.
 These performances are valid for liquids with density $\rho = 1,0 \text{ Kg/dm}^3$ and kinematic viscosity $\nu = 1 \text{ mm}^2/\text{sec}$.

e-NSC SERIES

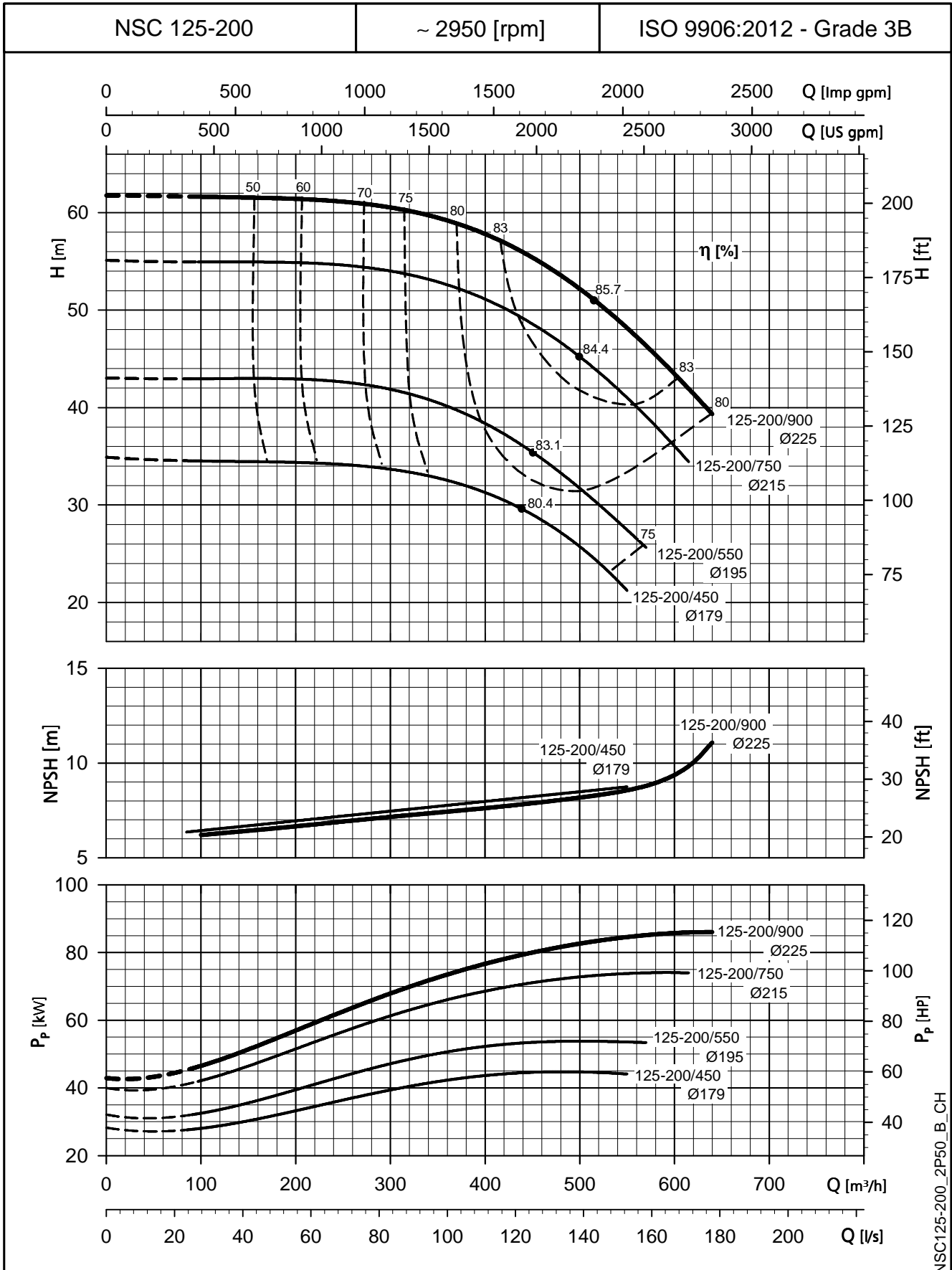
OPERATING CHARACTERISTICS AT 50 Hz, 2 POLES



The NPSH values are laboratory values; for practical use we suggest increasing these values by 0,5 m.
 These performances are valid for liquids with density $\rho = 1,0 \text{ Kg/dm}^3$ and kinematic viscosity $\nu = 1 \text{ mm}^2/\text{sec}$.

e-NSC SERIES

OPERATING CHARACTERISTICS AT 50 Hz, 2 POLES

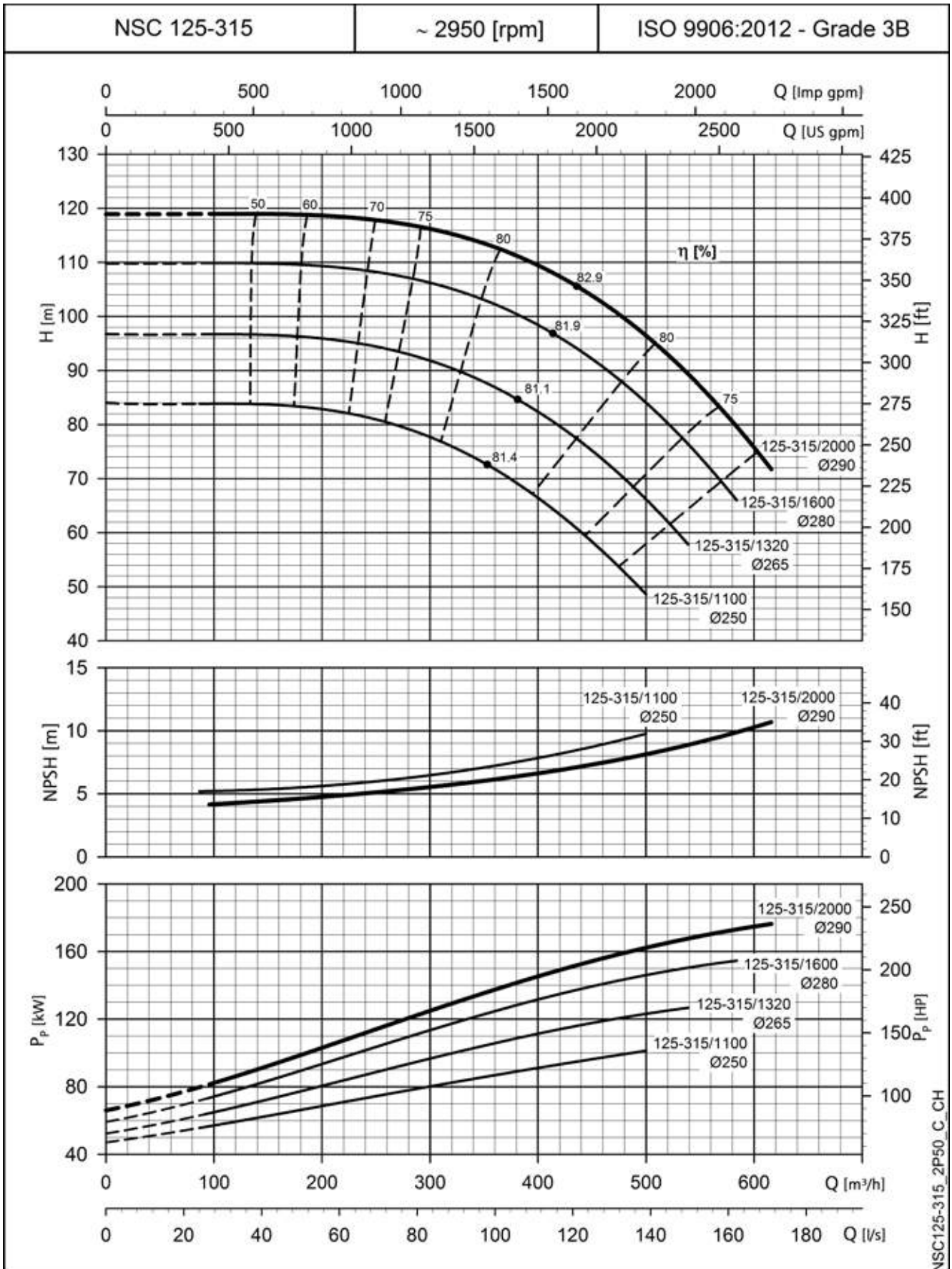


NSC125-200_2P50_B_CH

The NPSH values are laboratory values; for practical use we suggest increasing these values by 0,5 m.
 These performances are valid for liquids with density $\rho = 1,0 \text{ Kg/dm}^3$ and kinematic viscosity $\nu = 1 \text{ mm}^2/\text{sec}$.

e-NSC SERIES

OPERATING CHARACTERISTICS AT 50 Hz, 2 POLES

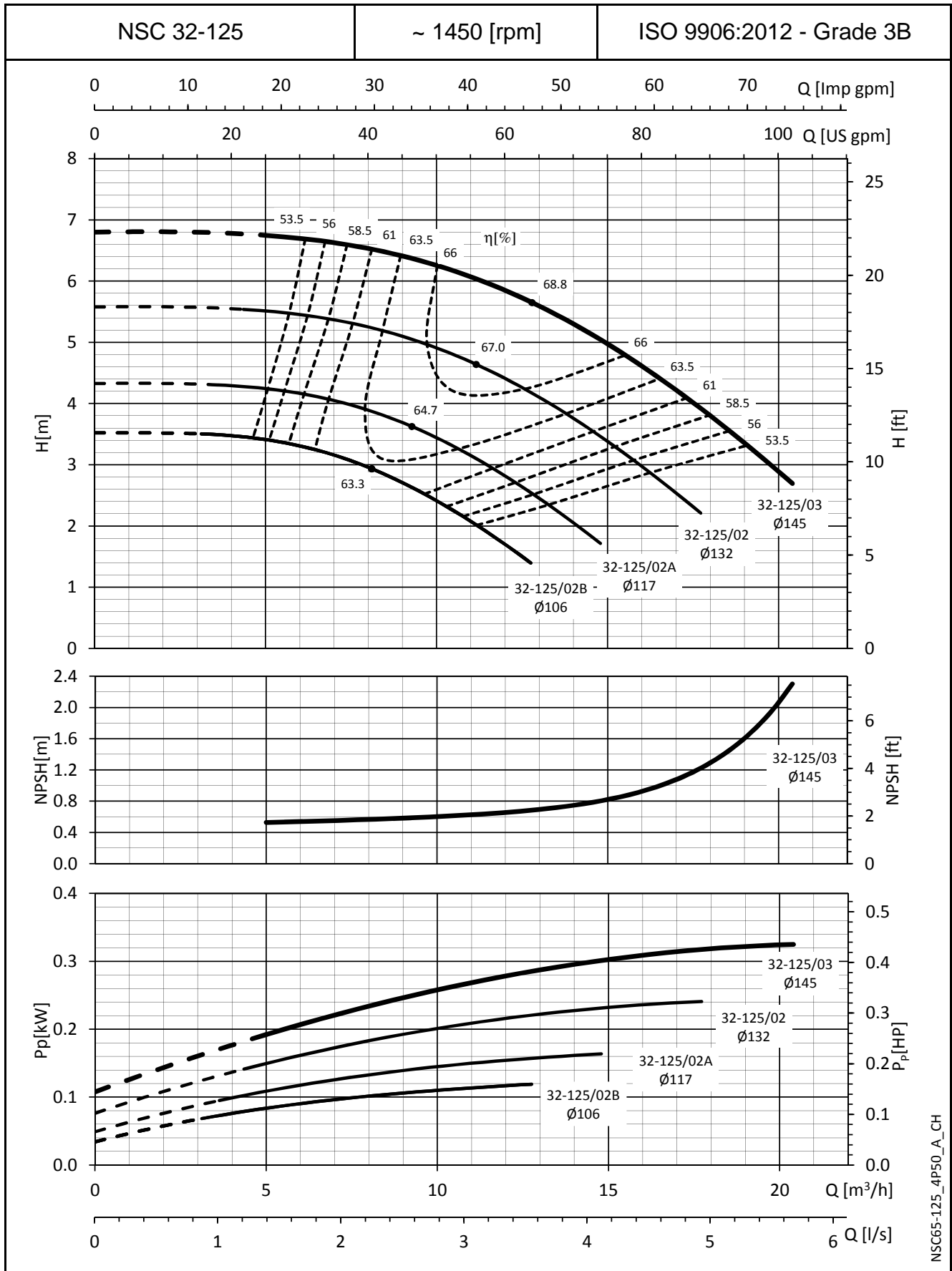


NSC125-315_2P50_C_CH

The NPSH values are laboratory values; for practical use we suggest increasing these values by 0,5 m.
 These performances are valid for liquids with density $\rho = 1,0 \text{ Kg/dm}^3$ and kinematic viscosity $\nu = 1 \text{ mm}^2/\text{sec}$.

e-NSC SERIES

OPERATING CHARACTERISTICS AT 50 Hz, 4 POLES

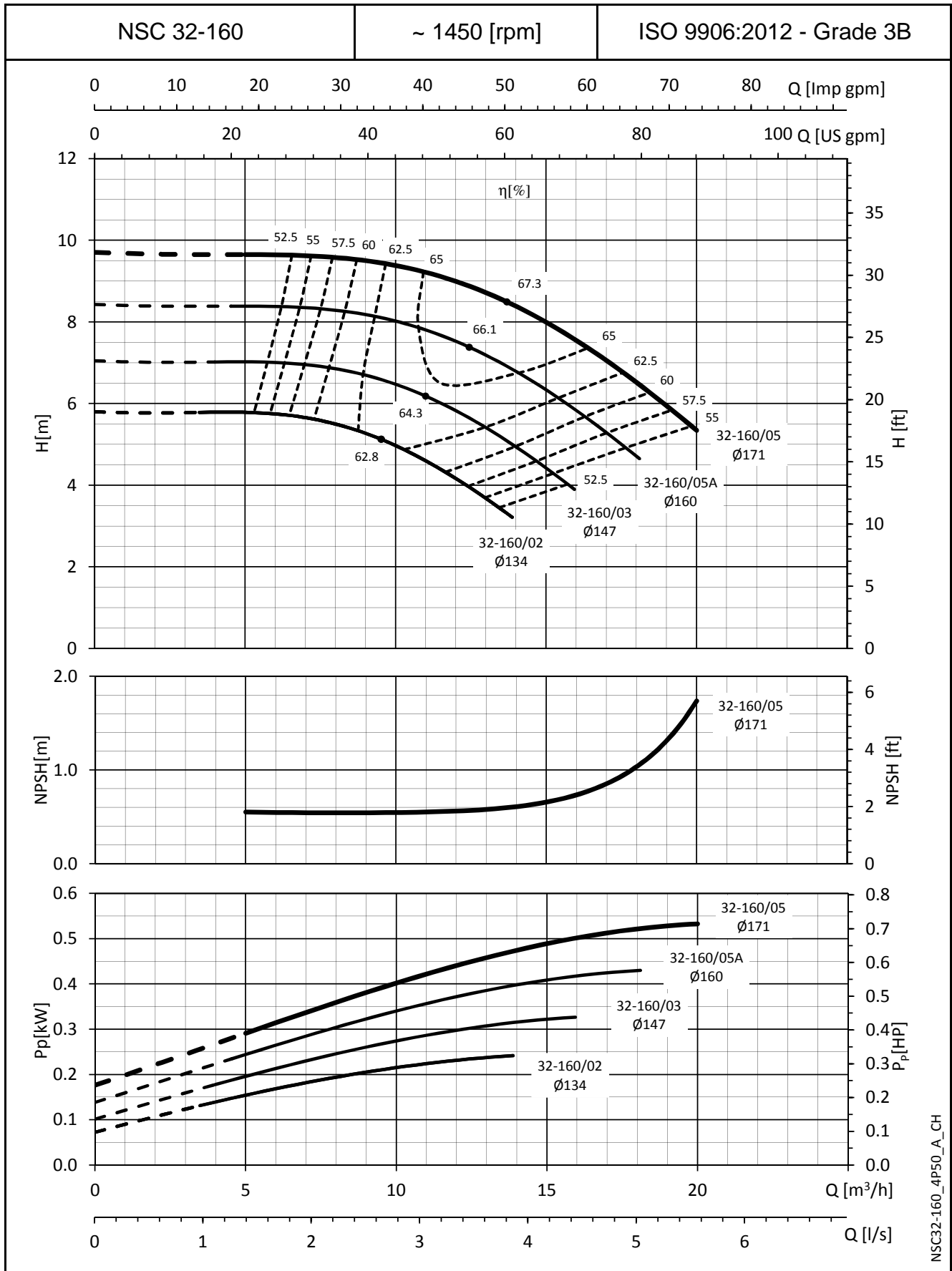


NSC65-125_4P50_A_CH

The NPSH values are laboratory values; for practical use we suggest increasing these values by 0,5 m.
 These performances are valid for liquids with density $\rho = 1,0 \text{ Kg/dm}^3$ and kinematic viscosity $\nu = 1 \text{ mm}^2/\text{sec}$.

e-NSC SERIES

OPERATING CHARACTERISTICS AT 50 Hz, 4 POLES

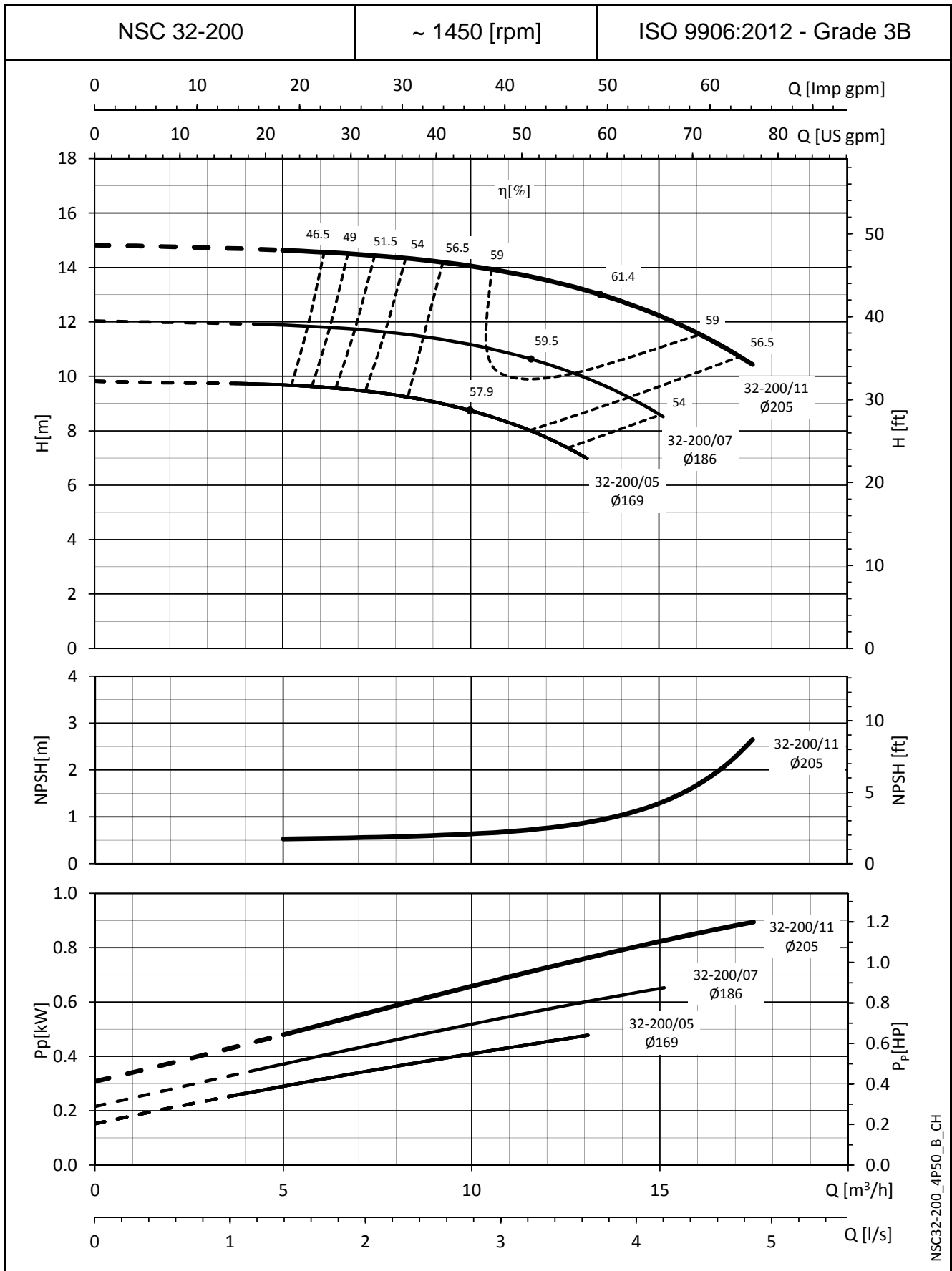


NSC32-160_4P50_A_CH

The NPSH values are laboratory values; for practical use we suggest increasing these values by 0,5 m.
 These performances are valid for liquids with density $\rho = 1,0 \text{ Kg/dm}^3$ and kinematic viscosity $\nu = 1 \text{ mm}^2/\text{sec}$.

e-NSC SERIES

OPERATING CHARACTERISTICS AT 50 Hz, 4 POLES

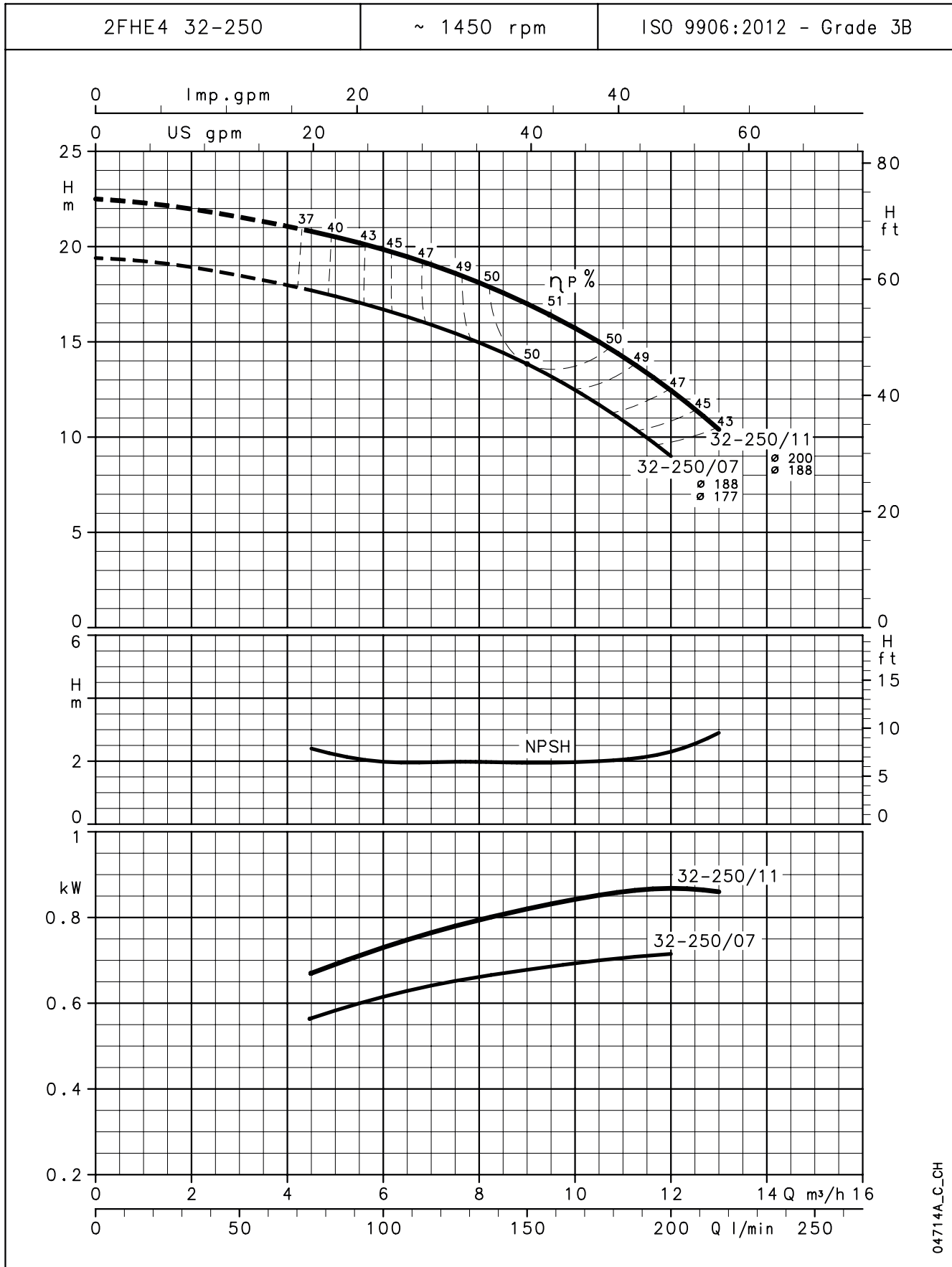


NSC32-200_4P50_B_CH

The NPSH values are laboratory values; for practical use we suggest increasing these values by 0,5 m.
 These performances are valid for liquids with density $\rho = 1,0 \text{ Kg/dm}^3$ and kinematic viscosity $\nu = 1 \text{ mm}^2/\text{sec}$.

2FHE4 SERIES

OPERATING CHARACTERISTICS AT 50 Hz, 4 POLES

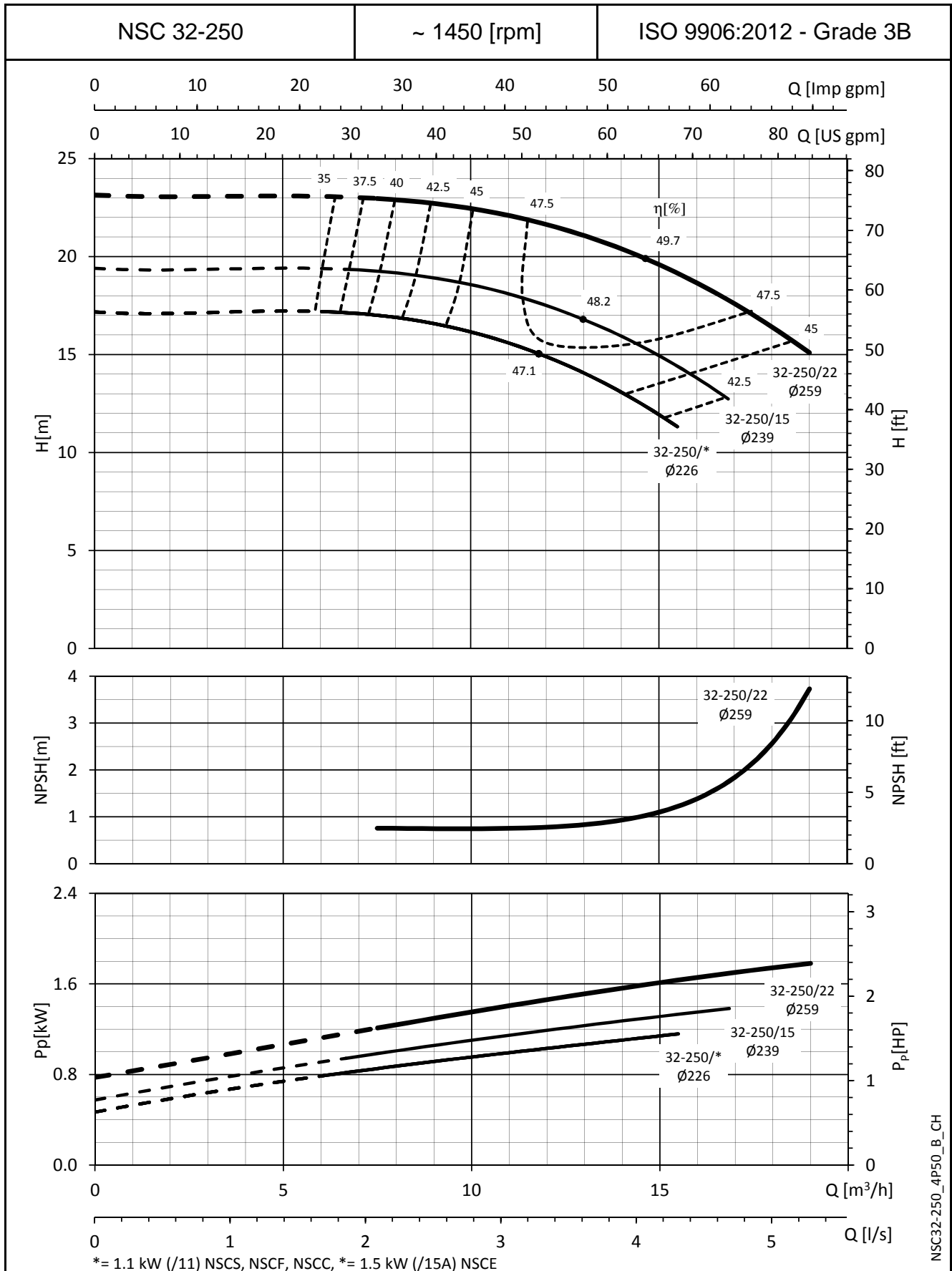


04714A_C-CH

The NPSH values are laboratory values; for practical use we suggest increasing these values by 0,5 m.
 These performances are valid for liquids with density ρ = 1,0 Kg/dm³ and kinematic viscosity ν = 1 mm²/sec.

e-NSC SERIES

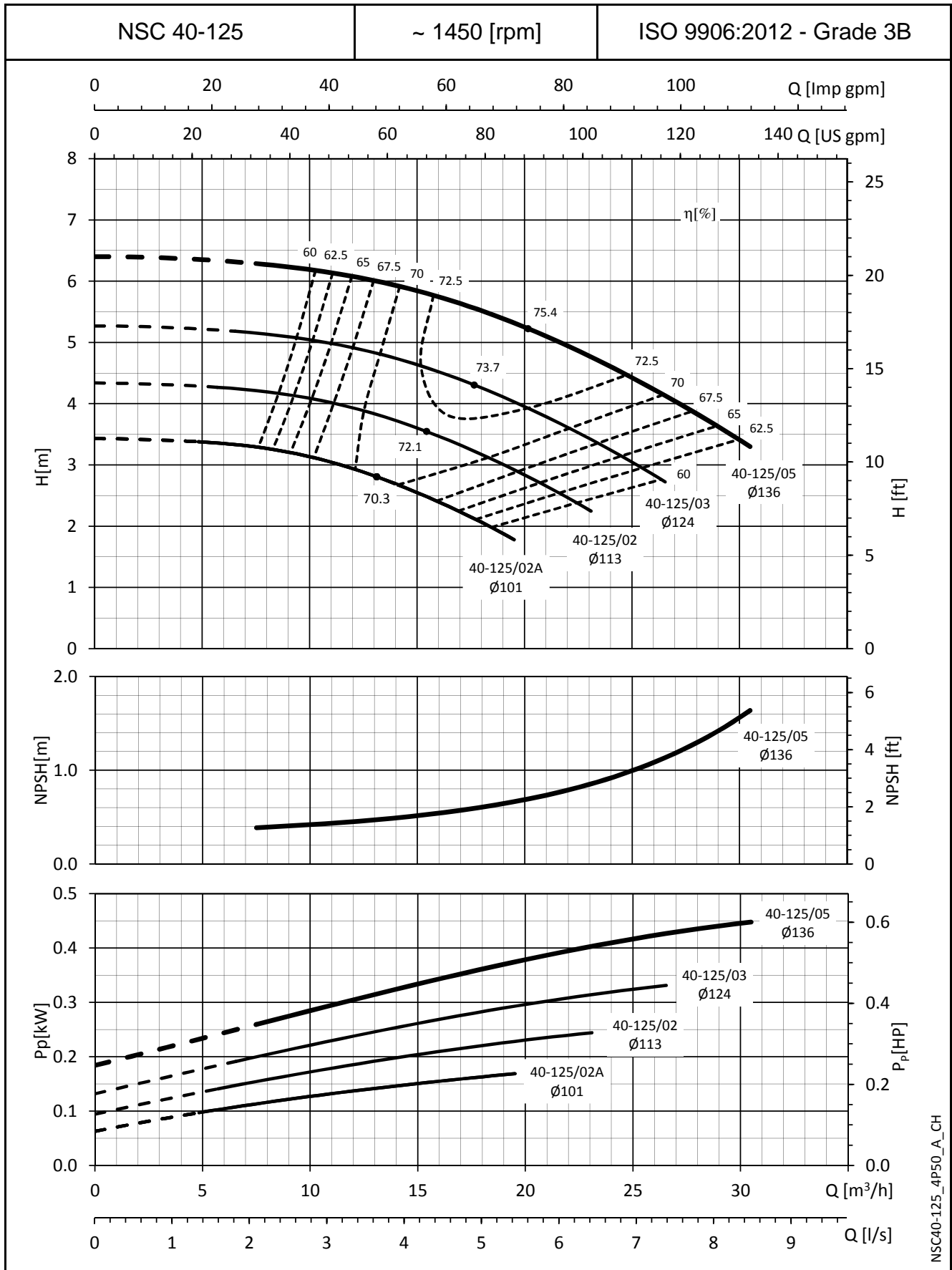
OPERATING CHARACTERISTICS AT 50 Hz, 4 POLES



The NPSH values are laboratory values; for practical use we suggest increasing these values by 0,5 m.
 These performances are valid for liquids with density $\rho = 1,0 \text{ Kg/dm}^3$ and kinematic viscosity $\nu = 1 \text{ mm}^2/\text{sec}$.

e-NSC SERIES

OPERATING CHARACTERISTICS AT 50 Hz, 4 POLES

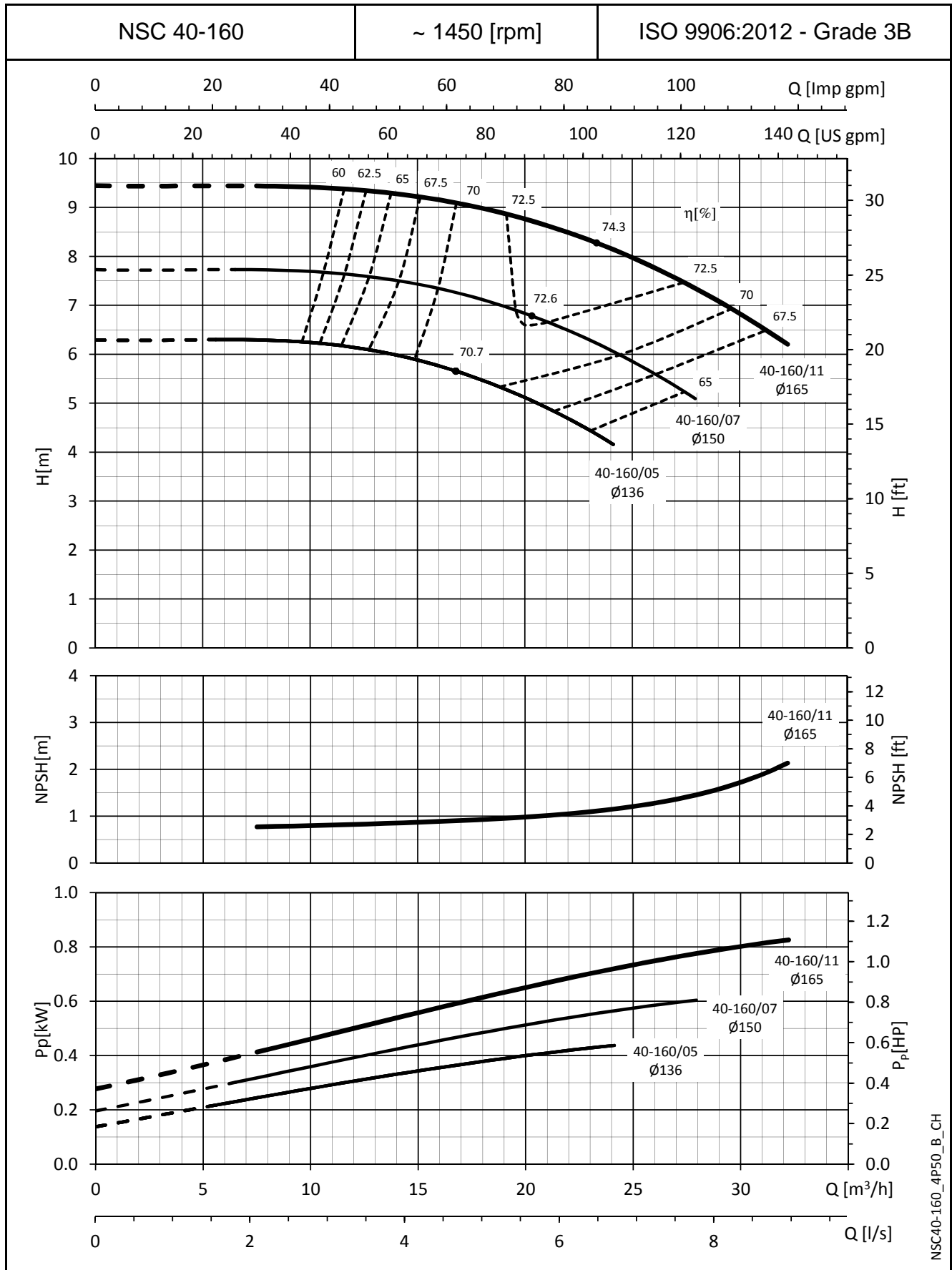


NSC40-125_4P50_A_CH

The NPSH values are laboratory values; for practical use we suggest increasing these values by 0,5 m.
 These performances are valid for liquids with density $\rho = 1,0 \text{ Kg/dm}^3$ and kinematic viscosity $\nu = 1 \text{ mm}^2/\text{sec}$.

e-NSC SERIES

OPERATING CHARACTERISTICS AT 50 Hz, 4 POLES

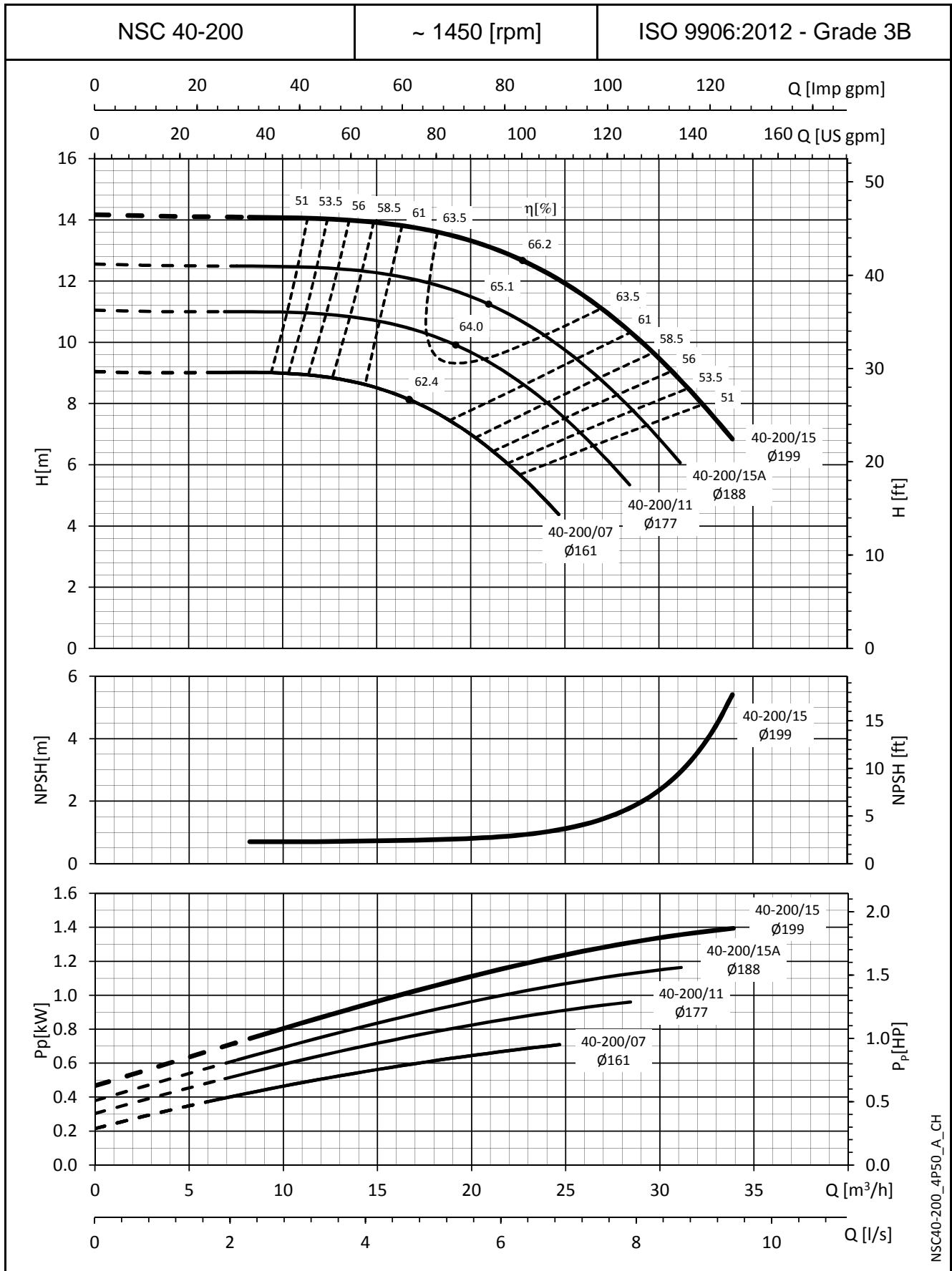


NSC40-160_4P50_B_CH

The NPSH values are laboratory values; for practical use we suggest increasing these values by 0,5 m.
 These performances are valid for liquids with density $\rho = 1,0 \text{ Kg/dm}^3$ and kinematic viscosity $\nu = 1 \text{ mm}^2/\text{sec}$.

e-NSC SERIES

OPERATING CHARACTERISTICS AT 50 Hz, 4 POLES

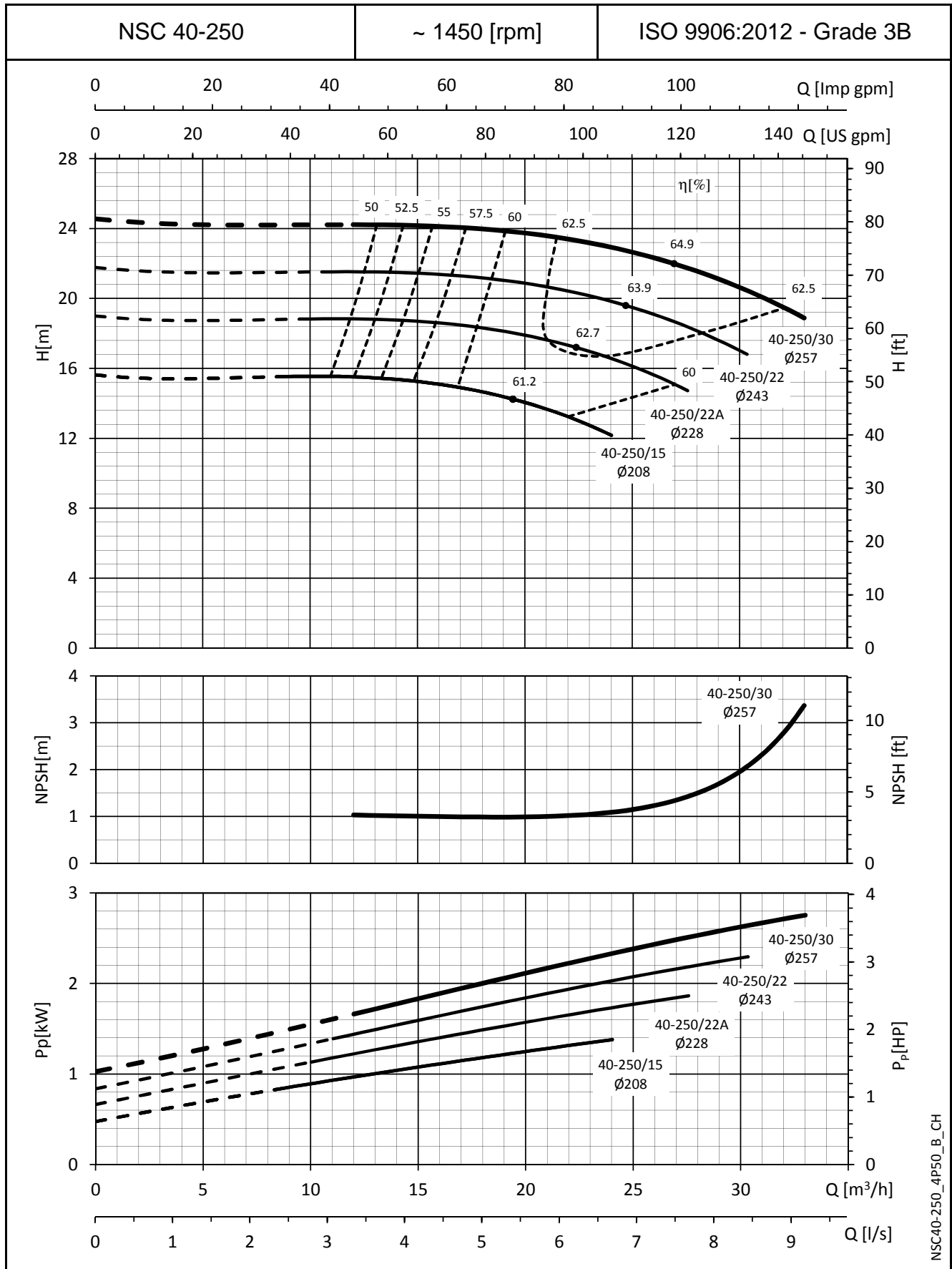


NSC40-200_4P50_A_CH

The NPSH values are laboratory values; for practical use we suggest increasing these values by 0,5 m.
 These performances are valid for liquids with density $\rho = 1,0 \text{ Kg/dm}^3$ and kinematic viscosity $\nu = 1 \text{ mm}^2/\text{sec}$.

e-NSC SERIES

OPERATING CHARACTERISTICS AT 50 Hz, 4 POLES

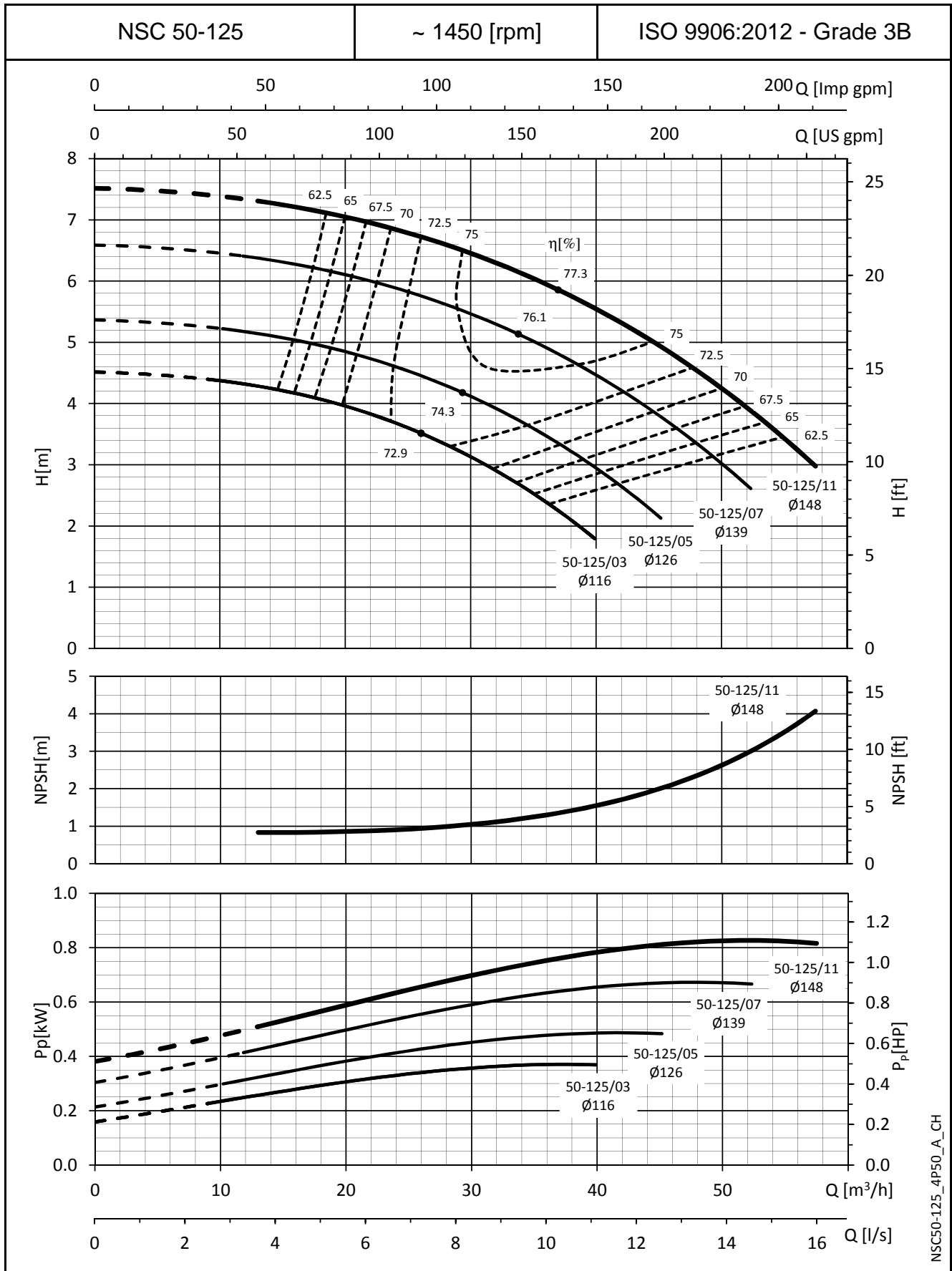


NSC40-250_4P50_B_CH

The NPSH values are laboratory values; for practical use we suggest increasing these values by 0,5 m.
 These performances are valid for liquids with density $\rho = 1,0 \text{ Kg/dm}^3$ and kinematic viscosity $\nu = 1 \text{ mm}^2/\text{sec}$.

e-NSC SERIES

OPERATING CHARACTERISTICS AT 50 Hz, 4 POLES

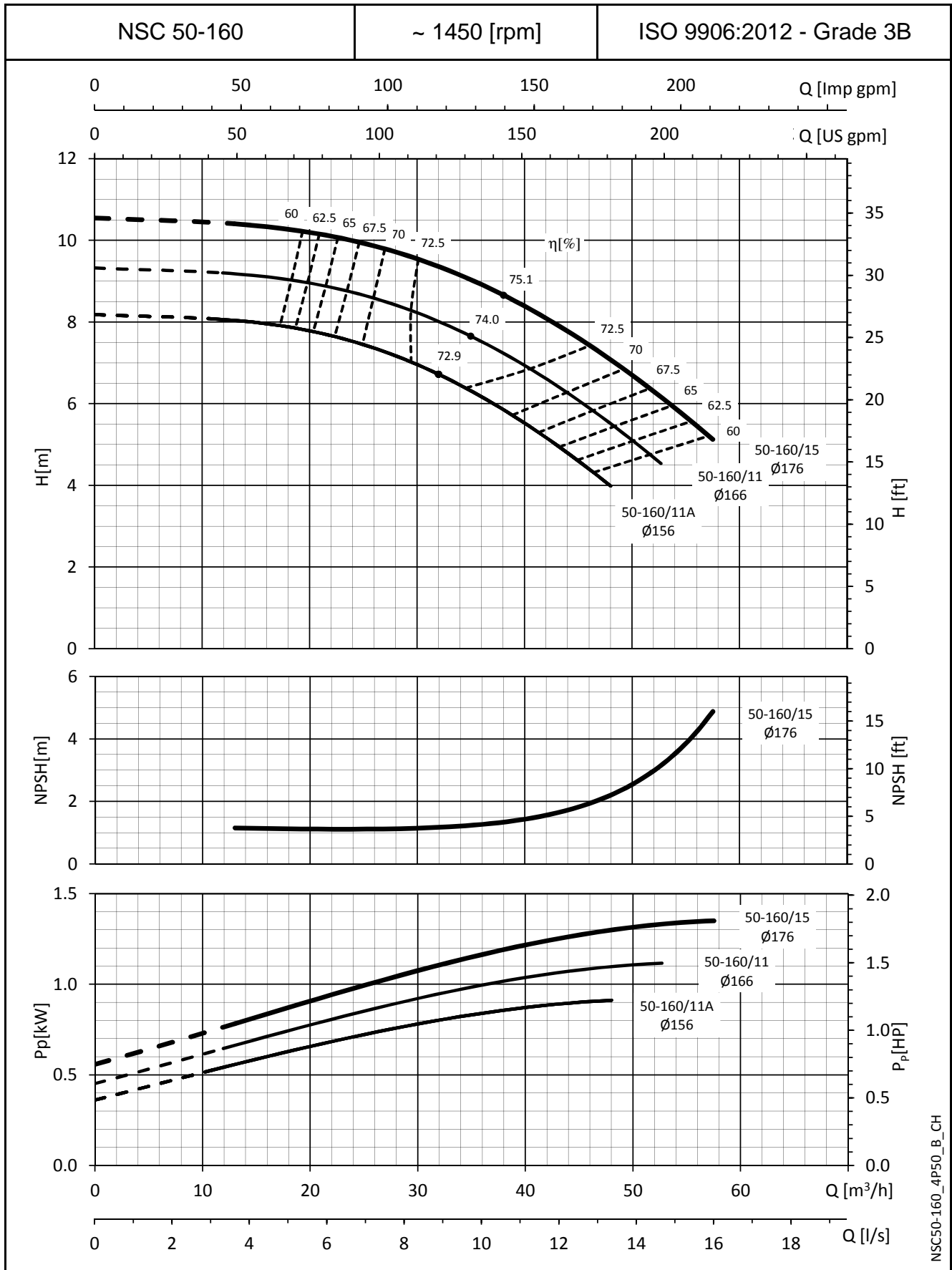


NSC50-125_4P50_A_CH

The NPSH values are laboratory values; for practical use we suggest increasing these values by 0,5 m.
 These performances are valid for liquids with density $\rho = 1,0 \text{ Kg/dm}^3$ and kinematic viscosity $\nu = 1 \text{ mm}^2/\text{sec}$.

e-NSC SERIES

OPERATING CHARACTERISTICS AT 50 Hz, 4 POLES

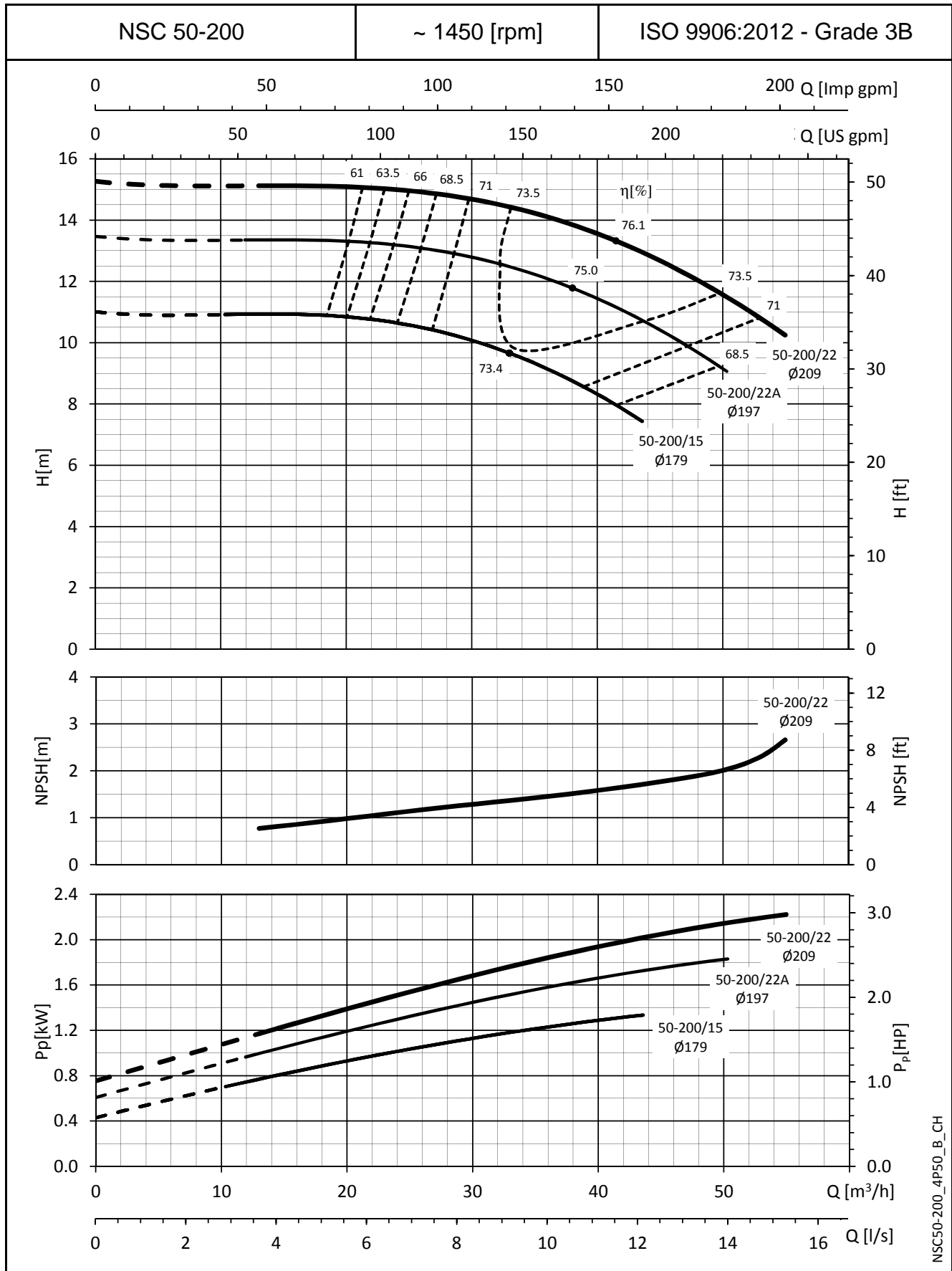


NSC50-160_4P50_B_CH

The NPSH values are laboratory values; for practical use we suggest increasing these values by 0,5 m.
 These performances are valid for liquids with density $\rho = 1,0 \text{ Kg/dm}^3$ and kinematic viscosity $\nu = 1 \text{ mm}^2/\text{sec}$.

e-NSC SERIES

OPERATING CHARACTERISTICS AT 50 Hz, 4 POLES

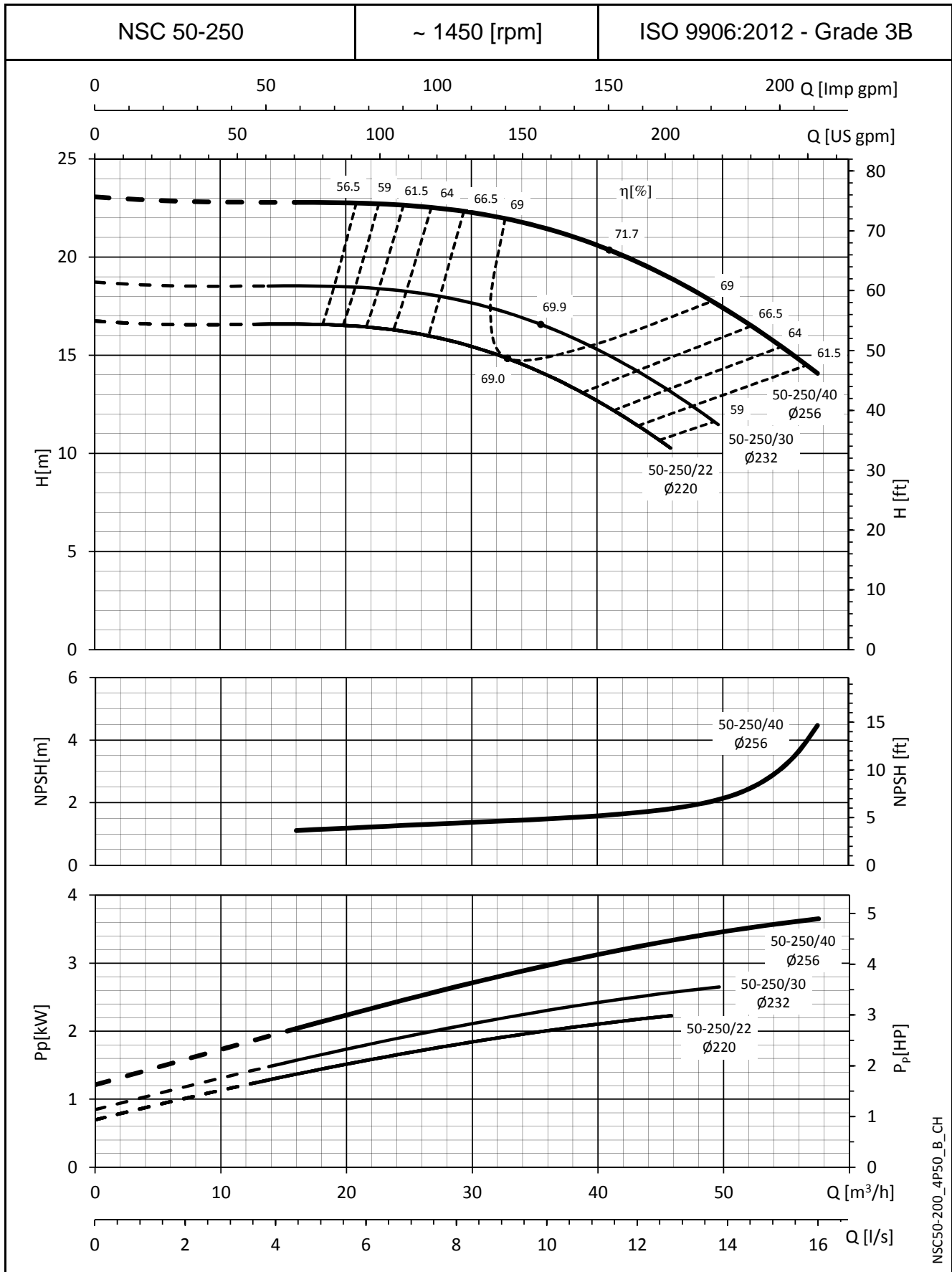


NSC50-200_4P50_B_CH

The NPSH values are laboratory values; for practical use we suggest increasing these values by 0,5 m.
 These performances are valid for liquids with density $\rho = 1,0 \text{ Kg/dm}^3$ and kinematic viscosity $\nu = 1 \text{ mm}^2/\text{sec}$.

e-NSC SERIES

OPERATING CHARACTERISTICS AT 50 Hz, 4 POLES

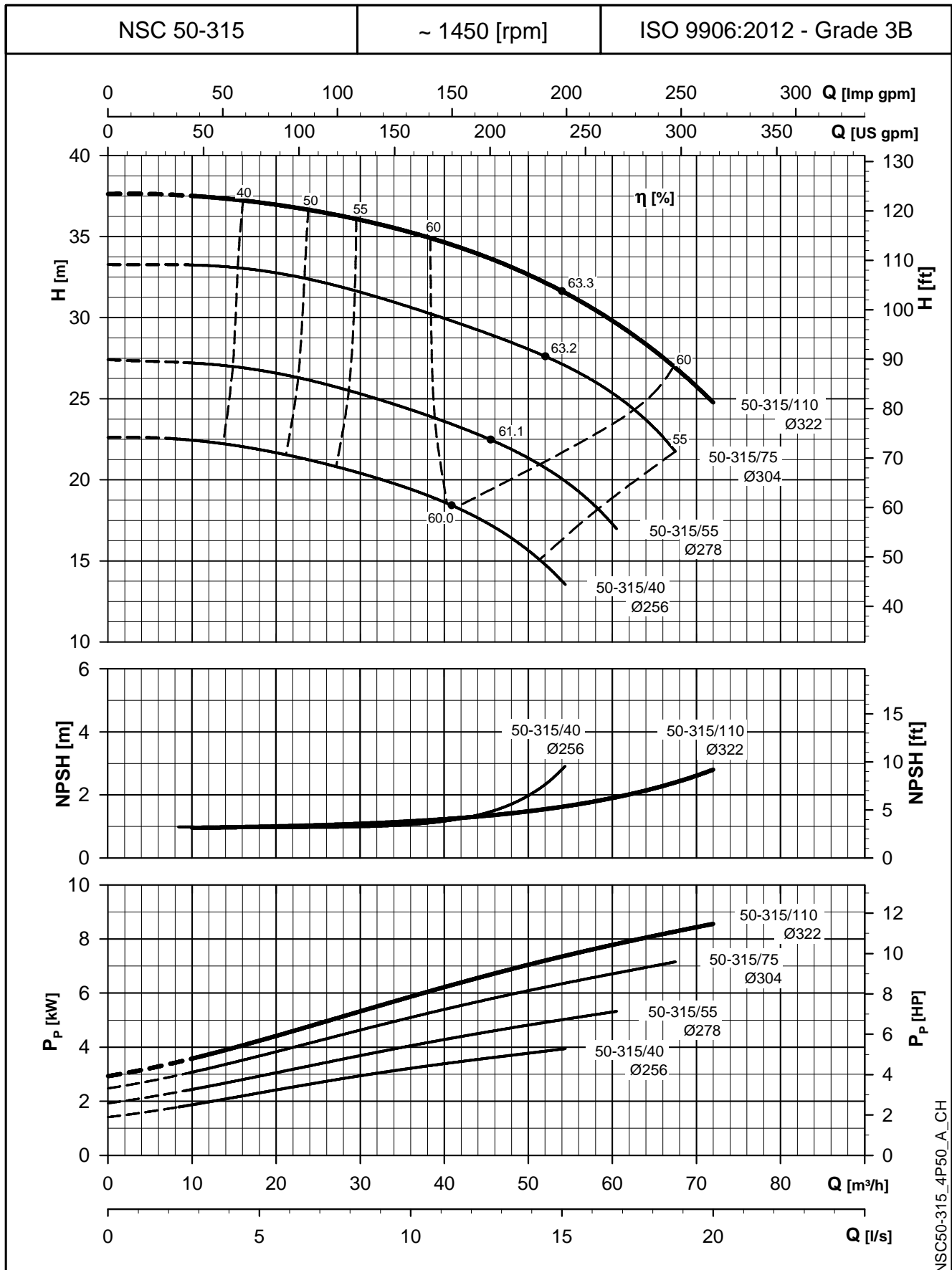


NSC50-200_4P50_B_CH

The NPSH values are laboratory values; for practical use we suggest increasing these values by 0,5 m.
 These performances are valid for liquids with density $\rho = 1,0 \text{ Kg/dm}^3$ and kinematic viscosity $\nu = 1 \text{ mm}^2/\text{sec}$.

e-NSC SERIES

OPERATING CHARACTERISTICS AT 50 Hz, 4 POLES

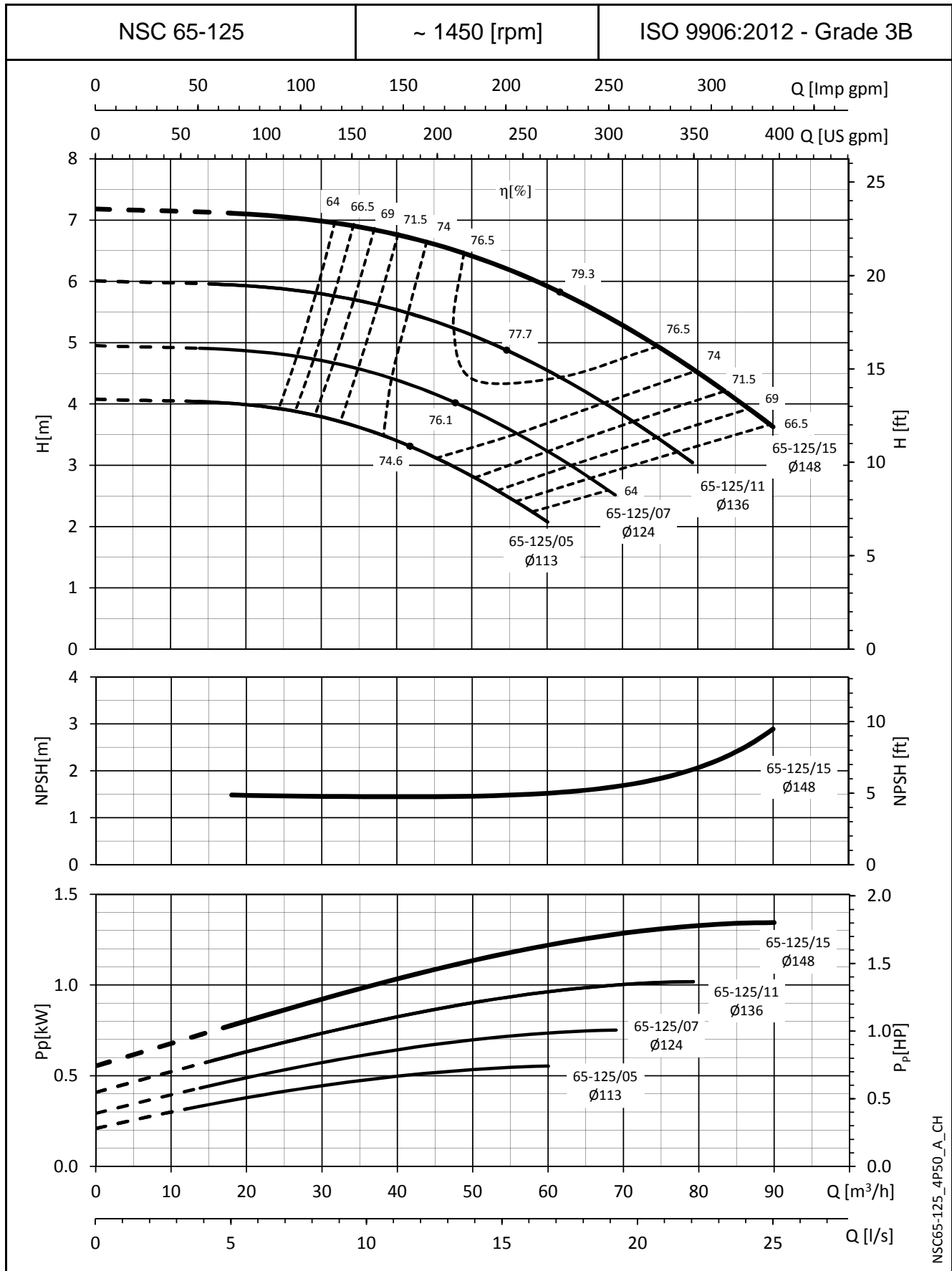


NSC50-315_4P50_A_CH

The NPSH values are laboratory values; for practical use we suggest increasing these values by 0,5 m.
 These performances are valid for liquids with density $\rho = 1,0 \text{ Kg/dm}^3$ and kinematic viscosity $\nu = 1 \text{ mm}^2/\text{sec}$.

e-NSC SERIES

OPERATING CHARACTERISTICS AT 50 Hz, 4 POLES

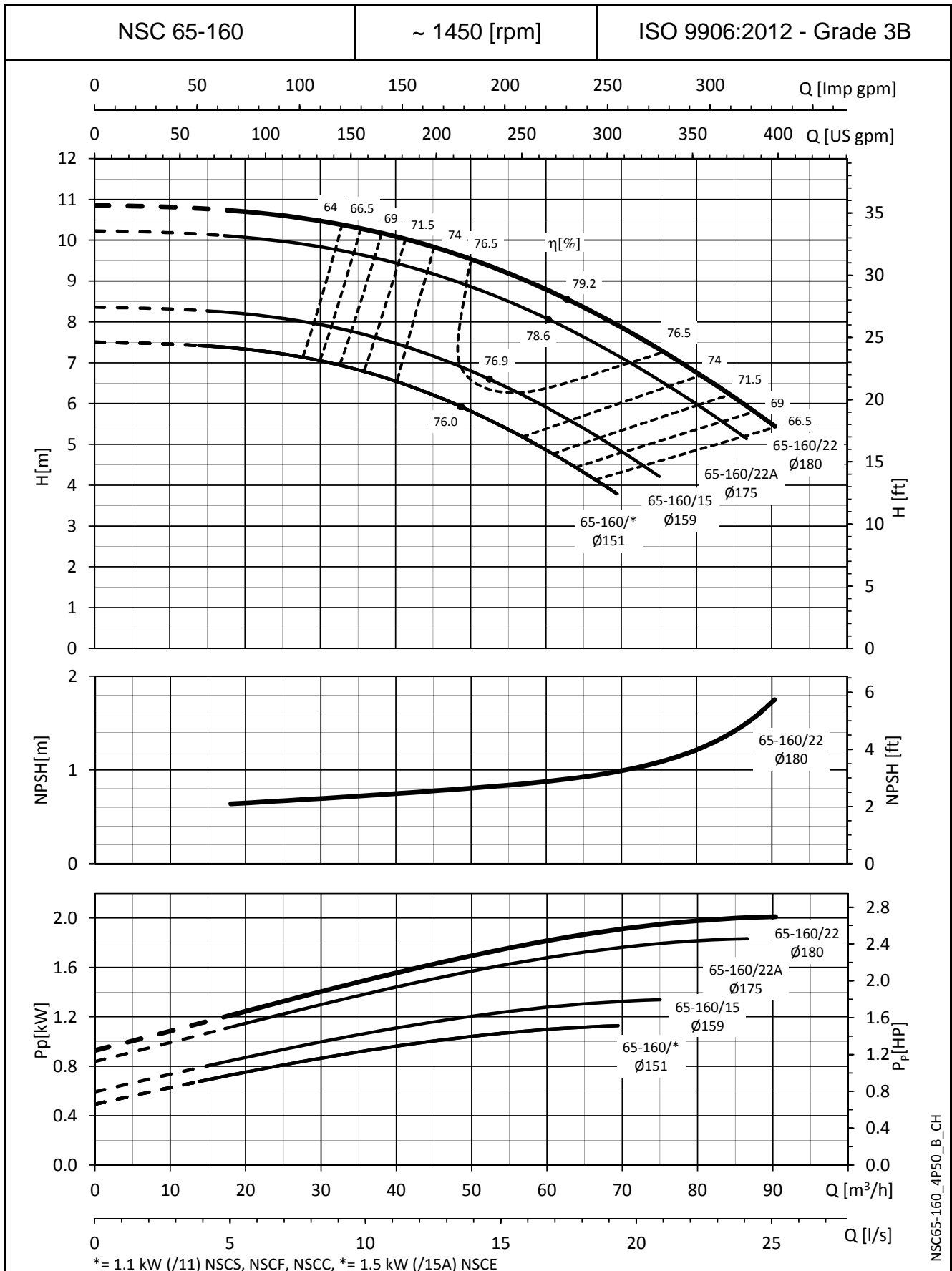


NSC65-125_4P50_A_CH

The NPSH values are laboratory values; for practical use we suggest increasing these values by 0,5 m.
 These performances are valid for liquids with density $\rho = 1,0 \text{ Kg/dm}^3$ and kinematic viscosity $\nu = 1 \text{ mm}^2/\text{sec}$.

e-NSC SERIES

OPERATING CHARACTERISTICS AT 50 Hz, 4 POLES

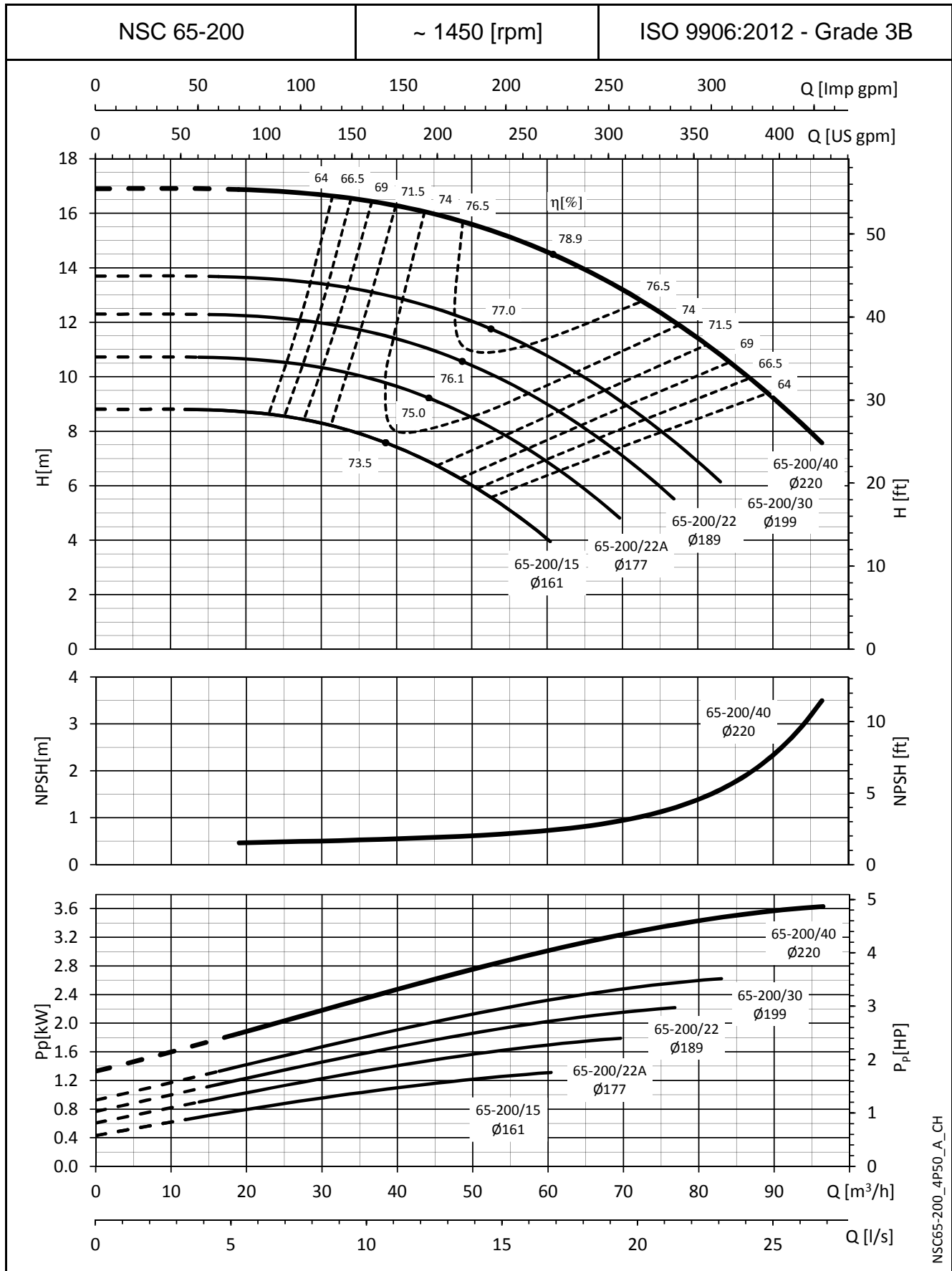


NSC65-160_4P50_P_CH

The NPSH values are laboratory values; for practical use we suggest increasing these values by 0,5 m.
 These performances are valid for liquids with density $\rho = 1,0 \text{ Kg/dm}^3$ and kinematic viscosity $\nu = 1 \text{ mm}^2/\text{sec}$.

e-NSC SERIES

OPERATING CHARACTERISTICS AT 50 Hz, 4 POLES

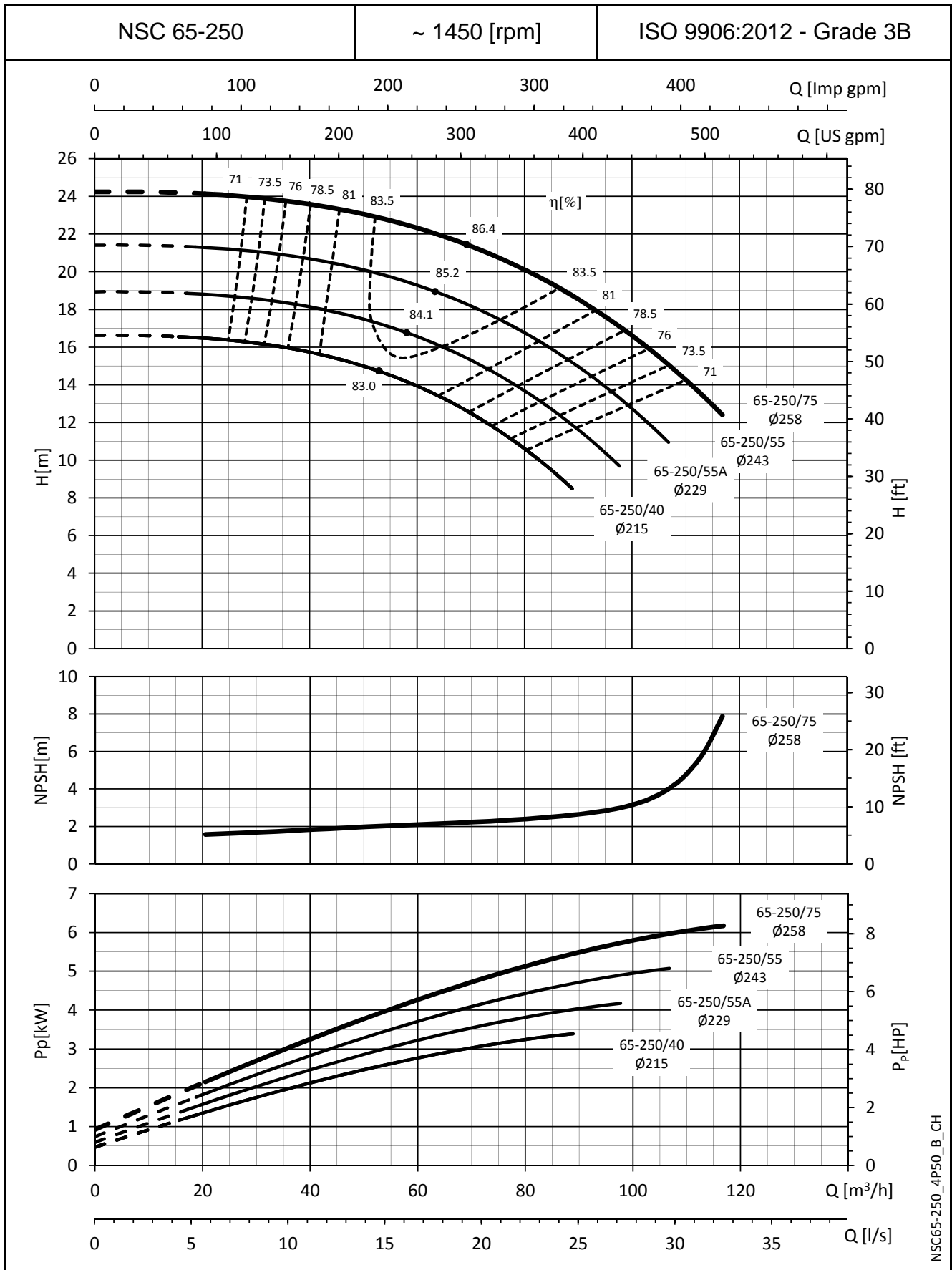


NSC65-200_4P50_A_CH

The NPSH values are laboratory values; for practical use we suggest increasing these values by 0,5 m.
 These performances are valid for liquids with density $\rho = 1,0 \text{ Kg/dm}^3$ and kinematic viscosity $\nu = 1 \text{ mm}^2/\text{sec}$.

e-NSC SERIES

OPERATING CHARACTERISTICS AT 50 Hz, 4 POLES

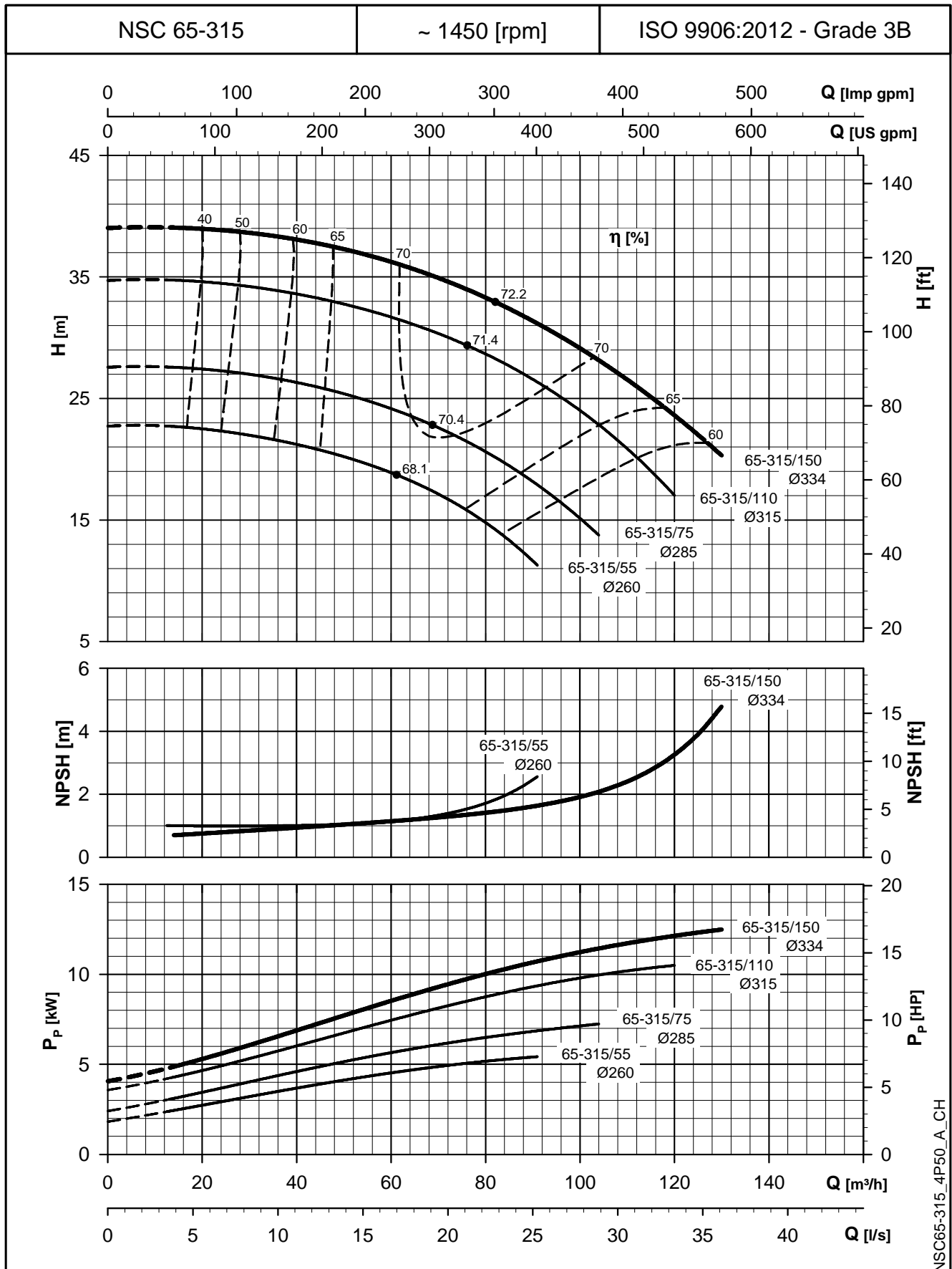


NSC65-250_4P50_B_CH

The NPSH values are laboratory values; for practical use we suggest increasing these values by 0,5 m.
 These performances are valid for liquids with density $\rho = 1,0 \text{ Kg/dm}^3$ and kinematic viscosity $\nu = 1 \text{ mm}^2/\text{sec}$.

e-NSC SERIES

OPERATING CHARACTERISTICS AT 50 Hz, 4 POLES

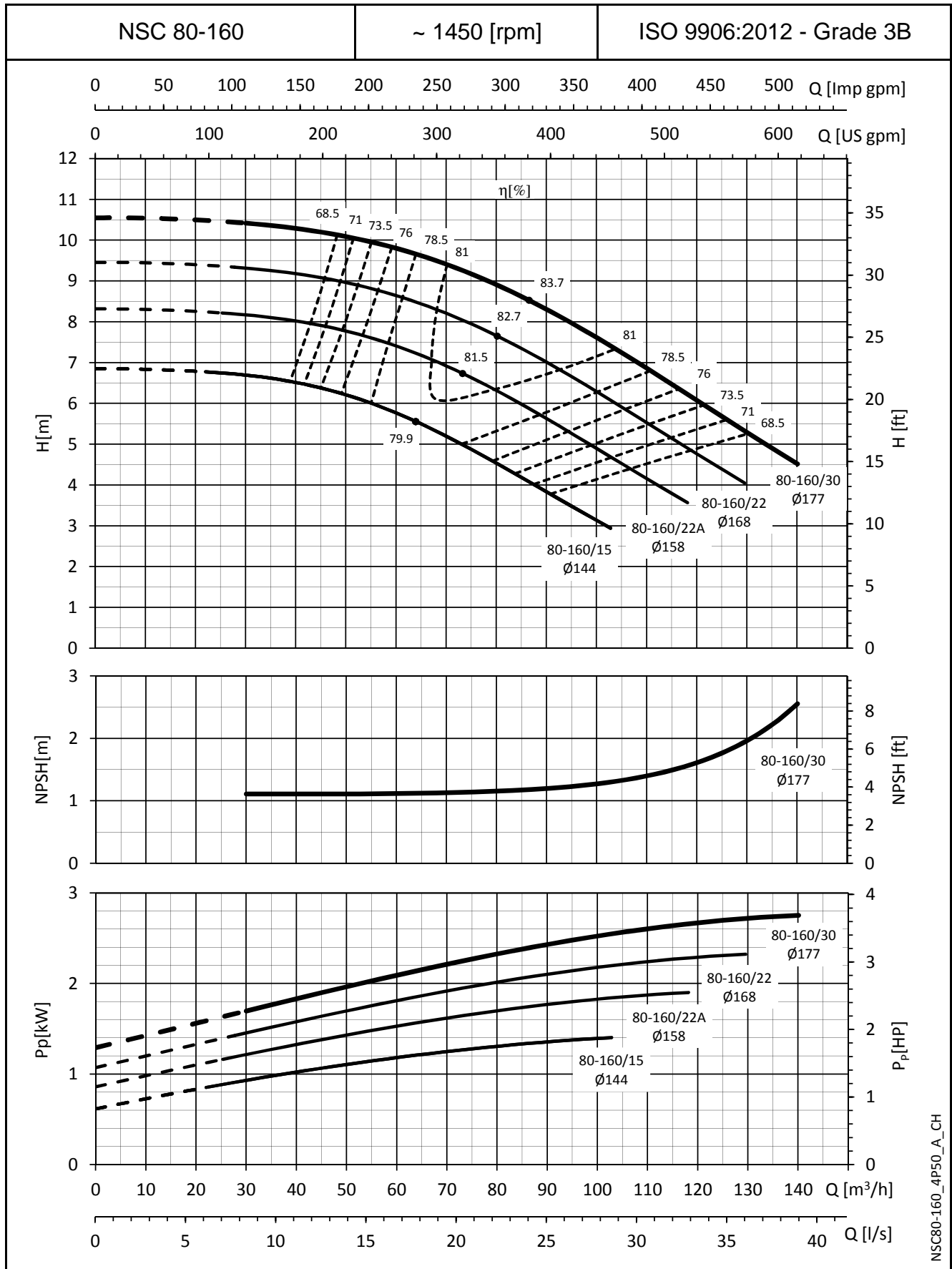


NSC65-315_4P50_A_CH

The NPSH values are laboratory values; for practical use we suggest increasing these values by 0,5 m.
 These performances are valid for liquids with density $\rho = 1,0 \text{ Kg/dm}^3$ and kinematic viscosity $\nu = 1 \text{ mm}^2/\text{sec}$.

e-NSC SERIES

OPERATING CHARACTERISTICS AT 50 Hz, 4 POLES

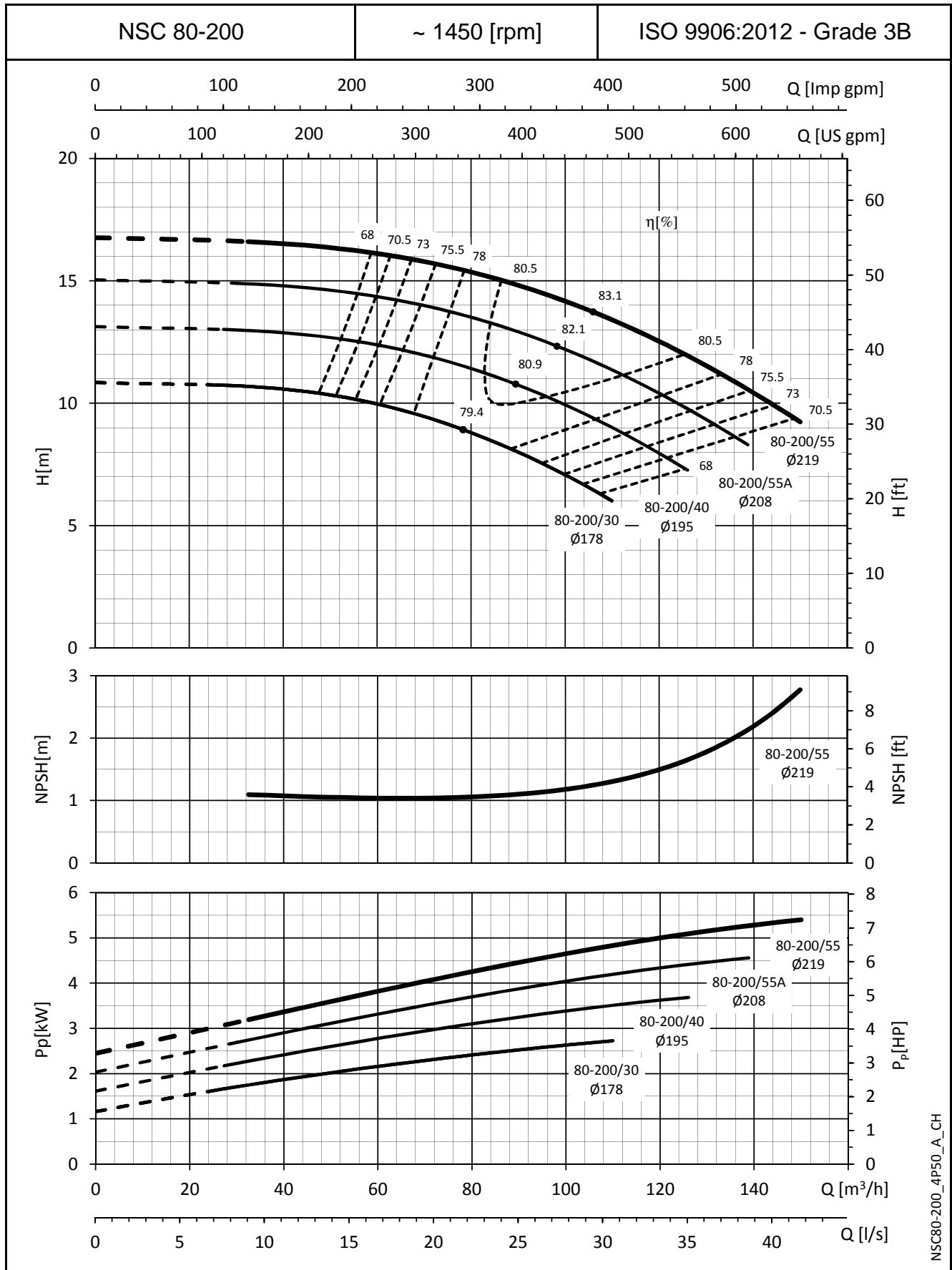


NSC80-160_4P50_A_CH

The NPSH values are laboratory values; for practical use we suggest increasing these values by 0,5 m.
 These performances are valid for liquids with density $\rho = 1,0 \text{ Kg/dm}^3$ and kinematic viscosity $\nu = 1 \text{ mm}^2/\text{sec}$.

e-NSC SERIES

OPERATING CHARACTERISTICS AT 50 Hz, 4 POLES

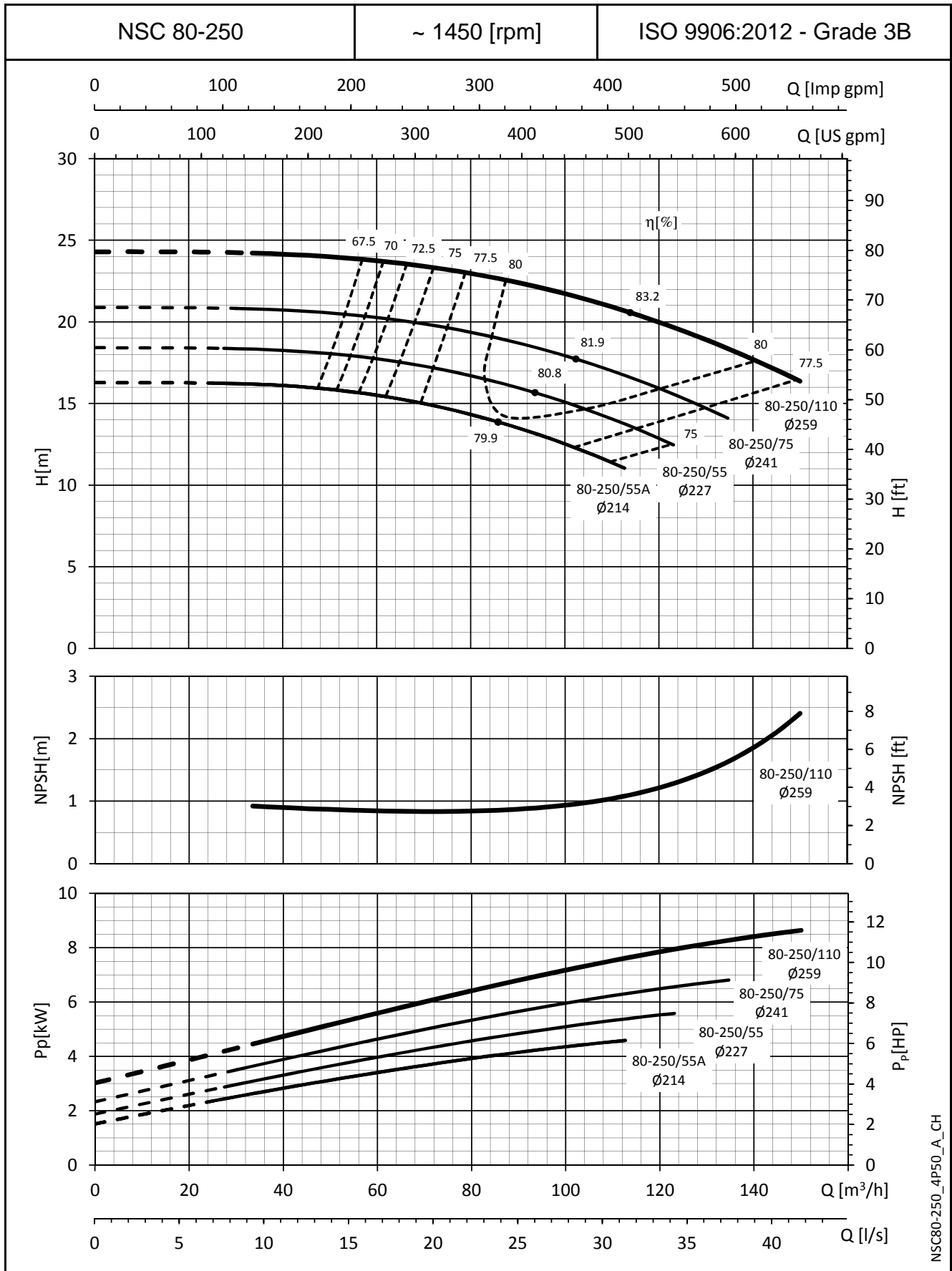


NSC80-200_4P50_A_CH

The NPSH values are laboratory values; for practical use we suggest increasing these values by 0,5 m.
 These performances are valid for liquids with density $\rho = 1,0 \text{ Kg/dm}^3$ and kinematic viscosity $\nu = 1 \text{ mm}^2/\text{sec}$.

e-NSC SERIES

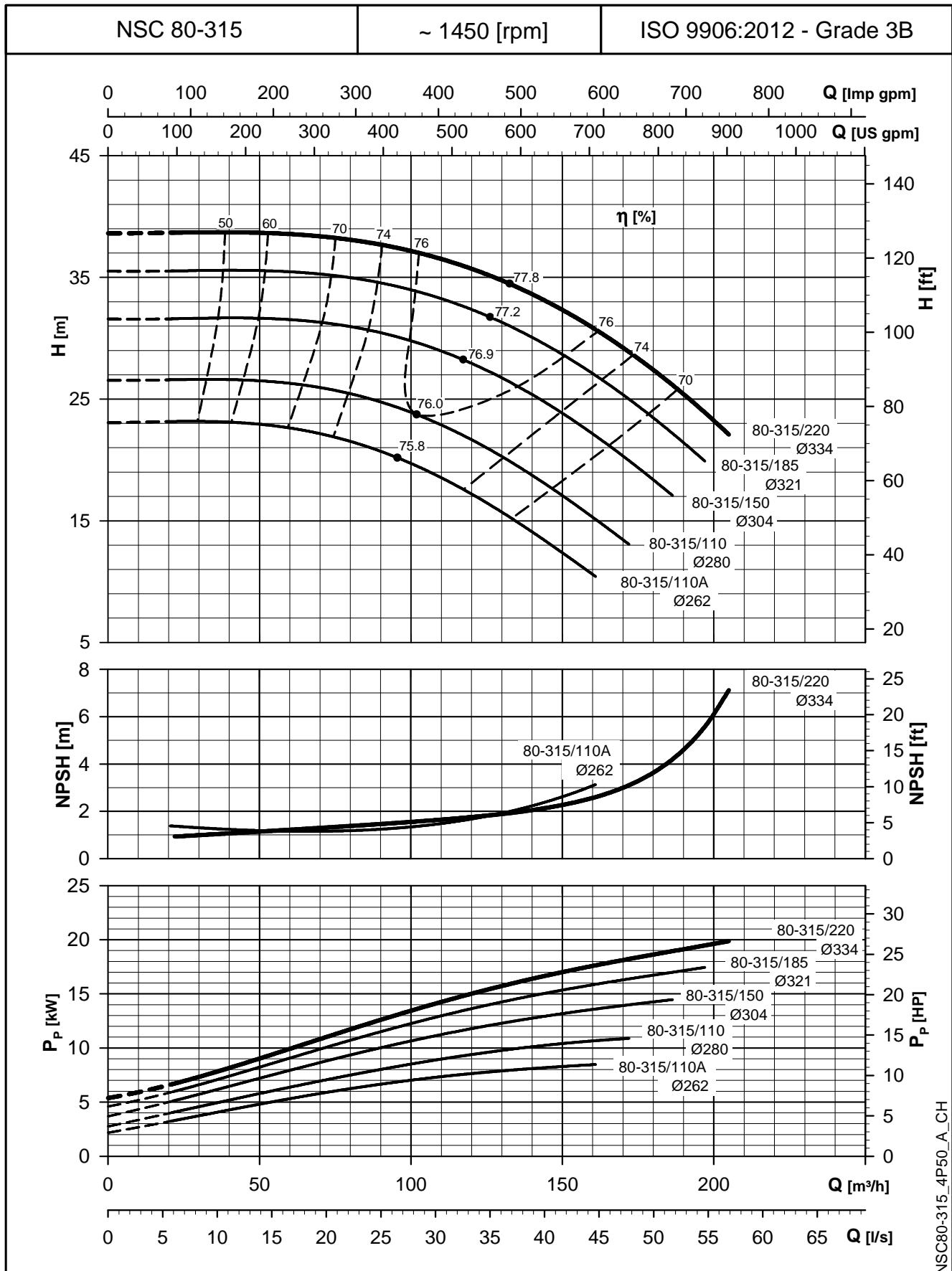
OPERATING CHARACTERISTICS AT 50 Hz, 4 POLES



The NPSH values are laboratory values; for practical use we suggest increasing these values by 0,5 m.
 These performances are valid for liquids with density $\rho = 1,0 \text{ Kg/dm}^3$ and kinematic viscosity $\nu = 1 \text{ mm}^2/\text{sec}$.

e-NSC SERIES

OPERATING CHARACTERISTICS AT 50 Hz, 4 POLES

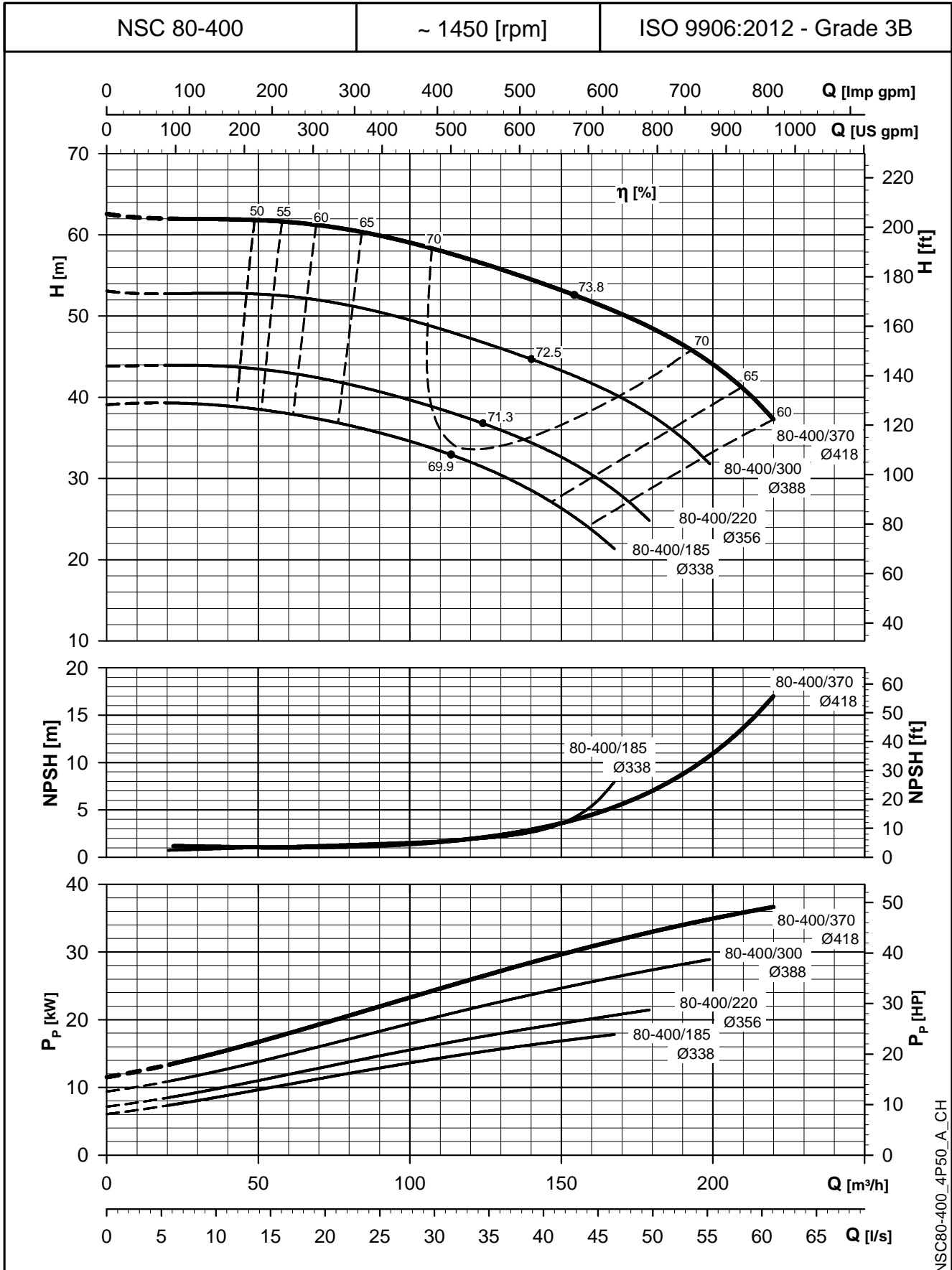


NSC80-315_4P50_A_CH

The NPSH values are laboratory values; for practical use we suggest increasing these values by 0,5 m.
 These performances are valid for liquids with density $\rho = 1,0 \text{ Kg/dm}^3$ and kinematic viscosity $\nu = 1 \text{ mm}^2/\text{sec}$.

e-NSC SERIES

OPERATING CHARACTERISTICS AT 50 Hz, 4 POLES

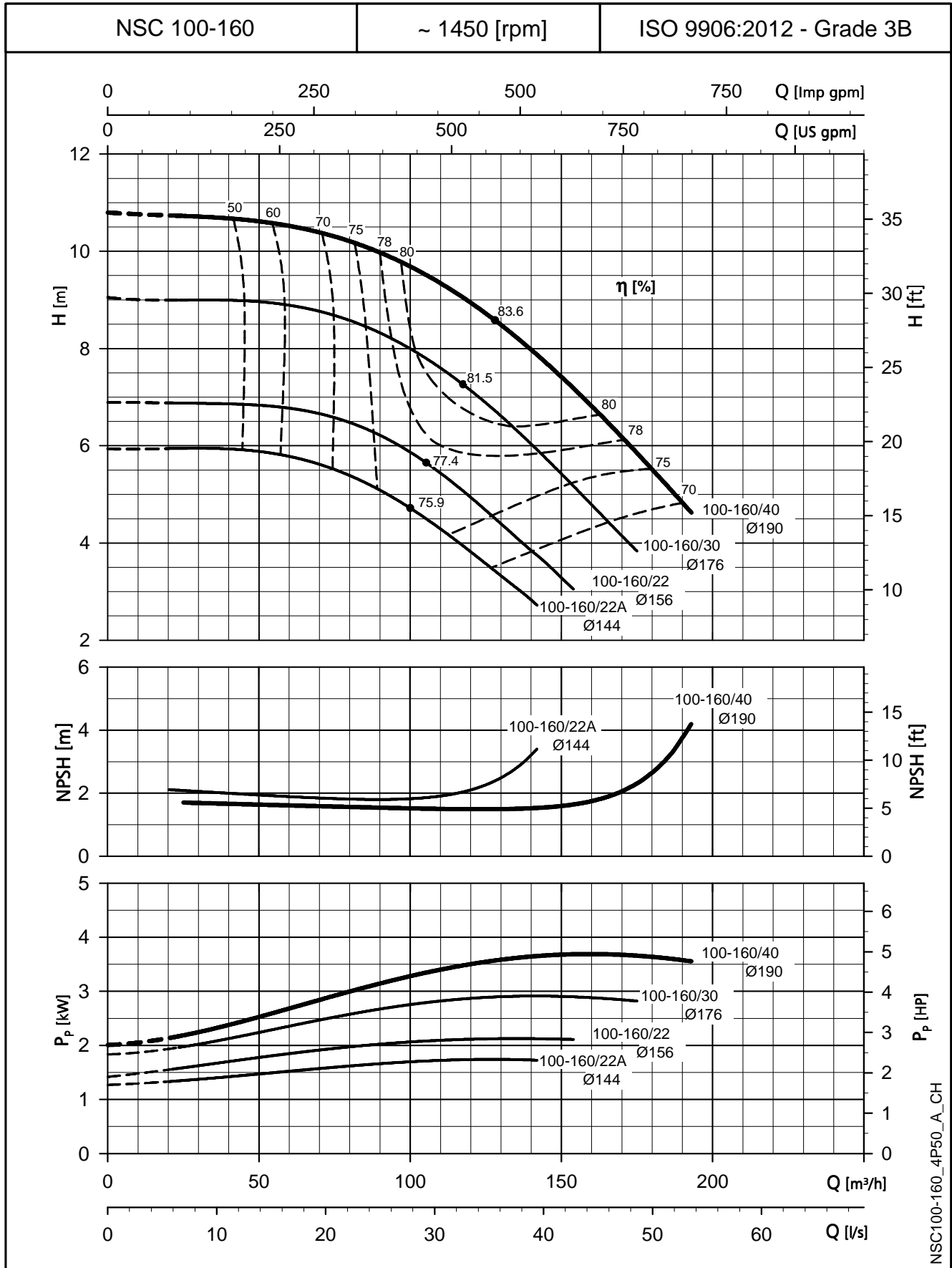


NSC80-400_4P50_A_CH

The NPSH values are laboratory values; for practical use we suggest increasing these values by 0,5 m.
 These performances are valid for liquids with density $\rho = 1,0 \text{ Kg/dm}^3$ and kinematic viscosity $\nu = 1 \text{ mm}^2/\text{sec}$.

e-NSC SERIES

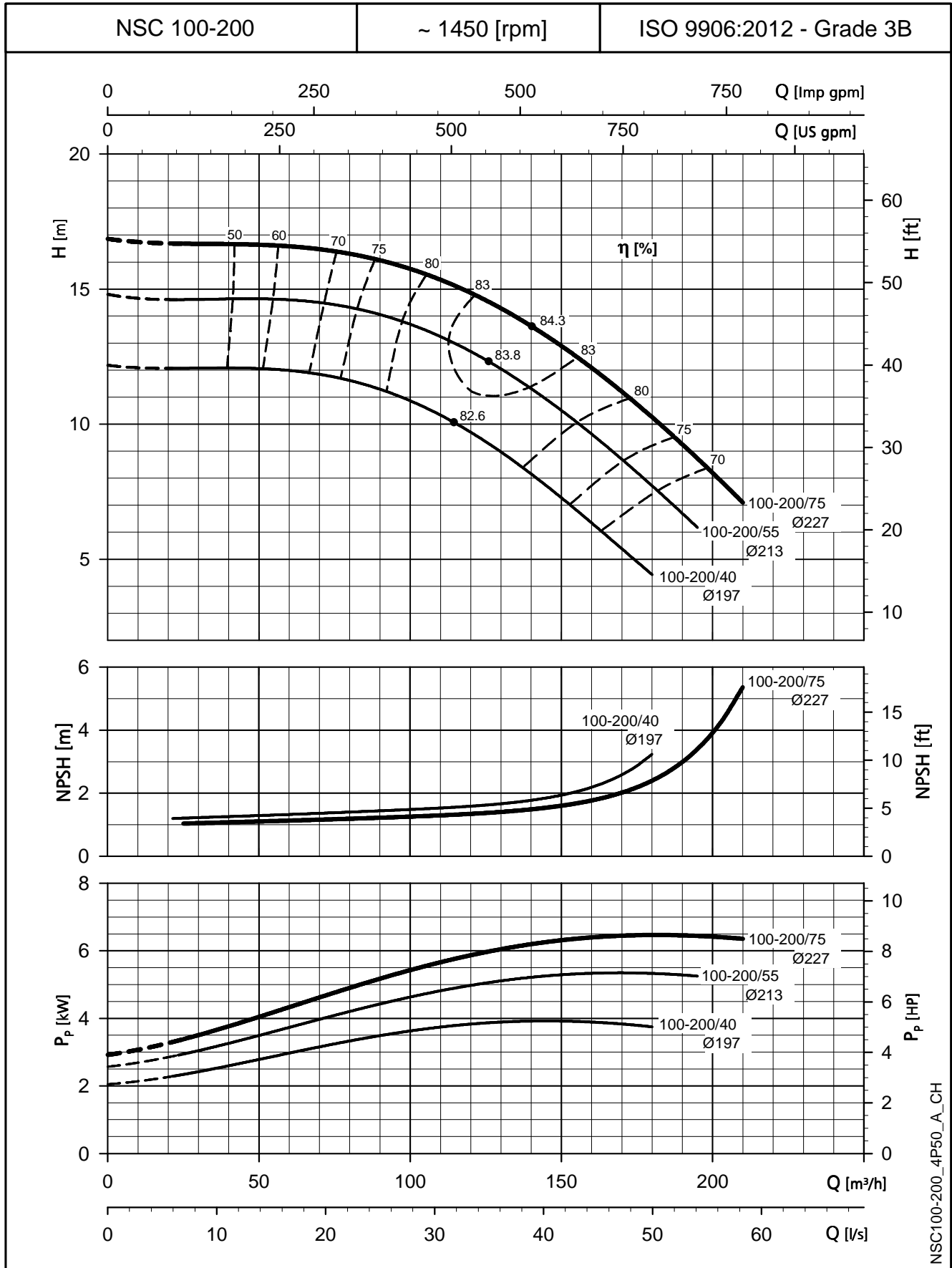
OPERATING CHARACTERISTICS AT 50 Hz, 4 POLES



The NPSH values are laboratory values; for practical use we suggest increasing these values by 0,5 m.
 These performances are valid for liquids with density $\rho = 1,0 \text{ Kg/dm}^3$ and kinematic viscosity $\nu = 1 \text{ mm}^2/\text{sec}$.

e-NSC SERIES

OPERATING CHARACTERISTICS AT 50 Hz, 4 POLES

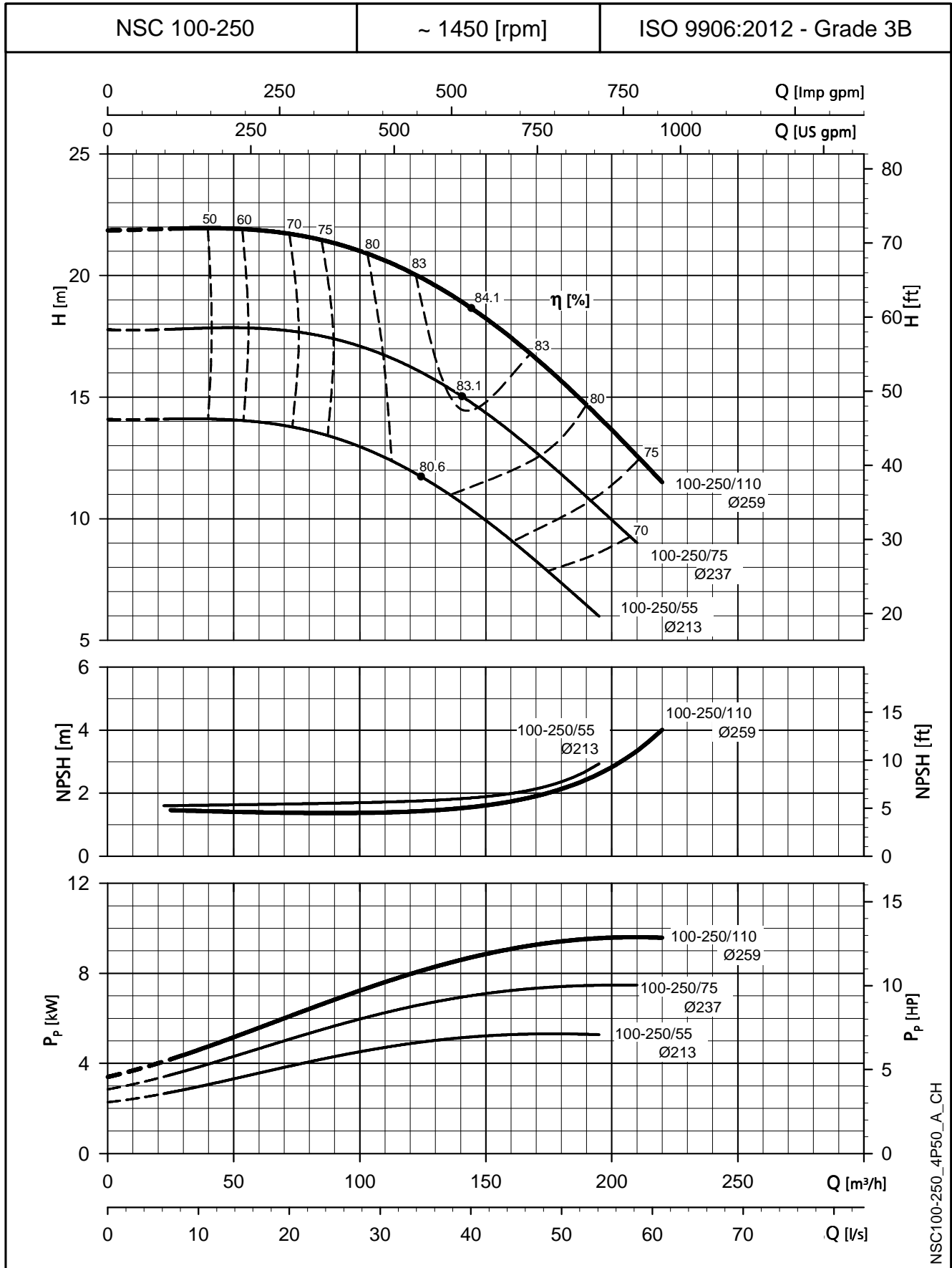


NSC100-200_4P50_A_CH

The NPSH values are laboratory values; for practical use we suggest increasing these values by 0,5 m.
 These performances are valid for liquids with density $\rho = 1,0 \text{ Kg/dm}^3$ and kinematic viscosity $\nu = 1 \text{ mm}^2/\text{sec}$.

e-NSC SERIES

OPERATING CHARACTERISTICS AT 50 Hz, 4 POLES

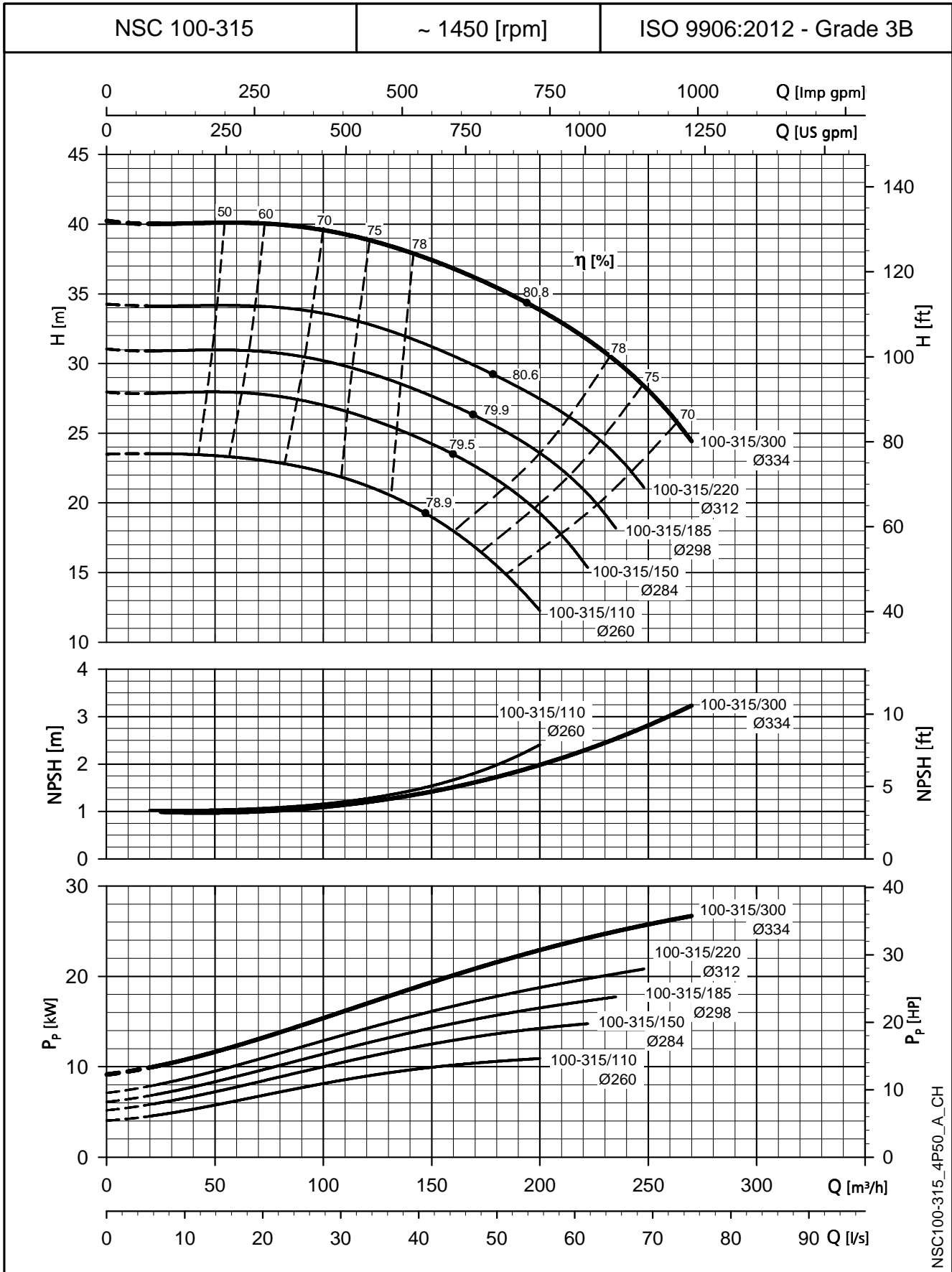


NSC100-250_4P50_A_CH

The NPSH values are laboratory values; for practical use we suggest increasing these values by 0,5 m.
 These performances are valid for liquids with density $\rho = 1,0 \text{ Kg/dm}^3$ and kinematic viscosity $\nu = 1 \text{ mm}^2/\text{sec}$.

e-NSC SERIES

OPERATING CHARACTERISTICS AT 50 Hz, 4 POLES

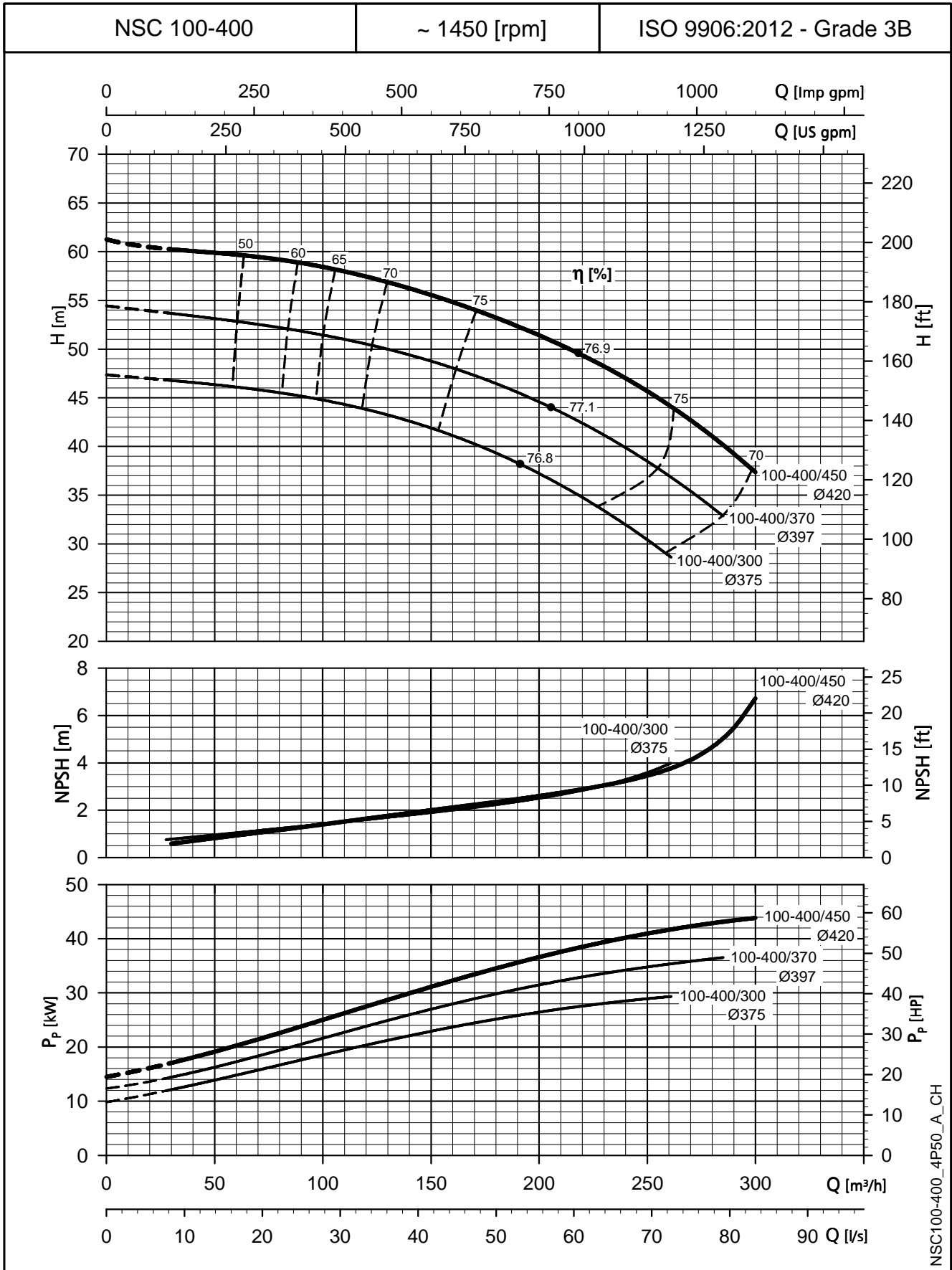


NSC100-315_4P50_A_CH

The NPSH values are laboratory values; for practical use we suggest increasing these values by 0,5 m.
 These performances are valid for liquids with density $\rho = 1,0 \text{ Kg/dm}^3$ and kinematic viscosity $\nu = 1 \text{ mm}^2/\text{sec}$.

e-NSC SERIES

OPERATING CHARACTERISTICS AT 50 Hz, 4 POLES

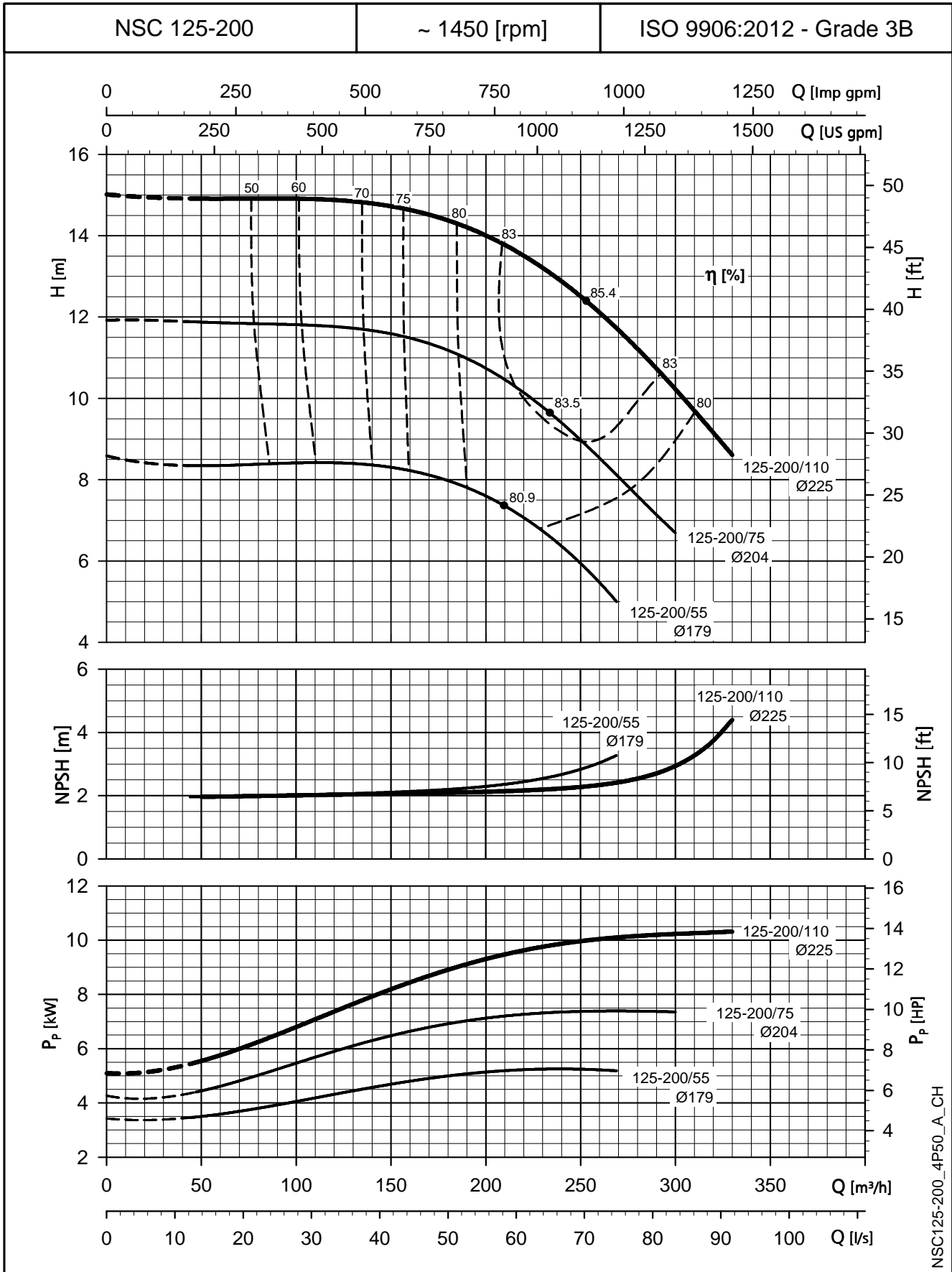


NSC100-400_4P50_A_CH

The NPSH values are laboratory values; for practical use we suggest increasing these values by 0,5 m.
 These performances are valid for liquids with density $\rho = 1,0 \text{ Kg/dm}^3$ and kinematic viscosity $\nu = 1 \text{ mm}^2/\text{sec}$.

e-NSC SERIES

OPERATING CHARACTERISTICS AT 50 Hz, 4 POLES

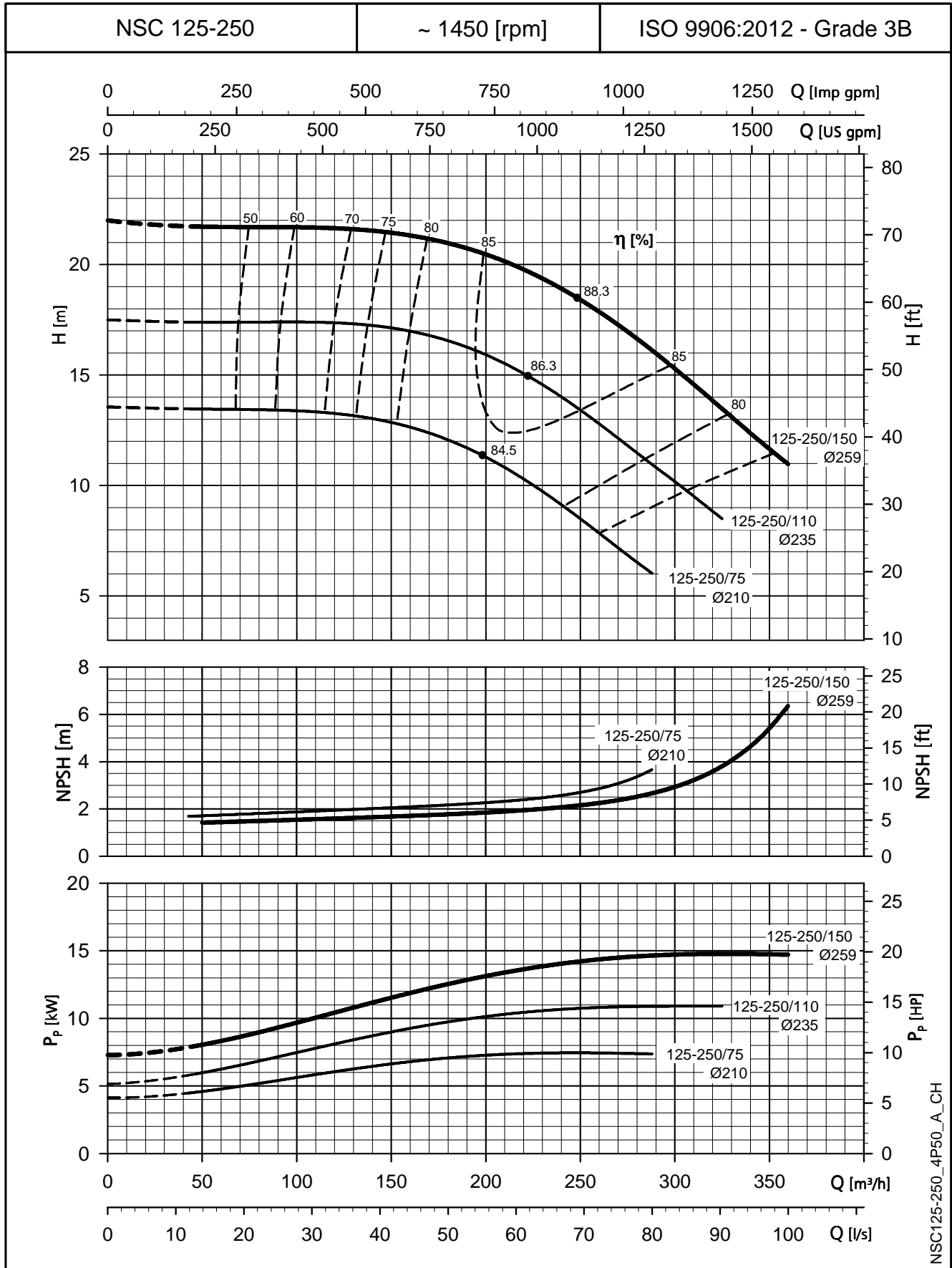


NSC125-200_4P50_A_CH

The NPSH values are laboratory values; for practical use we suggest increasing these values by 0,5 m.
 These performances are valid for liquids with density $\rho = 1,0 \text{ Kg/dm}^3$ and kinematic viscosity $\nu = 1 \text{ mm}^2/\text{sec}$.

e-NSC SERIES

OPERATING CHARACTERISTICS AT 50 Hz, 4 POLES

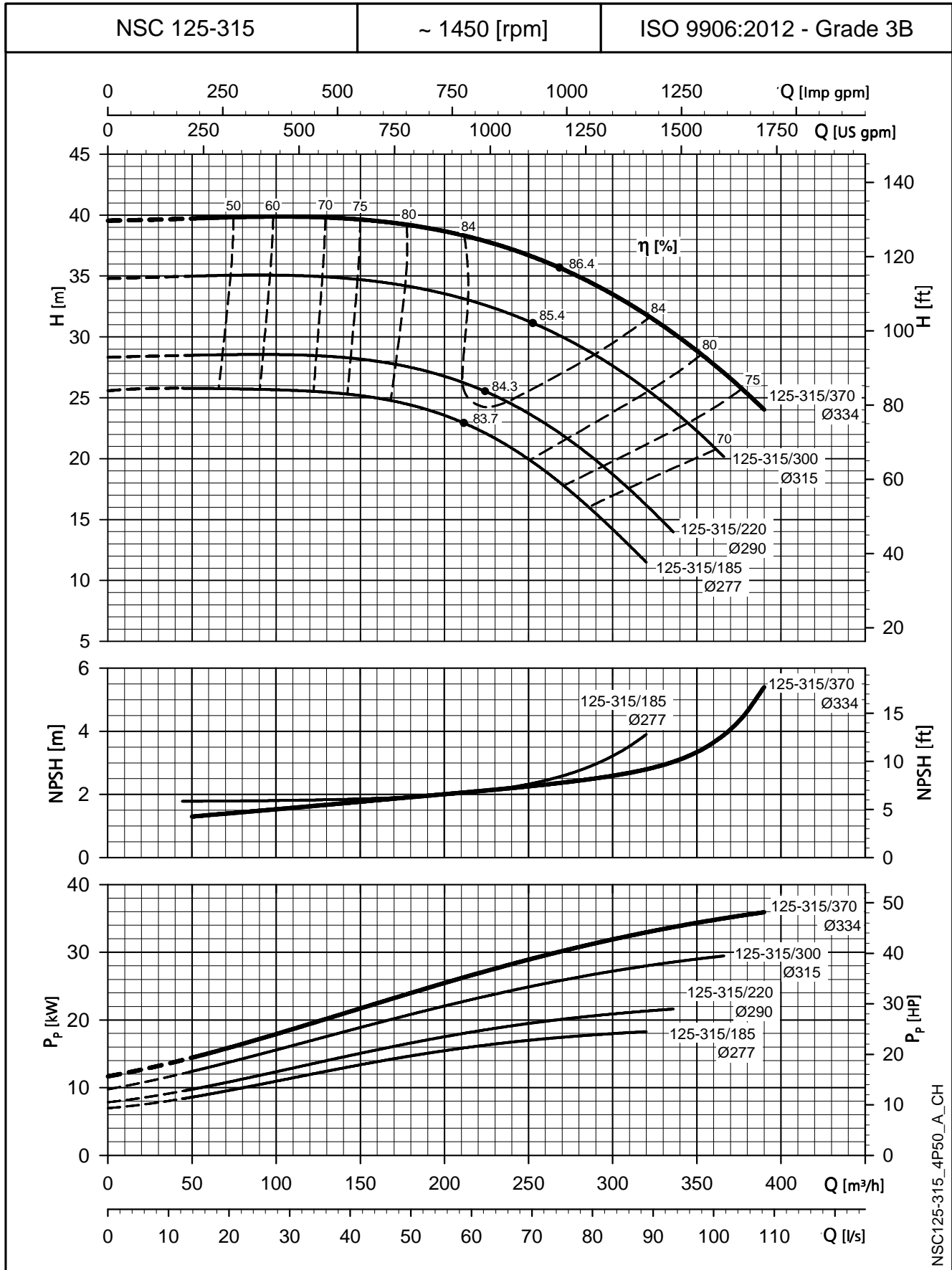


NSC125-250_4P50_A_CH

The NPSH values are laboratory values; for practical use we suggest increasing these values by 0,5 m.
 These performances are valid for liquids with density $\rho = 1,0 \text{ Kg/dm}^3$ and kinematic viscosity $\nu = 1 \text{ mm}^2/\text{sec}$.

e-NSC SERIES

OPERATING CHARACTERISTICS AT 50 Hz, 4 POLES

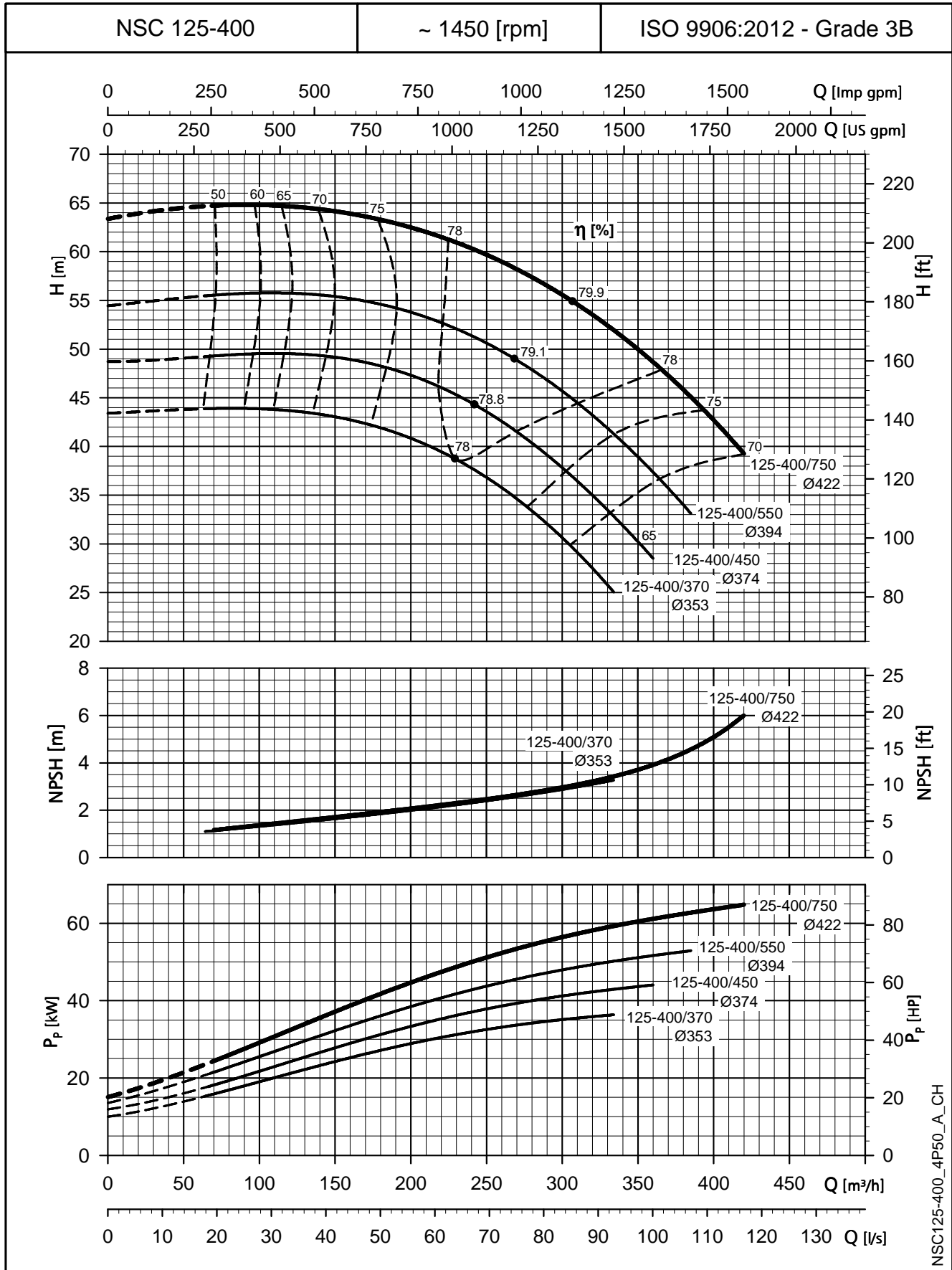


NSC125-315_4P50_A_CH

The NPSH values are laboratory values; for practical use we suggest increasing these values by 0,5 m.
 These performances are valid for liquids with density $\rho = 1,0 \text{ Kg/dm}^3$ and kinematic viscosity $\nu = 1 \text{ mm}^2/\text{sec}$.

e-NSC SERIES

OPERATING CHARACTERISTICS AT 50 Hz, 4 POLES

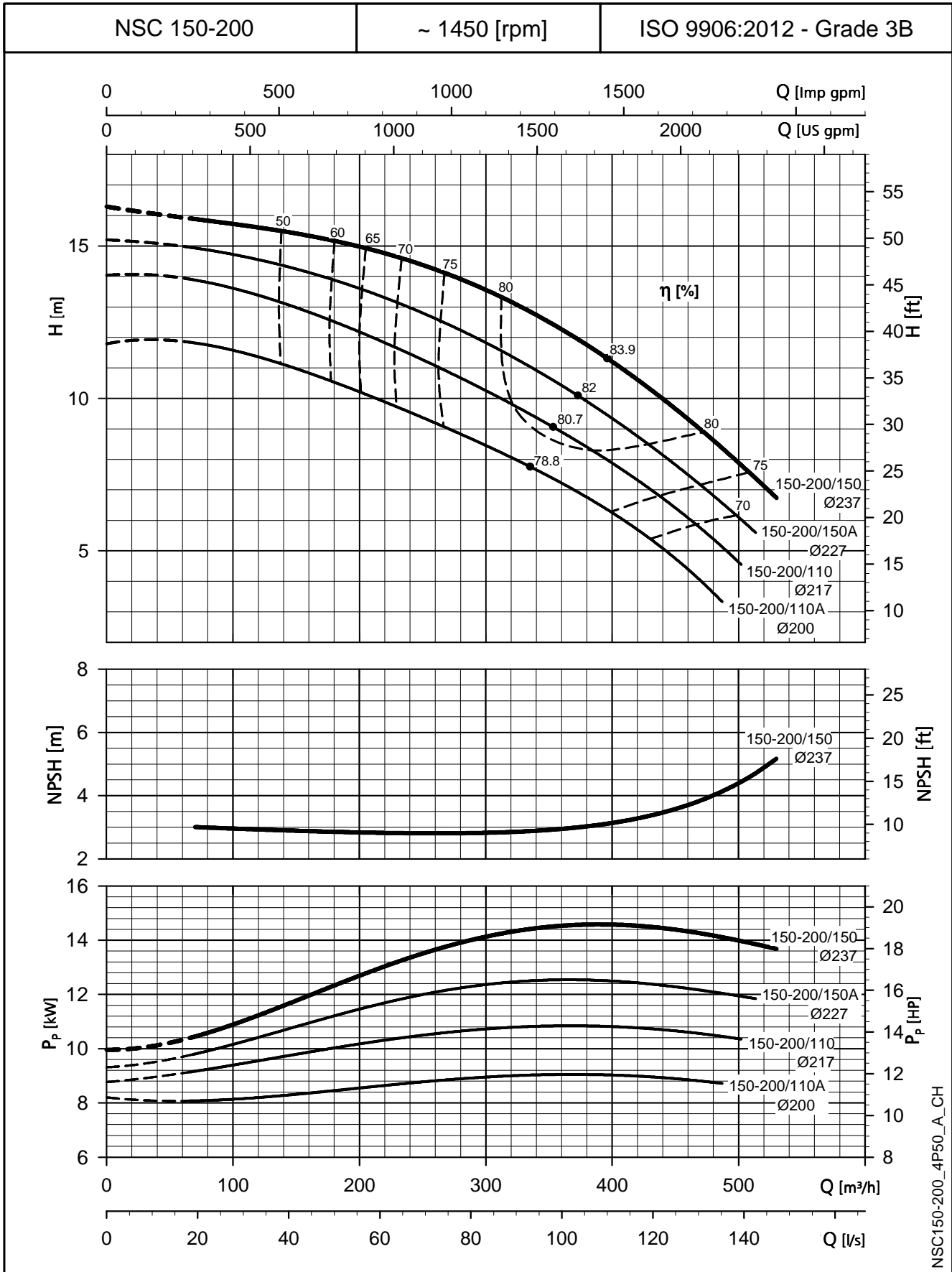


NSC125-400_4P50_A_CH

The NPSH values are laboratory values; for practical use we suggest increasing these values by 0,5 m.
 These performances are valid for liquids with density $\rho = 1,0 \text{ Kg/dm}^3$ and kinematic viscosity $\nu = 1 \text{ mm}^2/\text{sec}$.

e-NSC SERIES

OPERATING CHARACTERISTICS AT 50 Hz, 4 POLES

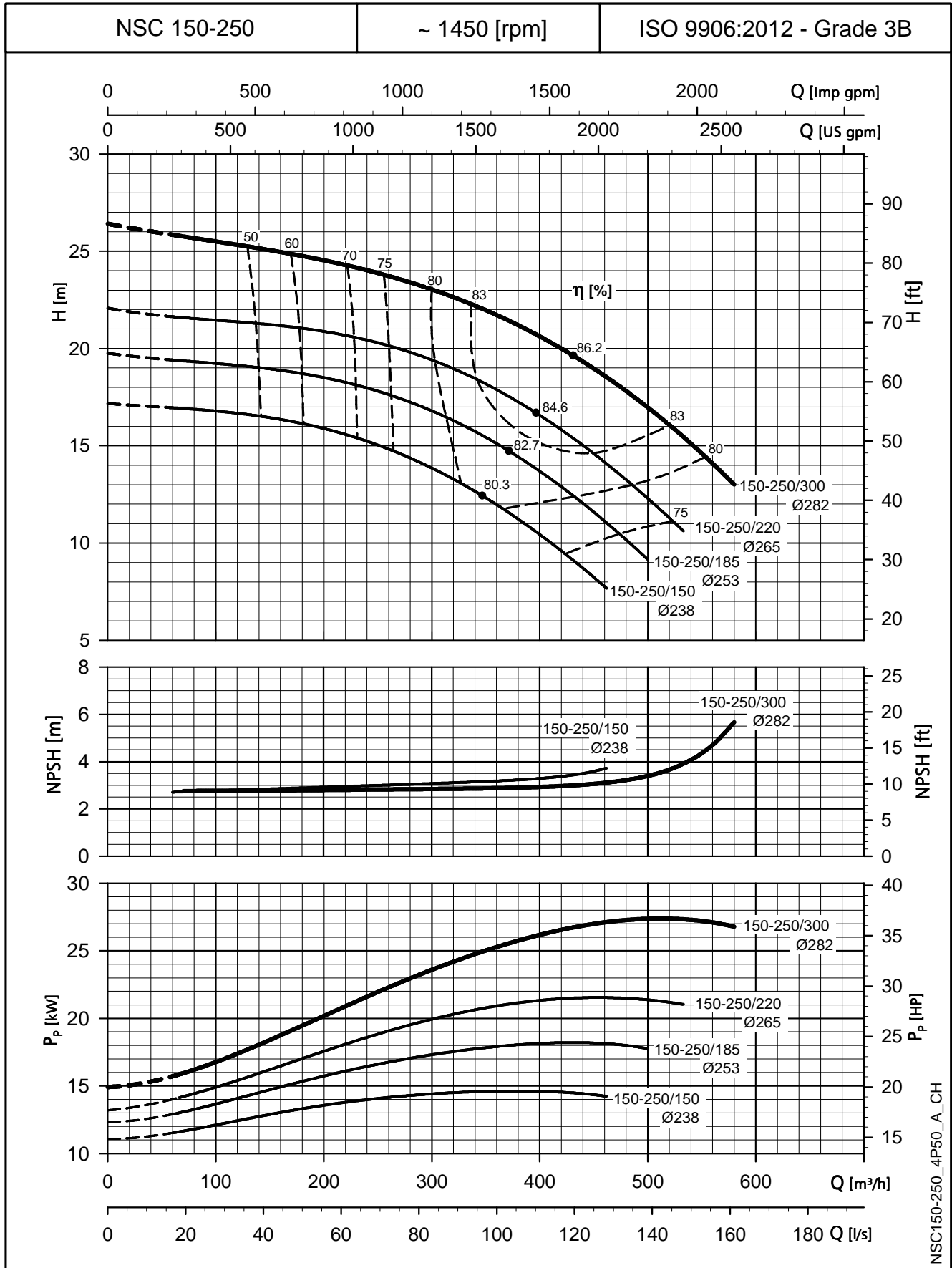


NSC150-200_4P50_A_CH

The NPSH values are laboratory values; for practical use we suggest increasing these values by 0,5 m.
 These performances are valid for liquids with density $\rho = 1,0 \text{ Kg/dm}^3$ and kinematic viscosity $\nu = 1 \text{ mm}^2/\text{sec}$.

e-NSC SERIES

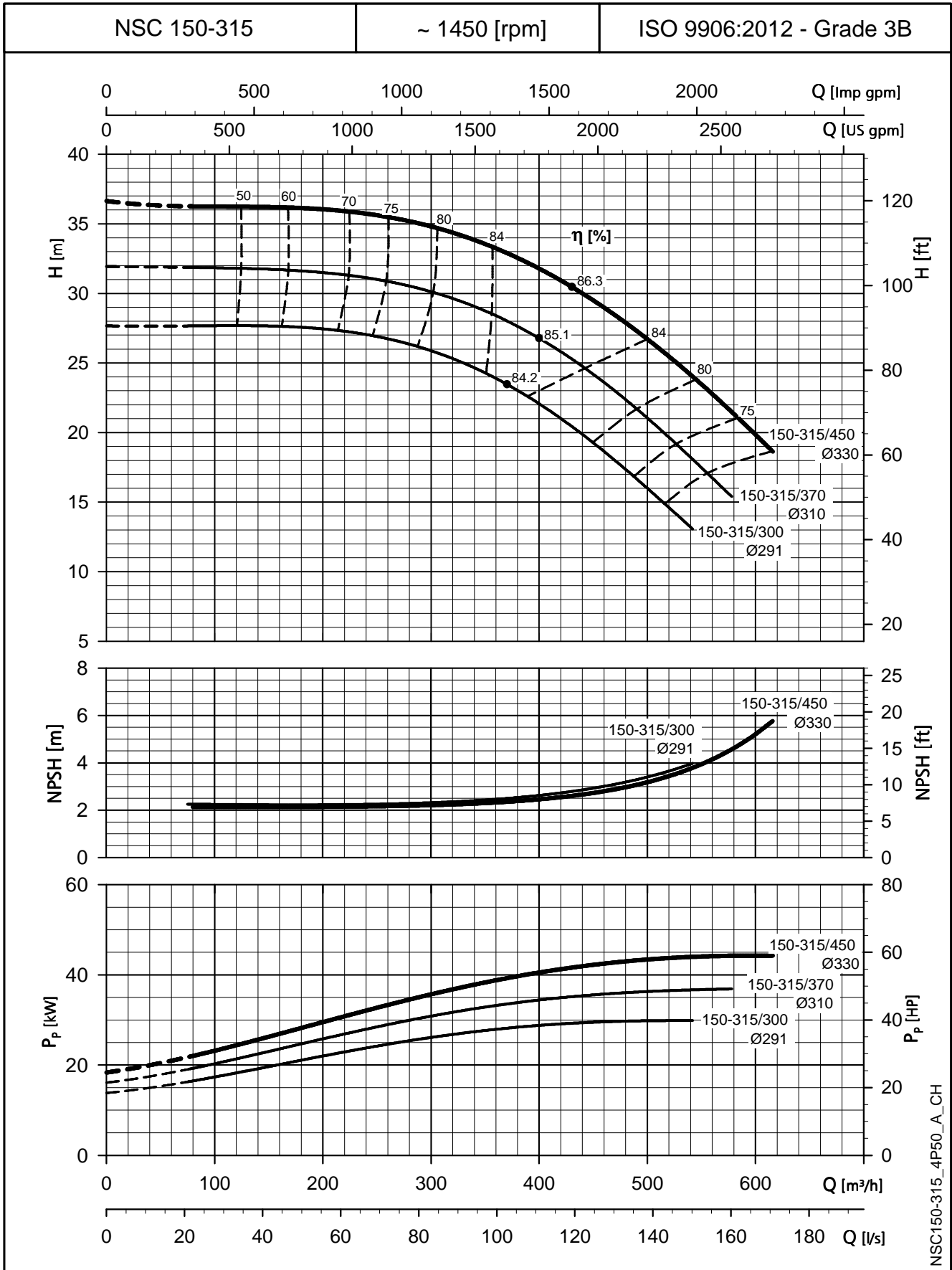
OPERATING CHARACTERISTICS AT 50 Hz, 4 POLES



The NPSH values are laboratory values; for practical use we suggest increasing these values by 0,5 m.
 These performances are valid for liquids with density $\rho = 1,0 \text{ Kg/dm}^3$ and kinematic viscosity $\nu = 1 \text{ mm}^2/\text{sec}$.

e-NSC SERIES

OPERATING CHARACTERISTICS AT 50 Hz, 4 POLES

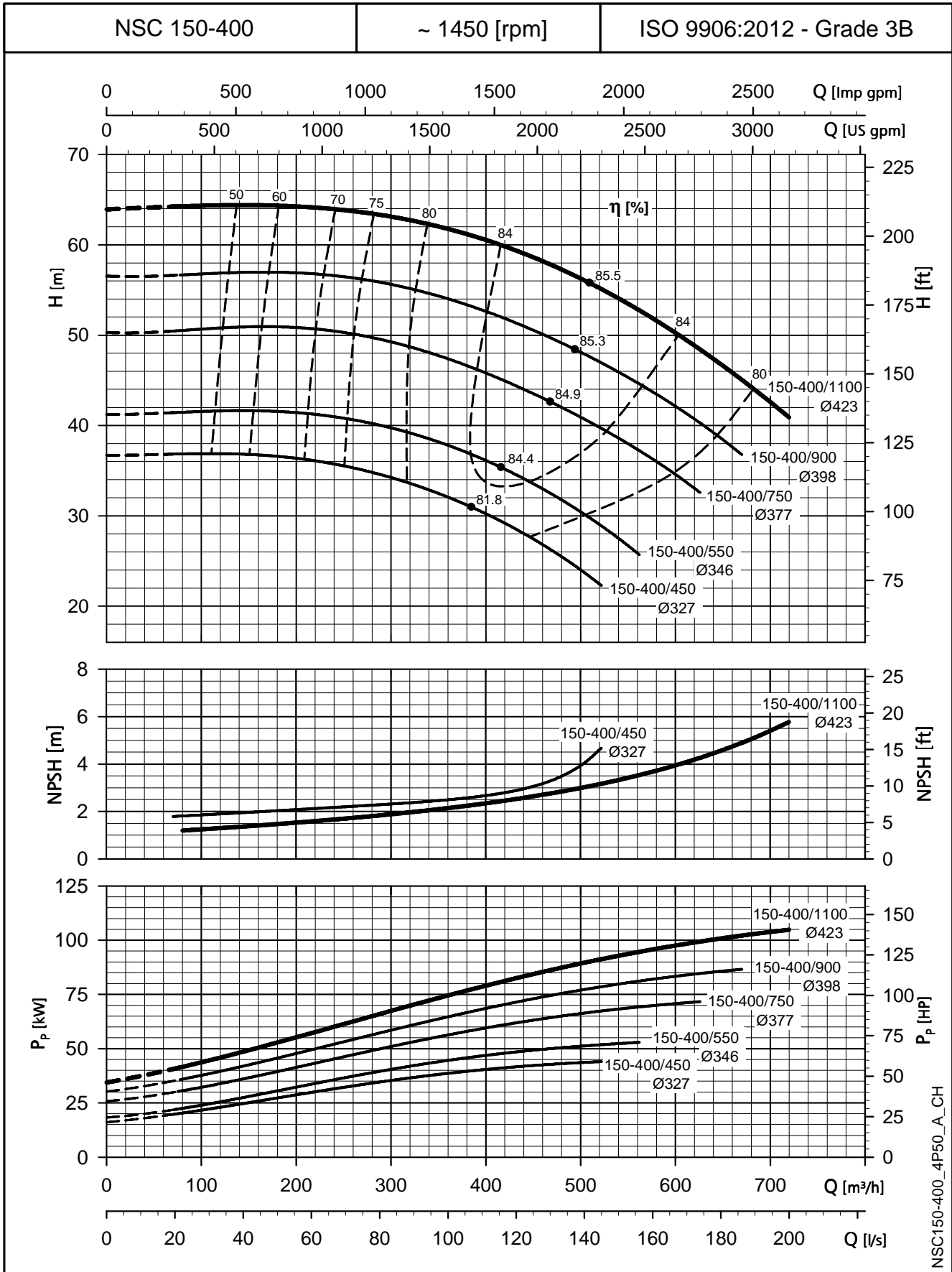


NSC150-315_4P50_A_CH

The NPSH values are laboratory values; for practical use we suggest increasing these values by 0,5 m.
 These performances are valid for liquids with density $\rho = 1,0 \text{ Kg/dm}^3$ and kinematic viscosity $\nu = 1 \text{ mm}^2/\text{sec}$.

e-NSC SERIES

OPERATING CHARACTERISTICS AT 50 Hz, 4 POLES

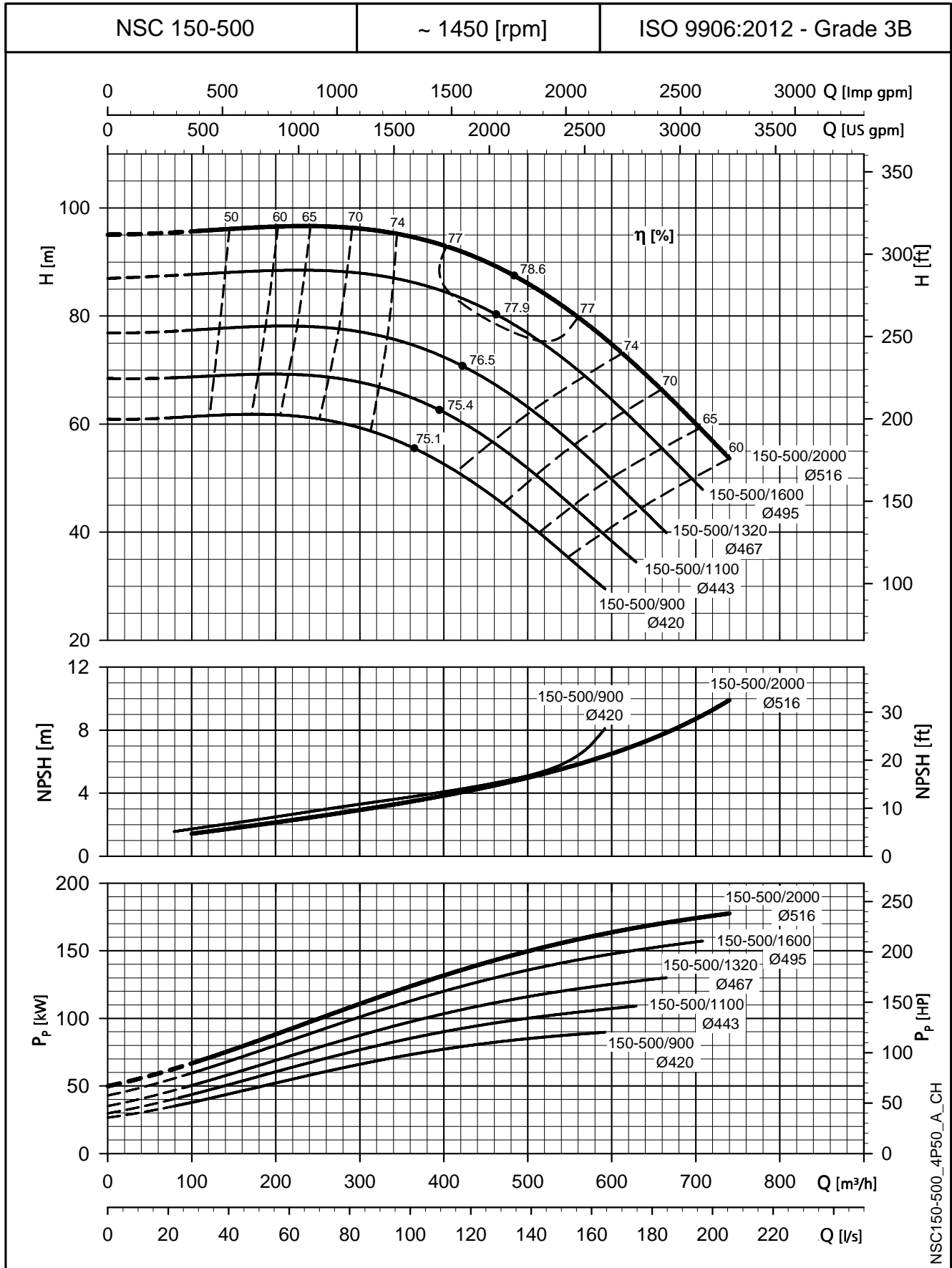


NSC150-400_4P50_A_CH

The NPSH values are laboratory values; for practical use we suggest increasing these values by 0,5 m.
 These performances are valid for liquids with density $\rho = 1,0 \text{ Kg/dm}^3$ and kinematic viscosity $\nu = 1 \text{ mm}^2/\text{sec}$.

e-NSC SERIES

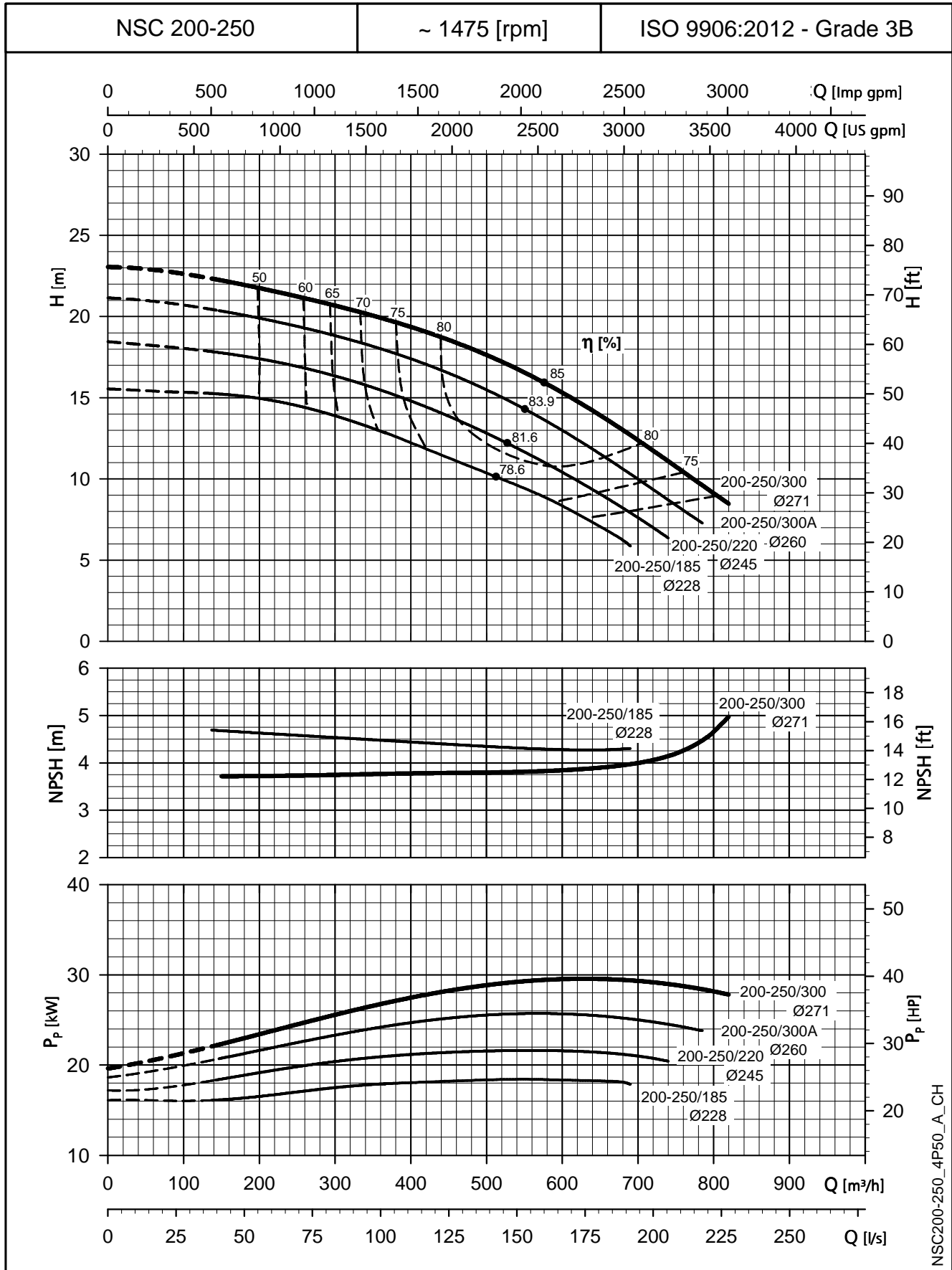
OPERATING CHARACTERISTICS AT 50 Hz, 4 POLES



The NPSH values are laboratory values; for practical use we suggest increasing these values by 0,5 m.
 These performances are valid for liquids with density $\rho = 1,0 \text{ Kg/dm}^3$ and kinematic viscosity $\nu = 1 \text{ mm}^2/\text{sec}$.

e-NSC SERIES

OPERATING CHARACTERISTICS AT 50 Hz, 4 POLES

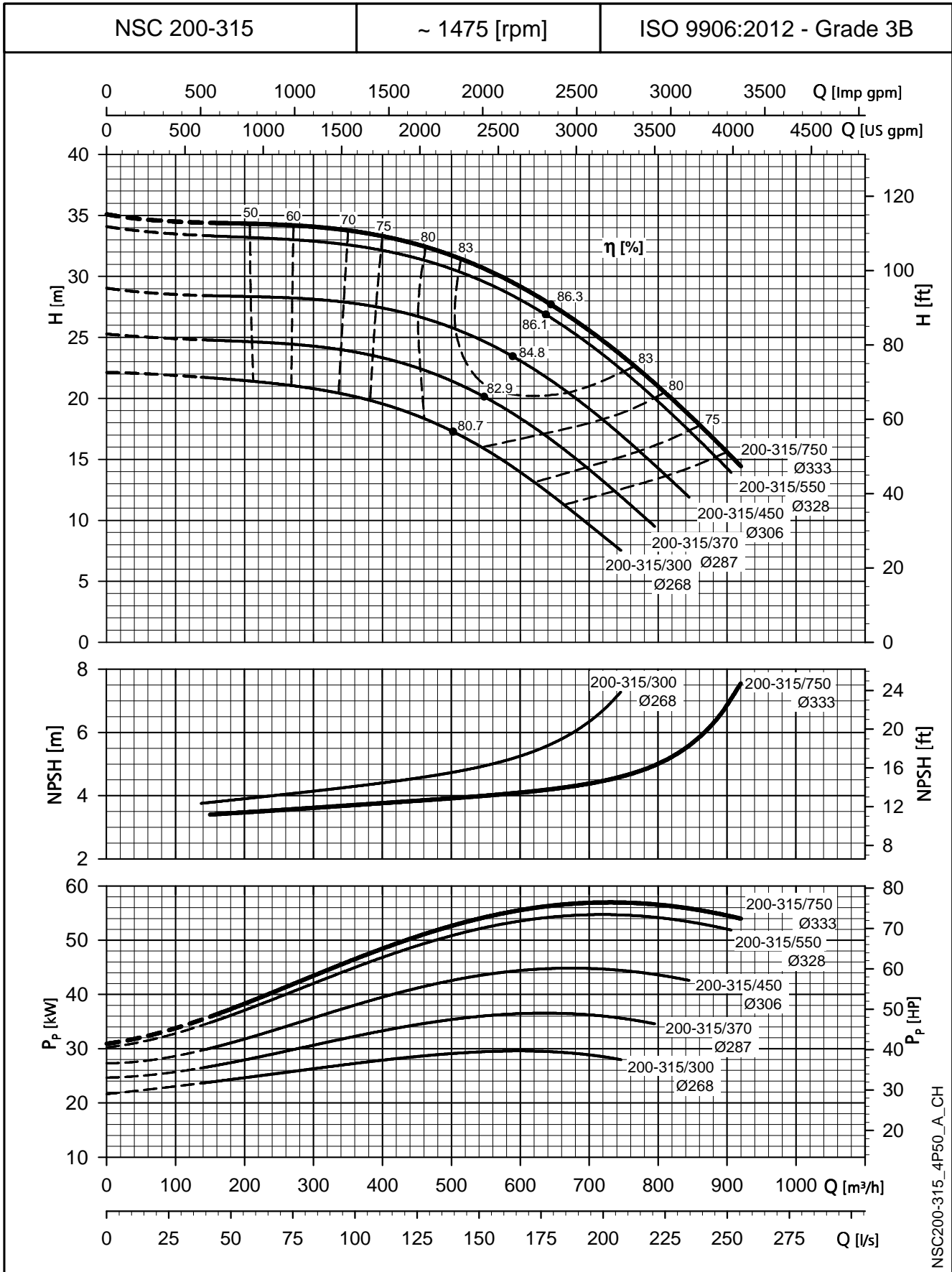


NSC200-250_4P50_A_CH

The NPSH values are laboratory values; for practical use we suggest increasing these values by 0,5 m.
 These performances are valid for liquids with density $\rho = 1,0 \text{ Kg/dm}^3$ and kinematic viscosity $\nu = 1 \text{ mm}^2/\text{sec}$.

e-NSC SERIES

OPERATING CHARACTERISTICS AT 50 Hz, 4 POLES

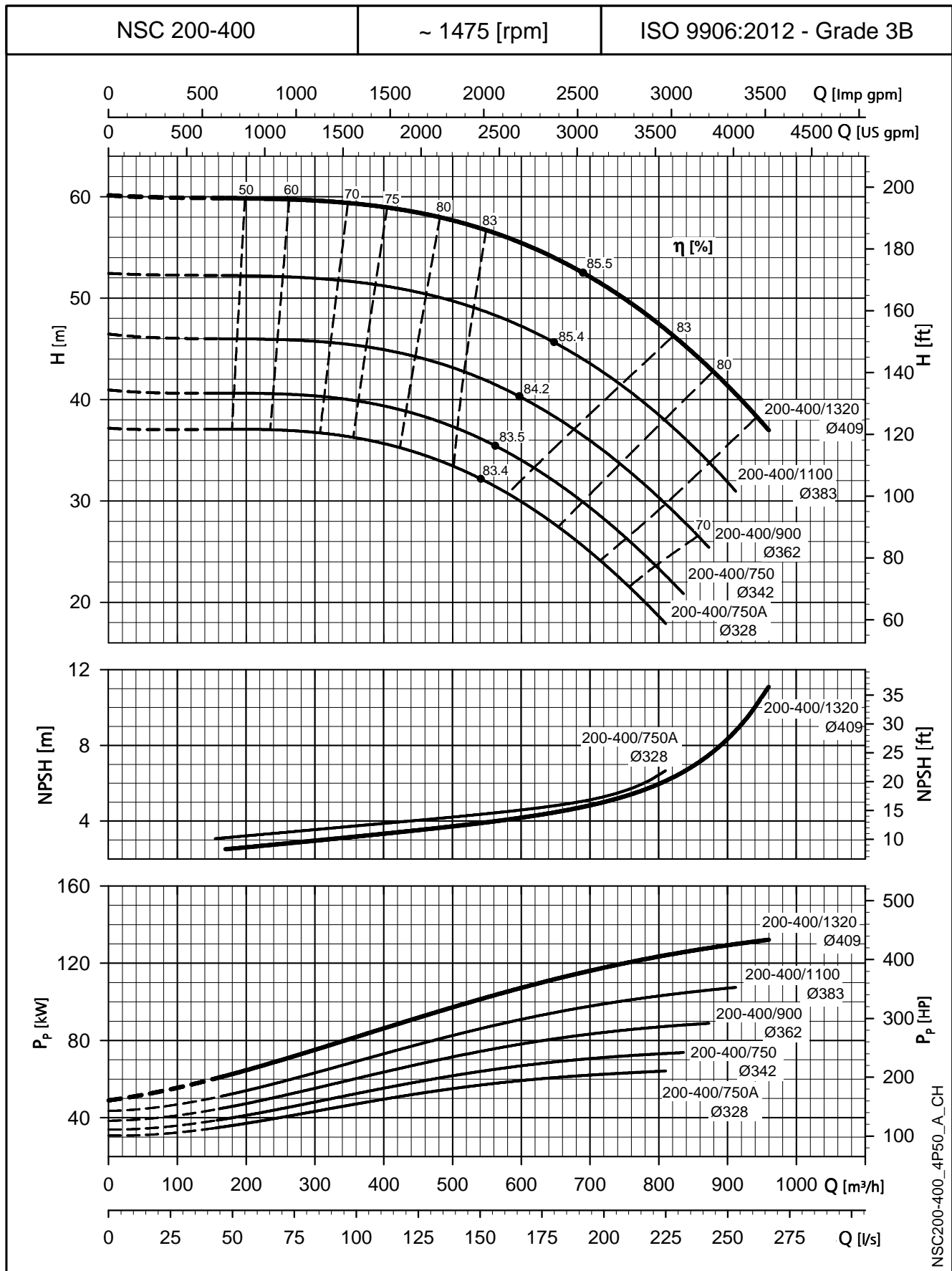


NSC200-315_4P50_A_CH

The NPSH values are laboratory values; for practical use we suggest increasing these values by 0,5 m.
 These performances are valid for liquids with density $\rho = 1,0 \text{ Kg/dm}^3$ and kinematic viscosity $\nu = 1 \text{ mm}^2/\text{sec}$.

e-NSC SERIES

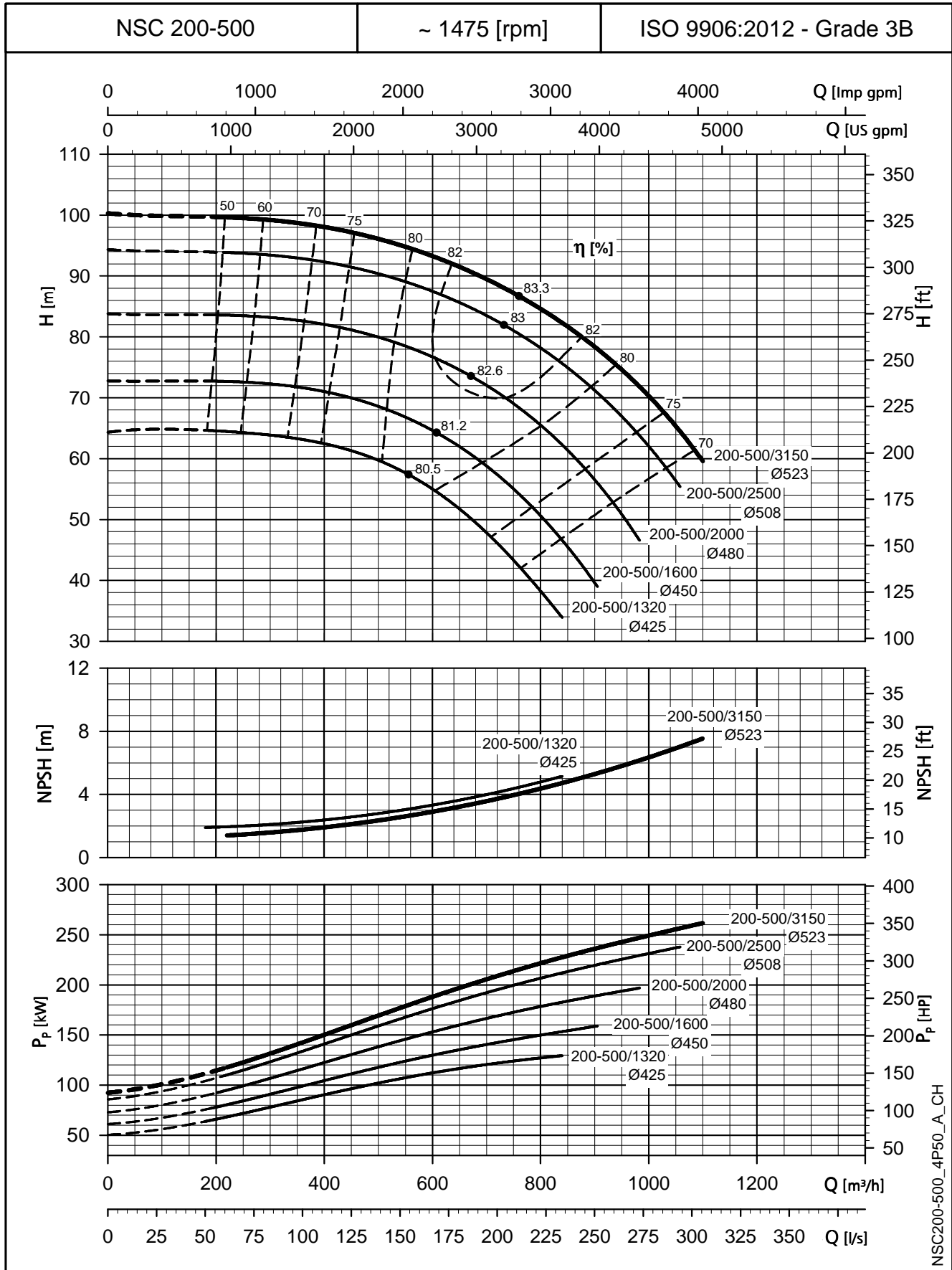
OPERATING CHARACTERISTICS AT 50 Hz, 4 POLES



The NPSH values are laboratory values; for practical use we suggest increasing these values by 0,5 m.
 These performances are valid for liquids with density $\rho = 1,0 \text{ Kg/dm}^3$ and kinematic viscosity $\nu = 1 \text{ mm}^2/\text{sec}$.

e-NSC SERIES

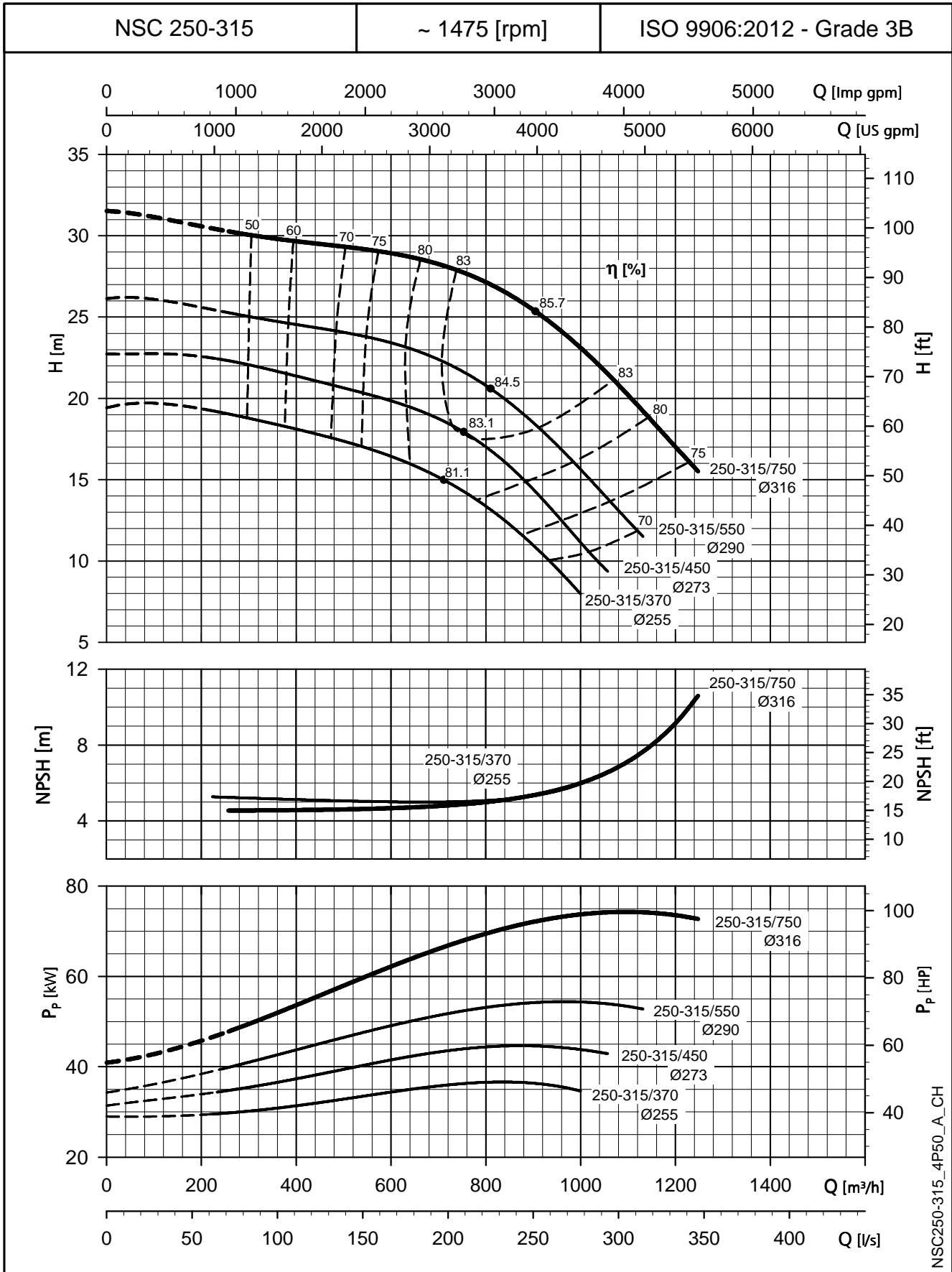
OPERATING CHARACTERISTICS AT 50 Hz, 4 POLES



The NPSH values are laboratory values; for practical use we suggest increasing these values by 0,5 m.
 These performances are valid for liquids with density $\rho = 1,0 \text{ Kg/dm}^3$ and kinematic viscosity $\nu = 1 \text{ mm}^2/\text{sec}$.

e-NSC SERIES

OPERATING CHARACTERISTICS AT 50 Hz, 4 POLES

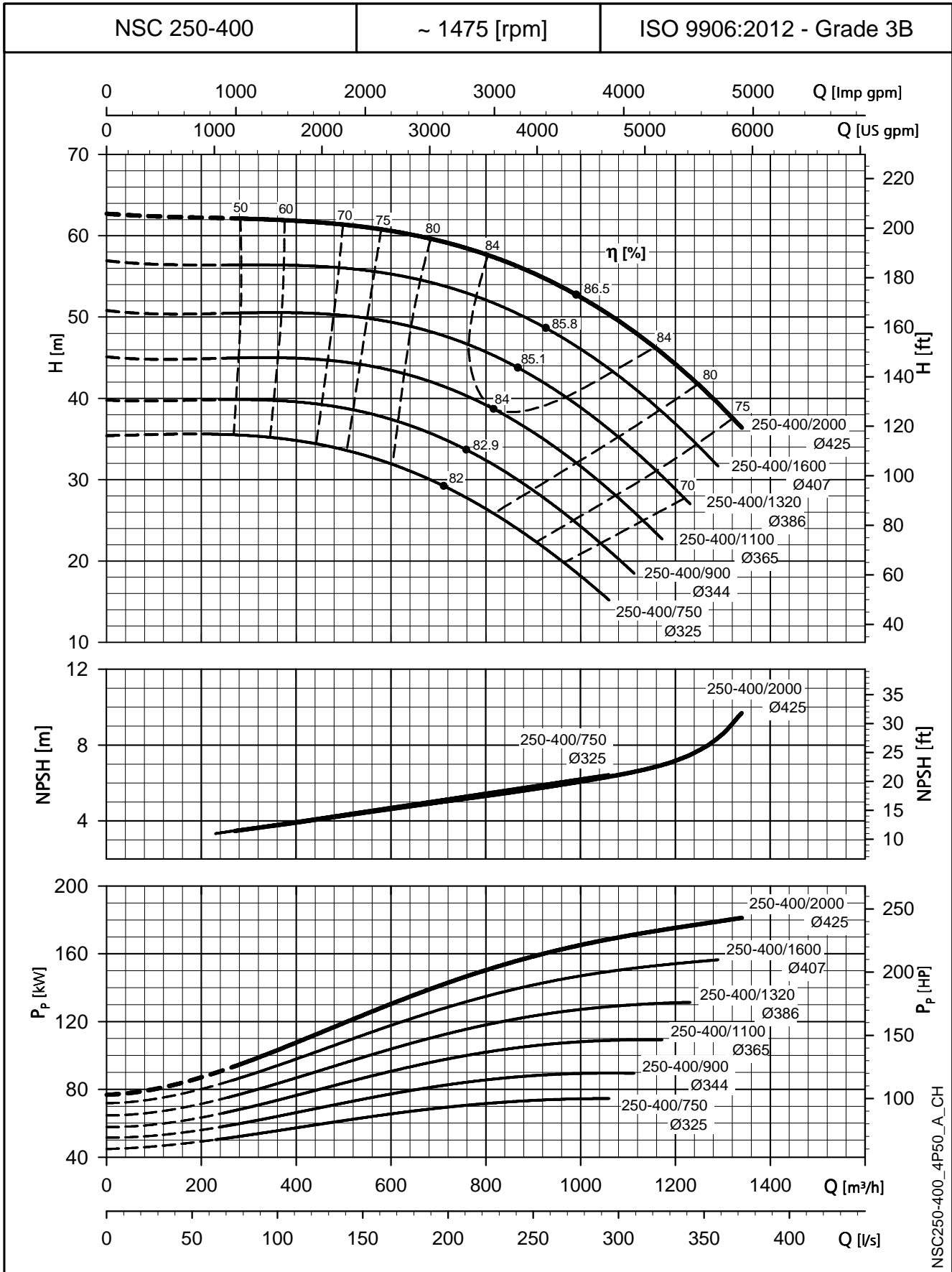


NSC250-315_4P50_A_CH

The NPSH values are laboratory values; for practical use we suggest increasing these values by 0,5 m.
 These performances are valid for liquids with density $\rho = 1,0 \text{ Kg/dm}^3$ and kinematic viscosity $\nu = 1 \text{ mm}^2/\text{sec}$.

e-NSC SERIES

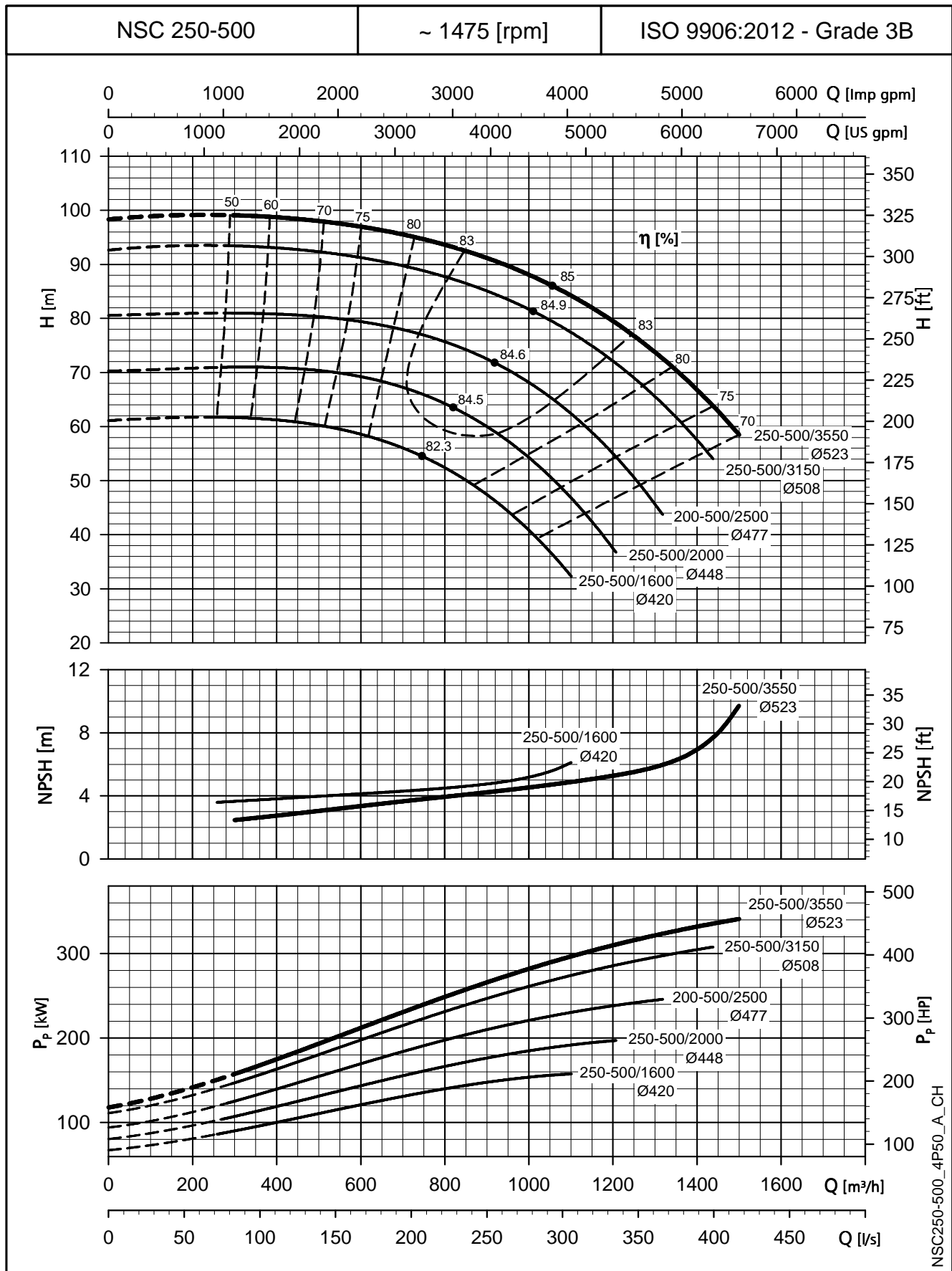
OPERATING CHARACTERISTICS AT 50 Hz, 4 POLES



The NPSH values are laboratory values; for practical use we suggest increasing these values by 0,5 m.
 These performances are valid for liquids with density $\rho = 1,0 \text{ Kg/dm}^3$ and kinematic viscosity $\nu = 1 \text{ mm}^2/\text{sec}$.

e-NSC SERIES

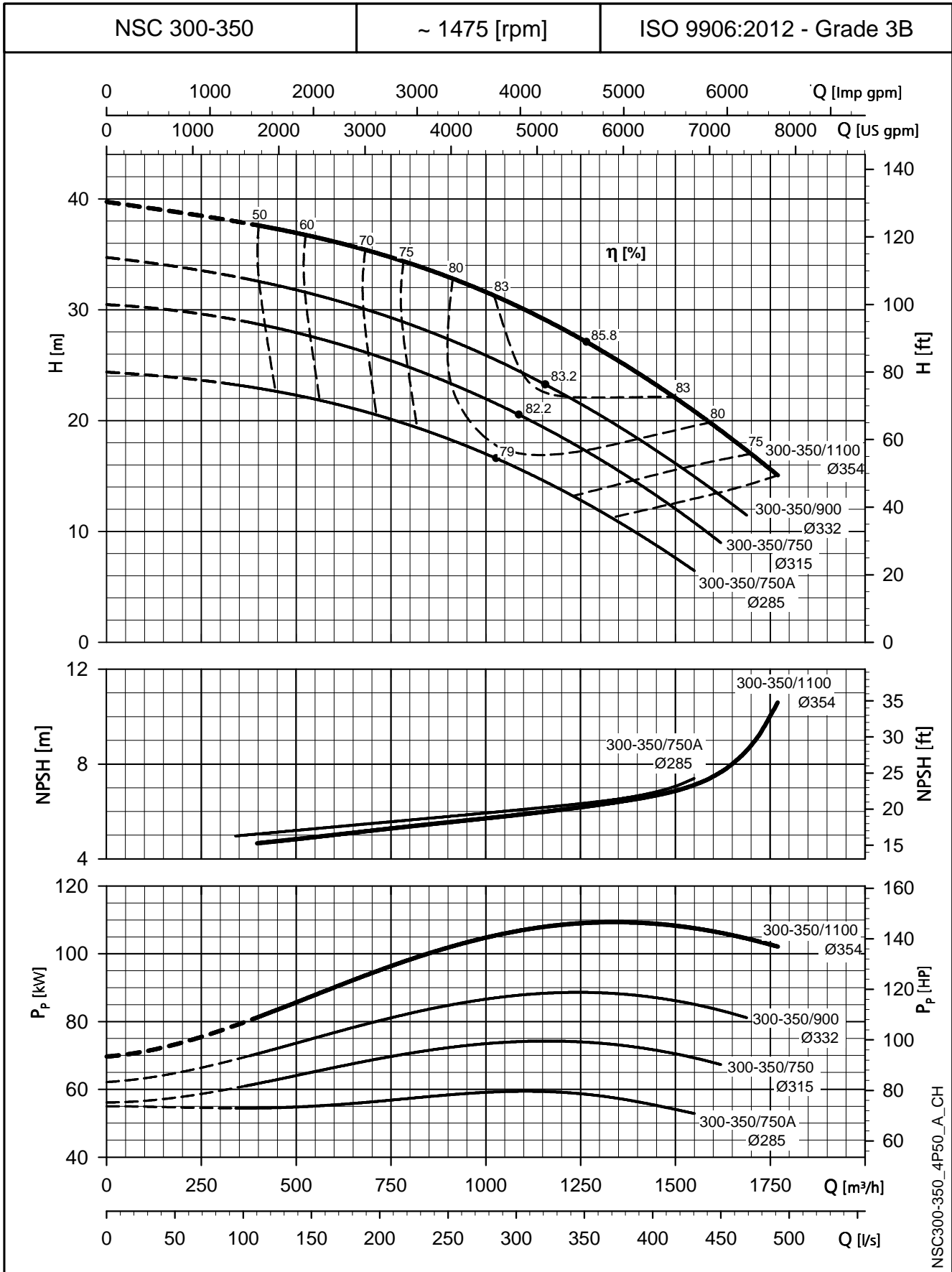
OPERATING CHARACTERISTICS AT 50 Hz, 4 POLES



The NPSH values are laboratory values; for practical use we suggest increasing these values by 0,5 m.
 These performances are valid for liquids with density $\rho = 1,0 \text{ Kg/dm}^3$ and kinematic viscosity $\nu = 1 \text{ mm}^2/\text{sec}$.

e-NSC SERIES

OPERATING CHARACTERISTICS AT 50 Hz, 4 POLES

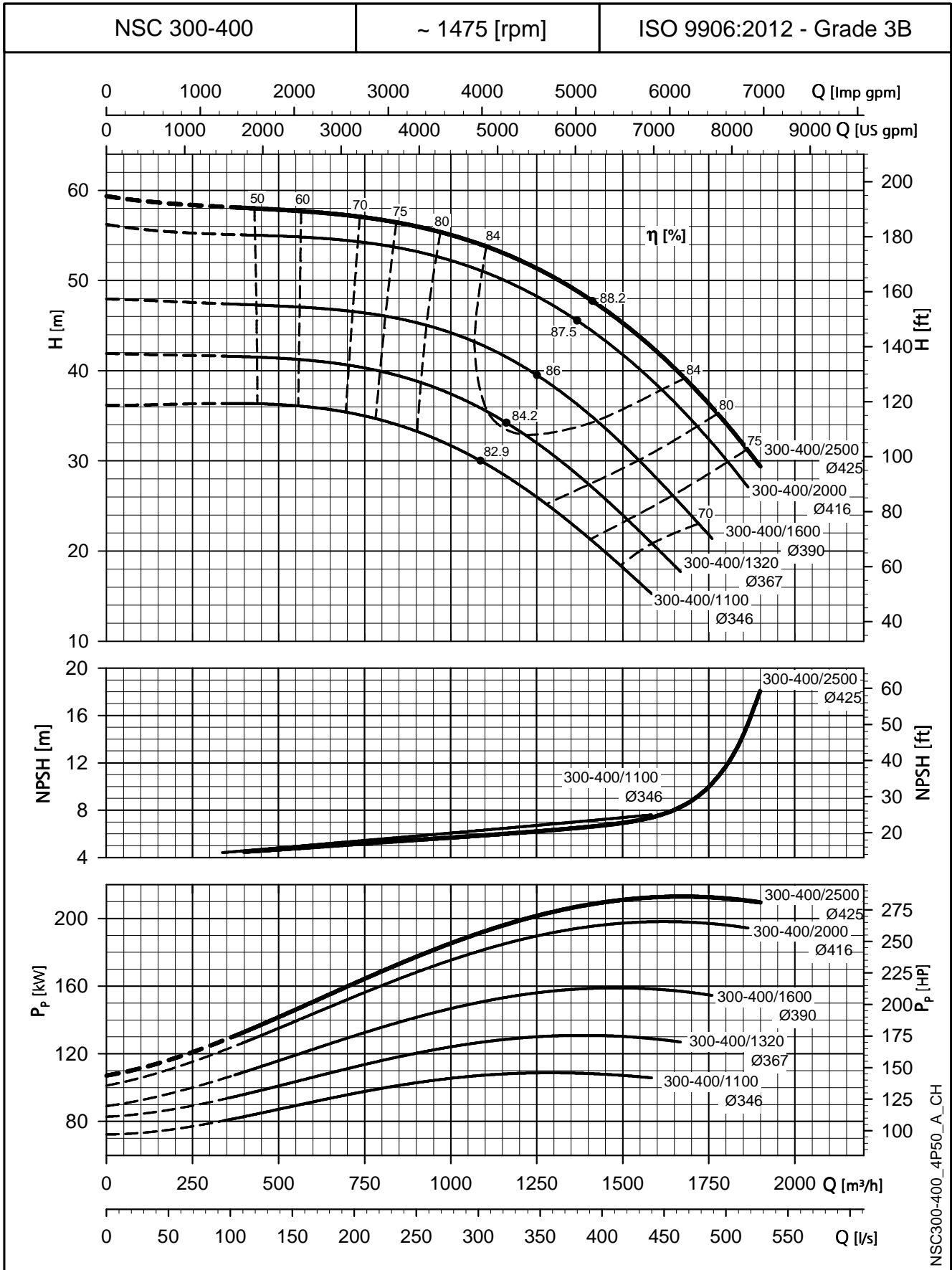


NSC300-350_4P50_A_CH

The NPSH values are laboratory values; for practical use we suggest increasing these values by 0,5 m.
 These performances are valid for liquids with density $\rho = 1,0 \text{ Kg/dm}^3$ and kinematic viscosity $\nu = 1 \text{ mm}^2/\text{sec}$.

e-NSC SERIES

OPERATING CHARACTERISTICS AT 50 Hz, 4 POLES

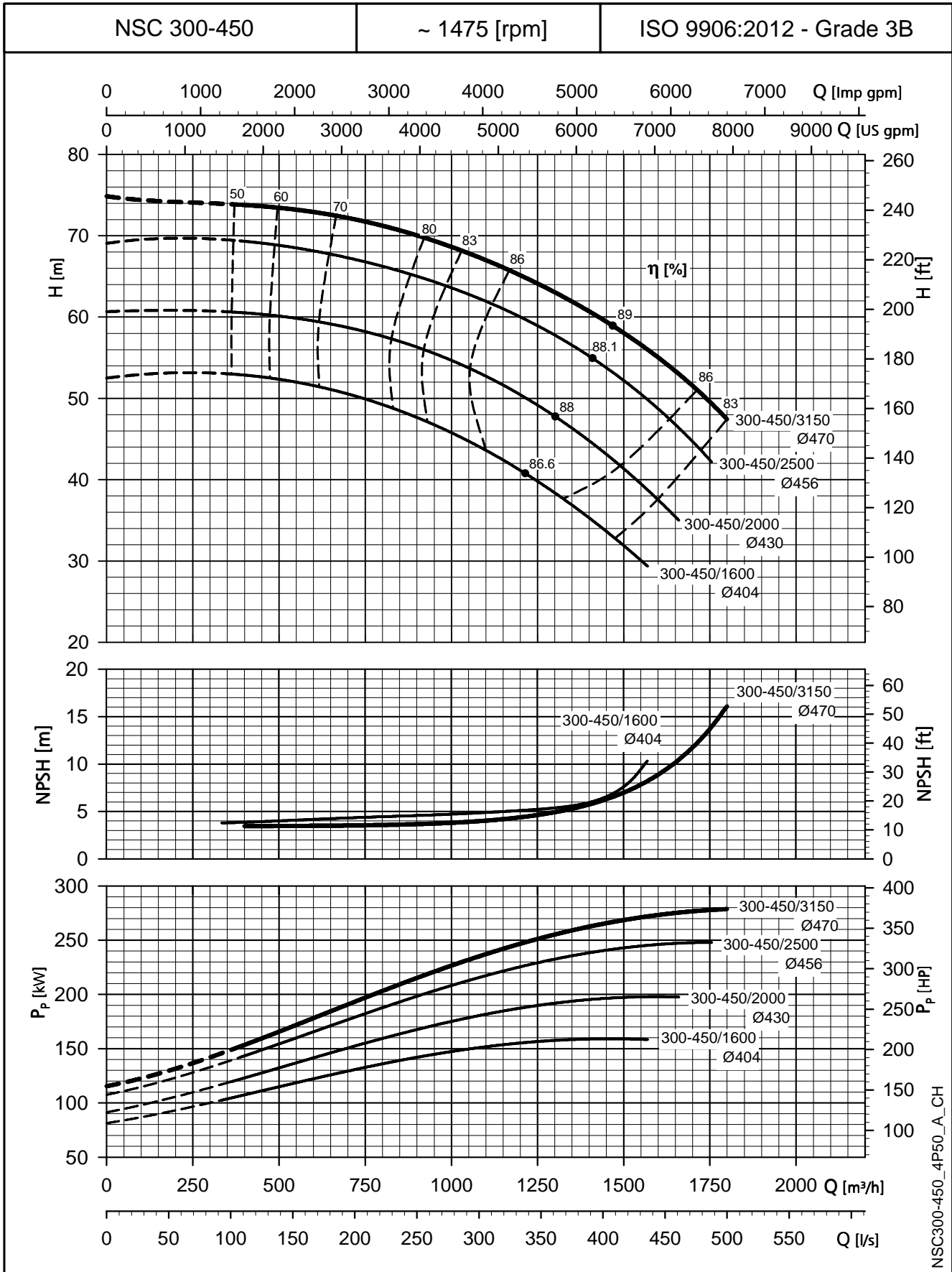


NSC300-400_4P50_A_CH

The NPSH values are laboratory values; for practical use we suggest increasing these values by 0,5 m.
 These performances are valid for liquids with density $\rho = 1,0 \text{ Kg/dm}^3$ and kinematic viscosity $\nu = 1 \text{ mm}^2/\text{sec}$.

e-NSC SERIES

OPERATING CHARACTERISTICS AT 50 Hz, 4 POLES

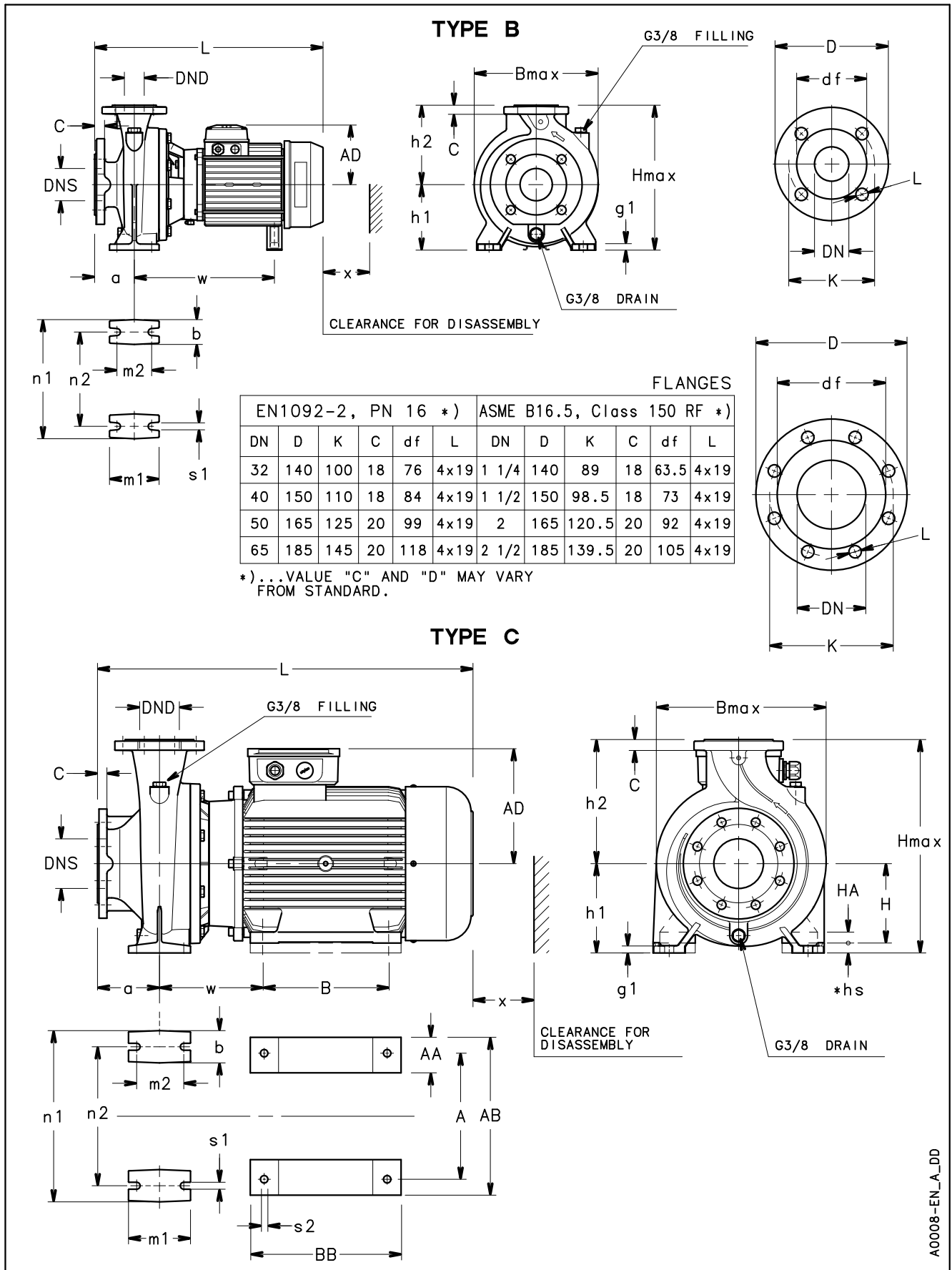


NSC300-450_4P50_A_CH

The NPSH values are laboratory values; for practical use we suggest increasing these values by 0,5 m.
 These performances are valid for liquids with density $\rho = 1,0 \text{ Kg/dm}^3$ and kinematic viscosity $\nu = 1 \text{ mm}^2/\text{sec}$.

DIMENSIONS AND WEIGHTS

NSCE 32, 40, 50 SERIES
DIMENSIONS AND WEIGHTS AT 50 Hz, 2 POLES



NSCE 32, 40, 50 SERIES DIMENSIONS AND WEIGHTS AT 50 Hz, 2 POLES

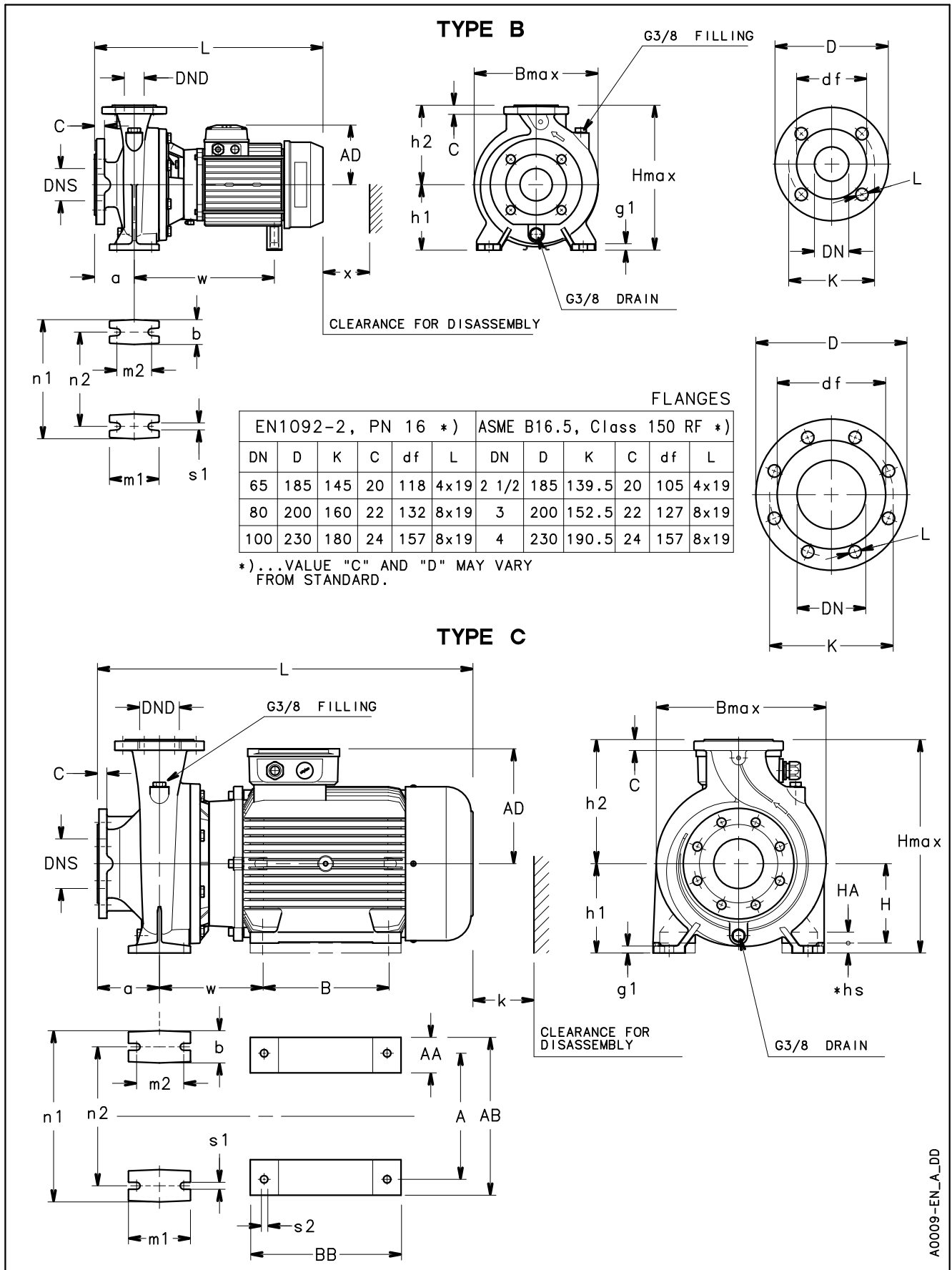
PUMP TYPE NSCE..2	TYPE	DIMENSIONS (mm)																							B max	H max	L	k	WEIGHT kg
		PUMP						PUMP STAND							MOTOR STAND														
		DNS	DND	a	h2	w	AD	b	g1	h1	m1	m2	n1	n2	s1	AA	HA	*hs	H	BB	B	AB	A	s2					
32-125/11/S	B	50	32	80	140	235	129	50	14	112	100	70	190	140	14	-	-	-	-	-	-	-	-	-	242	252	443	86	29
32-125/15/S	B	50	32	80	140	235	129	50	14	112	100	70	190	140	14	-	-	-	-	-	-	-	-	-	242	252	443	86	30
32-125/22/P	B	50	32	80	140	245	134	50	14	112	100	70	190	140	14	-	-	-	-	-	-	-	-	-	242	252	478	86	34
32-125/30/P	B	50	32	80	140	245	134	50	14	112	100	70	190	140	14	-	-	-	-	-	-	-	-	-	242	252	478	86	38
32-160/22/P	B	50	32	80	160	245	134	50	14	132	100	70	240	190	14	-	-	-	-	-	-	-	-	-	248	292	478	86	36
32-160/30/P	B	50	32	80	160	245	134	50	14	132	100	70	240	190	14	-	-	-	-	-	-	-	-	-	248	292	478	86	39
32-160/40/P	B	50	32	80	160	273	154	50	14	132	100	70	240	190	14	-	-	-	-	-	-	-	-	-	248	292	499	86	42
32-160/55/P	B	50	32	80	160	285	168	50	14	132	100	70	240	190	14	-	-	-	-	-	-	-	-	-	248	292	533	86	50
32-200/40/P	B	50	32	80	180	273	154	50	14	160	100	70	240	190	14	-	-	-	-	-	-	-	-	-	286	340	499	86	49
32-200/55/P	B	50	32	80	180	285	168	50	14	160	100	70	240	190	14	-	-	-	-	-	-	-	-	-	286	340	533	86	56
32-200/75/P	B	50	32	80	180	305	191	50	14	160	100	70	240	190	14	-	-	-	-	-	-	-	-	-	286	351	547	86	73
32-250/92/P	B	50	32	100	225	343	191	65	21	180	125	95	320	250	14	-	-	-	-	-	-	-	-	-	334	405	605	95	86
32-250/110/P	B	50	32	100	225	343	191	65	21	180	125	95	320	250	14	-	-	-	-	-	-	-	-	-	334	405	605	95	91
32-250/150/P	C	50	32	100	225	208	240	65	21	180	125	95	320	250	14	49	5	20	160	304	210	304	254	15	334	420	694	95	128
40-125/15/S	B	65	40	80	140	235	129	50	14	112	100	70	210	160	14	-	-	-	-	-	-	-	-	-	237	252	443	96	31
40-125/22/P	B	65	40	80	140	245	134	50	14	112	100	70	210	160	14	-	-	-	-	-	-	-	-	-	237	252	478	96	35
40-125/30/P	B	65	40	80	140	245	134	50	14	112	100	70	210	160	14	-	-	-	-	-	-	-	-	-	237	252	478	96	39
40-125/40/P	B	65	40	80	140	273	154	50	14	112	100	70	210	160	14	-	-	-	-	-	-	-	-	-	237	252	499	96	42
40-160/40/P	B	65	40	80	160	273	154	50	14	132	100	70	240	190	14	-	-	-	-	-	-	-	-	-	250	292	499	92	44
40-160/55/P	B	65	40	80	160	285	168	50	14	132	100	70	240	190	14	-	-	-	-	-	-	-	-	-	250	300	533	92	54
40-160/75/P	B	65	40	80	160	305	191	50	14	132	100	70	240	190	14	-	-	-	-	-	-	-	-	-	259	323	547	92	71
40-200/55/P	B	65	40	100	180	285	168	50	14	160	100	70	265	212	14	-	-	-	-	-	-	-	-	-	290	340	553	90	57
40-200/75/P	B	65	40	100	180	305	191	50	14	160	100	70	265	212	14	-	-	-	-	-	-	-	-	-	290	351	567	90	74
40-200/92/P	B	65	40	100	180	343	191	50	14	160	100	70	265	212	14	-	-	-	-	-	-	-	-	-	290	351	605	90	80
40-200/110/P	B	65	40	100	180	343	191	50	14	160	100	70	265	212	14	-	-	-	-	-	-	-	-	-	290	351	605	90	84
40-250/110/P	B	65	40	100	225	343	191	65	16	180	125	95	320	250	14	-	-	-	-	-	-	-	-	-	338	405	605	104	95
40-250/150/P	C	65	40	100	225	208	240	65	16	180	125	95	320	250	14	49	5	20	160	304	210	304	254	15	338	420	694	104	131
40-250/185/P	C	65	40	100	225	208	240	65	16	180	125	95	320	250	14	49	5	20	160	304	254	304	254	15	338	420	694	104	141
40-250/220/P	C	65	40	100	225	208	240	65	16	180	125	95	320	250	14	49	5	20	160	304	254	304	254	15	338	420	694	104	150
50-125/30/P	B	65	50	100	160	247	134	50	14	132	100	70	240	190	14	-	-	-	-	-	-	-	-	-	255	292	500	107	42
50-125/40/P	B	65	50	100	160	275	154	50	14	132	100	70	240	190	14	-	-	-	-	-	-	-	-	-	255	292	421	107	45
50-125/55/P	B	65	50	100	160	287	168	50	14	132	100	70	240	190	14	-	-	-	-	-	-	-	-	-	255	300	555	107	59
50-125/75/P	B	65	50	100	160	307	191	50	14	132	100	70	240	190	14	-	-	-	-	-	-	-	-	-	263	323	569	107	76
50-160/75/P	B	65	50	100	180	305	191	50	14	160	100	70	265	212	14	-	-	-	-	-	-	-	-	-	289	351	567	103	77
50-160/92/P	B	65	50	100	180	343	191	50	14	160	100	70	265	212	14	-	-	-	-	-	-	-	-	-	289	351	605	103	83
50-160/110/P	B	65	50	100	180	343	191	50	14	160	100	70	265	212	14	-	-	-	-	-	-	-	-	-	289	351	605	103	87
50-200/110/P	B	65	50	100	200	345	191	50	14	160	100	70	265	212	14	-	-	-	-	-	-	-	-	-	305	360	607	98	87
50-200/150/P	C	65	50	100	200	210	240	50	14	160	100	70	265	212	14	49	5	-	160	304	210	304	254	15	313	400	696	98	126
50-200/185/P	C	65	50	100	200	210	240	50	14	160	100	70	265	212	14	49	5	-	160	304	254	304	254	15	313	400	696	98	136
50-250/185/P	C	65	50	100	225	208	240	65	16	180	125	95	320	250	14	49	5	20	160	304	254	304	254	15	352	420	696	110	142
50-250/220/P	C	65	50	100	225	208	240	65	16	180	125	95	320	250	14	49	5	20	160	304	254	304	254	15	352	420	696	110	151

* Motor shim on request

nsce-32-40-50_2p50_en_a_td

NOTE: Pumps with flanges according to EN 1092-2 as standard; available ASME B16.5 version on request.

NSCE 65, 80 SERIES
DIMENSIONS AND WEIGHTS AT 50 Hz, 2 POLES



NSCE 65, 80 SERIES DIMENSIONS AND WEIGHTS AT 50 Hz, 2 POLES

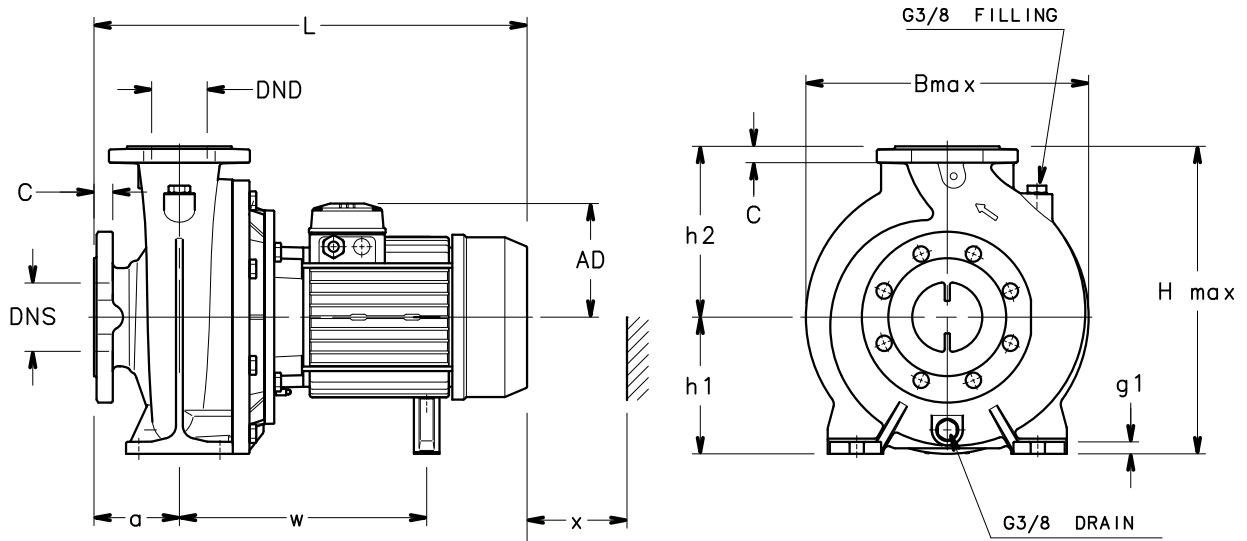
PUMP TYPE NSCE..2	TYPE	DIMENSIONS (mm)																						B max	H max	L	k	WEIGHT kg	
		PUMP						PUMP STAND						MOTOR STAND															
		DNS	DND	a	h2	w	AD	b	g1	h1	m1	m2	n1	n2	s1	AA	HA	*hs	H	BB	B	AB	A						s2
65-125/40/P	B	80	65	100	180	275	154	65	16	160	125	95	280	212	14	-	-	-	-	-	-	-	-	-	300	340	521	100	56
65-125/55/P	B	80	65	100	180	287	168	65	16	160	125	95	280	212	14	-	-	-	-	-	-	-	-	-	300	340	555	100	65
65-125/75/P	B	80	65	100	180	307	191	65	16	160	125	95	280	212	14	-	-	-	-	-	-	-	-	-	300	351	569	100	82
65-125/92/P	B	80	65	100	180	345	191	65	16	160	125	95	280	212	14	-	-	-	-	-	-	-	-	-	300	351	607	100	88
65-125/110/P	B	80	65	100	180	345	191	65	16	160	125	95	280	212	14	-	-	-	-	-	-	-	-	-	300	351	607	100	92
65-160/92/P	B	80	65	100	200	343	191	65	16	160	125	95	280	212	14	-	-	-	-	-	-	-	-	-	335	360	605	108	91
65-160/110/P	B	80	65	100	200	343	191	65	16	160	125	95	280	212	14	-	-	-	-	-	-	-	-	-	335	360	605	108	96
65-160/150/P	C	80	65	100	200	208	240	65	16	160	125	95	280	212	14	49	5	-	160	304	210	304	254	15	335	400	694	108	133
65-160/185/P	C	80	65	100	200	208	240	65	16	160	125	95	280	212	14	49	5	-	160	304	254	304	254	15	335	400	694	108	143
65-200/110/P	B	80	65	100	225	343	191	65	16	180	125	95	320	250	14	-	-	-	-	-	-	-	-	-	348	405	605	118	101
65-200/150/P	C	80	65	100	225	208	240	65	16	180	125	95	320	250	14	49	5	20	160	304	210	304	254	15	348	420	694	118	138
65-200/185/P	C	80	65	100	225	208	240	65	16	180	125	95	320	250	14	49	5	20	160	304	254	304	254	15	348	420	694	118	148
65-200/220/P	C	80	65	100	225	208	240	65	16	180	125	95	320	250	14	49	5	20	160	304	254	304	254	15	348	420	694	118	157
80-160/110/P	B	100	80	125	225	343	191	65	16	180	125	95	320	250	14	-	-	-	-	-	-	-	-	-	340	405	630	122	110
80-160/150/P	C	100	80	125	225	208	240	65	16	180	125	95	320	250	14	49	5	20	160	304	210	304	254	15	340	420	719	122	147
80-160/185/P	C	100	80	125	225	208	240	65	16	180	125	95	320	250	14	49	5	20	160	304	254	304	254	15	340	420	719	122	157
80-160/220/P	C	100	80	125	225	208	240	65	16	180	125	95	320	250	14	49	5	20	160	304	254	304	254	15	340	420	719	122	166

* Motor shim on request

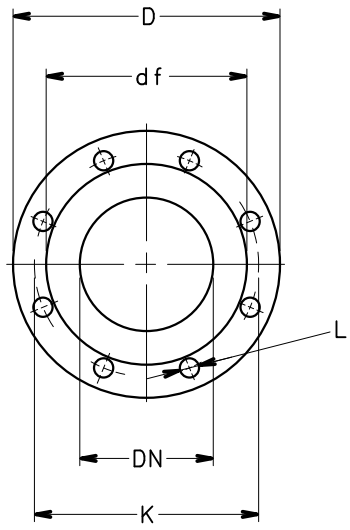
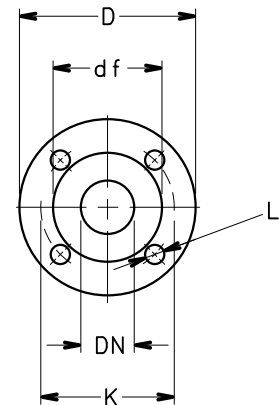
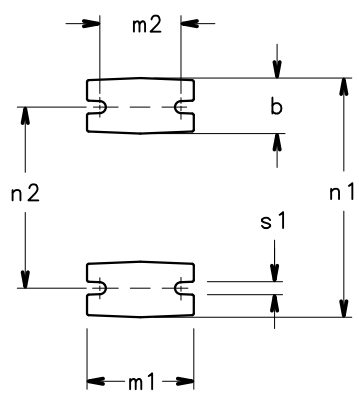
nsce-65-80_2p50_en_a_ld

NOTE: Pumps with flanges according to EN 1092-2 as standard; available ASME B16.5 version on request.

**NSCE 32, 40, 50 SERIES
DIMENSIONS AND WEIGHTS AT 50 Hz, 4 POLES**



CLEARANCE FOR DISASSEMBLY



FLANGES

EN1092-2, PN 16 *)						ASME B16.5, Class 150 RF *)					
DN	D	K	C	df	L	DN	D	K	C	df	L
32	140	100	18	76	4x19	1 1/4	140	89	18	63.5	4x19
40	150	110	18	84	4x19	1 1/2	150	98.5	18	73	4x19
50	165	125	20	99	4x19	2	165	120.5	20	92	4x19
65	185	145	20	118	4x19	2 1/2	185	139.5	20	105	4x19

*)...VALUE "C" AND "D" MAY VARY FROM STANDARD.

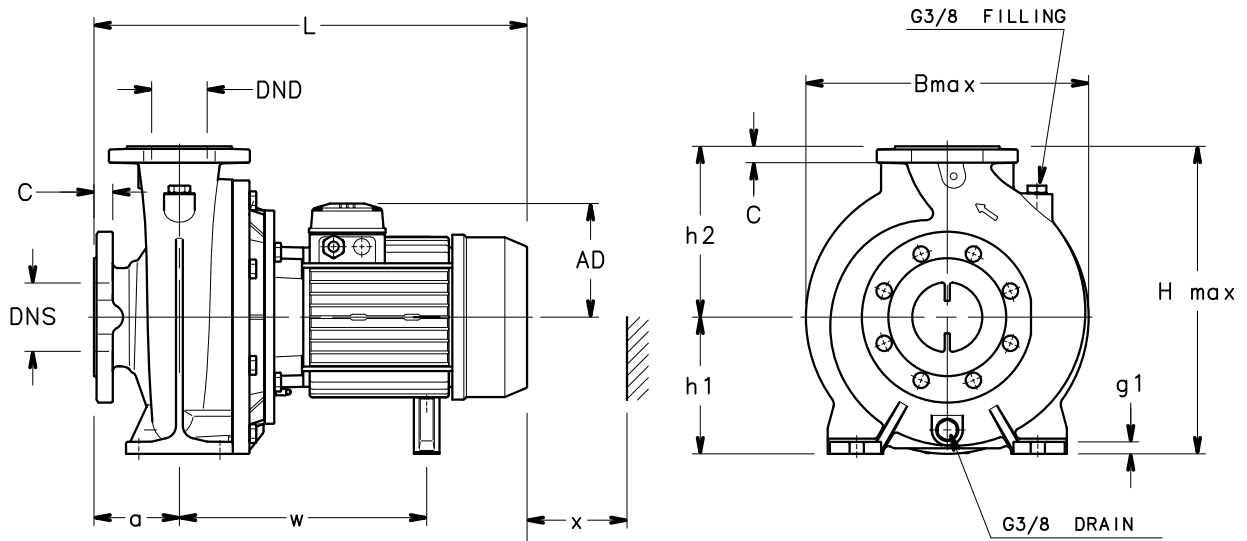
NSCE 32, 40, 50 SERIES DIMENSIONS AND WEIGHTS AT 50 Hz, 4 POLES

PUMP TYPE NSCE..4	DIMENSIONS (mm)																		WEIGHT kg			
	PUMP											STAND						B max		H max	L	x
	DNS	DND	a	h2	w	AD	b	g1	h1	m1	m2	n1	n2	s1								
32-125/02B/S	50	32	80	140	215	121	50	14	112	100	70	190	140	14	242	252	411	86	25			
32-125/02A/S	50	32	80	140	215	121	50	14	112	100	70	190	140	14	242	252	411	86	25			
32-125/02/S	50	32	80	140	215	121	50	14	112	100	70	190	140	14	242	252	411	86	25			
32-125/03/S	50	32	80	140	215	121	50	14	112	100	70	190	140	14	242	252	411	86	25			
32-160/02/S	50	32	80	160	215	121	50	14	132	100	70	240	190	14	248	292	411	86	26			
32-160/03/S	50	32	80	160	215	121	50	14	132	100	70	240	190	14	248	292	411	86	26			
32-160/05A/S	50	32	80	160	235	129	50	14	132	100	70	240	190	14	248	292	443	86	28			
32-160/05/S	50	32	80	160	235	129	50	14	132	100	70	240	190	14	248	292	443	86	28			
32-200/05/S	50	32	80	180	235	129	50	14	160	100	70	240	190	14	286	340	443	86	35			
32-200/07/X	50	32	80	180	-	128	50	14	160	100	70	240	190	14	286	340	411	86	36			
32-200/11/P	50	32	80	180	245	134	50	14	160	100	70	240	190	14	286	340	478	86	42			
32-250/15A/P	50	32	100	225	245	134	65	21	180	125	95	320	250	14	334	405	498	95	51			
32-250/15/P	50	32	100	225	245	134	65	21	180	125	95	320	250	14	334	405	498	95	51			
32-250/22/P	50	32	100	225	285	168	65	21	180	125	95	320	250	14	334	405	522	95	61			
40-125/02A/S	65	40	80	140	215	121	50	14	112	100	70	210	160	14	237	252	411	96	26			
40-125/02/S	65	40	80	140	215	121	50	14	112	100	70	210	160	14	237	252	411	96	26			
40-125/03/S	65	40	80	140	215	121	50	14	112	100	70	210	160	14	237	252	411	96	26			
40-125/05/S	65	40	80	140	235	129	50	14	112	100	70	210	160	14	237	252	443	96	28			
40-160/05/S	65	40	80	160	235	129	50	14	132	100	70	240	190	14	250	292	443	92	30			
40-160/07/X	65	40	80	160	-	128	50	14	132	100	70	240	190	14	250	292	411	92	34			
40-160/11/P	65	40	80	160	245	134	50	14	132	100	70	240	190	14	250	292	478	92	40			
40-200/07/X	65	40	100	180	-	128	50	14	160	100	70	265	212	14	290	340	431	90	36			
40-200/11/P	65	40	100	180	245	134	50	14	160	100	70	265	212	14	290	340	498	90	42			
40-200/15A/P	65	40	100	180	245	134	50	14	160	100	70	265	212	14	290	340	498	90	42			
40-200/15/P	65	40	100	180	245	134	50	14	160	100	70	265	212	14	290	340	498	90	45			
40-250/15/P	65	40	100	225	245	134	65	16	180	125	95	320	250	14	338	405	498	104	54			
40-250/22A/P	65	40	100	225	285	168	65	16	180	125	95	320	250	14	338	405	522	104	64			
40-250/22/P	65	40	100	225	285	168	65	16	180	125	95	320	250	14	338	405	522	104	64			
40-250/30/P	65	40	100	225	285	168	65	16	180	125	95	320	250	14	338	405	553	104	68			
50-125/03/S	65	50	100	160	217	121	50	14	132	100	70	240	190	14	255	292	433	107	29			
50-125/05/S	65	50	100	160	237	129	50	14	132	100	70	240	190	14	255	292	465	107	31			
50-125/07/X	65	50	100	160	-	128	50	14	132	100	70	240	190	14	255	292	433	107	35			
50-125/11/P	65	50	100	160	247	134	50	14	132	100	70	240	190	14	255	292	500	107	41			
50-160/11A/P	65	50	100	180	245	134	50	14	160	100	70	265	212	14	289	340	498	103	45			
50-160/11/P	65	50	100	180	245	134	50	14	160	100	70	265	212	14	289	340	498	103	45			
50-160/15/P	65	50	100	180	245	134	50	14	160	100	70	265	212	14	289	340	498	103	48			
50-200/15/P	65	50	100	200	247	134	50	14	160	100	70	265	212	14	305	360	500	98	48			
50-200/22A/P	65	50	100	200	287	168	50	14	160	100	70	265	212	14	305	360	524	98	58			
50-200/22/P	65	50	100	200	287	168	50	14	160	100	70	265	212	14	305	360	524	98	58			
50-250/22/P	65	50	100	225	285	168	65	16	180	125	95	320	250	14	352	405	522	110	65			
50-250/30/P	65	50	100	225	285	168	65	16	180	125	95	320	250	14	352	405	553	110	69			
50-250/40/P	65	50	100	225	315	168	65	16	180	125	95	320	250	14	352	405	598	110	88			

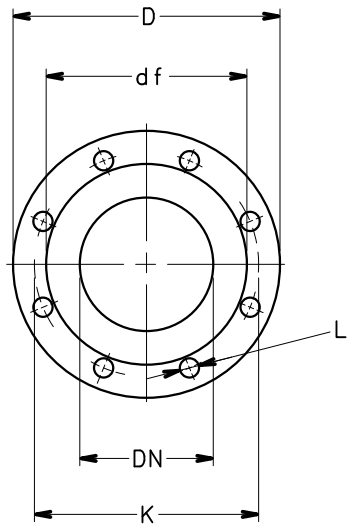
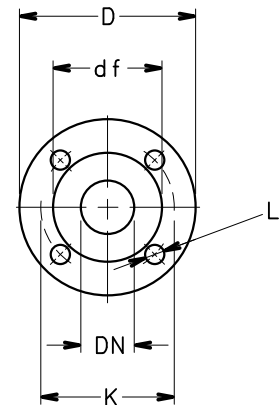
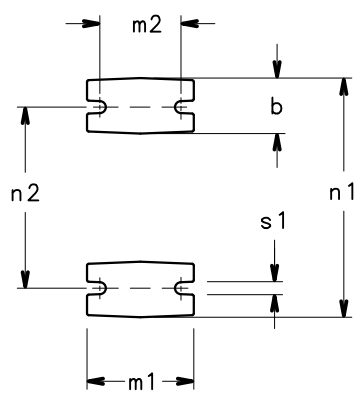
NOTE: Pumps with flanges according to EN 1092-2 as standard; available ASME B16.5 version on request.

nsce-32-40-50-4p50-en_a_td

NSCE 65, 80 SERIES
DIMENSIONS AND WEIGHTS AT 50 Hz, 4 POLES



CLEARANCE FOR DISASSEMBLY



FLANGES

EN1092-2, PN 16 *)						ASME B16.5, Class 150 RF *)					
DN	D	K	C	df	L	DN	D	K	C	df	L
65	185	145	20	118	4x19	2 1/2	185	139.5	20	105	4x19
80	200	160	22	132	8x19	3	200	152.5	22	127	8x19
100	230	180	24	157	8x19	4	230	190.5	24	157	8x19

*)...VALUE "C" AND "D" MAY VARY FROM STANDARD.

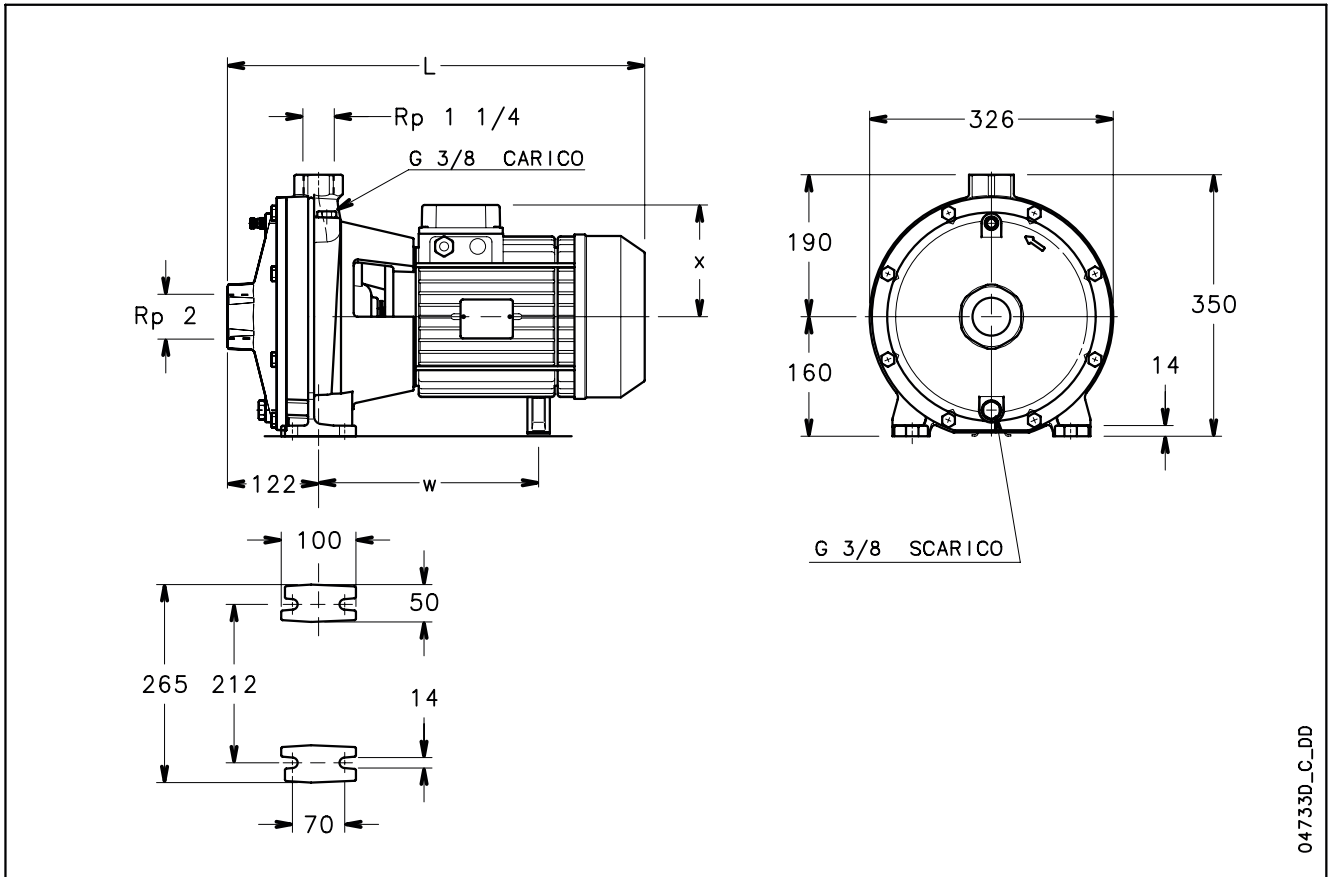
NSCE 65, 80 SERIES DIMENSIONS AND WEIGHTS AT 50 Hz, 4 POLES

PUMP TYPE NSCE..4	DIMENSIONS (mm)															WEIGHT kg			
	DNS	DND	PUMP TYPE			STAND									B max		H max	L	x
			a	h2	w	AD	b	g1	h1	m1	m2	n1	n2	s1					
65-125/05/S	80	65	100	180	237	139	65	16	160	125	95	280	212	14	300	340	465	100	40
65-125/07/X	80	65	100	180	-	128	65	16	160	125	95	280	212	14	300	340	433	100	44
65-125/11/P	80	65	100	180	247	134	65	16	160	125	95	280	212	14	300	340	500	100	50
65-125/15/P	80	65	100	180	247	134	65	16	160	125	95	280	212	14	300	340	500	100	53
65-160/15A/P	80	65	100	200	245	134	65	16	160	125	95	280	212	14	335	360	498	108	55
65-160/15/P	80	65	100	200	245	134	65	16	160	125	95	280	212	14	335	360	498	108	55
65-160/22A/P	80	65	100	200	285	168	65	16	160	125	95	280	212	14	335	360	522	108	65
65-160/22/P	80	65	100	200	285	168	65	16	160	125	95	280	212	14	335	360	522	108	65
65-200/15/P	80	65	100	225	245	134	65	16	180	125	95	320	250	14	348	405	498	118	58
65-200/22A/P	80	65	100	225	285	168	65	16	180	125	95	320	250	14	348	405	522	118	68
65-200/22/P	80	65	100	225	285	168	65	16	180	125	95	320	250	14	348	405	522	118	68
65-200/30/P	80	65	100	225	285	168	65	16	180	125	95	320	250	14	348	405	553	118	71
65-200/40/P	80	65	100	225	315	168	65	16	180	125	95	320	250	14	348	405	598	118	90
80-160/15/P	100	80	125	225	245	134	65	16	180	125	95	320	250	14	340	405	498	122	65
80-160/22A/P	100	80	125	225	285	168	65	16	180	125	95	320	250	14	340	405	522	122	75
80-160/22/P	100	80	125	225	285	168	65	16	180	125	95	320	250	14	340	405	522	122	75
80-160/30/P	100	80	125	225	285	168	65	16	180	125	95	320	250	14	340	405	553	122	78

NOTE: Pumps with flanges according to EN 1092-2 as standard; available ASME B16.5 version on request.

nsce-65-80-4p50-en_a_td

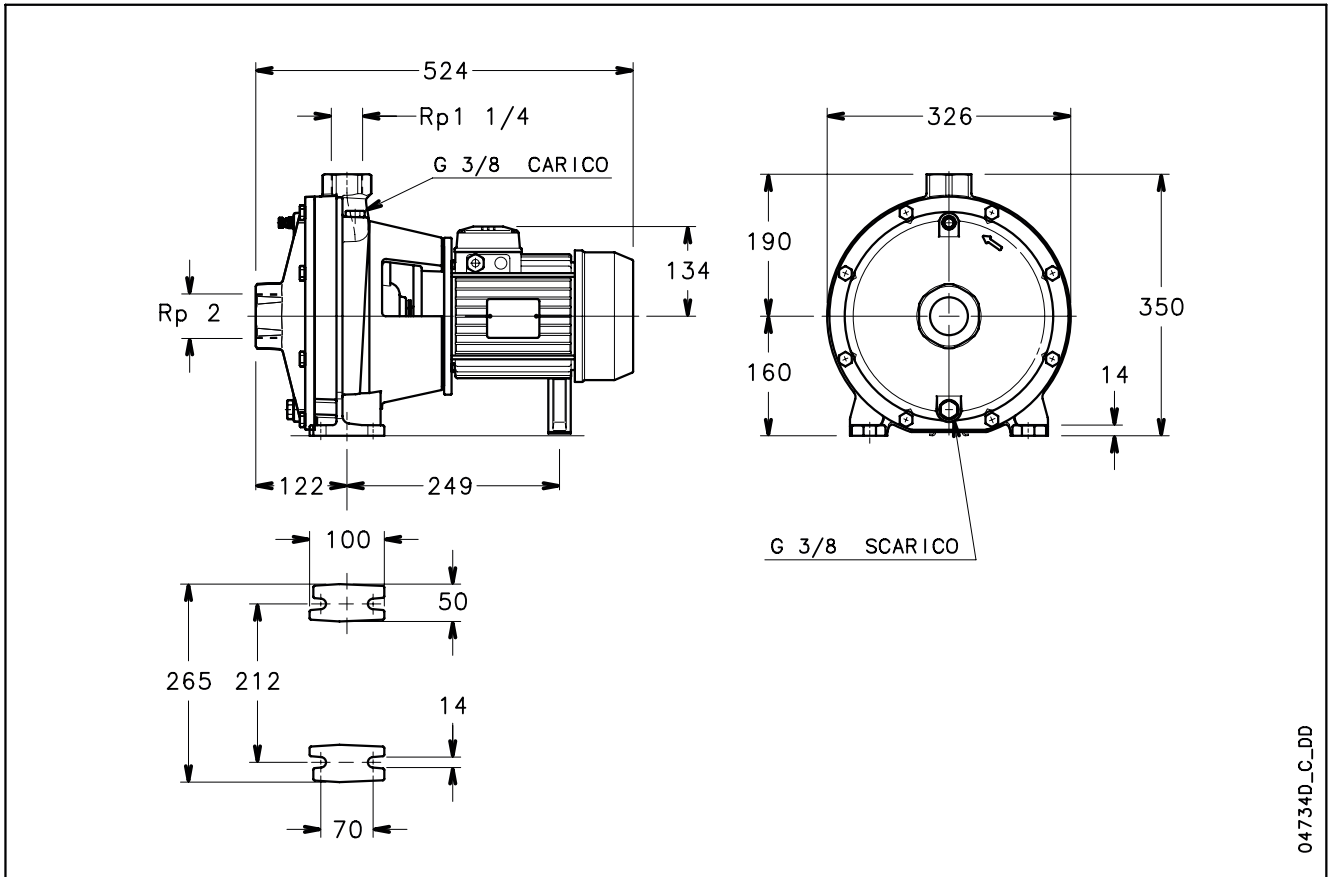
**2FHE SERIES
DIMENSIONS AND WEIGHTS AT 50 Hz, 2 POLES**



PUMP TYPE	DIMENSIONS (mm)			WEIGHT
	L	w	x	kg
2FHE 32-250/55/D	572	282	168	74
2FHE 32-250/75/D	607	323	191	90

2fhe-2p50-en_d_td

**2FHE4 SERIES
DIMENSIONS AND WEIGHTS AT 50 Hz, 4 POLES**

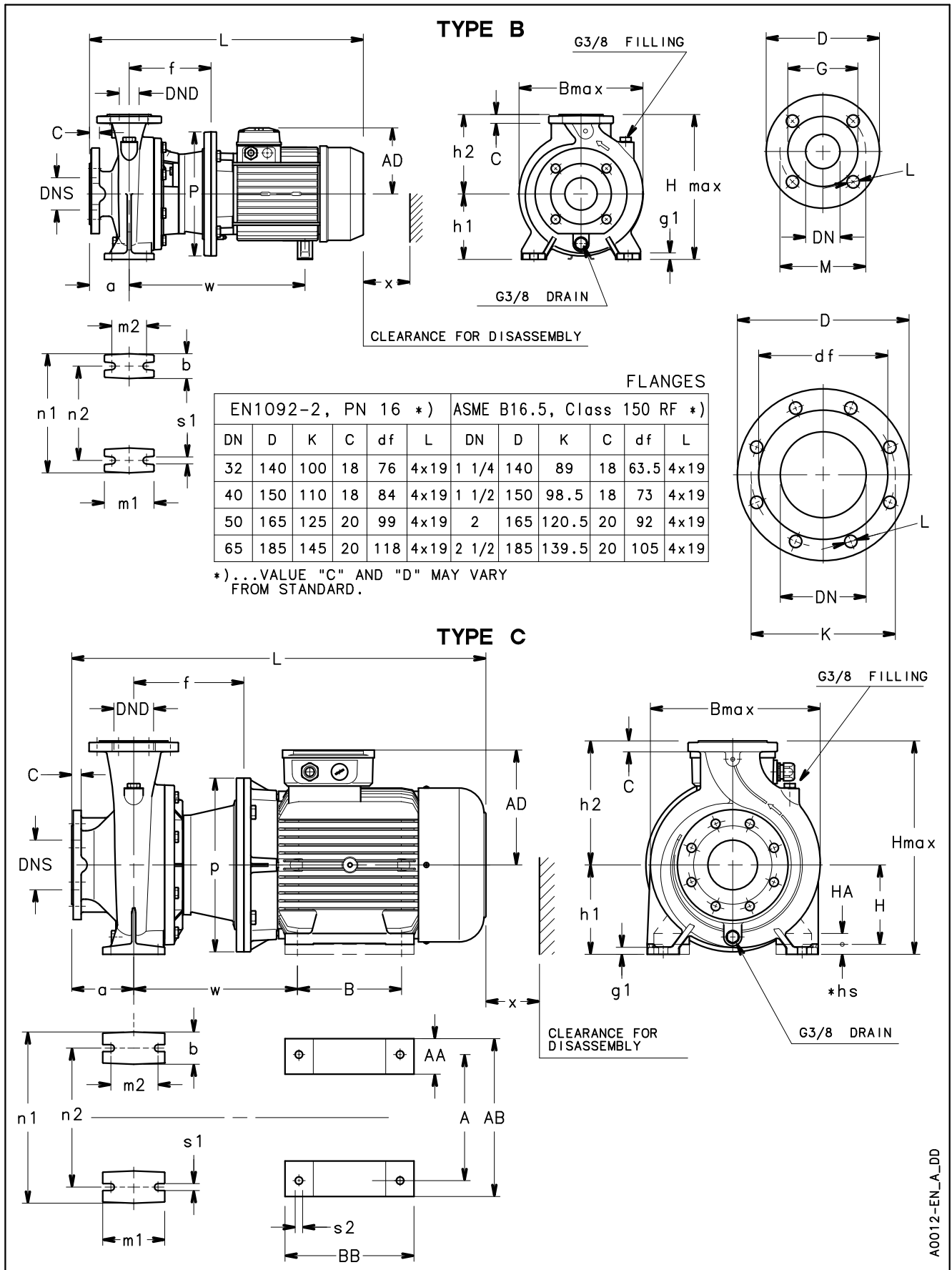


04734D_C_DD

PUMP TYPE	WEIGHT kg
2FHE4 32-250/07/D	53
2FHE4 32-250/11/D	55

2fhe4-4p50-en_d_td

NSCS 32, 40, 50 SERIES
DIMENSIONS AND WEIGHTS AT 50 Hz, 2 POLES



A0012-EN_A_DD

NSCS 32, 40, 50 SERIES DIMENSIONS AND WEIGHTS AT 50 Hz, 2 POLES

PUMP TYPE NSCS..2	TYPE	DIMENSIONS (mm)																												WEIGHT kg	
		PUMP										PUMP STAND										MOTOR STAND									
		DNS	DND	a	f	h2	w	AD	P	b	g1	h1	m1	m2	n1	n2	s1	AA	HA	*hs	H	BB	B	AB	A	s2	B max	H max	L		x
32-125/11/S	B	50	32	80	155	140	290	129	200	50	14	112	100	70	190	140	14	-	-	-	-	-	-	-	-	-	242	252	498	86	33
32-125/15/S	B	50	32	80	155	140	290	129	200	50	14	112	100	70	190	140	14	-	-	-	-	-	-	-	-	-	242	252	498	86	34
32-125/22/P	B	50	32	80	155	140	300	134	200	50	14	112	100	70	190	140	14	-	-	-	-	-	-	-	-	-	242	252	533	86	38
32-125/30/P	B	50	32	80	165	140	310	134	250	50	14	112	100	70	190	140	14	-	-	-	-	-	-	-	-	-	250	265	543	86	43
32-160/22/P	B	50	32	80	155	160	300	134	200	50	14	132	100	70	240	190	14	-	-	-	-	-	-	-	-	-	248	292	533	86	40
32-160/30/P	B	50	32	80	165	160	310	134	250	50	14	132	100	70	240	190	14	-	-	-	-	-	-	-	-	-	250	292	543	86	44
32-160/40/P	B	50	32	80	165	160	338	154	250	50	14	132	100	70	240	190	14	-	-	-	-	-	-	-	-	-	250	292	564	86	47
32-160/55/P	B	50	32	80	192	160	399	168	300	50	14	132	100	70	240	190	14	-	-	-	-	-	-	-	-	-	300	318	647	86	56
32-200/40/P	B	50	32	80	165	180	338	154	250	50	14	160	100	70	240	190	14	-	-	-	-	-	-	-	-	-	286	340	564	86	54
32-200/55/P	B	50	32	80	192	180	399	168	300	50	14	160	100	70	240	190	14	-	-	-	-	-	-	-	-	-	300	340	647	86	63
32-200/75/P	B	50	32	80	192	180	397	191	300	50	14	160	100	70	240	190	14	-	-	-	-	-	-	-	-	-	300	351	639	86	80
32-250/110A/P	B	50	32	100	222	225	343	191	350	65	21	180	125	95	320	250	14	-	-	-	-	-	-	-	-	-	334	405	605	95	86
32-250/110/P	B	50	32	100	222	225	343	191	350	65	21	180	125	95	320	250	14	-	-	-	-	-	-	-	-	-	334	405	605	95	91
32-250/150/P	C	50	32	100	222	225	208	240	350	65	21	180	125	95	320	250	14	49	5	20	160	304	210	304	254	15	334	420	694	95	128
40-125/15/S	B	65	40	80	155	140	290	129	200	50	14	112	100	70	210	160	14	-	-	-	-	-	-	-	-	-	237	252	498	96	35
40-125/22/P	B	65	40	80	155	140	300	134	200	50	14	112	100	70	210	160	14	-	-	-	-	-	-	-	-	-	237	252	533	96	39
40-125/30/P	B	65	40	80	165	140	310	134	250	50	14	112	100	70	210	160	14	-	-	-	-	-	-	-	-	-	250	265	543	96	44
40-125/40/P	B	65	40	80	165	140	338	154	250	50	14	112	100	70	210	160	14	-	-	-	-	-	-	-	-	-	250	265	564	96	47
40-160/40/P	B	65	40	80	165	160	338	154	250	50	14	132	100	70	240	190	14	-	-	-	-	-	-	-	-	-	250	292	564	92	49
40-160/55/P	B	65	40	80	192	160	399	168	300	50	14	132	100	70	240	190	14	-	-	-	-	-	-	-	-	-	300	318	647	92	60
40-160/75/P	B	65	40	80	192	160	397	191	300	50	14	132	100	70	240	190	14	-	-	-	-	-	-	-	-	-	300	341	639	92	77
40-200/55/P	B	65	40	100	192	180	399	168	300	50	14	160	100	70	265	212	14	-	-	-	-	-	-	-	-	-	300	340	667	90	64
40-200/75/P	B	65	40	100	192	180	397	191	300	50	14	160	100	70	265	212	14	-	-	-	-	-	-	-	-	-	300	351	659	90	81
40-200/110A/P	C	65	40	100	222	180	330	240	350	50	14	160	100	70	265	212	14	49	5	20	160	304	210	304	254	15	350	420	816	90	115
40-200/110/P	C	65	40	100	222	180	330	240	350	50	14	160	100	70	265	212	14	49	5	20	160	304	210	304	254	15	350	420	816	90	119
40-250/110/P	C	65	40	100	222	225	330	240	350	65	16	180	125	95	320	250	14	49	5	20	160	304	210	304	254	15	350	420	816	104	130
40-250/150/P	C	65	40	100	222	225	330	240	350	65	16	180	125	95	320	250	14	49	5	20	160	304	210	304	254	15	350	420	816	104	144
40-250/185/P	C	65	40	100	222	225	330	240	350	65	16	180	125	95	320	250	14	49	5	20	160	304	254	304	254	15	350	420	816	104	154
40-250/220/P	C	65	40	100	222	225	330	240	350	65	16	180	125	95	320	250	14	49	5	20	160	304	254	304	254	15	350	420	816	104	155
50-125/30/P	B	65	50	100	167	160	312	134	250	50	14	132	100	70	240	190	14	-	-	-	-	-	-	-	-	-	255	292	565	107	47
50-125/40/P	B	65	50	100	167	160	340	154	250	50	14	132	100	70	240	190	14	-	-	-	-	-	-	-	-	-	255	292	586	107	50
50-125/55/P	B	65	50	100	194	160	401	168	300	50	14	132	100	70	240	190	14	-	-	-	-	-	-	-	-	-	300	318	669	107	65
50-125/75/P	B	65	50	100	194	160	399	191	300	50	14	132	100	70	240	190	14	-	-	-	-	-	-	-	-	-	300	341	661	107	82
50-160/75/P	B	65	50	100	192	180	397	191	300	50	14	160	100	70	265	212	14	-	-	-	-	-	-	-	-	-	300	351	659	103	84
50-160/110A/P	C	65	50	100	222	180	330	240	350	50	14	160	100	70	265	212	14	49	5	20	160	304	210	304	254	15	350	420	816	103	118
50-160/110/P	C	65	50	100	222	180	330	240	350	50	14	160	100	70	265	212	14	49	5	20	160	304	210	304	254	15	350	420	816	103	122
50-200/110/P	C	65	50	100	224	200	332	240	350	50	14	160	100	70	265	212	14	49	5	20	160	304	210	304	254	15	350	380	818	98	122
50-200/150/P	C	65	50	100	224	200	332	240	350	50	14	160	100	70	265	212	14	49	5	20	160	304	210	304	254	15	350	420	818	98	139
50-200/185/P	C	65	50	100	224	200	332	240	350	50	14	160	100	70	265	212	14	49	5	20	160	304	254	304	254	15	350	420	818	98	149
50-250/185/P	C	65	50	100	222	225	330	240	350	65	16	180	125	95	320	250	14	49	5	20	160	304	254	304	254	15	352	420	816	110	155
50-250/220/P	C	65	50	100	222	225	330	240	350	65	16	180	125	95	320	250	14	49	5	20	160	304	254	304	254	15	352	420	816	110	166
50-250/300/W	C	65	50	100	228	225	361	317	400	65	16	180	125	95	320	250	14	82	30	-	200	370	305	385	318	18	402	517	985	110	260

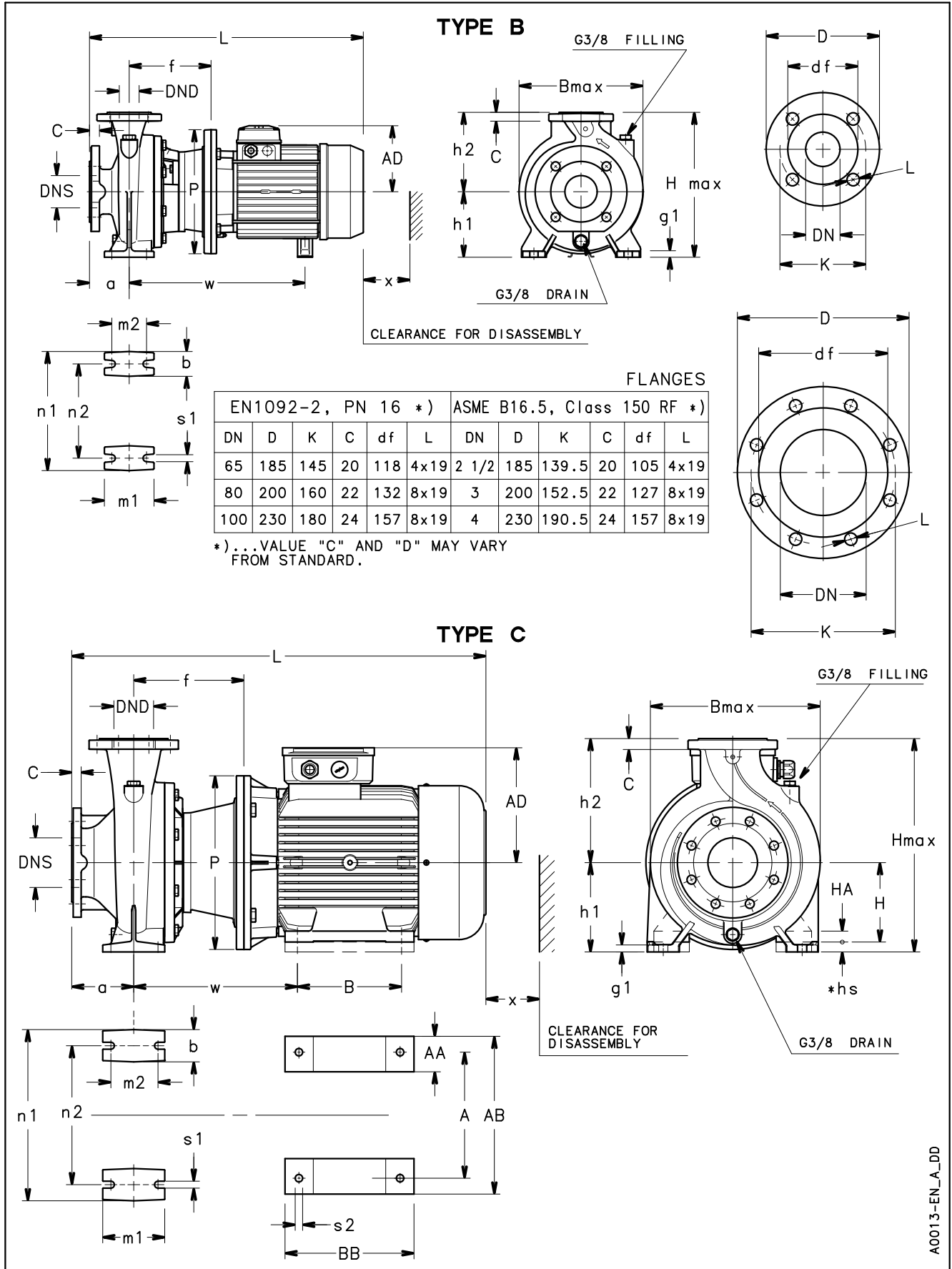
* Motor shim on request

nscs-32-40-50_2p50_en_a_td

NOTE: Pumps with flanges according to EN 1092-2 as standard; available ASME B16.5 version on request.

NOTE: for models NSCS 50-315 consult the following pages.

NSCS 65, 80 SERIES
DIMENSIONS AND WEIGHTS AT 50 Hz, 2 POLES



A0013-EN_A_DD

NSCS 65, 80 SERIES DIMENSIONS AND WEIGHTS AT 50 Hz, 2 POLES

PUMP TYPE NSCS..2	TYPE	DIMENSIONS (mm)																												WEIGHT kg	
		PUMP							PUMP STAND							MOTOR STAND								B max	H max	L	x				
		DNS	DND	a	f	h2	w	AD	P	b	g1	h1	m1	m2	n1	n2	s1	AA	HA	*hs	H	BB	B					AB	A		s2
65-125/40/P	B	80	65	100	167	180	340	154	250	65	16	160	125	95	280	212	14	-	-	-	-	-	-	-	-	-	300	340	586	100	62
65-125/55/P	B	80	65	100	194	180	401	168	300	65	16	160	125	95	280	212	14	-	-	-	-	-	-	-	-	-	300	340	669	100	72
65-125/75/P	B	80	65	100	194	180	401	191	300	65	16	160	125	95	280	212	14	-	-	-	-	-	-	-	-	-	300	351	661	100	90
65-125/110A/P	C	80	65	100	224	180	332	240	350	65	16	160	125	95	280	212	14	49	5	20	160	304	210	304	254	15	350	420	818	100	95
65-125/110/P	C	80	65	100	224	180	332	240	350	65	16	160	125	95	280	212	14	49	5	20	160	304	210	304	254	15	350	420	818	100	99
65-160/110A/P	C	80	65	100	222	200	330	240	350	65	16	160	125	95	280	212	14	49	5	20	160	304	210	304	254	15	350	420	816	108	126
65-160/110/P	C	80	65	100	222	200	330	240	350	65	16	160	125	95	280	212	14	49	5	20	160	304	210	304	254	15	350	420	816	108	131
65-160/150/P	C	80	65	100	222	200	330	240	350	65	16	160	125	95	280	212	14	49	5	20	160	304	210	304	254	15	350	420	816	108	146
65-160/185/P	C	80	65	100	222	200	330	240	350	65	16	160	125	95	280	212	14	49	5	20	160	304	254	304	254	15	350	420	816	108	155
65-200/110/P	C	80	65	100	222	225	330	191	350	65	16	180	125	95	320	250	14	49	5	20	160	304	210	304	254	15	350	405	816	118	136
65-200/150/P	C	80	65	100	222	225	330	240	350	65	16	180	125	95	320	250	14	49	5	20	160	304	210	304	254	15	350	420	816	118	151
65-200/185/P	C	80	65	100	222	225	330	240	350	65	16	180	125	95	320	250	14	49	5	20	160	304	254	304	254	15	350	420	816	118	161
65-200/220/P	C	80	65	100	222	225	330	240	350	65	16	180	125	95	320	250	14	49	5	20	160	304	254	304	254	15	350	420	816	118	172
65-200/300/W	C	80	65	100	228	225	361	317	400	65	16	180	125	95	320	250	14	82	30	-	200	370	305	385	318	18	400	517	985	118	290
65-250/300/W	C	80	65	100	246	250	379	317	400	80	21	200	160	120	360	280	20	82	30	-	200	370	305	385	318	18	402	517	1003	130	275
65-250/370/W	C	80	65	100	246	250	379	317	400	80	21	200	160	120	360	280	20	82	30	-	200	370	305	385	318	18	402	517	1003	130	290
65-250/450/W	C	80	65	100	246	250	395	384	450	80	21	200	160	120	360	280	20	80	34	-	225	412	311	436	356	18	455	609	1092	130	435
65-250/550/W	C	80	65	100	276	250	444	402	550	80	21	200	160	120	360	280	20	100	43	30	250	467	349	506	406	24	550	682	1201	130	520
80-160/110/P	C	100	80	125	222	225	330	191	350	65	16	180	125	95	320	250	14	49	5	20	160	304	210	304	254	15	350	405	841	122	145
80-160/150/P	C	100	80	125	222	225	330	240	350	65	16	180	125	95	320	250	14	49	5	20	160	304	210	304	254	15	350	420	841	122	160
80-160/185/P	C	100	80	125	222	225	330	240	350	65	16	180	125	95	320	250	14	49	5	20	160	304	254	304	254	15	350	420	841	122	170
80-160/220/P	C	100	80	125	222	225	330	240	350	65	16	180	125	95	320	250	14	49	5	20	160	304	254	304	254	15	350	420	841	122	181
80-200/220/P	C	100	80	125	240	250	348	240	350	65	16	180	125	95	345	280	14	49	5	20	160	304	254	304	254	15	358	430	865	151	180
80-200/300/W	C	100	80	125	246	250	379	317	400	65	16	180	125	95	345	280	14	82	30	-	200	370	305	385	318	18	402	517	1028	151	280
80-200/370/W	C	100	80	125	246	250	379	317	400	65	16	180	125	95	345	280	14	82	30	-	200	370	305	385	318	18	402	517	1028	151	295
80-200/450/W	C	100	80	125	246	250	395	384	450	65	16	180	125	95	345	280	14	80	34	-	225	412	311	436	356	18	455	609	1117	151	440
80-250/370/W	C	100	80	125	246	280	379	317	400	80	21	200	160	120	400	315	20	82	30	-	200	370	305	385	318	18	402	517	1028	152	310
80-250/450/W	C	100	80	125	246	280	379	384	450	80	21	200	160	120	400	315	20	80	34	-	225	412	311	436	356	18	455	609	1117	152	450
80-250/550/W	C	100	80	125	276	280	444	402	550	80	21	200	160	120	400	315	20	100	43	30	250	467	349	506	406	24	550	682	1226	152	535
80-250/750/W	C	100	80	125	276	280	466	472	550	80	21	200	160	120	400	315	20	100	42	-	280	517	419	557	457	24	550	752	1332	152	849

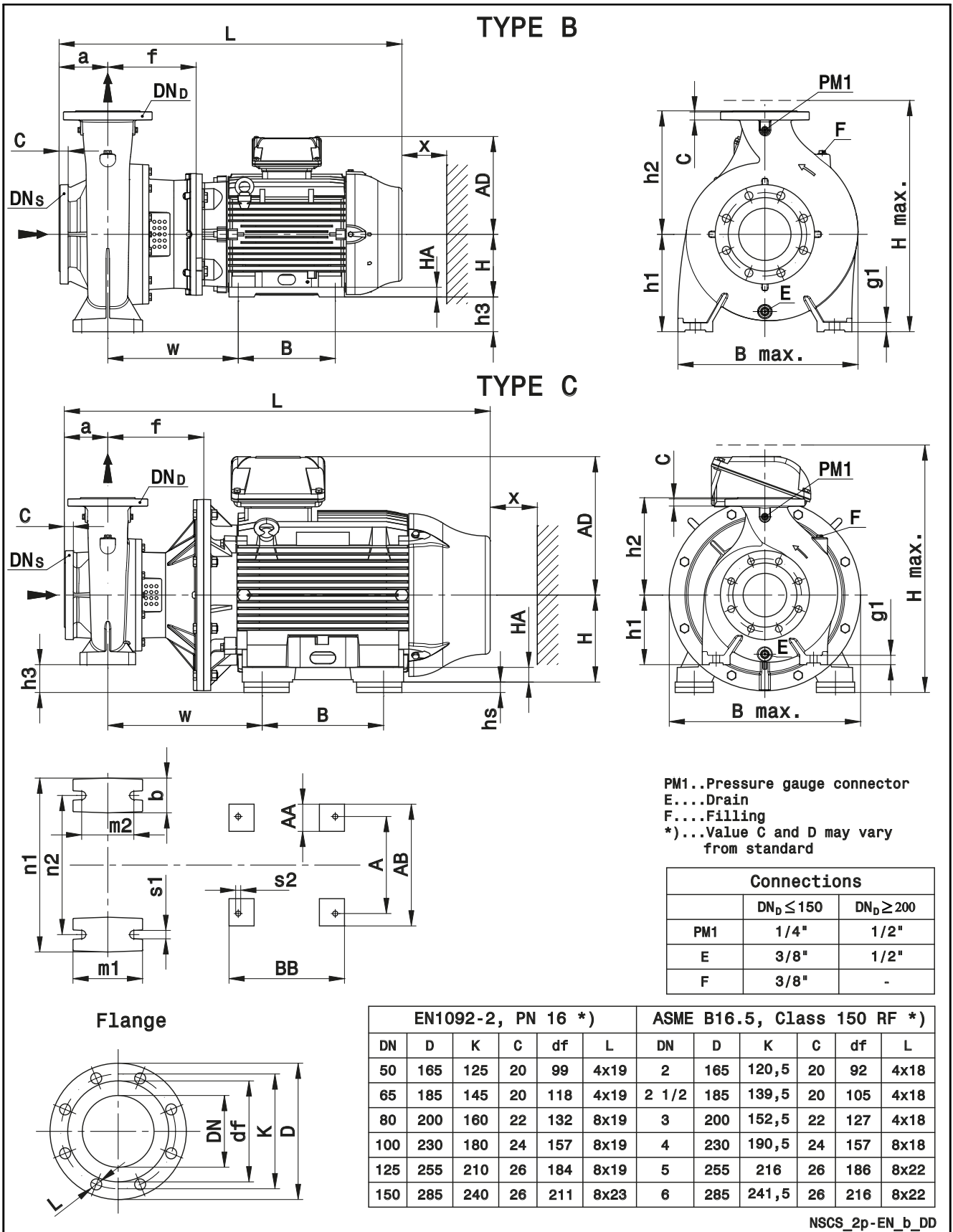
* Motor shim on request

nscs-65-80_2p50_en_a_td

NOTE: Pumps with flanges according to EN 1092-2 as standard; available ASME B16.5 version on request.

NOTE: for models NSCS 65-315 and 80-316 consult the following pages.

**NSCS 50, 80, 100, 125 SERIES
DIMENSIONS AND WEIGHTS AT 50 Hz, 2 POLES**



NSCS_2p-EN_b_DD

NSCS 50, 80, 100, 125 SERIES DIMENSIONS AND WEIGHTS AT 50 Hz, 2 POLES

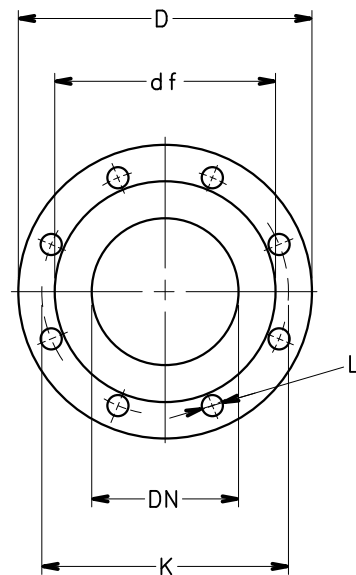
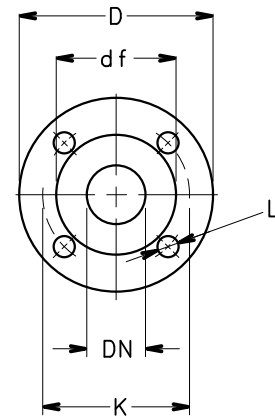
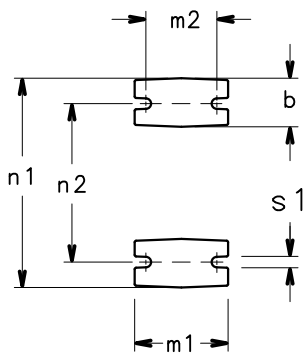
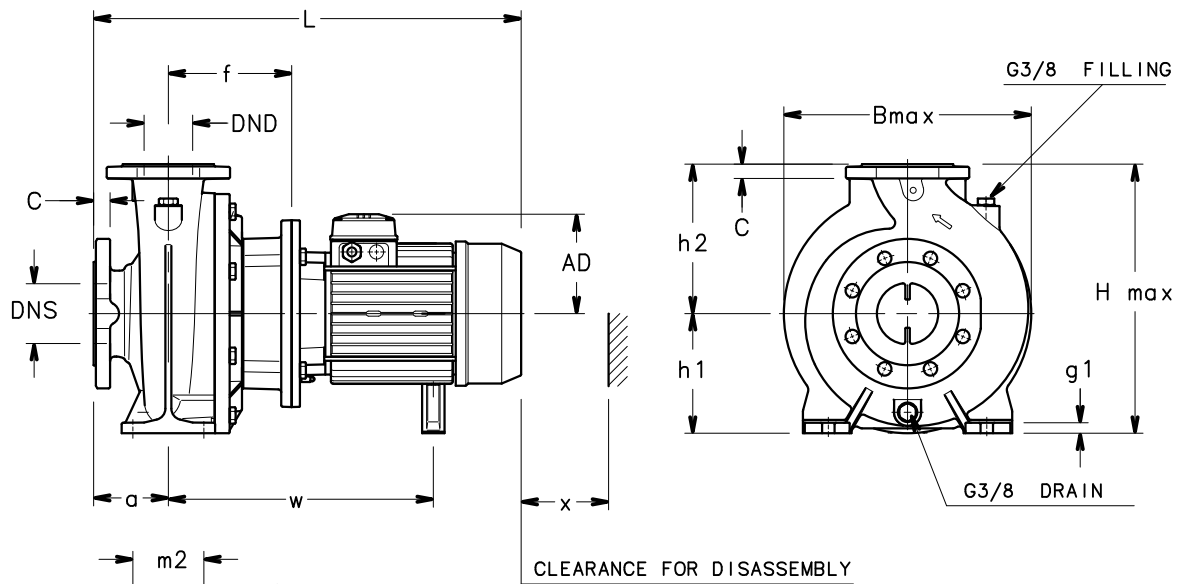
PUMP TYPE NSCS..2	TYPE	DIMENSIONS (mm)																												WEIGHT (kg) G	
		DNS	DND	a	f	x	w	Pump								Motor															
								h1	h2	g1	h3	hs	n1	n2	m1	m2	s1	b	A	AA	AB	AD	B	BB	H	HA	s2	B max	H max	L	
50-315/370/W	B	65	50	125	246	140	379	225	280	14	25	-	345	280	125	95	15	65	318	82	385	317	305	370	200	30	19	413	542	1028	354
50-315/450/W	B	65	50	125	246	140	395	225	280	14	-	-	345	280	125	95	15	65	356	80	436	384	311	412	225	34	19	450	609	1117	510
50-315/550/W	C	65	50	125	276	140	444	225	280	14	55	30	345	280	125	95	15	65	406	100	506	402	349	467	250	43	24	550	682	1226	592
50-315/750/W	C	65	50	125	276	140	466	225	280	14	55	-	345	280	125	95	15	65	457	100	557	472	368	517	280	42	24	550	752	1332	834
65-315/550/W	C	80	65	125	276	140	444	225	280	20	55	30	400	315	160	120	19	80	406	100	506	402	349	467	250	43	24	550	682	1226	599
65-315/750/W	C	80	65	125	276	140	466	225	280	20	55	-	400	315	160	120	19	80	457	100	557	472	368	517	280	42	24	550	752	1332	842
65-315/900/W	C	80	65	125	276	140	466	225	280	20	55	-	400	315	160	120	19	80	457	100	557	472	419	517	280	42	24	550	752	1332	877
80-316/900/W	C	100	80	125	284	140	474	250	315	26	30	-	400	315	160	120	19	80	457	100	557	472	419	517	280	42	24	550	752	1340	897
100-160/150/P	B	125	100	125	240	140	348	200	280	26	40	-	360	280	160	120	19	80	254	49	304	240	210	304	160	5	15	388	480	859	182
100-160/185/P	B	125	100	125	240	140	348	200	280	26	40	-	360	280	160	120	19	80	254	49	304	240	254	304	160	5	15	388	480	859	193
100-160/220/P	B	125	100	125	240	140	348	200	280	26	20	-	360	280	160	120	19	80	254	49	304	240	254	304	180	5	15	388	480	859	203
100-160/300/W	B	125	100	125	246	140	379	200	280	26	-	-	360	280	160	120	19	80	318	82	385	317	305	370	200	30	19	400	517	1028	329
100-200/300/W	B	125	100	125	246	140	379	200	280	26	-	-	360	280	160	120	19	80	318	82	385	317	305	370	200	30	19	400	517	1028	327
100-200/370/W	B	125	100	125	246	140	379	200	280	26	-	-	360	280	160	120	19	80	318	82	385	317	305	370	200	30	19	400	517	1028	348
100-200/450/W	C	125	100	125	246	140	395	200	280	26	25	-	360	280	160	120	19	80	356	80	436	384	311	412	225	34	19	450	609	1117	504
100-200/550/W	C	125	100	125	276	140	444	200	280	26	80	30	360	280	160	120	19	80	406	100	506	402	349	467	250	43	24	550	682	1226	586
100-250/750/W	C	125	100	140	276	140	466	225	280	26	55	-	400	315	160	120	19	80	457	100	557	472	368	517	280	42	24	550	752	1347	839
100-250/900/W	C	125	100	140	276	140	466	225	280	26	55	-	400	315	160	120	19	80	457	100	557	472	419	517	280	42	24	550	752	1347	874
125-200/450/W	B	150	125	140	246	140	395	250	315	26	25	-	400	315	160	120	19	80	356	80	436	384	311	412	225	34	19	468	634	1132	531
125-200/550/W	C	150	125	140	276	140	444	250	315	26	30	30	400	315	160	120	19	80	406	100	506	402	349	467	250	43	24	550	682	1241	612
125-200/750/W	C	150	125	140	276	140	466	250	315	26	30	-	400	315	160	120	19	80	457	100	557	472	368	517	280	42	24	550	752	1347	855
125-200/900/W	C	150	125	140	276	140	466	250	315	26	30	-	400	315	160	120	19	80	457	100	557	472	419	517	280	42	24	550	752	1347	890

NOTE: Pumps supplied with flanges according to EN 1092-2 as standard; available ASME B16.5 version on request.

Nscs-2p50-en_c_ld

NOTE: for models NSCS 50-125, 50-160, 50-200, 50-250, 65-125, 65-160, 65-200, 65-250, 80-160, 80-200, 80-250 consult the previous pages.

NSCS 32, 40, 50 SERIES
DIMENSIONS AND WEIGHTS AT 50 Hz, 4 POLES



FLANGES

EN1092-2, PN 16 *)						ASME B16.5, Class 150 RF *)					
DN	D	K	C	df	L	DN	D	K	C	df	L
32	140	100	18	76	4x19	1 1/4	140	89	18	63.5	4x19
40	150	110	18	84	4x19	1 1/2	150	98.5	18	73	4x19
50	165	125	20	99	4x19	2	165	120.5	20	92	4x19
65	185	145	20	118	4x19	2 1/2	185	139.5	20	105	4x19

*)...VALUE "C" AND "D" MAY VARY FROM STANDARD.

NSCS 32, 40, 50 SERIES DIMENSIONS AND WEIGHTS AT 50 Hz, 4 POLES

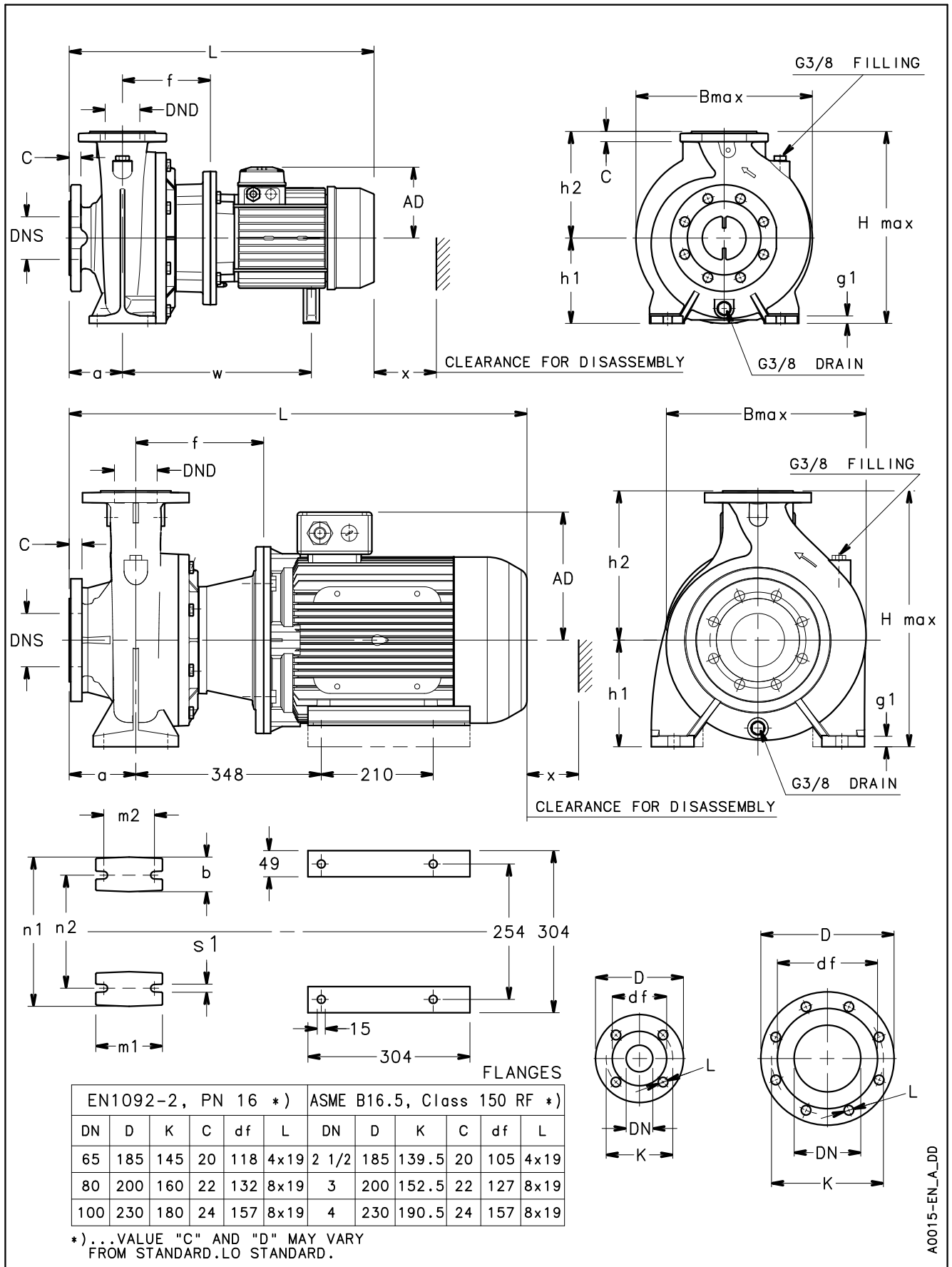
PUMP TYPE NSCS..4	DIMENSIONS (mm)															B max	H max	L	x	WEIGHT kg
	PUMP							STAND												
	DNS	DND	a	f	h2	w	AD	b	g1	h1	m1	m2	n1	n2	s1					
32-160/05A/S	50	32	80	155	160	290	129	50	14	132	100	70	240	190	14	248	292	498	86	32
32-160/05/S	50	32	80	155	160	290	129	50	14	132	100	70	240	190	14	248	292	498	86	32
32-200/05/S	50	32	80	155	180	290	129	50	14	160	100	70	240	190	14	286	340	498	86	42
32-200/07/X	50	32	80	155	180	-	128	50	14	160	100	70	240	190	14	286	340	466	86	43
32-200/11/P	50	32	80	155	180	300	134	50	14	160	100	70	240	190	14	286	340	533	86	50
32-250/11/P	50	32	100	155	225	245	134	65	21	180	125	95	320	250	14	334	405	498	95	48
32-250/15/P	50	32	100	155	225	245	134	65	21	180	125	95	320	250	14	334	405	498	95	51
32-250/22/P	50	32	100	165	225	285	168	65	21	180	125	95	320	250	14	334	405	522	95	61
40-125/05/S	65	40	80	155	140	290	129	50	14	112	100	70	210	160	14	237	252	498	96	32
40-160/05/S	65	40	80	155	160	290	129	50	14	132	100	70	240	190	14	250	292	498	92	34
40-160/07/X	65	40	80	155	160	-	128	50	14	132	100	70	240	190	14	250	292	466	92	38
40-160/11/P	65	40	80	155	160	300	134	50	14	132	100	70	240	190	14	250	292	533	92	44
40-200/07/X	65	40	100	155	180	-	128	50	14	160	100	70	265	212	14	290	340	486	90	43
40-200/11/P	65	40	100	155	180	300	134	50	14	160	100	70	265	212	14	290	340	553	90	49
40-200/15A/P	65	40	100	155	180	300	134	50	14	160	100	70	265	212	14	290	340	553	90	49
40-200/15/P	65	40	100	155	180	300	134	50	14	160	100	70	265	212	14	290	340	553	90	52
40-250/15/P	65	40	100	155	225	300	134	65	16	180	125	95	320	250	14	338	405	553	104	63
40-250/22A/P	65	40	100	165	225	350	168	65	16	180	125	95	320	250	14	338	405	587	104	71
40-250/22/P	65	40	100	165	225	350	168	65	16	180	125	95	320	250	14	338	405	587	104	71
40-250/30/P	65	40	100	165	225	350	168	65	16	180	125	95	320	250	14	338	405	618	104	75
50-125/05/S	65	50	100	157	160	292	129	50	14	132	100	70	240	190	14	255	292	520	107	35
50-125/07/X	65	50	100	157	160	-	128	50	14	132	100	70	240	190	14	255	292	488	107	39
50-125/11/P	65	50	100	157	160	302	134	50	14	132	100	70	240	190	14	255	292	555	107	45
50-160/11A/P	65	50	100	155	180	300	134	50	14	160	100	70	265	212	14	289	340	553	103	52
50-160/11/P	65	50	100	155	180	300	134	50	14	160	100	70	265	212	14	289	340	553	103	52
50-160/15/P	65	50	100	155	180	300	134	50	14	160	100	70	265	212	14	289	340	553	103	55
50-200/15/P	65	50	100	157	200	247	134	50	14	160	100	70	265	212	14	305	360	555	98	55
50-200/22A/P	65	50	100	167	200	287	168	50	14	160	100	70	265	212	14	305	360	589	98	65
50-200/22/P	65	50	100	167	200	287	168	50	14	160	100	70	265	212	14	305	360	589	98	65
50-250/22/P	65	50	100	165	225	285	168	65	16	180	125	95	320	250	14	352	405	522	110	72
50-250/30/P	65	50	100	165	225	285	168	65	16	180	125	95	320	250	14	352	405	553	110	76
50-250/40/P	65	50	100	165	225	315	168	65	16	180	125	95	320	250	14	352	405	598	110	95

NOTE: Pumps with flanges according to EN 1092-2 as standard; available ASME B16.5 version on request.

nscs-32-40-50-4p50-en_a_td

NOTE: for models NSCS 50-315 consult the following pages.

NSCS 65, 80 SERIES
DIMENSIONS AND WEIGHTS AT 50 Hz, 4 POLES



A0015-EN_A_DD

NSCS 65, 80 SERIES DIMENSIONS AND WEIGHTS AT 50 Hz, 4 POLES

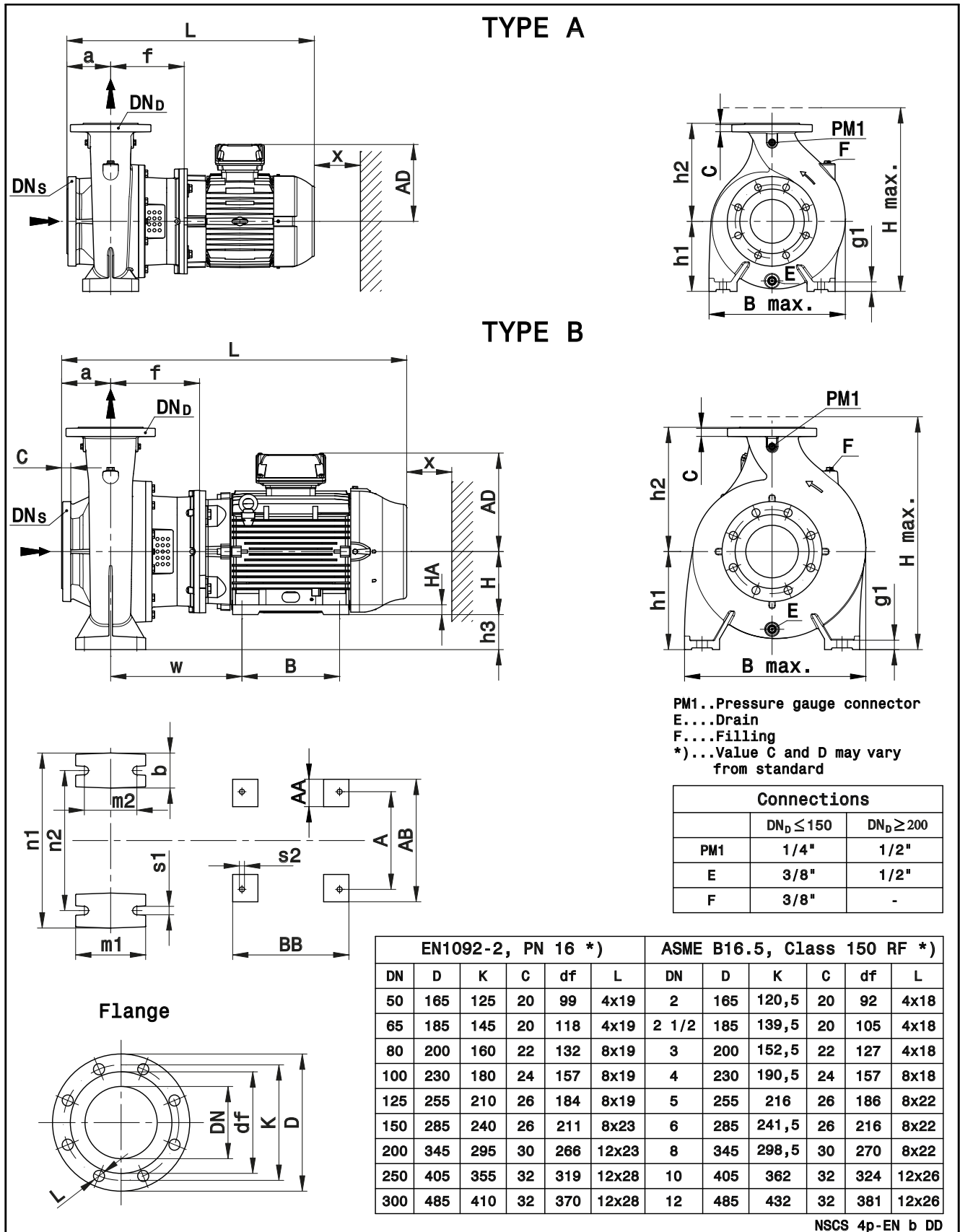
PUMP TYPE NSCS...4	DIMENSIONS (mm)															B max	H max	L	x	WEIGHT kg
	DNS		DND		PUMP					STAND										
	a	f	h2	w	AD	b	g1	h1	m1	m2	n1	n2	s1							
65-125/05/S	80	65	100	157	180	292	139	65	16	160	125	95	280	212	14	300	340	520	100	44
65-125/07/X	80	65	100	157	180	-	128	65	16	160	125	95	280	212	14	300	340	488	100	48
65-125/11/P	80	65	100	157	180	302	134	65	16	160	125	95	280	212	14	300	340	555	100	55
65-125/15/P	80	65	100	157	180	302	134	65	16	160	125	95	280	212	14	300	340	555	100	58
65-160/11/P	80	65	100	155	200	300	134	65	16	160	125	95	280	212	14	335	360	553	108	59
65-160/15/P	80	65	100	155	200	300	134	65	16	160	125	95	280	212	14	335	360	553	108	62
65-160/22A/P	80	65	100	165	200	350	168	65	16	160	125	95	280	212	14	335	360	587	108	72
65-160/22/P	80	65	100	165	200	350	168	65	16	160	125	95	280	212	14	335	360	587	108	72
65-200/15/P	80	65	100	155	225	300	134	65	16	180	125	95	320	250	14	348	405	553	118	65
65-200/22A/P	80	65	100	165	225	350	168	65	16	180	125	95	320	250	14	348	405	587	118	75
65-200/22/P	80	65	100	165	225	350	168	65	16	180	125	95	320	250	14	348	405	587	118	75
65-200/30/P	80	65	100	165	225	350	168	65	16	180	125	95	320	250	14	348	405	618	118	78
65-200/40/P	80	65	100	165	225	380	168	65	16	180	125	95	320	250	14	348	405	663	118	97
65-250/40/P	80	65	100	183	250	398	168	80	21	200	160	120	360	280	20	367	450	681	130	107
65-250/55A/P	80	65	100	210	250	453	191	80	21	200	160	120	360	280	20	367	450	715	130	112
65-250/55/P	80	65	100	210	250	453	191	80	21	200	160	120	360	280	20	367	450	715	130	112
65-250/75/P	80	65	100	210	250	453	191	80	21	200	160	120	360	280	20	367	450	715	130	116
80-160/15/P	100	80	125	155	225	300	134	65	16	180	125	95	320	250	14	340	405	553	122	72
80-160/22A/P	100	80	125	165	225	350	168	65	16	180	125	95	320	250	14	340	405	587	122	82
80-160/22/P	100	80	125	165	225	350	168	65	16	180	125	95	320	250	14	340	405	587	122	82
80-160/30/P	100	80	125	165	225	350	168	65	16	180	125	95	320	250	14	340	405	618	122	85
80-200/30/P	100	80	125	183	250	368	168	65	16	180	125	95	345	280	14	358	430	661	151	87
80-200/40/P	100	80	125	183	250	398	168	65	16	180	125	95	345	280	14	358	430	706	151	109
80-200/55A/P	100	80	125	210	250	453	191	65	16	180	125	95	345	280	14	358	430	740	151	115
80-200/55/P	100	80	125	210	250	453	191	65	16	180	125	95	345	280	14	358	430	740	151	115
80-250/55A/P	100	80	125	210	280	453	191	80	21	200	160	120	400	315	20	400	480	740	152	118
80-250/55/P	100	80	125	210	280	453	191	80	21	200	160	120	400	315	20	400	480	740	152	118
80-250/75/P	100	80	125	210	280	453	191	80	21	200	160	120	400	315	20	400	480	740	152	122
80-250/110/P	100	80	125	240	280	-	240	80	21	200	160	120	400	315	20	400	480	859	152	185

NOTE: Pumps with flanges according to EN 1092-2 as standard; available ASME B16.5 version on request.

nscs-65-80-4p50-en_a_td

NOTE: for models NSCS 65-315, 80-316 consult the following pages.

**NSCS 50, 65, 80, 100 SERIES
DIMENSIONS AND WEIGHTS AT 50 Hz, 4 POLES**



NSCS_4p-EN_b_DD

NSCS 50, 65, 80, 100 SERIES DIMENSIONS AND WEIGHTS AT 50 Hz, 4 POLES

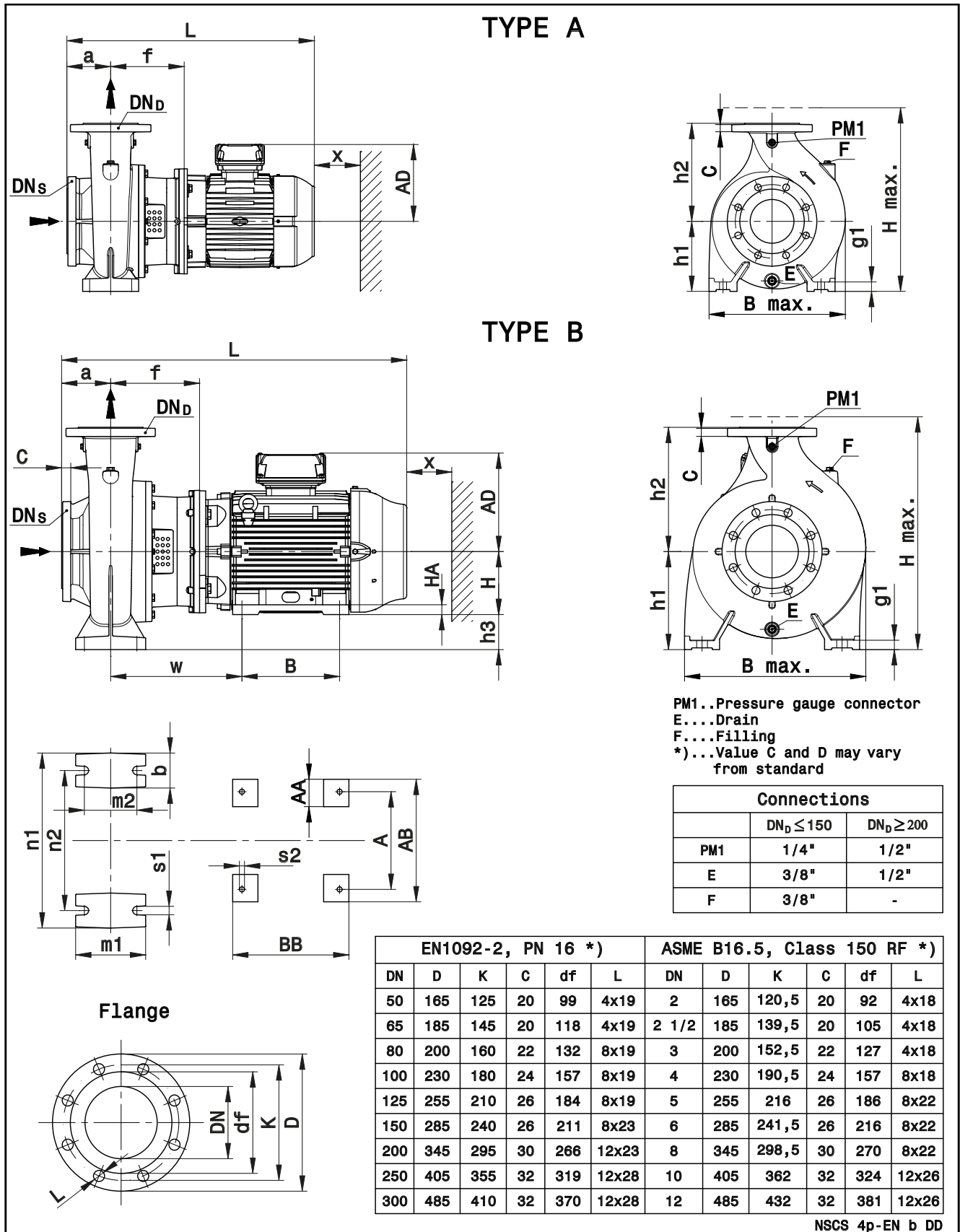
PUMP TYPE NSCS..4	TYPE	DIMENSIONS (mm)																												WEIGHT (kg) G	
		Pump														Motor												B max	H max		L
		DNS	DND	a	f	x	w	h1	h2	g1	h3	n1	n2	m1	m2	s1	b	A	AA	AB	AD	B	BB	H	HA	s2					
50-315/40/P	A	65	50	125	183	140	-	225	280	14	-	345	280	125	95	15	65	-	-	-	168	-	-	-	-	-	413	505	706	137	
50-315/55/P	A	65	50	125	210	140	-	225	280	14	-	345	280	125	95	15	65	-	-	-	191	-	-	-	-	-	413	505	740	145	
50-315/75/P	A	65	50	125	210	140	-	225	280	14	-	345	280	125	95	15	65	-	-	-	191	-	-	-	-	-	413	505	740	150	
50-315/110/P	B	65	50	125	240	140	348	225	280	14	65	345	280	125	95	15	65	254	49	304	240	210	304	160	5	15	413	505	859	172	
65-315/55/P	A	80	65	125	210	140	-	225	280	20	-	400	315	160	120	19	80	-	-	-	191	-	-	-	-	-	437	505	740	153	
65-315/75/P	A	80	65	125	210	140	-	225	280	20	-	400	315	160	120	19	80	-	-	-	191	-	-	-	-	-	437	505	740	157	
65-315/110/P	B	80	65	125	240	140	348	225	280	20	65	400	315	160	120	19	80	254	49	304	240	210	304	160	5	15	437	505	859	179	
65-315/150/P	B	80	65	125	240	140	348	225	280	20	65	400	315	160	120	19	80	254	49	304	240	210	304	160	5	15	437	505	859	222	
80-315/110A/P	B	100	80	125	240	140	348	250	315	26	90	400	315	160	120	19	80	254	49	304	240	210	304	160	5	15	477	565	859	192	
80-315/110/P	B	100	80	125	240	140	348	250	315	26	90	400	315	160	120	19	80	254	49	304	240	210	304	160	5	15	477	565	859	192	
80-315/150/P	B	100	80	125	240	140	348	250	315	26	90	400	315	160	120	19	80	254	49	304	240	210	304	160	5	15	477	565	859	235	
80-315/185/W	B	100	80	125	240	140	361	250	315	26	70	400	315	160	120	19	80	279	78	350	279	241	294	180	28	15	477	565	919	285	
80-315/220/W	B	100	80	125	240	140	361	250	315	26	70	400	315	160	120	19	80	279	78	350	279	279	332	180	28	15	477	565	957	303	
80-400/185/W	B	100	80	125	254	140	375	280	355	26	100	435	355	160	120	19	80	279	78	350	279	241	294	180	28	15	539	635	933	325	
80-400/220/W	B	100	80	125	254	140	375	280	355	26	100	435	355	160	120	19	80	279	78	350	279	279	332	180	28	15	539	635	971	343	
80-400/300/W	B	100	80	125	254	140	387	280	355	26	80	435	355	160	120	19	80	318	82	385	317	305	370	200	30	19	539	635	1036	389	
80-400/370/W	B	100	80	125	284	140	433	280	355	26	55	435	355	160	120	19	80	356	80	436	384	286	412	225	34	19	539	664	1155	547	
100-160/22A/P	A	125	100	125	183	140	-	200	280	26	-	360	280	160	120	19	80	-	-	-	168	-	-	-	-	-	388	480	630	104	
100-160/22/P	A	125	100	125	183	140	-	200	280	26	-	360	280	160	120	19	80	-	-	-	168	-	-	-	-	-	388	480	630	104	
100-160/30/P	A	125	100	125	183	140	-	200	280	26	-	360	280	160	120	19	80	-	-	-	168	-	-	-	-	-	388	480	661	110	
100-160/40/P	A	125	100	125	183	140	-	200	280	26	-	360	280	160	120	19	80	-	-	-	168	-	-	-	-	-	388	480	706	132	
100-200/40/P	A	125	100	125	183	140	-	200	280	26	-	360	280	160	120	19	80	-	-	-	168	-	-	-	-	-	390	480	706	130	
100-200/55/P	A	125	100	125	210	140	-	200	280	26	-	360	280	160	120	19	80	-	-	-	191	-	-	-	-	-	390	480	740	139	
100-200/75/P	A	125	100	125	210	140	-	200	280	26	-	360	280	160	120	19	80	-	-	-	191	-	-	-	-	-	390	480	740	144	
100-250/75/P	A	125	100	140	210	140	-	225	280	26	-	400	315	160	120	19	80	-	-	-	191	-	-	-	-	-	431	505	755	155	
100-250/110/P	B	125	100	140	240	140	348	225	280	26	65	400	315	160	120	19	80	254	49	304	240	210	304	160	5	15	431	505	874	177	
100-315/110/P	B	125	100	140	240	140	348	250	315	26	90	400	315	160	120	19	80	254	49	304	240	210	304	160	5	15	481	565	874	198	
100-315/150/P	B	125	100	140	240	140	348	250	315	26	90	400	315	160	120	19	80	254	49	304	240	210	304	160	5	15	481	565	874	240	
100-315/185/W	B	125	100	140	240	140	361	250	315	26	70	400	315	160	120	19	80	279	78	350	279	241	294	180	28	15	481	565	934	291	
100-315/220/W	B	125	100	140	240	140	361	250	315	26	70	400	315	160	120	19	80	279	78	350	279	279	332	180	28	15	481	565	972	309	
100-315/300/W	B	125	100	140	246	140	379	250	315	26	50	400	315	160	120	19	80	318	82	385	317	305	370	200	30	19	481	567	1043	358	
100-400/300/W	B	125	100	140	254	140	387	280	355	26	80	500	400	200	150	23	100	318	82	385	317	305	370	200	30	19	569	635	1051	409	
100-400/370/W	B	125	100	140	284	140	433	280	355	26	55	500	400	200	150	23	100	356	80	436	384	286	412	225	34	19	569	664	1170	567	
100-400/450/W	B	125	100	140	284	140	433	280	355	26	55	500	400	200	150	23	100	356	80	436	384	311	412	225	34	19	569	664	1170	595	

NOTE: Pumps with flanges according to EN 1092-2 as standard; available ASME B16.5 version on request.

Nscs_50-100_4p50-en_b_td

NOTE: for models NSCS 50-125, 50-160, 50-200, 50-250, 65-125, 65-160, 65-200, 65-250, 80-160, 80-200, 80-250 consult the previous pages.

**NSCS 125, 150, 200, 250 SERIES
DIMENSIONS AND WEIGHTS AT 50 Hz, 4 POLES**



NSCS_4p-EN_b_DD

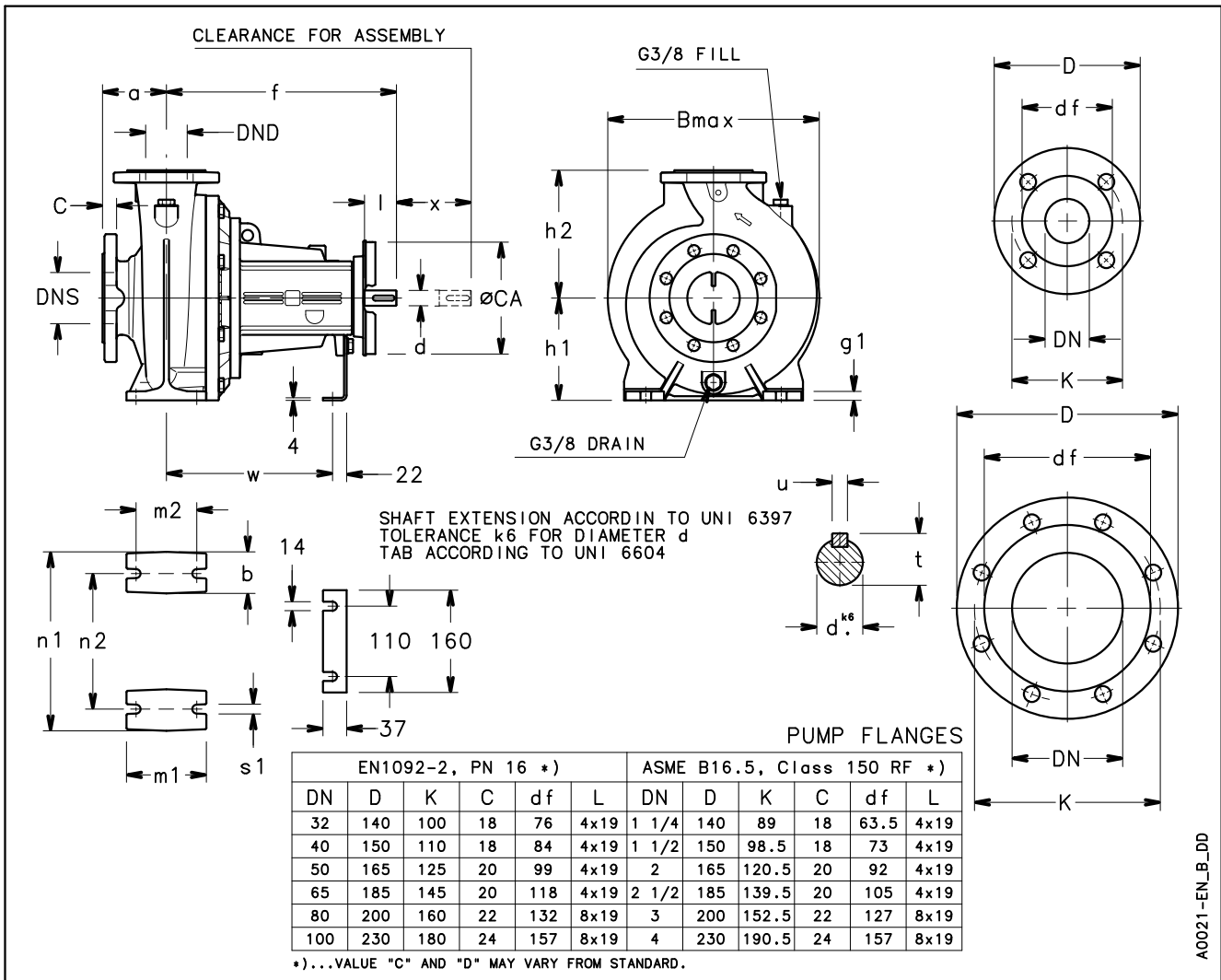
NSCS 125, 150, 200, 250 SERIES DIMENSIONS AND WEIGHTS AT 50 Hz, 4 POLES

PUMP TYPE NSCS..4	TYPE	DIMENSIONS (mm)																												WEIGHT (kg) G	
		Pump														Motor												B max	H max		L
		DNS	DND	a	f	x	w	h1	h2	g1	h3	n1	n2	m1	m2	s1	b	A	AA	AB	AD	B	BB	H	HA	s2					
125-200/55/P	A	150	125	140	210	140	-	250	315	26	-	400	315	160	120	19	80	-	-	-	191	-	-	-	-	-	468	565	755	166	
125-200/75/P	A	150	125	140	210	140	-	250	315	26	-	400	315	160	120	19	80	-	-	-	191	-	-	-	-	-	468	565	755	170	
125-200/110/P	B	150	125	140	240	140	348	250	315	26	90	400	315	160	120	19	80	254	49	304	240	210	304	160	5	15	468	565	874	192	
125-250/110/P	B	150	125	140	240	140	348	250	355	26	90	400	315	160	120	19	80	254	49	304	240	210	304	160	5	15	470	605	874	195	
125-250/150/P	B	150	125	140	240	140	348	250	355	26	90	400	315	160	120	19	80	254	49	304	240	210	304	160	5	15	470	605	874	237	
125-315/185/W	B	150	125	140	254	140	375	280	355	26	100	500	400	200	150	23	100	279	78	350	279	241	294	180	28	15	518	635	948	315	
125-315/220/W	B	150	125	140	254	140	375	280	355	26	100	500	400	200	150	23	100	279	78	350	279	279	332	180	28	15	518	635	986	333	
125-315/300/W	B	150	125	140	254	140	387	280	355	26	80	500	400	200	150	23	100	318	82	385	317	305	370	200	30	19	518	635	1051	379	
125-315/370/W	B	150	125	140	284	140	433	280	355	26	55	500	400	200	150	23	100	356	80	436	384	286	412	225	34	19	518	664	1170	537	
125-400/370/W	B	150	125	140	284	140	433	315	400	26	90	500	400	200	150	23	100	356	80	436	384	286	412	225	34	19	607	715	1170	585	
125-400/450/W	B	150	125	140	284	140	433	315	400	26	90	500	400	200	150	23	100	356	80	436	384	311	412	225	34	19	607	715	1170	613	
125-400/550/W	B	150	125	140	284	140	452	315	400	26	65	500	400	200	150	23	100	406	100	506	402	349	467	250	43	24	607	717	1249	709	
125-400/750/W	B	150	125	140	284	140	474	315	400	26	35	500	400	200	150	23	100	457	100	557	472	368	517	280	42	24	607	787	1355	933	
150-200/110A/P	B	200	150	160	240	140	348	280	400	26	120	550	450	200	150	23	100	254	49	304	240	210	304	160	5	15	602	680	894	248	
150-200/110/P	B	200	150	160	240	140	348	280	400	26	120	550	450	200	150	23	100	254	49	304	240	210	304	160	5	15	602	680	894	248	
150-200/150A/P	B	200	150	160	240	140	348	280	400	26	120	550	450	200	150	23	100	254	49	304	240	210	304	160	5	15	602	680	894	290	
150-200/150/P	B	200	150	160	240	140	348	280	400	26	120	550	450	200	150	23	100	254	49	304	240	210	304	160	5	15	602	680	894	290	
150-250/150/P	B	200	150	160	254	140	362	280	400	26	120	500	400	200	150	23	100	254	49	304	240	210	304	160	5	15	567	680	908	294	
150-250/185/W	B	200	150	160	254	140	375	280	400	26	100	500	400	200	150	23	100	279	78	350	279	241	294	180	28	15	567	680	968	345	
150-250/220/W	B	200	150	160	254	140	375	280	400	26	100	500	400	200	150	23	100	279	78	350	279	279	332	180	28	15	567	680	1006	363	
150-250/300/W	B	200	150	160	254	140	387	280	400	26	80	500	400	200	150	23	100	318	82	385	317	305	370	200	30	19	567	680	1071	409	
150-315/300/W	B	200	150	160	254	140	387	280	400	26	80	550	450	200	150	23	100	318	82	385	317	305	370	200	30	19	586	680	1071	406	
150-315/370/W	B	200	150	160	284	140	433	280	400	26	55	550	450	200	150	23	100	356	80	436	384	286	412	225	34	19	586	680	1190	564	
150-315/450/W	B	200	150	160	284	140	433	280	400	26	55	550	450	200	150	23	100	356	80	436	384	311	412	225	34	19	586	680	1190	592	
150-400/550/W	B	200	150	160	284	140	452	315	450	26	65	550	450	200	150	23	100	406	100	506	402	349	467	250	43	24	622	765	1269	738	
150-400/750/W	B	200	150	160	284	140	474	315	450	26	35	550	450	200	150	23	100	457	100	557	472	368	517	280	42	24	622	787	1375	961	
150-400/900/W	B	200	150	160	284	140	474	315	450	26	35	550	450	200	150	23	100	457	100	557	472	419	517	280	42	24	622	787	1375	1009	
200-250/185/W	B	250	200	180	254	200	375	355	475	26	175	550	450	200	150	23	100	279	78	350	279	241	294	180	28	15	655	830	988	385	
200-250/220/W	B	250	200	180	254	200	375	355	475	26	175	550	450	200	150	23	100	279	78	350	279	279	332	180	28	15	655	830	1026	403	
200-250/300A/W	B	250	200	180	254	200	387	355	475	26	155	550	450	200	150	23	100	318	82	385	317	305	370	200	30	19	655	830	1091	449	
200-250/300/W	B	250	200	180	254	200	387	355	475	26	155	550	450	200	150	23	100	318	82	385	317	305	370	200	30	19	655	830	1091	449	
200-315/370/W	B	250	200	180	284	200	433	355	450	26	130	550	450	200	150	23	100	356	80	436	384	286	412	225	34	19	645	805	1210	607	
200-315/450/W	B	250	200	180	284	200	433	355	450	26	130	550	450	200	150	23	100	356	80	436	384	311	412	225	34	19	645	805	1210	635	
200-315/550/W	B	250	200	180	284	200	452	355	450	26	105	550	450	200	150	23	100	406	100	506	402	349	467	250	43	24	645	805	1289	731	
200-315/750/W	B	250	200	180	284	200	474	355	450	26	75	550	450	200	150	23	100	457	100	557	472	368	517	280	42	24	645	827	1395	955	
250-315/370/W	B	300	250	250	284	200	433	400	500	35	175	710	600	300	250	28	110	356	80	436	384	286	412	225	34	19	767	900	1280	701	
250-315/450/W	B	300	250	250	284	200	433	400	500	35	175	710	600	300	250	28	110	356	80	436	384	311	412	225	34	19	767	900	1280	729	
250-315/550/W	B	300	250	250	284	200	452	400	500	35	150	710	600	300	250	28	110	406	100	506	402	349	467	250	43	24	767	900	1359	826	
250-315/750/W	B	300	250	250	284	200	474	400	500	35	120	710	600	300	250	28	110	457	100	557	472	368	517	280	42	24	767	900	1465	1050	

NOTE: Pumps with flanges according to EN 1092-2 as standard; available ASME B16.5 version on request.

Nscs_125-250_4p50-en_b_tld

NSC 32, 40, 50, 65, 80 SERIES DIMENSIONS AND WEIGHTS (BARE SHAFT)



A0021-EN_B_DD

NSC 32, 40, 50, 65, 80 SERIES DIMENSIONS AND WEIGHTS (BARE SHAFT)

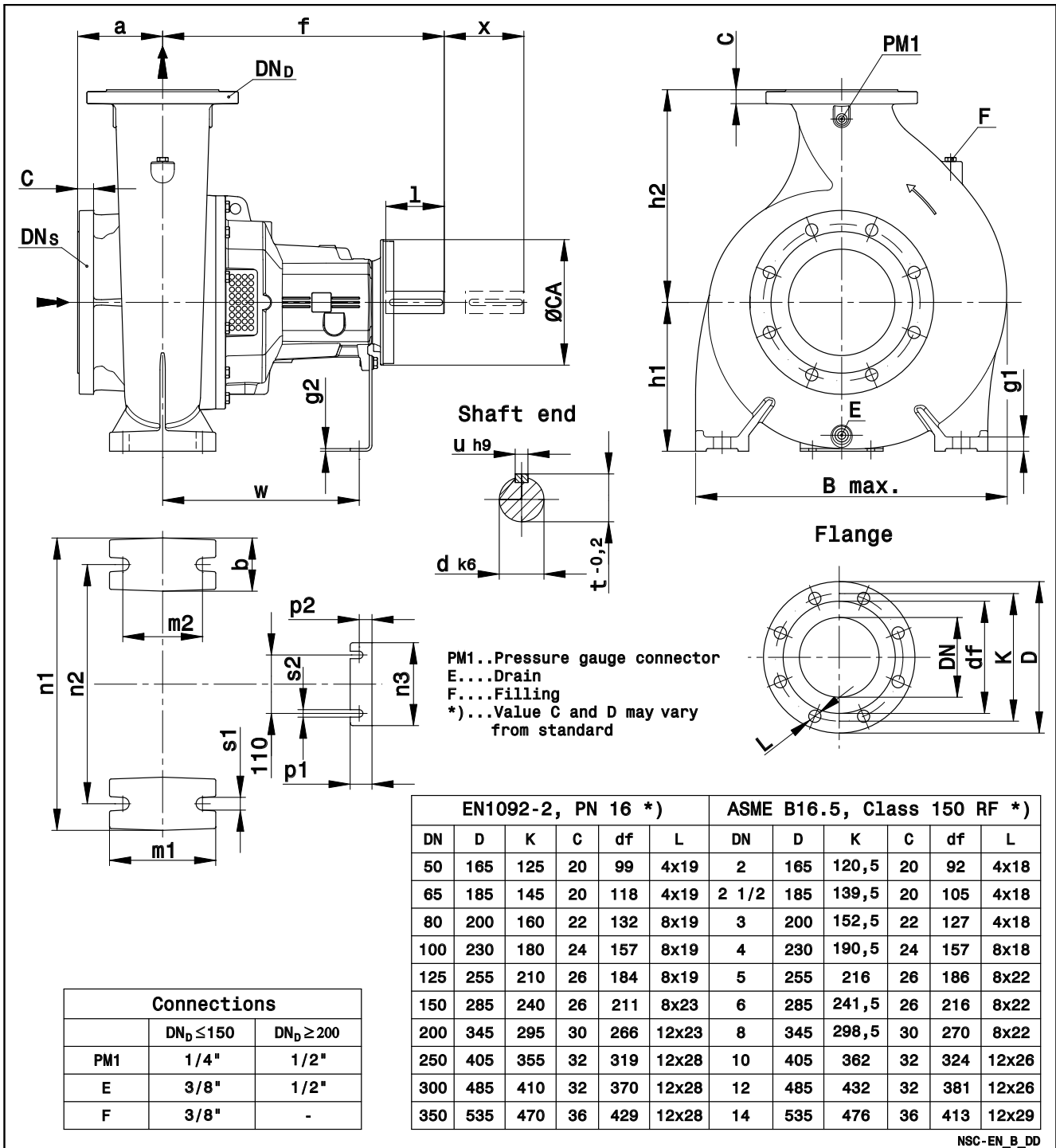
PUMP TYPE NSC (BARE SHAFT)	DIMENSIONS (mm)																			WEIGHT		
	PUMP							STAND							SHAFT					B	k	kg
DNS	DND	a	f	h1	h2	b	g1	m1	m2	n1	n2	s1	w	ØCA	d	l	t	u	max			
32-125	50	32	80	360	112	140	50	12	100	70	190	140	14	260	160	24	50	27	8	239	100	30
32-160	50	32	80	360	132	160	50	12	100	70	240	190	14	260	160	24	50	27	8	250	100	31
32-200	50	32	80	360	160	180	50	12	100	70	240	190	14	260	160	24	50	27	8	286	100	38
32-250	50	32	100	360	180	225	65	16	125	95	320	250	14	260	175	24	50	27	8	343	100	59
40-125	65	40	80	360	112	140	50	12	100	70	210	160	14	260	160	24	50	27	8	240	100	31
40-160	65	40	80	360	132	160	50	12	100	70	240	190	14	260	160	24	50	27	8	253	100	32
40-200	65	40	100	360	160	180	50	12	100	70	265	212	14	260	160	24	50	27	8	294	100	40
40-250	65	40	100	360	180	225	65	16	125	95	320	250	14	260	175	24	50	27	8	343	100	60
50-125	65	50	100	360	132	160	50	12	100	70	240	190	14	260	160	24	50	27	8	258	100	34
50-160	65	50	100	360	160	180	50	12	100	70	265	212	14	260	160	24	50	27	8	290	100	41
50-200	65	50	100	360	160	200	50	12	100	70	265	212	14	260	160	24	50	27	8	303	100	42
50-250	65	50	100	360	180	225	65	16	125	95	320	250	14	260	175	24	50	27	8	361	100	61
65-125	80	65	100	360	160	180	65	16	125	95	280	212	14	260	160	24	50	27	8	305	100	45
65-160	80	65	100	360	160	200	65	16	125	95	280	212	14	260	175	24	50	27	8	338	100	60
65-200	80	65	100	360	180	225	65	16	125	95	320	250	14	260	175	24	50	27	8	350	140	63
65-250	80	65	100	470	200	250	80	21	160	120	360	280	20	340	190	32	80	35	10	375	140	81
80-160	100	80	125	360	180	225	65	16	125	95	320	250	14	260	160	24	50	27	8	343	140	66
80-200	100	80	125	470	180	250	65	16	125	95	345	280	14	340	190	32	80	35	10	365	140	83
80-250	100	80	125	470	200	280	80	21	160	120	400	315	20	340	190	32	80	35	10	405	140	86

NOTE: Pumps with flanges according to EN 1092-2 as standard; available ASME B16.5 version on request.

Nsc32-80bs-en_a_td

NOTE: for models NSC 50-315, 65-315, 80-315, 80-316, 80-400 consult the following pages.

**NSC 50, 65, 80, 100, 125, 150, 200, 250, 300 SERIES
DIMENSIONS AND WEIGHTS (BARE SHAFT)**



NSC-EN_B_DD

NSC 50, 65, 80, 100, 125, 150, 200, 250, 300 SERIES DIMENSIONS AND WEIGHTS (BARE SHAFT)

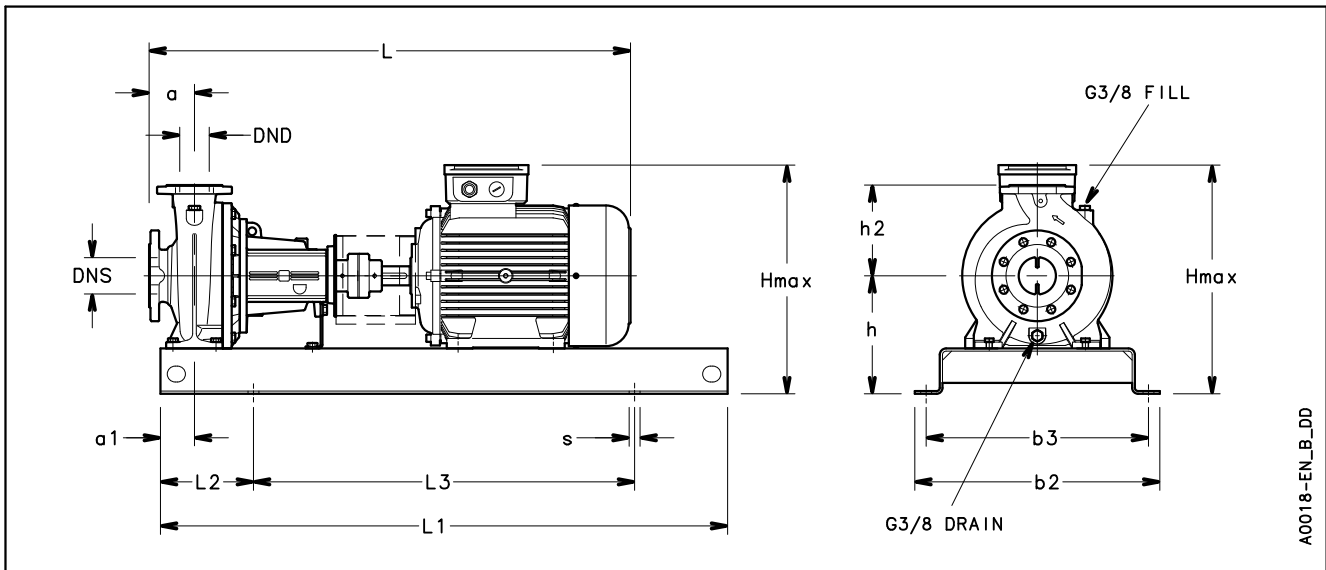
PUMP TYPE NSC (BARE SHAFT)	PUMP DIMENSIONS (mm)																								WEIGHT (kg) G		
	PUMP																			SHAFT				B max		x	
	DNS	DND	a	f	w	h1	h2	m1	m2	n1	n2	n3	p1	p2	g1	g2	s1	s2	b	ØCA	d	l	t				u
50-315	65	50	125	470	340	225	280	125	95	345	280	156	41	24	14	5	15	14	65	190	32	80	35	10	414	140	94
65-315	80	65	125	470	340	225	280	160	120	400	315	156	41	24	20	5	19	14	80	190	32	80	35	10	437	140	102
80-315	100	80	125	470	340	250	315	160	120	400	315	156	41	24	26	5	19	14	80	190	32	80	35	10	478	140	118
80-316	100	80	125	530	370	250	315	160	120	400	315	156	41	24	26	5	19	14	80	230	42	110	45	12	478	140	140
80-400	100	80	125	530	370	280	355	160	120	435	355	156	41	24	26	5	19	14	80	230	42	110	45	12	540	140	154
100-160	125	100	125	470	340	200	280	160	120	360	280	156	41	24	26	5	19	14	80	190	32	80	35	10	388	140	82
100-200	125	100	125	470	340	200	280	160	120	360	280	156	41	24	26	5	19	14	80	190	32	80	35	10	390	140	90
100-250	125	100	140	470	340	225	280	160	120	400	315	156	41	24	26	5	19	14	80	190	32	80	35	10	431	140	100
100-315	125	100	140	470	340	250	315	160	120	400	315	156	41	24	26	5	19	14	80	190	32	80	35	10	482	140	116
100-316	125	100	140	530	370	250	315	160	120	400	315	156	41	24	26	5	19	14	80	230	42	110	45	12	482	140	143
100-400	125	100	140	530	370	280	355	200	150	500	400	156	41	24	26	5	23	14	100	230	42	110	45	12	569	140	178
125-200	150	125	140	470	340	250	315	160	120	400	315	156	41	24	26	5	19	14	80	190	32	80	35	10	468	140	112
125-250	150	125	140	470	340	250	355	160	120	400	315	156	41	24	26	5	19	14	80	190	32	80	35	10	470	140	112
125-315	150	125	140	530	370	280	355	200	150	500	400	156	41	24	26	5	23	14	100	230	42	110	45	12	518	140	152
125-400	150	125	140	530	370	315	400	200	150	500	400	156	41	24	26	5	23	14	100	230	42	110	45	12	607	140	200
150-200	200	150	160	470	340	280	400	200	150	550	450	156	41	24	26	5	23	14	100	190	32	80	35	10	603	140	166
150-250	200	150	160	530	370	280	400	200	150	500	400	156	41	24	26	5	23	14	100	230	42	110	45	12	569	140	180
150-315	200	150	160	530	370	280	400	200	150	550	450	156	41	24	26	5	23	14	100	230	42	110	45	12	586	140	186
150-400	200	150	160	530	370	315	450	200	150	550	450	156	41	24	26	5	23	14	100	230	42	110	45	12	621	140	228
150-500	200	150	180	770	525	400	500	300	250	710	600	170	58	33	35	8	28	18	110	310	60	140	64	18	751	250	408
200-250	250	200	180	530	370	355	475	200	150	550	450	156	41	24	26	5	23	14	100	230	42	110	45	12	655	200	230
200-315	250	200	180	530	370	355	450	200	150	550	450	156	41	24	26	5	23	14	100	230	42	110	45	12	645	200	234
200-400	250	200	180	770	525	400	500	300	250	710	600	170	58	33	35	8	28	18	110	310	60	140	64	18	735	250	363
200-500	250	200	200	770	525	450	560	300	250	710	600	170	58	33	35	8	28	18	110	310	60	140	64	18	761	250	400
250-315	300	250	250	530	370	400	500	300	250	710	600	156	41	24	35	5	28	14	110	230	42	110	45	12	767	200	316
250-400	300	250	200	770	525	400	560	300	250	710	600	170	58	33	35	8	28	18	110	310	60	140	64	18	754	250	400
250-500	300	250	200	770	525	450	670	300	250	710	600	170	58	33	35	8	28	18	110	310	60	140	64	18	776	250	451
300-350	350	300	250	800	555	450	600	350	290	800	670	170	58	33	41	8	32	18	130	310	60	140	64	18	895	300	544
300-400	350	300	250	800	555	450	600	350	290	800	670	170	58	33	41	8	32	18	130	310	60	140	64	18	854	300	548
300-450	350	300	250	800	555	475	630	350	290	800	670	170	58	33	41	8	32	18	130	310	60	140	64	18	873	300	578

NOTE: Pumps with flanges according to EN 1092-2 as standard; available ASME B16.5 version on request.

Nsc50-300bs-en_a_td

NOTE: for models NSC 50-125, 50-160, 50-200, 50-250, 65-125, 65-160, 65-200, 65-250, 80-160, 80-200, 80-250 consult the previous pages.

NSCF 32, 40 SERIES (MOUNTED ON BASE) DIMENSIONS AND WEIGHTS AT 50 Hz, 2 POLES



PUMP TYPE NSCF..2	DIMENSIONS (mm)													s FOR SCREWS	WEIGHT kg	COUPLING TYPE
	DNS	DND	a	b3	b2	L	L3	L1	L2	a1	h	h2	Hmax			
32-125/11/S	50	32	80	320	360	746	540	800	130	60	212	140	352	M16	65	B68B
32-125/15/P	50	32	80	350	390	791	600	900	150	60	212	140	352	M16	75	B68C
32-125/22/P	50	32	80	350	390	791	600	900	150	60	212	140	352	M16	77	B68C
32-125/30/P	50	32	80	350	390	822	600	900	150	60	212	140	366	M16	84	B80A
32-160/22/P	50	32	80	350	390	791	600	900	150	60	232	160	392	M16	78	B68C
32-160/30/P	50	32	80	350	390	822	600	900	150	60	232	160	392	M16	85	B80A
32-160/40/P	50	32	80	350	390	825	600	900	150	60	232	160	400	M16	90	B80A
32-160/55/P	50	32	80	400	450	890	660	1000	170	60	232	160	423	M20	119	B95A
32-200/40/P	50	32	80	350	390	825	600	900	150	60	260	180	440	M16	97	B80A
32-200/55/P	50	32	80	400	450	890	660	1000	170	60	260	180	451	M20	126	B95A
32-200/75/P	50	32	80	400	450	890	660	1000	170	60	260	180	451	M20	130	B95A
32-250/110A/P	50	32	100	490	540	1067	840	1250	205	75	280	225	520	M20	187	B95B
32-250/110/P	50	32	100	490	540	1067	840	1250	205	75	280	225	520	M20	187	B95B
32-250/150/P	50	32	100	490	540	1067	840	1250	205	75	280	225	520	M20	204	B95B
40-125/15/P	65	40	80	350	390	791	600	900	150	60	212	140	352	M16	76	B68C
40-125/22/P	65	40	80	350	390	791	600	900	150	60	212	140	352	M16	78	B68C
40-125/30/P	65	40	80	350	390	822	600	900	150	60	212	140	366	M16	85	B80A
40-125/40/P	65	40	80	350	390	825	600	900	150	60	212	140	380	M16	90	B80A
40-160/40/P	65	40	80	350	390	825	600	900	150	60	232	160	400	M16	91	B80A
40-160/55/P	65	40	80	400	450	890	660	1000	170	60	232	160	423	M20	120	B95A
40-160/75/P	65	40	80	400	450	890	660	1000	170	60	232	160	423	M20	124	B95A
40-200/55/P	65	40	100	400	450	910	660	1000	170	60	260	180	451	M20	128	B95A
40-200/75/P	65	40	100	400	450	910	660	1000	170	60	260	180	451	M20	132	B95A
40-200/110A/P	65	40	100	440	490	1067	740	1120	190	60	260	180	500	M20	161	B95B
40-200/110/P	65	40	100	440	490	1067	740	1120	190	60	260	180	500	M20	161	B95B
40-250/110/P	65	40	100	490	540	1067	840	1250	205	75	280	225	520	M20	188	B95B
40-250/150/P	65	40	100	490	540	1067	840	1250	205	75	280	225	520	M20	205	B95B
40-250/185/P	65	40	100	490	540	1067	840	1250	205	75	280	225	520	M20	218	B95B
40-250/220/W	65	40	100	490	540	1127	840	1250	205	75	280	225	559	M20	285	B110A

NOTE: Pumps with flanges according to EN 1092-2 as standard.

Nscf32-40-2p50-en_a_td

Available ASME B16.5 version on request. For flanges dimensions see drawing.

NSCF 50, 65, 80 SERIES (MOUNTED ON BASE) DIMENSIONS AND WEIGHTS AT 50 Hz, 2 POLES

PUMP TYPE NSCF..2	DIMENSIONS (mm)													S FOR PER VITI	WEIGHT kg	COUPLING TYPE
	DNS	DND	a	b3	b2	L	L3	L1	L2	a1	h	h2	Hmax			
50-125/30/P	65	50	100	350	390	842	600	900	150	60	232	160	392	M16	88	B80A
50-125/40/P	65	50	100	350	390	845	600	900	150	60	232	160	400	M16	93	B80A
50-125/55/P	65	50	100	400	450	910	660	1000	170	60	232	160	423	M20	122	B95A
50-125/75/P	65	50	100	400	450	910	660	1000	170	60	232	160	423	M20	126	B95A
50-160/75/P	65	50	100	400	450	910	660	1000	170	60	260	180	451	M20	133	B95A
50-160/110A/P	65	50	100	440	490	1067	740	1120	190	60	260	180	500	M20	162	B95B
50-160/110/P	65	50	100	440	490	1067	740	1120	190	60	260	180	500	M20	162	B95B
50-200/110/P	65	50	100	440	490	1067	740	1120	190	60	260	200	500	M20	163	B95B
50-200/150/P	65	50	100	440	490	1067	740	1120	190	60	260	200	500	M20	180	B95B
50-200/185/P	65	50	100	440	490	1067	740	1120	190	60	260	200	500	M20	193	B95B
50-250/185/P	65	50	100	490	540	1067	840	1250	205	75	280	225	520	M20	219	B95B
50-250/220/W	65	50	100	490	540	1127	840	1250	205	75	280	225	559	M20	286	B110A
50-250/300/W	65	50	100	550	610	1230	940	1400	230	75	310	225	627	M24	368	B125D
65-125/40/P	80	65	100	350	390	845	600	900	150	75	260	180	440	M16	104	B80A
65-125/55/P	80	65	100	400	450	910	660	1000	170	75	260	180	451	M20	133	B95A
65-125/75/P	80	65	100	400	450	910	660	1000	170	75	260	180	451	M20	137	B95A
65-125/110A/P	80	65	100	440	490	1067	740	1120	190	75	260	180	500	M20	167	B95B
65-125/110/P	80	65	100	440	490	1067	740	1120	190	75	260	180	500	M20	167	B95B
65-160/110A/P	80	65	100	490	540	1067	840	1250	205	75	260	200	500	M20	188	B95B
65-160/110/P	80	65	100	490	540	1067	840	1250	205	75	260	200	500	M20	188	B95B
65-160/150/P	80	65	100	490	540	1067	840	1250	205	75	260	200	500	M20	205	B95B
65-160/185/P	80	65	100	490	540	1067	840	1250	205	75	260	200	500	M20	218	B95B
65-200/110/P	80	65	100	490	540	1067	840	1250	205	75	280	225	520	M20	191	B95B
65-200/150/P	80	65	100	490	540	1067	840	1250	205	75	280	225	520	M20	208	B95B
65-200/185/P	80	65	100	490	540	1067	840	1250	205	75	280	225	520	M20	221	B95B
65-200/220/W	80	65	100	490	540	1127	840	1250	205	75	280	225	559	M20	288	B110A
65-200/300/W	80	65	100	550	610	1230	940	1400	230	75	310	225	627	M24	370	B125D
65-250/300/W	80	65	100	550	610	1340	940	1400	230	90	310	250	627	M24	388	B125B
65-250/370/W	80	65	100	550	610	1340	940	1400	230	90	310	250	627	M24	409	B125B
65-250/450/W	80	65	100	550	610	1429	940	1400	230	90	365	250	719	M24	560	B125B
65-250/550/W	80	65	100	600	660	1538	1060	1600	270	90	390	250	792	M24	669	B140A
80-160/110/P	100	80	125	490	540	1092	840	1250	205	75	280	225	520	M20	194	B95B
80-160/150/P	100	80	125	490	540	1092	840	1250	205	75	280	225	520	M20	211	B95B
80-160/185/P	100	80	125	490	540	1092	840	1250	205	75	280	225	520	M20	224	B95B
80-160/220/W	100	80	125	490	540	1152	840	1250	205	75	280	225	559	M20	291	B110A
80-200/220/W	100	80	125	490	540	1262	840	1250	205	75	280	250	559	M20	308	B110B
80-200/300/W	100	80	125	550	610	1365	940	1400	230	75	310	250	627	M24	390	B125B
80-200/370/W	100	80	125	550	610	1365	940	1400	230	75	310	250	627	M24	411	B125B
80-200/450/W	100	80	125	550	610	1454	940	1400	230	75	365	250	749	M24	562	B125B
80-250/370/W	100	80	125	550	610	1365	940	1400	230	90	310	280	627	M24	414	B125B
80-250/450/W	100	80	125	550	610	1454	940	1400	230	90	365	280	749	M24	565	B125B
80-250/550/W	100	80	125	600	660	1563	1060	1600	270	90	390	280	792	M24	674	B140A
80-250/750/W	100	80	125	670	730	1669	1200	1800	300	90	420	280	892	M24	942	B160A

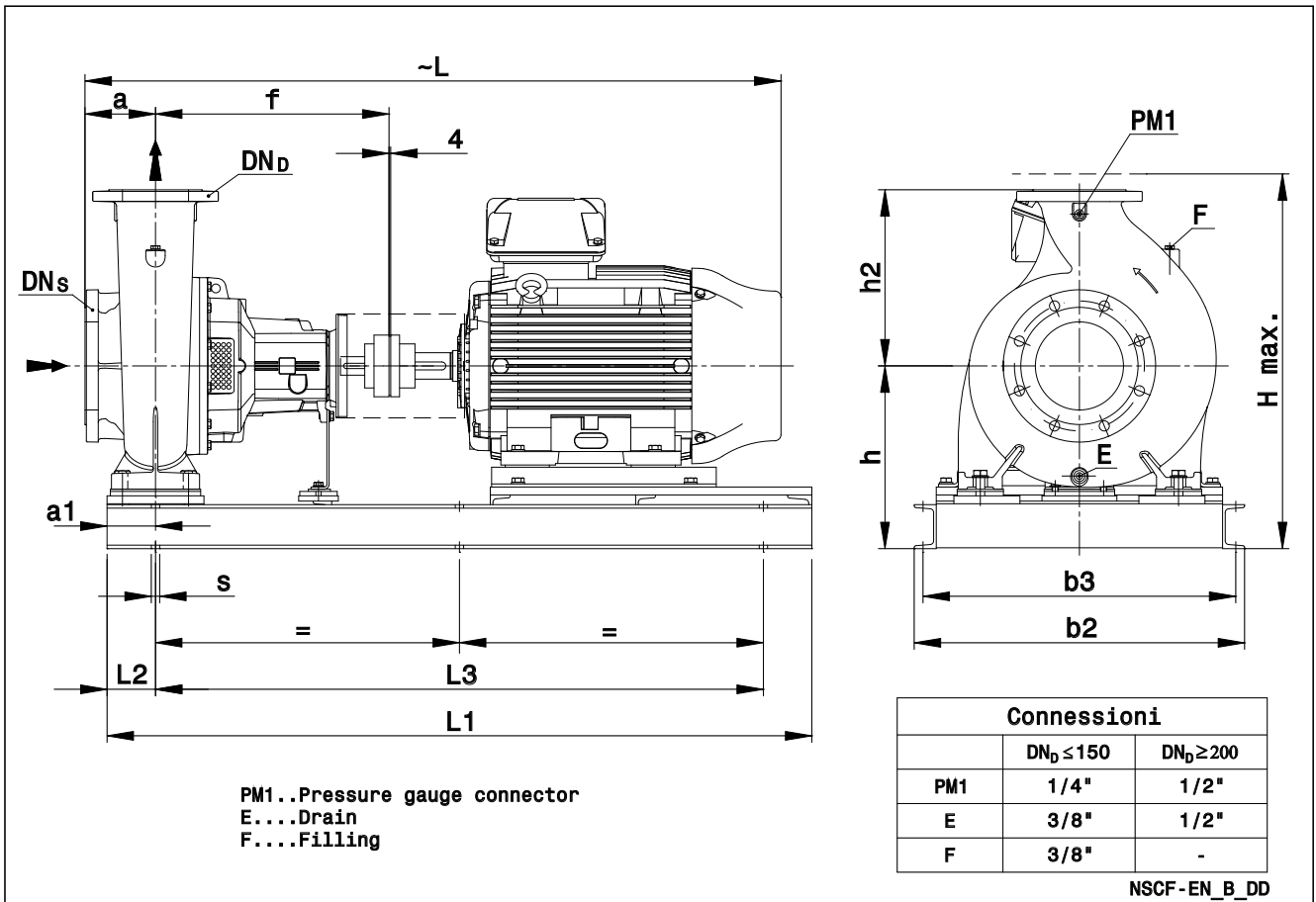
NOTE: Pumps with flanges according to EN 1092-2 as standard.

Nscf50-80-2p50-en_a_td

Available ASME B16.5 version on request. For flanges dimensions see drawing.

NOTE: for models NSCF 50-315, 65-315, 80-316 consult the following pages.

NSCF 50, 65, 80, 100, 125 SERIES (MOUNTED ON BASE)
DIMENSIONS AND WEIGHTS AT 50 Hz, 2 POLES



NSCF 50, 65, 80, 100, 125 SERIES (MOUNTED ON BASE) DIMENSIONS AND WEIGHTS AT 50 Hz, 2 POLES

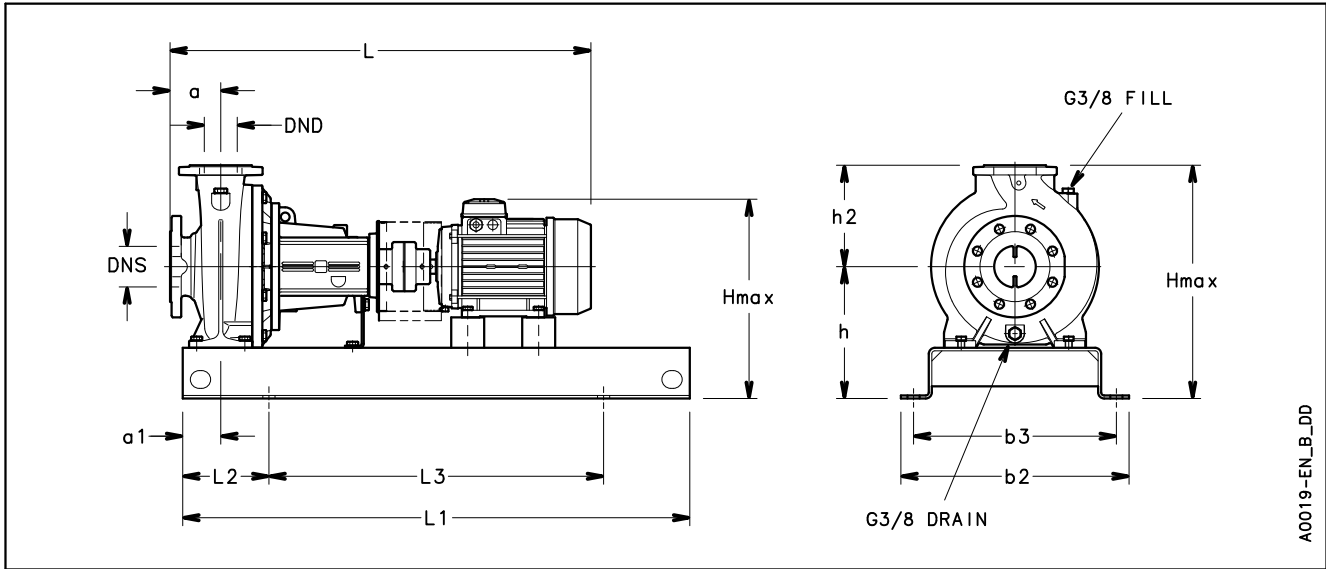
PUMP TYPE NSCF..2	DIMENSIONI (mm)															WEIGHT (kg) G	IEC MOTOR IEC	COUPLING TYPE
	DNS	DND	a	a1	f	b2	b3	L1	L3	L2	L	h	h2	Hmax	s			
50-315/370/W	65	50	125	110	470	560	520	1350	1130	110	1366	355	280	672	6xØ19 (M16)	462	200L	B125B
50-315/450/W	65	50	125	110	470	560	520	1350	1130	110	1455	355	280	739	6xØ19 (M16)	607	225S/M	B125B
50-315/550/W	65	50	125	110	470	750	710	1550	1330	110	1564	405	280	807	6xØ19 (M16)	733	250M	B140A
50-315/750/W	65	50	125	110	470	750	710	1550	1330	110	1670	405	280	877	6xØ19 (M16)	960	280S/M	B160A
65-315/550/W	80	65	125	110	470	750	710	1550	1330	110	1564	405	280	807	6xØ19 (M16)	740	250M	B140A
65-315/750/W	80	65	125	110	470	750	710	1550	1330	110	1670	390	280	862	6xØ19 (M16)	958	280S/M	B160A
65-315/900/W	80	65	125	110	470	750	710	1550	1330	110	1670	390	280	862	6xØ19 (M16)	993	280S/M	B160A
80-316/900/W	100	80	125	110	530	750	710	1600	1380	110	1730	440	315	912	6xØ19 (M16)	1061	280S/M	B160B
80-316/1100/W	100	80	125	110	530	860	810	1850	1630	110	1903	505	315	1035	6xØ26 (M20)	1340	315S/M	B160B
80-316/1320/W	100	80	125	110	530	860	810	1850	1630	110	1903	505	315	1035	6xØ26 (M20)	1426	315S/M	B160B
80-316/1600/W	100	80	125	110	530	860	810	1850	1630	110	1903	505	315	1035	6xØ26 (M20)	1507	315S/M	B160B
100-160/150/P	125	100	125	110	470	670	630	1330	1110	110	1203	365	280	645	6xØ19 (M16)	304	160L	B95E
100-160/185/P	125	100	125	110	470	670	630	1330	1110	110	1203	365	280	645	6xØ19 (M16)	312	160L	B95E
100-160/220/W	125	100	125	110	470	670	630	1330	1110	110	1263	385	280	665	6xØ19 (M16)	385	180M	B110B
100-160/300/W	125	100	125	110	470	560	520	1350	1130	110	1366	330	280	647	6xØ19 (M16)	422	200L	B125B
100-200/300/W	125	100	125	110	470	560	520	1350	1130	110	1366	330	280	647	6xØ19 (M16)	430	200L	B125B
100-200/370/W	125	100	125	110	470	560	520	1350	1130	110	1366	330	280	647	6xØ19 (M16)	451	200L	B125B
100-200/450/W	125	100	125	110	470	560	520	1350	1130	110	1455	355	280	739	6xØ19 (M16)	610	225S/M	B125B
100-200/550/W	125	100	125	110	470	750	710	1550	1330	110	1564	405	280	807	6xØ19 (M16)	735	250M	B140A
100-250/450/W	125	100	140	110	470	560	520	1350	1130	110	1470	355	280	739	6xØ19 (M16)	612	225S/M	B125B
100-250/550/W	125	100	140	110	470	750	710	1550	1330	110	1579	405	280	807	6xØ19 (M16)	738	250M	B140A
100-250/750/W	125	100	140	110	470	750	710	1550	1330	110	1685	390	280	862	6xØ19 (M16)	956	280S/M	B160A
100-250/900/W	125	100	140	110	470	750	710	1550	1330	110	1685	390	280	862	6xØ19 (M16)	991	280S/M	B160A
100-316/1100/W	125	100	140	110	530	860	810	1850	1630	110	1918	505	315	1035	6xØ26 (M20)	1343	315S/M	B160B
100-316/1320/W	125	100	140	110	530	860	810	1850	1630	110	1918	505	315	1035	6xØ26 (M20)	1429	315S/M	B160B
100-316/1600/W	125	100	140	110	530	860	810	1850	1630	110	1918	505	315	1035	6xØ26 (M20)	1510	315S/M	B160B
125-200/450/W	150	125	140	110	470	560	520	1350	1130	110	1470	355	315	739	6xØ19 (M16)	617	225S/M	B125B
125-200/550/W	150	125	140	110	470	750	710	1550	1330	110	1579	405	315	807	6xØ19 (M16)	743	250M	B140A
125-200/750/W	150	125	140	110	470	750	710	1550	1330	110	1685	405	315	877	6xØ19 (M16)	970	280S/M	B160A
125-200/900/W	150	125	140	110	470	750	710	1550	1330	110	1685	405	315	877	6xØ19 (M16)	1005	280S/M	B160A
125-315/1100/W	150	125	140	110	530	860	810	1850	1630	110	1918	505	355	1035	6xØ26 (M20)	1344	315S/M	B160B
125-315/1320/W	150	125	140	110	530	860	810	1850	1630	110	1918	505	355	1035	6xØ26 (M20)	1430	315S/M	B160B
125-315/1600/W	150	125	140	110	530	860	810	1850	1630	110	1918	505	355	1035	6xØ26 (M20)	1511	315S/M	B160B
125-315/2000/W	150	125	140	110	530	860	810	1850	1630	110	2027	505	355	1080	6xØ26 (M20)	1692	315L	B180A

NOTE: Pumps with flanges according to EN 1092-2 as standard; available ASME B16.5 version on request. For flanges dimensions see drawing.

Nscf50-125-2p50-en_b_td

NOTE: for models NSCF 50-125, 50-160, 50-200, 50-250, 65-125, 65-160, 65-200, 65-250, 80-160, 80-200, 80-250 consult the previous pages.

NSCF 32, 40 SERIES (MOUNTED ON BASE) DIMENSIONS AND WEIGHTS AT 50 Hz, 4 POLES



PUMP TYPE NSCF..4	DIMENSIONS (mm)													s FOR SCREWS	WEIGHT kg	COUPLING TYPE
	DNS	DND	a	b3	b2	L	L3	L1	L2	a1	h	h2	Hmax			
32-125/02B/S	50	32	80	320	360	704	540	800	130	60	212	140	352	M16	61	B68A
32-125/02A/S	50	32	80	320	360	704	540	800	130	60	212	140	352	M16	61	B68A
32-125/02/S	50	32	80	320	360	704	540	800	130	60	212	140	352	M16	61	B68A
32-125/03/S	50	32	80	320	360	704	540	800	130	60	212	140	352	M16	62	B68A
32-160/02/S	50	32	80	320	360	704	540	800	130	60	232	160	392	M16	62	B68A
32-160/03/S	50	32	80	320	360	704	540	800	130	60	232	160	392	M16	63	B68A
32-160/05A/S	50	32	80	320	360	746	540	800	130	60	232	160	392	M16	66	B68B
32-160/05/S	50	32	80	320	360	746	540	800	130	60	232	160	392	M16	66	B68B
32-200/05/S	50	32	80	320	360	746	540	800	130	60	260	180	440	M16	73	B68B
32-200/07/X	50	32	80	320	360	714	540	800	130	60	260	180	440	M16	76	B68B
32-200/11/P	50	32	80	350	390	791	600	900	150	60	260	180	440	M16	85	B68C
32-250/11/P	50	32	100	400	450	811	660	1000	170	75	280	225	505	M20	112	B68C
32-250/15/P	50	32	100	400	450	811	660	1000	170	75	280	225	505	M20	117	B68C
32-250/22/P	50	32	100	400	450	888	660	1000	170	75	280	225	505	M20	127	B80A
40-125/02A/S	65	40	80	320	360	704	540	800	130	60	212	140	352	M16	62	B68A
40-125/02/S	65	40	80	320	360	704	540	800	130	60	212	140	352	M16	62	B68A
40-125/03/S	65	40	80	320	360	704	540	800	130	60	212	140	352	M16	63	B68A
40-125/05/S	65	40	80	320	360	746	540	800	130	60	212	140	352	M16	66	B68B
40-160/05/S	65	40	80	320	360	746	540	800	130	60	232	160	392	M16	67	B68B
40-160/07/X	65	40	80	320	360	714	540	800	130	60	232	160	392	M16	70	B68B
40-160/11/P	65	40	80	350	390	791	600	900	150	60	232	160	392	M16	79	B68C
40-200/07/X	65	40	100	350	390	734	600	900	150	60	260	180	440	M16	81	B68B
40-200/11/P	65	40	100	350	390	811	600	900	150	60	260	180	440	M16	87	B68C
40-200/15A/P	65	40	100	350	390	811	600	900	150	60	260	180	440	M16	92	B68C
40-200/15/P	65	40	100	350	390	811	600	900	150	60	260	180	440	M16	92	B68C
40-250/15/P	65	40	100	400	450	811	660	1000	170	75	280	225	505	M20	118	B68C
40-250/22A/P	65	40	100	400	450	888	660	1000	170	75	280	225	505	M20	128	B80A
40-250/22/P	65	40	100	400	450	888	660	1000	170	75	280	225	505	M20	128	B80A
40-250/30/P	65	40	100	400	450	888	660	1000	170	75	280	225	505	M20	133	B80A

NOTE: Pumps with flanges according to EN 1092-2 as standard.

Nscf32-40-4p50-en_a_td

Available ASME B16.5 version on request. For flanges dimensions see drawing.

NSCF 50, 65, 80 SERIES (MOUNTED ON BASE) DIMENSIONS AND WEIGHTS AT 50 Hz, 4 POLES

PUMP TYPE NSCF..4	DIMENSIONS (mm)													S FOR SCREWS	WEIGHT kg	COUPLING TYPE
	DNS	DND	a	b3	b2	L	L3	L1	L2	a1	h	h2	Hmax			
50-125/03/S	65	50	100	320	360	724	540	800	130	60	232	160	392	M16	66	B68A
50-125/05/S	65	50	100	320	360	766	540	800	130	60	232	160	392	M16	69	B68B
50-125/07/X	65	50	100	320	360	734	540	800	130	60	232	160	392	M16	72	B68B
50-125/11/P	65	50	100	350	390	811	600	900	150	60	232	160	392	M16	81	B68C
50-160/11A/P	65	50	100	350	390	811	600	900	150	60	260	180	440	M16	88	B68C
50-160/11/P	65	50	100	350	390	811	600	900	150	60	260	180	440	M16	88	B68C
50-160/15/P	65	50	100	350	390	811	600	900	150	60	260	180	440	M16	93	B68C
50-200/15/P	65	50	100	350	390	811	600	900	150	60	260	200	460	M16	94	B68C
50-200/22A/P	65	50	100	350	390	888	600	900	150	60	260	200	460	M16	104	B80A
50-200/22/P	65	50	100	350	390	888	600	900	150	60	260	200	460	M16	104	B80A
50-250/22/P	65	50	100	400	450	888	660	1000	170	75	280	225	505	M20	129	B80A
50-250/30/P	65	50	100	400	450	888	660	1000	170	75	280	225	505	M20	134	B80A
50-250/40/P	65	50	100	400	450	921	660	1000	170	75	280	225	505	M20	153	B80A
65-125/05/S	80	65	100	350	390	766	600	900	150	75	260	180	440	M16	83	B68B
65-125/07/X	80	65	100	350	390	734	600	900	150	75	260	180	440	M16	86	B68B
65-125/11/P	80	65	100	350	390	811	600	900	150	75	260	180	440	M16	92	B68C
65-125/15/P	80	65	100	350	390	811	600	900	150	75	260	180	440	M16	97	B68C
65-160/11/P	80	65	100	400	450	811	660	1000	170	75	260	200	460	M20	113	B68C
65-160/15/P	80	65	100	400	450	811	660	1000	170	75	260	200	460	M20	118	B68C
65-160/22A/P	80	65	100	400	450	888	660	1000	170	75	260	200	460	M20	128	B80A
65-160/22/P	80	65	100	400	450	888	660	1000	170	75	260	200	460	M20	128	B80A
65-200/15/P	80	65	100	400	450	811	660	1000	170	75	280	225	505	M20	121	B68C
65-200/22A/P	80	65	100	440	490	888	740	1120	190	75	280	225	505	M20	137	B80A
65-200/22/P	80	65	100	440	490	888	740	1120	190	75	280	225	505	M20	137	B80A
65-200/30/P	80	65	100	440	490	888	740	1120	190	75	280	225	505	M20	142	B80A
65-200/40/P	80	65	100	440	490	921	740	1120	190	75	280	225	505	M20	161	B80A
65-250/40/P	80	65	100	440	490	1031	740	1120	190	90	310	250	560	M20	180	B95C
65-250/55A/P	80	65	100	440	490	1058	740	1120	190	90	310	250	560	M20	189	B95D
65-250/55/P	80	65	100	440	490	1058	740	1120	190	90	310	250	560	M20	189	B95D
65-250/75/P	80	65	100	440	490	1058	740	1120	190	90	310	250	560	M20	193	B95D
80-160/15/P	100	80	125	400	450	836	660	1000	170	75	280	225	505	M20	124	B68C
80-160/22A/P	100	80	125	440	490	913	740	1120	190	75	280	225	505	M20	140	B80A
80-160/22/P	100	80	125	440	490	913	740	1120	190	75	280	225	505	M20	140	B80A
80-160/30/P	100	80	125	440	490	913	740	1120	190	75	280	225	505	M20	145	B80A
80-200/30/P	100	80	125	440	490	1023	740	1120	190	75	280	250	530	M20	162	B95C
80-200/40/P	100	80	125	440	490	1056	740	1120	190	75	280	250	530	M20	182	B95C
80-200/55A/P	100	80	125	440	490	1083	740	1120	190	75	280	250	530	M20	191	B95D
80-200/55/P	100	80	125	440	490	1083	740	1120	190	75	280	250	530	M20	191	B95D
80-250/55A/P	100	80	125	490	540	1083	840	1250	205	90	310	280	590	M20	200	B95D
80-250/55/P	100	80	125	490	540	1083	840	1250	205	90	310	280	590	M20	200	B95D
80-250/75/P	100	80	125	490	540	1083	840	1250	205	90	310	280	590	M20	204	B95D
80-250/110/P	100	80	125	490	540	1202	840	1250	205	90	310	280	590	M20	259	B95E

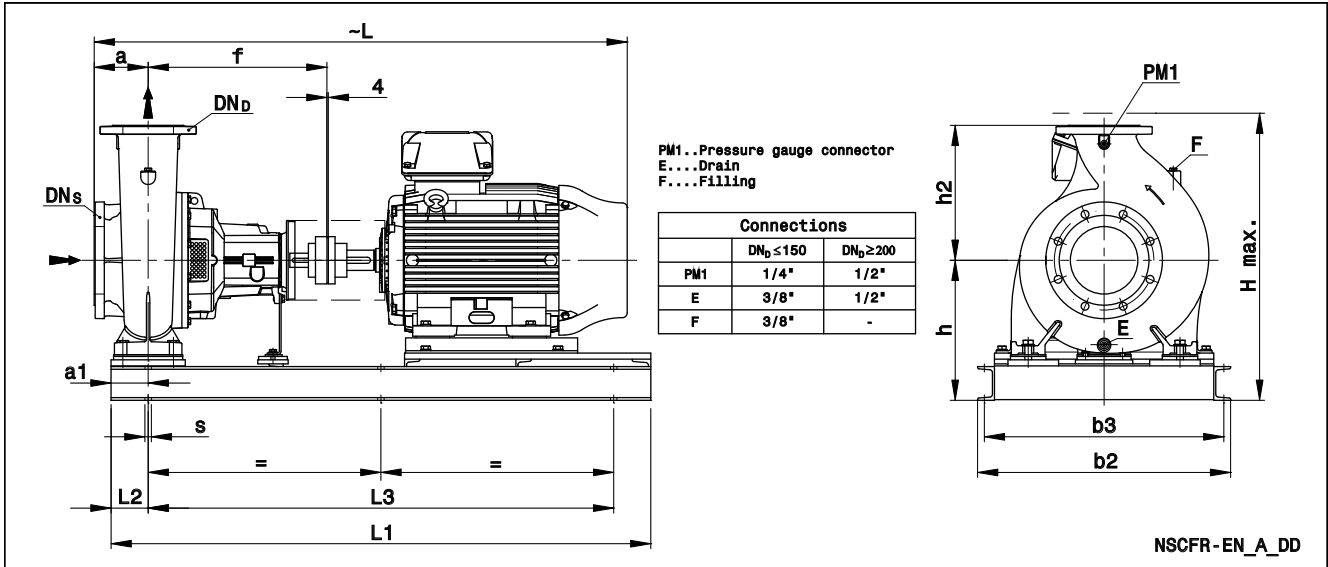
NOTE: Pumps with flanges according to EN 1092-2 as standard.

Nscf50-80-4p50-en_a_td

Available ASME B16.5 version on request. For flanges dimensions see drawing.

NOTE: for models NSCF 50-315, 65-315, 80-315, 80-400 consult the following pages.

NSCF 50, 65, 80, 100, 125 SERIES (MOUNTED ON BASE) DIMENSIONS AND WEIGHTS AT 50 Hz, 4 POLES



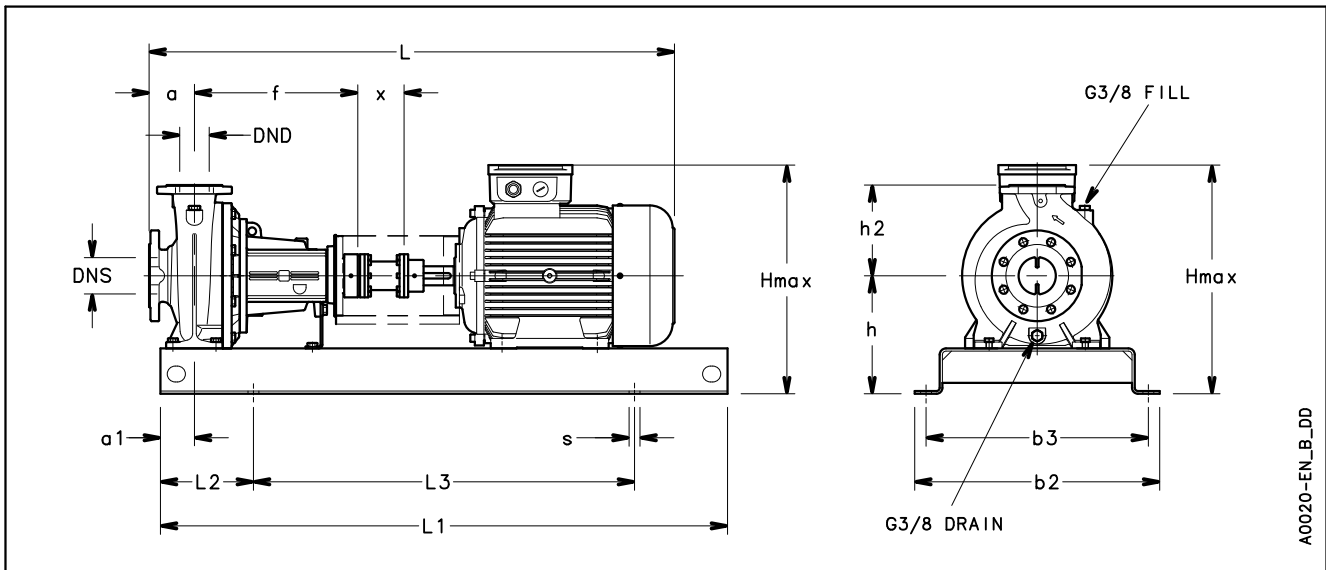
PUMP TYPE NSCF..4	DIMENSIONS (mm)														WEIGHT (kg) G	IEC MOTOR IEC	COUPLING TYPE	
	DN _S	DN _D	a	a1	f	b2	b3	L1	L3	L2	L	h	h2	hmax				s
50-315/40/P	65	50	125	110	470	670	630	1100	880	110	1057	365	280	645	6xØ19 (M16)	247	112	B95C
50-315/55/P	65	50	125	110	470	670	630	1100	880	110	1084	385	280	665	6xØ19 (M16)	258	132M	B95D
50-315/75/P	65	50	125	110	470	670	630	1100	880	110	1084	385	280	665	6xØ19 (M16)	258	132M	B95D
50-315/110/P	65	50	125	110	470	670	630	1330	1110	110	1203	365	280	645	6xØ19 (M16)	290	160L	B95E
65-315/55/P	80	65	125	110	470	670	630	1100	880	110	1084	385	280	665	6xØ19 (M16)	265	132M	B95D
65-315/75/P	80	65	125	110	470	670	630	1100	880	110	1084	385	280	665	6xØ19 (M16)	265	132M	B95D
65-315/110/P	80	65	125	110	470	670	630	1330	1110	110	1203	365	280	645	6xØ19 (M16)	298	160L	B95E
65-315/150/P	80	65	125	110	470	670	630	1330	1110	110	1203	365	280	645	6xØ19 (M16)	342	160L	B110E
80-315/110A/P	100	80	125	110	470	670	630	1330	1110	110	1203	365	315	680	6xØ19 (M16)	306	160L	B95E
80-315/110/P	100	80	125	110	470	670	630	1330	1110	110	1203	365	315	680	6xØ19 (M16)	306	160L	B95E
80-315/150/P	100	80	125	110	470	670	630	1330	1110	110	1203	365	315	680	6xØ19 (M16)	351	160L	B110E
80-315/185/W	100	80	125	110	470	670	630	1330	1110	110	1263	385	315	700	6xØ19 (M16)	410	180M	B110B
80-315/220/W	100	80	125	110	470	670	630	1330	1110	110	1301	385	315	700	6xØ19 (M16)	428	180L	B110B
80-400/185/W	100	80	125	110	530	670	630	1430	1210	110	1323	400	355	755	6xØ19 (M16)	443	180M	B110D
80-400/220/W	100	80	125	110	530	670	630	1430	1210	110	1361	400	355	755	6xØ19 (M16)	461	180L	B110D
80-400/300/W	100	80	125	110	530	670	630	1430	1210	110	1426	420	355	775	6xØ19 (M16)	514	200L	B125C
80-400/370/W	100	80	125	110	530	750	710	1600	1380	110	1545	415	355	799	6xØ19 (M16)	703	225S/M	B140B
100-160/22A/P	125	100	125	110	470	670	630	1100	880	110	1024	355	280	635	6xØ19 (M16)	217	100	B95C
100-160/22/P	125	100	125	110	470	670	630	1100	880	110	1024	355	280	635	6xØ19 (M16)	217	100	B95C
100-160/30/P	125	100	125	110	470	670	630	1100	880	110	1024	355	280	635	6xØ19 (M16)	220	100	B95C
100-160/40/P	125	100	125	110	470	670	630	1100	880	110	1057	365	280	645	6xØ19 (M16)	241	112	B95C
100-200/40/P	125	100	125	110	470	670	630	1100	880	110	1057	365	280	645	6xØ19 (M16)	249	112	B95C
100-200/55/P	125	100	125	110	470	670	630	1100	880	110	1084	385	280	665	6xØ19 (M16)	261	132M	B95D
100-200/75/P	125	100	125	110	470	670	630	1100	880	110	1084	385	280	665	6xØ19 (M16)	261	132M	B95D
100-250/55/P	125	100	140	110	470	670	630	1100	880	110	1099	385	280	665	6xØ19 (M16)	263	132M	B95D
100-250/75/P	125	100	140	110	470	670	630	1100	880	110	1099	385	280	665	6xØ19 (M16)	263	132M	B95D
100-250/110/P	125	100	140	110	470	670	630	1330	1110	110	1218	365	280	645	6xØ19 (M16)	296	160L	B95E
100-315/110/P	125	100	140	110	470	670	630	1330	1110	110	1218	365	315	680	6xØ19 (M16)	304	160L	B95E
100-315/150/P	125	100	140	110	470	670	630	1330	1110	110	1218	365	315	680	6xØ19 (M16)	349	160L	B110E
100-315/185/W	125	100	140	110	470	670	630	1330	1110	110	1278	385	315	700	6xØ19 (M16)	408	180M	B110B
100-315/220/W	125	100	140	110	470	670	630	1330	1110	110	1316	385	315	700	6xØ19 (M16)	426	180L	B110B
100-315/300/W	125	100	140	110	470	560	520	1350	1130	110	1381	355	315	672	6xØ19 (M16)	454	200L	B125B
100-400/300/W	125	100	140	110	530	670	630	1430	1210	110	1441	420	355	775	6xØ19 (M16)	543	200L	B125C
100-400/370/W	125	100	140	110	530	750	710	1600	1380	110	1560	415	355	799	6xØ19 (M16)	729	225S/M	B140B
100-400/450/W	125	100	140	110	530	750	710	1600	1380	110	1560	415	355	799	6xØ19 (M16)	757	225S/M	B140B
125-200/55/P	150	125	140	110	470	670	630	1100	880	110	1099	385	315	700	6xØ19 (M16)	268	132M	B95D
125-200/75/P	150	125	140	110	470	670	630	1100	880	110	1099	385	315	700	6xØ19 (M16)	268	132M	B95D
125-200/110/P	150	125	140	110	470	670	630	1330	1110	110	1218	365	315	680	6xØ19 (M16)	300	160L	B95E
125-250/75/P	150	125	140	110	470	670	630	1100	880	110	1099	385	355	740	6xØ19 (M16)	268	132M	B95D
125-250/110/P	150	125	140	110	470	670	630	1330	1110	110	1218	365	355	720	6xØ19 (M16)	300	160L	B95E
125-250/150/P	150	125	140	110	470	670	630	1330	1110	110	1218	365	355	720	6xØ19 (M16)	345	160L	B110E
125-315/185/W	150	125	140	110	530	670	630	1430	1210	110	1338	400	355	755	6xØ19 (M16)	444	180M	B110D
125-315/220/W	150	125	140	110	530	670	630	1430	1210	110	1376	400	355	755	6xØ19 (M16)	462	180L	B110D
125-315/300/W	150	125	140	110	530	670	630	1430	1210	110	1441	420	355	775	6xØ19 (M16)	517	200L	B125C
125-315/370/W	150	125	140	110	530	750	710	1600	1380	110	1560	415	355	799	6xØ19 (M16)	703	225S/M	B140B
125-400/370/W	150	125	140	110	530	750	710	1600	1380	110	1560	440	400	840	6xØ19 (M16)	753	225S/M	B140B
125-400/450/W	150	125	140	110	530	750	710	1600	1380	110	1560	440	400	840	6xØ19 (M16)	781	225S/M	B140B
125-400/550/W	150	125	140	110	530	750	710	1600	1380	110	1639	440	400	842	6xØ19 (M16)	865	250M	B160B
125-400/750/W	150	125	140	110	530	750	710	1600	1380	110	1745	440	400	912	6xØ19 (M16)	1075	280S/M	B180B

NOTE: Pumps with flanges according to EN 1092-2 as standard; available ASME B16.5 version on request. For flanges dimensions see drawing.

Nscf1-4p50-en_c_td

NOTE: for models NSCF 50-125, 50-160, 50-200, 50-250, 65-125, 65-160, 65-200, 65-250, 80-160, 80-200, 80-250 consult the previous pages.

NSCC 32, 40 SERIES (SPACER COUPLING) DIMENSIONS AND WEIGHTS AT 50 Hz, 2 POLES



PUMP TYPE NSCC..2	DIMENSIONS (mm)															S FOR SCREWS	WEIGHT kg	COUPLING TYPE
	DNS	DND	a	b3	b2	L	L3	L1	L2	a1	h	h2	Hmax	f	x			
32-125/11/S	50	32	80	320	360	843	540	800	130	60	212	140	352	360	100	M16	68	H80A
32-125/15/P	50	32	80	350	390	888	600	900	150	60	212	140	352	360	100	M16	78	H80B
32-125/22/P	50	32	80	350	390	888	600	900	150	60	212	140	352	360	100	M16	80	H80B
32-125/30/P	50	32	80	350	390	919	600	900	150	60	212	140	366	360	100	M16	87	H80C
32-160/22/P	50	32	80	350	390	888	600	900	150	60	232	160	392	360	100	M16	81	H80B
32-160/30/P	50	32	80	350	390	919	600	900	150	60	232	160	392	360	100	M16	88	H80C
32-160/40/P	50	32	80	350	390	922	600	900	150	60	232	160	400	360	100	M16	93	H80C
32-160/55/P	50	32	80	400	450	987	660	1000	170	60	232	160	423	360	100	M20	122	H95A
32-200/40/P	50	32	80	350	390	922	600	900	150	60	260	180	440	360	100	M16	100	H80C
32-200/55/P	50	32	80	400	450	987	660	1000	170	60	260	180	451	360	100	M20	129	H95A
32-200/75/P	50	32	80	400	450	987	660	1000	170	60	260	180	451	360	100	M20	133	H95A
32-250/110A/P	50	32	100	490	540	1164	840	1250	205	75	280	225	520	360	100	M20	190	H95B
32-250/110/P	50	32	100	490	540	1164	840	1250	205	75	280	225	520	360	100	M20	190	H95B
32-250/150/P	50	32	100	490	540	1164	840	1250	205	75	280	225	520	360	100	M20	207	H95B
40-125/15/P	65	40	80	350	390	888	600	900	150	60	212	140	352	360	100	M16	79	H80B
40-125/22/P	65	40	80	350	390	888	600	900	150	60	212	140	352	360	100	M16	81	H80B
40-125/30/P	65	40	80	350	390	919	600	900	150	60	212	140	366	360	100	M16	88	H80C
40-125/40/P	65	40	80	350	390	922	600	900	150	60	212	140	380	360	100	M16	93	H80C
40-160/40/P	65	40	80	350	390	922	600	900	150	60	232	160	400	360	100	M16	94	H80C
40-160/55/P	65	40	80	400	450	987	660	1000	170	60	232	160	423	360	100	M20	123	H95A
40-160/75/P	65	40	80	400	450	987	660	1000	170	60	232	160	423	360	100	M20	127	H95A
40-200/55/P	65	40	100	400	450	1007	660	1000	170	60	260	180	451	360	100	M20	131	H95A
40-200/75/P	65	40	100	400	450	1007	660	1000	170	60	260	180	451	360	100	M20	135	H95A
40-200/110A/P	65	40	100	440	490	1164	740	1120	190	60	260	180	500	360	100	M20	164	H95B
40-200/110/P	65	40	100	440	490	1164	740	1120	190	60	260	180	500	360	100	M20	164	H95B
40-250/110/P	65	40	100	490	540	1164	840	1250	205	75	280	225	520	360	100	M20	191	H95B
40-250/150/P	65	40	100	490	540	1164	840	1250	205	75	280	225	520	360	100	M20	208	H95B
40-250/185/P	65	40	100	490	540	1164	840	1250	205	75	280	225	520	360	100	M20	221	H95B
40-250/220/W	65	40	100	490	540	1224	840	1250	205	75	280	225	559	360	100	M20	288	H110A

NOTE: Pumps with flanges according to EN 1092-2 as standard.

Nscc32-40-2p50-en_a_td

Available ASME B16.5 version on request. For flanges dimensions see drawing.

NSCC 50, 65, 80 SERIES (SPACER COUPLING) DIMENSIONS AND WEIGHTS AT 50 Hz, 2 POLES

PUMP TYPE NSCC..2	DIMENSIONS (mm)															S FOR SCREWS	WEIGHT kg	COUPLING TYPE
	DNS	DND	a	b3	b2	L	L3	L1	L2	a1	h	h2	Hmax	f	x			
50-125/30/P	65	50	100	350	390	939	600	900	150	60	232	160	392	360	100	M16	91	H80C
50-125/40/P	65	50	100	350	390	942	600	900	150	60	232	160	400	360	100	M16	96	H80C
50-125/55/P	65	50	100	400	450	1007	660	1000	170	60	232	160	423	360	100	M20	125	H95A
50-125/75/P	65	50	100	400	450	1007	660	1000	170	60	232	160	423	360	100	M20	129	H95A
50-160/75/P	65	50	100	400	450	1007	660	1000	170	60	260	180	451	360	100	M20	136	H95A
50-160/110A/P	65	50	100	440	490	1164	740	1120	190	60	260	180	500	360	100	M20	165	H95B
50-160/110/P	65	50	100	440	490	1164	740	1120	190	60	260	180	500	360	100	M20	165	H95B
50-200/110/P	65	50	100	440	490	1164	740	1120	190	60	260	200	500	360	100	M20	166	H95B
50-200/150/P	65	50	100	440	490	1164	740	1120	190	60	260	200	500	360	100	M20	183	H95B
50-200/185/P	65	50	100	440	490	1164	740	1120	190	60	260	200	500	360	100	M20	196	H95B
50-250/185/P	65	50	100	490	540	1164	840	1250	205	75	280	225	520	360	100	M20	222	H95B
50-250/220/W	65	50	100	490	540	1124	840	1250	205	75	280	225	559	360	100	M20	289	H110A
50-250/300/W	65	50	100	550	610	1327	940	1400	230	75	310	225	627	360	100	M24	371	H125A
65-125/40/P	80	65	100	350	390	942	600	900	150	75	260	180	440	360	100	M16	107	H80C
65-125/55/P	80	65	100	400	450	1007	660	1000	170	75	260	180	451	360	100	M20	136	H95A
65-125/75/P	80	65	100	400	450	1007	660	1000	170	75	260	180	451	360	100	M20	140	H95A
65-125/110A/P	80	65	100	440	490	1164	740	1120	190	75	260	180	500	360	100	M20	170	H95B
65-125/110/P	80	65	100	440	490	1164	740	1120	190	75	260	180	500	360	100	M20	170	H95B
65-160/110A/P	80	65	100	490	540	1164	840	1250	205	75	260	200	500	360	100	M20	191	H95B
65-160/110/P	80	65	100	490	540	1164	840	1250	205	75	260	200	500	360	100	M20	191	H95B
65-160/150/P	80	65	100	490	540	1164	840	1250	205	75	260	200	500	360	100	M20	208	H95B
65-160/185/P	80	65	100	490	540	1164	840	1250	205	75	260	200	500	360	100	M20	221	H95B
65-200/110/P	80	65	100	490	540	1204	840	1250	205	75	280	225	520	360	140	M20	194	H95G
65-200/150/P	80	65	100	490	540	1204	840	1250	205	75	280	225	520	360	140	M20	211	H95G
65-200/185/P	80	65	100	490	540	1204	840	1250	205	75	280	225	520	360	140	M20	224	H95G
65-200/220/W	80	65	100	490	540	1264	840	1250	205	75	280	225	559	360	140	M20	291	H110D
65-200/300/W	80	65	100	550	610	1367	940	1400	230	75	310	225	627	360	140	M24	373	H125G
65-250/300/W	80	65	100	550	610	1477	940	1400	230	90	310	250	627	470	140	M24	391	H125C
65-250/370/W	80	65	100	550	610	1477	940	1400	230	90	310	250	627	470	140	M24	412	H125C
65-250/450/W	80	65	100	550	610	1566	940	1400	230	90	365	250	719	470	140	M24	563	H125C
65-250/550/W	80	65	100	600	660	1675	1060	1600	270	90	390	250	792	470	140	M24	672	H140A
80-160/110/P	100	80	125	490	540	1229	840	1250	205	75	280	225	520	360	140	M20	197	H95G
80-160/150/P	100	80	125	490	540	1229	840	1250	205	75	280	225	520	360	140	M20	214	H95G
80-160/185/P	100	80	125	490	540	1229	840	1250	205	75	280	225	520	360	140	M20	227	H95G
80-160/220/W	100	80	125	490	540	1289	840	1250	205	75	280	225	559	360	140	M20	294	H110D
80-200/220/W	100	80	125	490	540	1399	840	1250	205	75	280	250	559	470	140	M20	311	H110B
80-200/300/W	100	80	125	550	610	1502	940	1400	230	75	310	250	627	470	140	M24	393	H125C
80-200/370/W	100	80	125	550	610	1502	940	1400	230	75	310	250	627	470	140	M24	414	H125C
80-200/450/W	100	80	125	550	610	1591	940	1400	230	75	365	250	749	470	140	M24	565	H125C
80-250/370/W	100	80	125	550	610	1502	940	1400	230	90	310	280	627	470	140	M24	417	H125C
80-250/450/W	100	80	125	550	610	1591	940	1400	230	90	365	280	749	470	140	M24	568	H125C
80-250/550/W	100	80	125	600	660	1700	1060	1600	270	90	390	280	792	470	140	M24	677	H140A
80-250/750/W	100	80	125	670	730	1806	1200	1800	300	90	420	280	892	470	140	M24	945	H160A

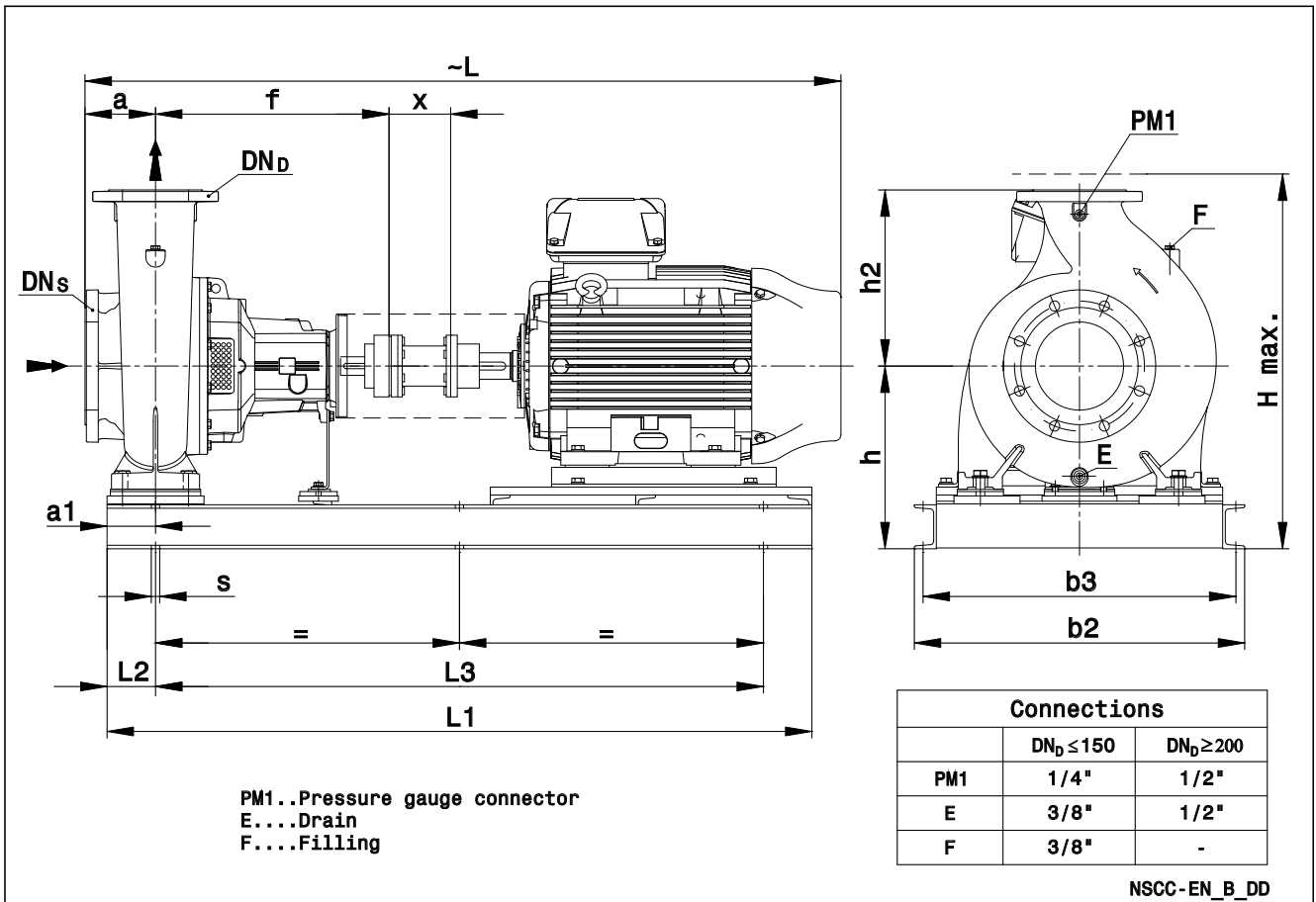
NOTE: Pumps with flanges according to EN 1092-2 as standard.

Nscc50-80-2p50-en_a_td

Available ASME B16.5 version on request. For flanges dimensions see drawing.

NOTE: for models NSCC 50-315, 65-315, 80-316 consult the following pages.

**NSCC 50, 65, 80, 100, 125 SERIES (SPACER COUPLING)
DIMENSIONS AND WEIGHTS AT 50 Hz, 2 POLES**



NSCC 50, 65, 80, 100, 125 SERIES (SPACER COUPLING) DIMENSIONS AND WEIGHTS AT 50 Hz, 2 POLES

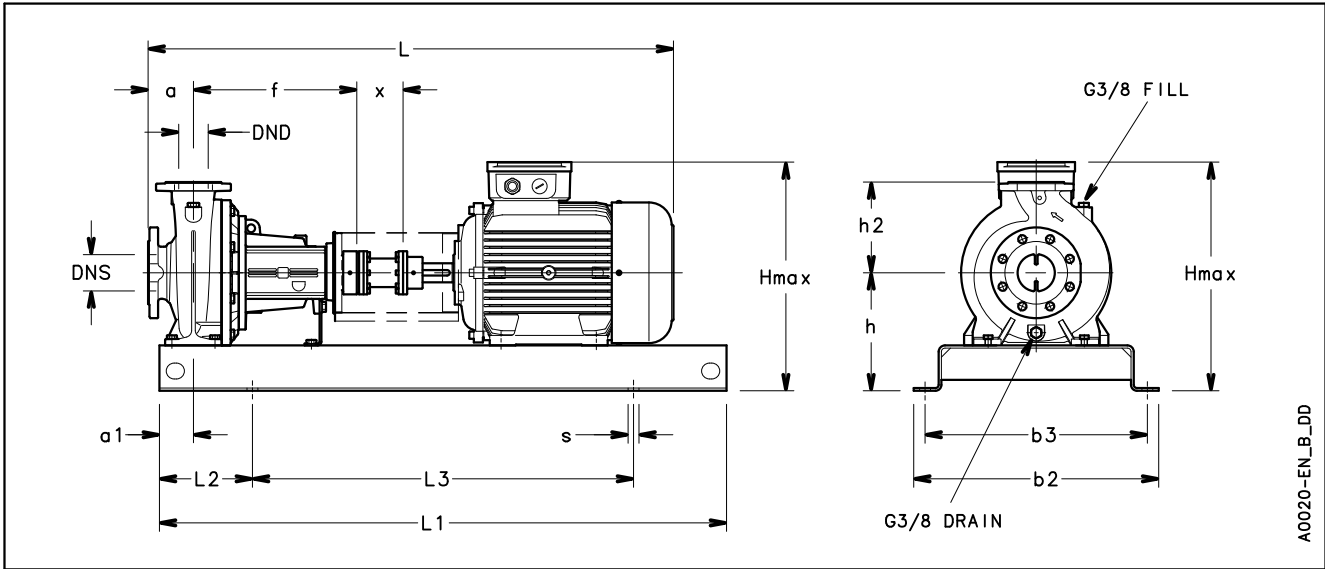
PUMP TYPE NSCC..2	DIMENSIONS (mm)																WEIGHT (kg) G	IEC MOTOR FRAME	COUPLING TYPE
	DNS	DND	a	a1	f	x	b2	b3	L1	L3	L2	L	h	h2	Hmax	s			
50-315/370/W	65	50	125	110	470	140	560	520	1350	1130	110	1502	355	280	672	6xØ19 (M16)	466	200L	H125C
50-315/450/W	65	50	125	110	470	140	560	520	1350	1130	110	1591	355	280	739	6xØ19 (M16)	611	225S/M	H125C
50-315/550/W	65	50	125	110	470	140	750	710	1550	1330	110	1700	405	280	807	6xØ19 (M16)	738	250M	H140A
50-315/750/W	65	50	125	110	470	140	750	710	1550	1330	110	1806	405	280	877	6xØ19 (M16)	967	280S/M	H160A
65-315/550/W	80	65	125	110	470	140	750	710	1550	1330	110	1700	405	280	807	6xØ19 (M16)	746	250M	H140A
65-315/750/W	80	65	125	110	470	140	750	710	1550	1330	110	1806	390	280	862	6xØ19 (M16)	964	280S/M	H160A
65-315/900/W	80	65	125	110	470	140	750	710	1550	1330	110	1806	390	280	862	6xØ19 (M16)	999	280S/M	H160A
80-316/900/W	100	80	125	110	530	140	750	710	1600	1380	110	1866	440	315	912	6xØ19 (M16)	1068	280S/M	H160B
80-316/1100/W	100	80	125	110	530	140	860	810	1850	1630	110	2039	505	315	1035	6xØ26 (M20)	1346	315S/M	H160B
80-316/1320/W	100	80	125	110	530	140	860	810	1850	1630	110	2039	505	315	1035	6xØ26 (M20)	1432	315S/M	H160B
80-316/1600/W	100	80	125	110	530	140	860	810	1850	1630	110	2039	505	315	1035	6xØ26 (M20)	1513	315S/M	H160B
100-160/150/P	125	100	125	110	470	140	670	630	1330	1110	110	1339	365	280	645	6xØ19 (M16)	307	160L	H95E
100-160/185/P	125	100	125	110	470	140	670	630	1330	1110	110	1339	365	280	645	6xØ19 (M16)	314	160L	H95E
100-160/220/W	125	100	125	110	470	140	670	630	1330	1110	110	1399	385	280	665	6xØ19 (M16)	388	180M	H110B
100-160/300/W	125	100	125	110	470	140	560	520	1350	1130	110	1502	330	280	647	6xØ19 (M16)	426	200L	H125C
100-200/300/W	125	100	125	110	470	140	560	520	1350	1130	110	1502	330	280	647	6xØ19 (M16)	434	200L	H125C
100-200/370/W	125	100	125	110	470	140	560	520	1350	1130	110	1502	330	280	647	6xØ19 (M16)	455	200L	H125C
100-200/450/W	125	100	125	110	470	140	560	520	1350	1130	110	1591	355	280	739	6xØ19 (M16)	613	225S/M	H125C
100-200/550/W	125	100	125	110	470	140	750	710	1550	1330	110	1700	405	280	807	6xØ19 (M16)	741	250M	H140A
100-250/450/W	125	100	140	110	470	140	560	520	1350	1130	110	1606	355	280	739	6xØ19 (M16)	616	225S/M	H125C
100-250/550/W	125	100	140	110	470	140	750	710	1550	1330	110	1715	405	280	807	6xØ19 (M16)	744	250M	H140A
100-250/750/W	125	100	140	110	470	140	750	710	1550	1330	110	1821	390	280	862	6xØ19 (M16)	962	280S/M	H160A
100-250/900/W	125	100	140	110	470	140	750	710	1550	1330	110	1821	390	280	862	6xØ19 (M16)	997	280S/M	H160A
100-316/1100/W	125	100	140	110	530	140	860	810	1850	1630	110	2054	505	315	1035	6xØ26 (M20)	1349	315S/M	H160B
100-316/1320/W	125	100	140	110	530	140	860	810	1850	1630	110	2054	505	315	1035	6xØ26 (M20)	1435	315S/M	H160B
100-316/1600/W	125	100	140	110	530	140	860	810	1850	1630	110	2054	505	315	1035	6xØ26 (M20)	1516	315S/M	H160B
125-200/450/W	150	125	140	110	470	140	560	520	1350	1130	110	1606	355	315	739	6xØ19 (M16)	621	225S/M	H125C
125-200/550/W	150	125	140	110	470	140	750	710	1550	1330	110	1715	405	315	807	6xØ19 (M16)	748	250M	H140A
125-200/750/W	150	125	140	110	470	140	750	710	1550	1330	110	1821	405	315	877	6xØ19 (M16)	977	280S/M	H160A
125-200/900/W	150	125	140	110	470	140	750	710	1550	1330	110	1821	405	315	877	6xØ19 (M16)	1012	280S/M	H160A
125-315/1100/W	150	125	140	110	530	140	860	810	1850	1630	110	2054	505	355	1035	6xØ26 (M20)	1351	315S/M	H160B
125-315/1320/W	150	125	140	110	530	140	860	810	1850	1630	110	2054	505	355	1035	6xØ26 (M20)	1437	315S/M	H160B
125-315/1600/W	150	125	140	110	530	140	860	810	1850	1630	110	2054	505	355	1035	6xØ26 (M20)	1518	315S/M	H160B
125-315/2000/W	150	125	140	110	530	140	860	810	1850	1630	110	2163	505	355	1080	6xØ26 (M20)	1699	315L	H180A

NOTE: Pumps with flanges according to EN 1092-2 as standard; available ASME B16.5 version on request. For flanges dimensions see drawing.

Nscc50-125_2p50-en_b_td

NOTE: for models NSCC 50-125, 50-160, 50-200, 50-250, 65-125, 65-160, 65-200, 65-250, 80-160, 80-200, 80-250 consult the previous pages.

NSCC 32, 40 SERIES (SPACER COUPLING) DIMENSIONS AND WEIGHTS AT 50 Hz, 4 POLES



PUMP TYPE NSCC..4	DIMENSIONS (mm)															S FOR SCREWS	WEIGHT kg	COUPLING TYPE
	DNS	DND	a	b3	b2	L	L3	L1	L2	a1	h	h2	Hmax	f	x			
32-125/02B/S	50	32	80	320	360	801	540	800	130	60	212	140	352	360	100	M16	64	H80D
32-125/02A/S	50	32	80	320	360	801	540	800	130	60	212	140	352	360	100	M16	64	H80D
32-125/02/S	50	32	80	320	360	801	540	800	130	60	212	140	352	360	100	M16	64	H80D
32-125/03/S	50	32	80	320	360	801	540	800	130	60	212	140	352	360	100	M16	65	H80D
32-160/02/S	50	32	80	320	360	801	540	800	130	60	232	160	392	360	100	M16	65	H80D
32-160/03/S	50	32	80	320	360	801	540	800	130	60	232	160	392	360	100	M16	66	H80D
32-160/05A/S	50	32	80	320	360	843	540	800	130	60	232	160	392	360	100	M16	69	H80A
32-160/05/S	50	32	80	320	360	843	540	800	130	60	232	160	392	360	100	M16	69	H80A
32-200/05/S	50	32	80	320	360	843	540	800	130	60	260	180	440	360	100	M16	76	H80A
32-200/07/X	50	32	80	320	360	811	540	800	130	60	260	180	440	360	100	M16	79	H80A
32-200/11/P	50	32	80	350	390	888	600	900	150	60	260	180	440	360	100	M16	88	H80B
32-250/11/P	50	32	100	400	450	908	660	1000	170	75	280	225	505	360	100	M20	115	H80B
32-250/15/P	50	32	100	400	450	908	660	1000	170	75	280	225	505	360	100	M20	120	H80B
32-250/22/P	50	32	100	400	450	985	660	1000	170	75	280	225	505	360	100	M20	130	H80C
40-125/02A/S	65	40	80	320	360	801	540	800	130	60	212	140	352	360	100	M16	65	H80D
40-125/02/S	65	40	80	320	360	801	540	800	130	60	212	140	352	360	100	M16	65	H80D
40-125/03/S	65	40	80	320	360	801	540	800	130	60	212	140	352	360	100	M16	66	H80D
40-125/05/S	65	40	80	320	360	843	540	800	130	60	212	140	352	360	100	M16	69	H80A
40-160/05/S	65	40	80	320	360	843	540	800	130	60	232	160	392	360	100	M16	70	H80A
40-160/07/X	65	40	80	320	360	811	540	800	130	60	232	160	392	360	100	M16	73	H80A
40-160/11/P	65	40	80	350	390	888	600	900	150	60	232	160	392	360	100	M16	82	H80B
40-200/07/X	65	40	100	350	390	831	600	900	150	60	260	180	440	360	100	M16	84	H80A
40-200/11/P	65	40	100	350	390	908	600	900	150	60	260	180	440	360	100	M16	90	H80B
40-200/15A/P	65	40	100	350	390	908	600	900	150	60	260	180	440	360	100	M16	95	H80B
40-200/15/P	65	40	100	350	390	908	600	900	150	60	260	180	440	360	100	M16	95	H80B
40-250/15/P	65	40	100	400	450	908	660	1000	170	75	280	225	505	360	100	M20	121	H80B
40-250/22A/P	65	40	100	400	450	985	660	1000	170	75	280	225	505	360	100	M20	131	H80C
40-250/22/P	65	40	100	400	450	985	660	1000	170	75	280	225	505	360	100	M20	131	H80C
40-250/30/P	65	40	100	400	450	985	660	1000	170	75	280	225	505	360	100	M20	136	H80C

NOTE: Pumps with flanges according to EN 1092-2 as standard.

Nscc32-40-4p5-en0_a_td

Available ASME B16.5 version on request. For flanges dimensions see drawing.

NSCC 50, 65, 80 SERIES (SPACER COUPLING) DIMENSIONS AND WEIGHTS AT 50 Hz, 4 POLES

PUMP TYPE NSCC..4	DIMENSIONS (mm)															s FOR SCREWS	WEIGHT kg	COUPLING TYPE
	DNS	DND	a	b3	b2	L	L3	L1	L2	a1	h	h2	Hmax	f	x			
50-125/03/S	65	50	100	320	360	821	540	800	130	60	232	160	392	360	100	M16	69	H80D
50-125/05/S	65	50	100	320	360	863	540	800	130	60	232	160	392	360	100	M16	72	H80A
50-125/07/X	65	50	100	320	360	831	540	800	130	60	232	160	392	360	100	M16	75	H80A
50-125/11/P	65	50	100	350	390	908	600	900	150	60	232	160	392	360	100	M16	84	H80B
50-160/11A/P	65	50	100	350	390	908	600	900	150	60	260	180	440	360	100	M16	91	H80B
50-160/11/P	65	50	100	350	390	908	600	900	150	60	260	180	440	360	100	M16	91	H80B
50-160/15/P	65	50	100	350	390	908	600	900	150	60	260	180	440	360	100	M16	96	H80B
50-200/15/P	65	50	100	350	390	908	600	900	150	60	260	200	460	360	100	M16	97	H80B
50-200/22A/P	65	50	100	350	390	985	600	900	150	60	260	200	460	360	100	M16	107	H80C
50-200/22/P	65	50	100	350	390	985	600	900	150	60	260	200	460	360	100	M16	107	H80C
50-250/22/P	65	50	100	400	450	985	660	1000	170	75	280	225	505	360	100	M20	132	H80C
50-250/30/P	65	50	100	400	450	985	660	1000	170	75	280	225	505	360	100	M20	137	H80C
50-250/40/P	65	50	100	400	450	1018	660	1000	170	75	280	225	505	360	100	M20	156	H80C
65-125/05/S	80	65	100	350	390	863	600	900	150	75	260	180	440	360	100	M16	86	H80A
65-125/07/X	80	65	100	350	390	831	600	900	150	75	260	180	440	360	100	M16	89	H80A
65-125/11/P	80	65	100	350	390	908	600	900	150	75	260	180	440	360	100	M16	95	H80B
65-125/15/P	80	65	100	350	390	908	600	900	150	75	260	180	440	360	100	M16	100	H80B
65-160/11/P	80	65	100	400	450	908	660	1000	170	75	260	200	460	360	100	M20	116	H80B
65-160/15/P	80	65	100	400	450	908	660	1000	170	75	260	200	460	360	100	M20	121	H80B
65-160/22A/P	80	65	100	400	450	985	660	1000	170	75	260	200	460	360	100	M20	131	H80C
65-160/22/P	80	65	100	400	450	985	660	1000	170	75	260	200	460	360	100	M20	131	H80C
65-200/15/P	80	65	100	400	450	948	660	1000	170	75	280	225	505	360	140	M20	124	H80E
65-200/22A/P	80	65	100	440	490	1025	740	1120	190	75	280	225	505	360	140	M20	140	H80F
65-200/22/P	80	65	100	440	490	1025	740	1120	190	75	280	225	505	360	140	M20	140	H80F
65-200/30/P	80	65	100	440	490	1025	740	1120	190	75	280	225	505	360	140	M20	145	H80F
65-200/40/P	80	65	100	440	490	1058	740	1120	190	75	280	225	505	360	140	M20	164	H80F
65-250/40/P	80	65	100	440	490	1168	740	1120	190	90	310	250	560	470	140	M20	183	H80G
65-250/55A/P	80	65	100	440	490	1195	740	1120	190	90	310	250	560	470	140	M20	192	H95C
65-250/55/P	80	65	100	440	490	1195	740	1120	190	90	310	250	560	470	140	M20	192	H95C
65-250/75/P	80	65	100	440	490	1195	740	1120	190	90	310	250	560	470	140	M20	196	H95C
80-160/15/P	100	80	125	400	450	973	660	1000	170	75	280	225	505	360	140	M20	127	H80E
80-160/22A/P	100	80	125	440	490	1050	740	1120	190	75	280	225	505	360	140	M20	143	H80F
80-160/22/P	100	80	125	440	490	1050	740	1120	190	75	280	225	505	360	140	M20	143	H80F
80-160/30/P	100	80	125	440	490	1050	740	1120	190	75	280	225	505	360	140	M20	148	H80F
80-200/30/P	100	80	125	440	490	1160	740	1120	190	75	280	250	530	470	140	M20	165	H80G
80-200/40/P	100	80	125	440	490	1193	740	1120	190	75	280	250	530	470	140	M20	185	H80G
80-200/55A/P	100	80	125	440	490	1220	740	1120	190	75	280	250	530	470	140	M20	194	H95C
80-200/55/P	100	80	125	440	490	1220	740	1120	190	75	280	250	530	470	140	M20	194	H95C
80-250/55A/P	100	80	125	490	540	1220	840	1250	205	90	310	280	590	470	140	M20	203	H95C
80-250/55/P	100	80	125	490	540	1220	840	1250	205	90	310	280	590	470	140	M20	203	H95C
80-250/75/P	100	80	125	490	540	1220	840	1250	205	90	310	280	590	470	140	M20	207	H95C
80-250/110/P	100	80	125	490	540	1339	840	1250	205	90	310	280	590	470	140	M20	262	H95E

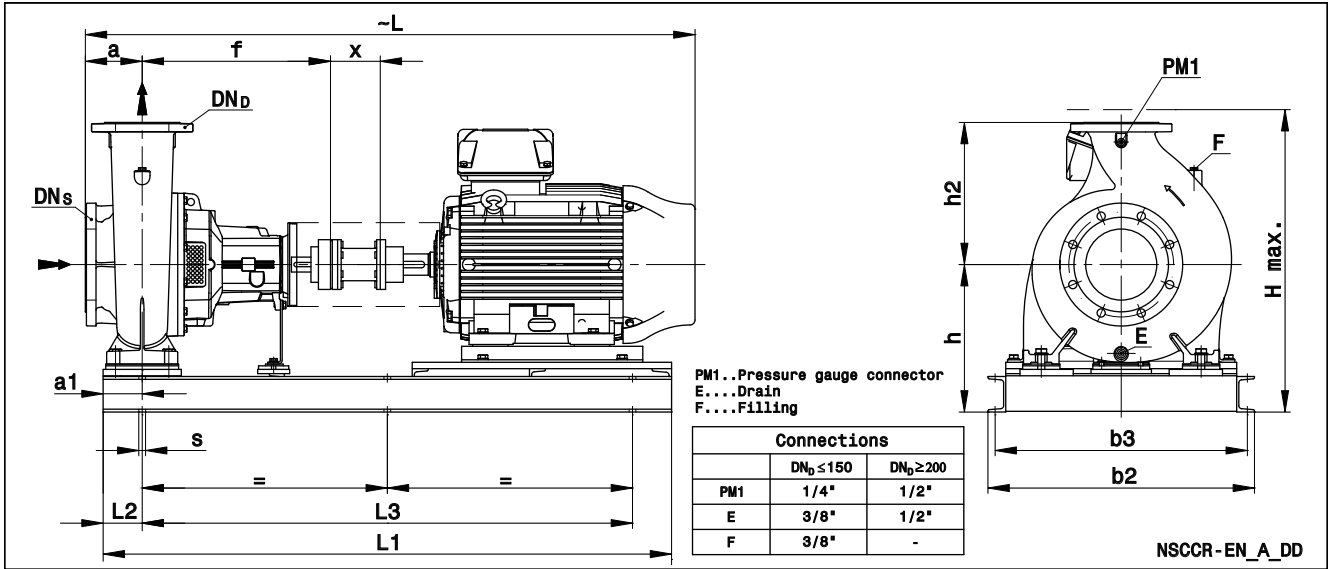
NOTE: Pumps with flanges according to EN 1092-2 as standard.

Nscc50-80-4p50-en_a_td

Available ASME B16.5 version on request. For flanges dimensions see drawing.

NOTE: for models NSCC 50-315, 65-315, 80-316 consult the following pages.

NSCC 50, 65, 80, 100, 125 SERIES (SPACER COUPLING) DIMENSIONS AND WEIGHTS AT 50 Hz, 4 POLES



PUMP TYPE NSCC..4	DIMENSIONS (mm)															WEIGHT (kg)	IEC MOTOR FRAME	COUPLING TYPE	
	DN _S	DN _D	a	a1	f	x	b2	b3	L1	L3	L2	L	h	h2	Hmax				s
50-315/40/P	65	50	125	110	470	140	670	630	1100	880	110	1193	365	280	645	6xØ19 (M16)	248,85	112	H95C
50-315/55/P	65	50	125	110	470	140	670	630	1100	880	110	1220	385	280	665	6xØ19 (M16)	259,89	132M	H95D
50-315/75/P	65	50	125	110	470	140	670	630	1100	880	110	1220	385	280	665	6xØ19 (M16)	259,89	132M	H95D
50-315/110/P	65	50	125	110	470	140	670	630	1330	1110	110	1339	365	280	645	6xØ19 (M16)	292,76	160L	H95E
65-315/55/P	80	65	125	110	470	140	670	630	1100	880	110	1220	385	280	665	6xØ19 (M16)	267,2	132M	H95D
65-315/75/P	80	65	125	110	470	140	670	630	1100	880	110	1220	385	280	665	6xØ19 (M16)	267,2	132M	H95D
65-315/110/P	80	65	125	110	470	140	670	630	1330	1110	110	1339	365	280	645	6xØ19 (M16)	299,99	160L	H95E
65-315/150/P	80	65	125	110	470	140	670	630	1330	1110	110	1339	365	280	645	6xØ19 (M16)	345,59	160L	H110D
80-315/110A/P	100	80	125	110	470	140	670	630	1330	1110	110	1339	365	315	680	6xØ19 (M16)	308,8	160L	H95E
80-315/110/P	100	80	125	110	470	140	670	630	1330	1110	110	1339	365	315	680	6xØ19 (M16)	308,8	160L	H95E
80-315/150/P	100	80	125	110	470	140	670	630	1330	1110	110	1339	365	315	680	6xØ19 (M16)	354,4	160L	H110D
80-315/185/W	100	80	125	110	470	140	670	630	1330	1110	110	1399	385	315	700	6xØ19 (M16)	413,29	180M	H110B
80-315/220/W	100	80	125	110	470	140	670	630	1330	1110	110	1437	385	315	700	6xØ19 (M16)	431,29	180L	H110B
80-400/185/W	100	80	125	110	530	140	670	630	1430	1210	110	1459	400	355	755	6xØ19 (M16)	445,91	180M	H110C
80-400/220/W	100	80	125	110	530	140	670	630	1430	1210	110	1497	400	355	755	6xØ19 (M16)	463,91	180L	H110C
80-400/300/W	100	80	125	110	530	140	670	630	1430	1210	110	1562	420	355	775	6xØ19 (M16)	517,54	200L	H125D
80-400/370/W	100	80	125	110	530	140	750	710	1600	1380	110	1681	415	355	799	6xØ19 (M16)	708,37	225S/M	H140B
100-160/22A/P	125	100	125	110	470	140	670	630	1100	880	110	1160	355	280	635	6xØ19 (M16)	219	100	H95C
100-160/22/P	125	100	125	110	470	140	670	630	1100	880	110	1160	355	280	635	6xØ19 (M16)	219	100	H95C
100-160/30/P	125	100	125	110	470	140	670	630	1100	880	110	1160	355	280	635	6xØ19 (M16)	222	100	H95C
100-160/40/P	125	100	125	110	470	140	670	630	1100	880	110	1193	365	280	645	6xØ19 (M16)	243	112	H95C
100-200/40/P	125	100	125	110	470	140	670	630	1100	880	110	1193	365	280	645	6xØ19 (M16)	251	112	H95C
100-200/55/P	125	100	125	110	470	140	670	630	1100	880	110	1220	385	280	665	6xØ19 (M16)	262	132M	H95D
100-200/75/P	125	100	125	110	470	140	670	630	1100	880	110	1220	385	280	665	6xØ19 (M16)	262	132M	H95D
100-250/55/P	125	100	140	110	470	140	670	630	1100	880	110	1235	385	280	665	6xØ19 (M16)	265	132M	H95D
100-250/75/P	125	100	140	110	470	140	670	630	1100	880	110	1235	385	280	665	6xØ19 (M16)	265	132M	H95D
100-250/110/P	125	100	140	110	470	140	670	630	1330	1110	110	1354	365	280	645	6xØ19 (M16)	298	160L	H95E
100-315/110/P	125	100	140	110	470	140	670	630	1330	1110	110	1354	365	315	680	6xØ19 (M16)	307	160L	H95E
100-315/150/P	125	100	140	110	470	140	670	630	1330	1110	110	1354	365	315	680	6xØ19 (M16)	352	160L	H110D
100-315/185/W	125	100	140	110	470	140	670	630	1330	1110	110	1414	385	315	700	6xØ19 (M16)	411	180M	H110B
100-315/220/W	125	100	140	110	470	140	670	630	1330	1110	110	1452	385	315	700	6xØ19 (M16)	429	180L	H110B
100-315/300/W	125	100	140	110	470	140	560	520	1350	1130	110	1517	355	315	672	6xØ19 (M16)	458	200L	H125C
100-400/300/W	125	100	140	110	530	140	670	630	1430	1210	110	1577	420	355	775	6xØ19 (M16)	547	200L	H125D
100-400/370/W	125	100	140	110	530	140	750	710	1600	1380	110	1696	415	355	799	6xØ19 (M16)	734	225S/M	H140B
100-400/450/W	125	100	140	110	530	140	750	710	1600	1380	110	1696	415	355	799	6xØ19 (M16)	762	225S/M	H140B
125-200/55/P	150	125	140	110	470	140	670	630	1100	880	110	1235	385	315	700	6xØ19 (M16)	270	132M	H95D
125-200/75/P	150	125	140	110	470	140	670	630	1100	880	110	1235	385	315	700	6xØ19 (M16)	270	132M	H95D
125-200/110/P	150	125	140	110	470	140	670	630	1330	1110	110	1354	365	315	680	6xØ19 (M16)	303	160L	H95E
125-250/75/P	150	125	140	110	470	140	670	630	1100	880	110	1235	385	355	740	6xØ19 (M16)	270	132M	H95D
125-250/110/P	150	125	140	110	470	140	670	630	1330	1110	110	1354	365	355	720	6xØ19 (M16)	303	160L	H95E
125-250/150/P	150	125	140	110	470	140	670	630	1330	1110	110	1354	365	355	720	6xØ19 (M16)	348	160L	H110D
125-315/185/W	150	125	140	110	530	140	670	630	1430	1210	110	1474	400	355	755	6xØ19 (M16)	447	180M	H110C
125-315/220/W	150	125	140	110	530	140	670	630	1430	1210	110	1512	400	355	755	6xØ19 (M16)	465	180L	H110C
125-315/300/W	150	125	140	110	530	140	670	630	1430	1210	110	1577	420	355	775	6xØ19 (M16)	521	200L	H125D
125-315/370/W	150	125	140	110	530	140	750	710	1600	1380	110	1696	415	355	799	6xØ19 (M16)	708	225S/M	H140B
125-400/370/W	150	125	140	110	530	140	750	710	1600	1380	110	1696	440	400	840	6xØ19 (M16)	759	225S/M	H140B
125-400/450/W	150	125	140	110	530	140	750	710	1600	1380	110	1696	440	400	840	6xØ19 (M16)	787	225S/M	H140B
125-400/550/W	150	125	140	110	530	140	750	710	1600	1380	110	1775	440	400	842	6xØ19 (M16)	872	250M	H160B
125-400/750/W	150	125	140	110	530	140	750	710	1600	1380	110	1881	440	400	912	6xØ19 (M16)	1083	280S/M	H180B

NOTE: Pumps supplied with flanges according to EN 1092-2 as standard; available ASME B16.5 version on request. For flanges dimensions see drawing on page 64.

Nscc1-4p50-en_e_td

NOTE: for models NSCC 50-125, 50-160, 50-200, 50-250, 65-125, 65-160, 65-200, 65-250, 80-160, 80-200, 80-250 consult the previous pages.

NSC..H

(e-NSC WITH HYDROVAR)

NSC..H SERIES (e-NSC WITH HYDROVAR)

Background and context

In all areas of application, such as building services, industry, agriculture and air-handling, the demand for intelligent pumping systems is constantly growing. There are many advantages: reduced cost for pump life cycle, lower environmental impact, longer lifetime of pipes and unions. That's why Lowara has developed the NSC..H: an intelligent pumping system which assures high level performance with energy consumption tailored to demand.

Benefits of NSC with HYDROVAR

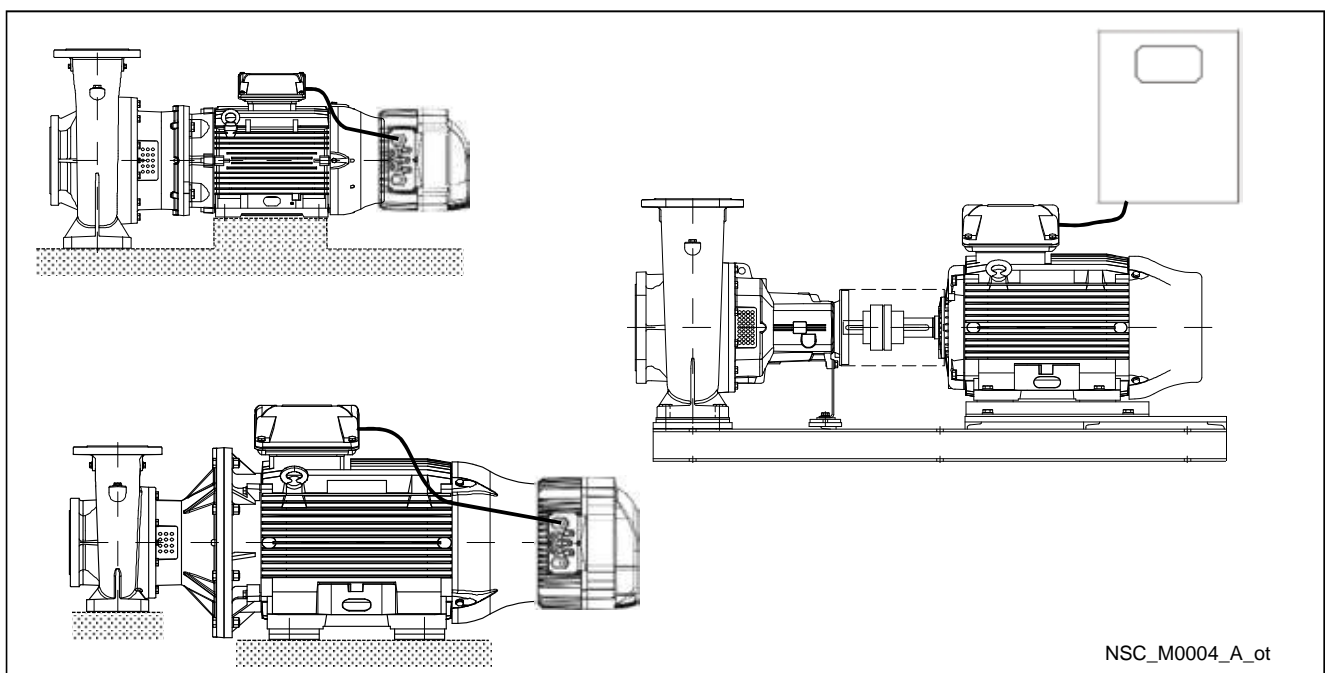
Saving: NSC..H transforms NSC pumps into variable speed intelligent pumping systems. Thanks to the HYDROVAR system, the speed of each pump varies so as to maintain a constant flow or pressure or differential pressure. The pump only receives the energy required, thus allowing considerable savings, especially for those systems in which demands varies during the day.

Easy installation and space-saving: NSC..H saves time and space during installation. Installed directly on the motor (up to 22 kW), which cools it down, and does not require a further control panel. , only fuses on the supply line (will depend upon any local electrical installation regulations). The wall-mounted HYDROVAR version is available for higher power outputs (up to 45 kW).

Standard motors: NSC..H models are fitted with three-phase standard TEFC motors with insulation class 155 (F).

Special features / benefits

- **There is no need for additional pressure sensors:** NSC..H are fitted with a pressure transmitter or differential pressure transmitters, depending on the application.
- **There is no need for special pumps or motors.**
- **There is no need for bypass or safety systems:** with HYDROVAR the pump immediately switches off when demand drops to zero or when it exceeds maximum pump capacity. This makes it unnecessary to install additional safety devices.
- **Anti-condensation device:** all units are fitted with anti-condensation devices which switch on when the pump is in standby in order to prevent condensation forming in the unit.



NSC..H SERIES (e-NSC WITH HYDROVAR)

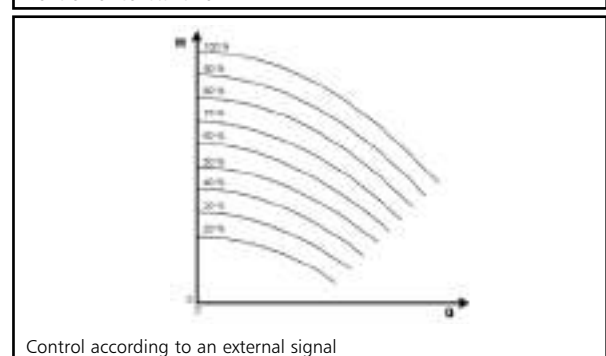
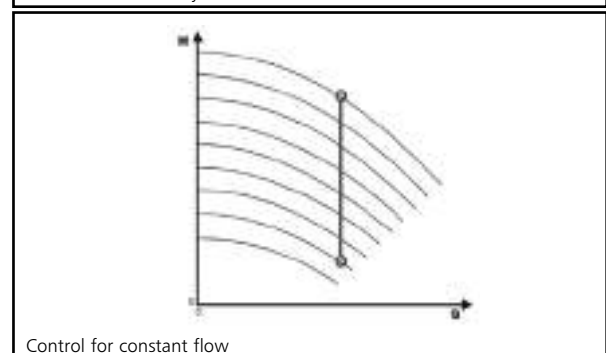
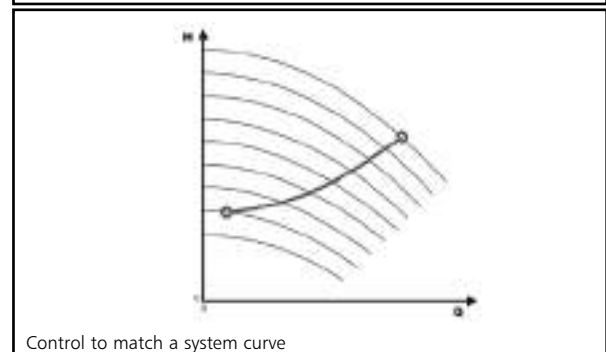
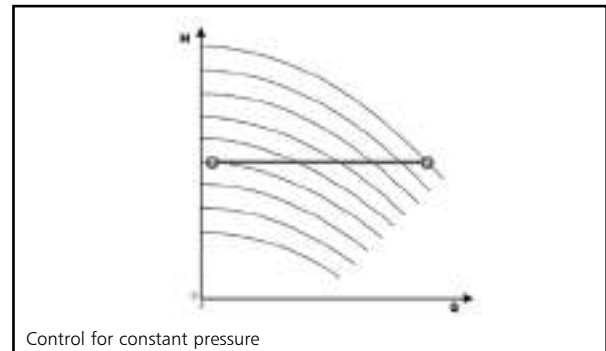
The basic function of the HYDROVAR device is to control the pump to meet the system demands.

HYDROVAR performs these functions by:

- 1) Measuring the system pressure or flow via a transmitter mounted on the pump's delivery side.
- 2) Calculating the motor speed to maintain the correct flow or pressure.
- 3) Sending out a signal to the pump to start the motor, increase speed, decrease speed or stop.
- 4) In the case of multiple pump installations, HYDROVAR will automatically provide for the cyclic changeover of the pumps' starting sequence.

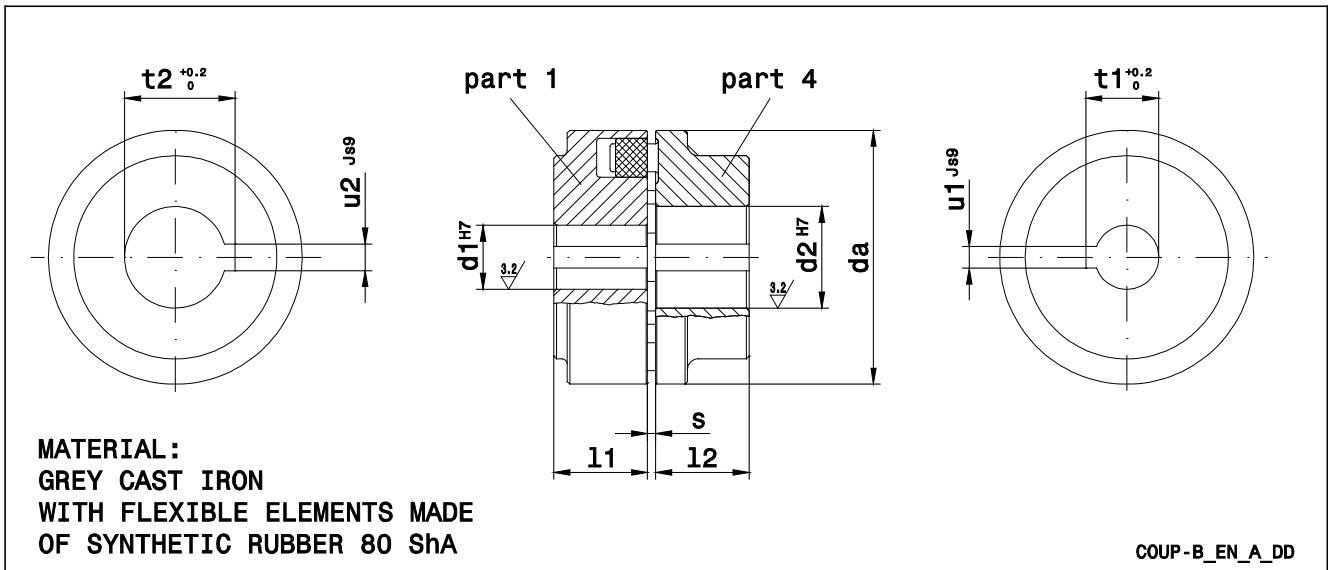
In addition to these basic functions, HYDROVAR can do things only by the most advanced computerised control systems, such as:

- Stop the pump(s) at zero demand.
- Stop the pump(s) in case of water failure on the suction side (protection against dry running).
- Stop the pump if the required delivery exceeds the pump's capacity (protection against cavitation caused by excessive demand), or automatically switch on the next pump in a multiple series.
- Protect the pump and motor from overvoltage, undervoltage, overload and earth fault.
- Vary the pump speed acceleration and deceleration time.
- Compensate for increased flow resistance at high flow rates.
- Conduct automatic test starts at set intervals.
- Monitor the converter and motor operating hours.
- Display all functions on an LCD in different languages (Italian, English, French, German, Spanish, Portuguese, Dutch).
- Send a signal to a remote control system which is proportional to the pressure and frequency.
- Communicate with another HYDROVAR or control system via an RS 485 interface.



ACCESSORIES

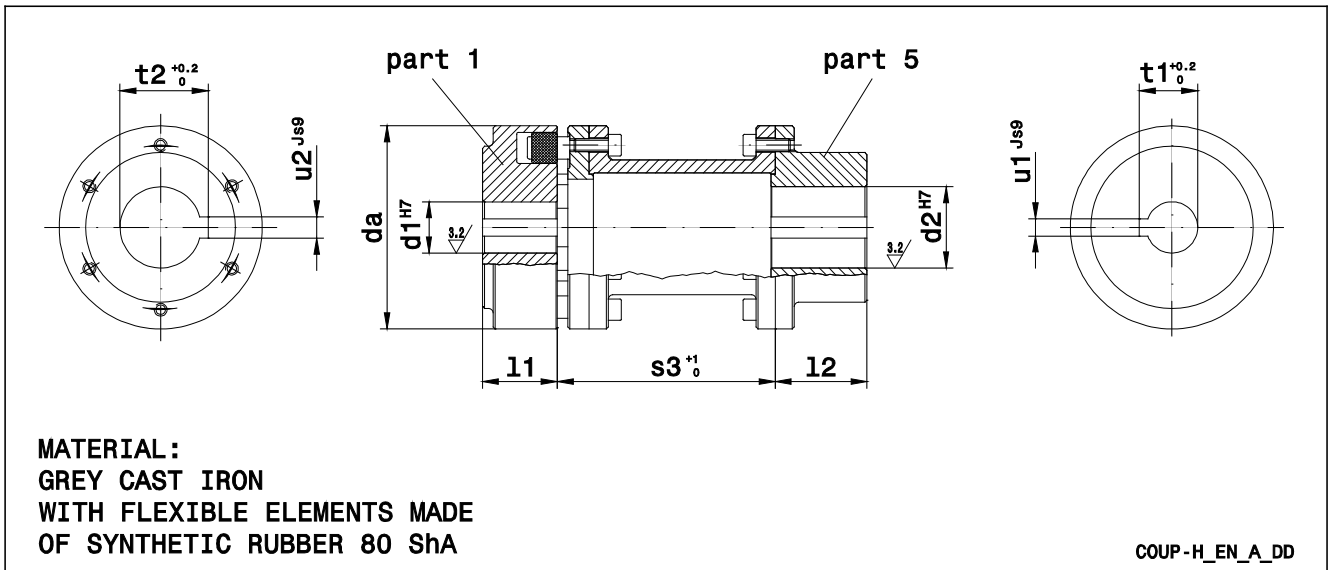
FLEXIBLE COUPLING DIMENSIONS



REF.	DENOMINATION	DIMENSIONS (mm)										
		SIZE x d ₁ x d ₂	d _a	PART 1 PUMP-SIDE HALF COUPLING				s	PART 4 MOTOR-SIDE HALF COUPLING			
				d ₁ ^{H7}	l ₁	u ₁ ^{js9}	t _{1 0} ^{+0.2}		d ₂ ^{H7}	l ₂	u ₂ ^{js9}	t _{2 0} ^{+0.2}
B68A	B 68 x 24 x 14	68	24	20	8	27,3	2÷4	14	20	5	16,3	
B68B	B 68 x 24 x 19	68	24	20	8	27,3	2÷4	19	20	6	21,8	
B68C	B 68 x 24 x 24	68	24	20	8	27,3	2÷4	24	20	8	27,3	
B80A	B 80 x 24 x 28	80	24	30	8	27,3	2÷4	28	30	8	31,3	
B95A	B 95 x 24 x 38	95	24	35	8	27,3	2÷4	38	35	10	41,3	
B95B	B 95 x 24 x 42	95	24	35	8	27,3	2÷4	42	35	12	45,3	
B95C	B 95 x 32 x 28	95	32	35	10	35,3	2÷4	28	35	8	31,3	
B95D	B 95 x 32 x 38	9	32	35	10	35,3	2÷4	38	35	10	41,3	
B95E	B 95 x 32 x 42	95	32	35	10	35,3	2÷4	42	35	12	45,3	
B95F	B 95 x 42 x 42	95	42	35	12	45,3	2÷4	42	35	12	45,3	
B110A	B 110 x 24 x 48	110	24	40	8	27,3	2÷4	48	40	14	51,8	
B110B	B 110 x 32 x 48	110	32	40	10	35,3	2÷4	48	40	14	51,8	
B110C	B 110 x 42 x 42	110	42	40	12	45,3	2÷4	42	40	12	45,3	
B110D	B 110 x 42 x 48	110	42	40	12	45,3	2÷4	48	40	14	51,8	
B125A	B 125 x 32 x 48	125	32	50	10	35,3	2÷4	48	50	14	51,8	
B125B	B 125 x 32 x 55	125	32	50	10	35,3	2÷4	55	50	16	59,3	
B125C	B 125 x 42 x 55	125	42	50	12	45,3	2÷4	55	50	16	59,3	
B125D	B 125 x 24 x 55	125	24	50	8	27,3	2÷4	55	50	16	59,3	
B140A	B 140 x 32 x 60	140	32	55	10	35,3	2÷4	60	55	18	64,4	
B140B	B 140 x 42 x 60	140	42	55	12	45,3	2÷4	60	55	18	64,4	
B160A	B 160 x 32 x 65	160	32	60	10	35,3	2÷6	65	60	18	69,4	
B160B	B 160 x 42 x 65	160	42	60	12	45,3	2÷6	65	60	18	69,4	
B160C	B 160 x 60 x 65	160	60	60	18	64,4	2÷6	65	60	18	69,4	
B180A	B 180 x 42 x 65	180	42	70	12	45,3	2÷6	65	60	18	69,4	
B180B	B 180 x 42 x 75	180	42	70	12	45,3	2÷6	75	70	20	79,9	
B180C	B 180 x 60 x 75	180	60	70	18	64,4	2÷6	75	70	20	79,9	
B200A	B 200 x 60 x 80	200	60	80	18	64,4	2÷6	80	80	22	85,4	
B225A	B 225 x 60 x 80	225	60	90	18	64,4	2÷6	80	90	22	85,4	
B250A	B 250 x 60 x 100	250	60	100	18	64,4	3÷8	100	100	28	106,4	

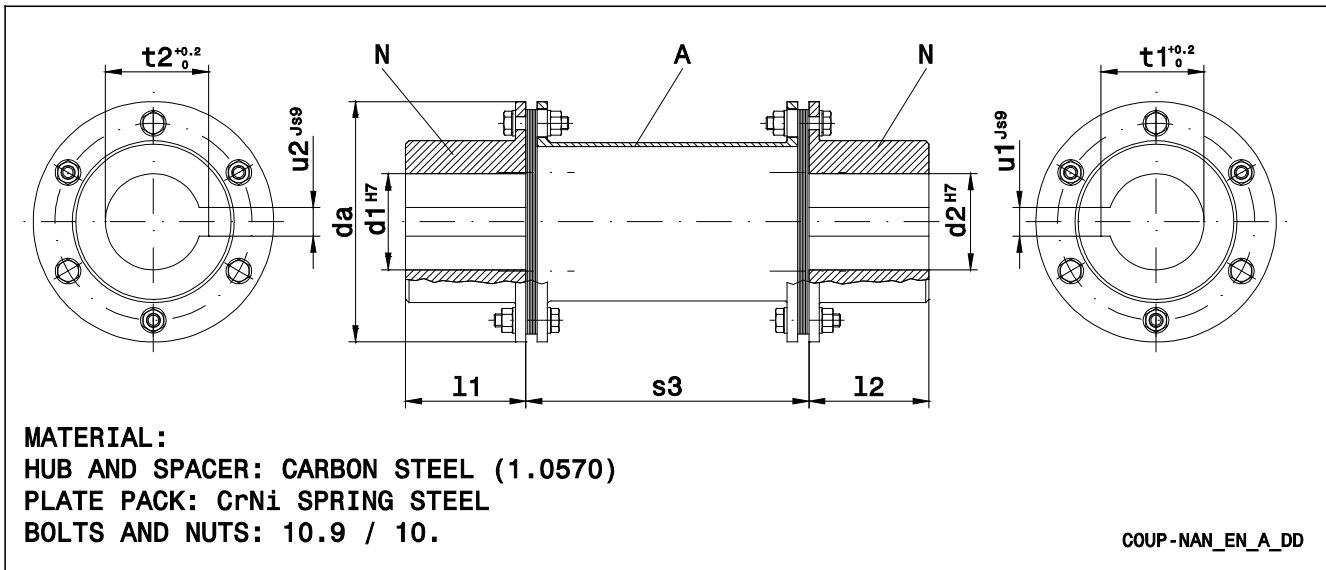
Coup-b_en_b_td

SPACER COUPLING DIMENSIONS



REF.	DENOMINATION	DIMENSIONS (mm)									
		PART 1						PART 5			
		PUMP-SIDE HALF COUPLING						MOTOR-SIDE HALF COUPLING			
SIZE x l x d ₁ x d ₂	da	s ₃ 0 ⁺¹	d ₁ H7	l ₁	u ₁ JS9	t ₁ 0 ^{+0.2}	d ₂ H7	l ₂	u ₂ JS9	t ₂ 0 ^{+0.2}	
H80A	H 80-100 x 24 x 19	80	100	24	30	8	27,3	19	45	6	21,8
H80B	H 80-100 x 24 x 24	80	100	24	30	8	27,3	24	45	8	27,3
H80C	H 80-100 x 24 x 28	80	100	24	30	8	27,3	28	45	8	31,3
H80D	H 80-100 x 24 x 14	80	100	24	30	8	27,3	14	45	5	16,3
H80E	H 80-140 x 24 x 24	80	140	24	30	8	27,3	24	45	8	27,3
H80F	H 80-140 x 24 x 28	80	140	24	30	8	27,3	28	45	8	31,3
H80G	H 80-140 x 32 x 28	80	140	32	30	10	35,3	28	45	8	31,3
H95A	H 95-100 x 24 x 38	95	100	24	35	8	27,3	38	45	10	41,3
H95B	H 95-100 x 24 x 42	95	100	24	35	8	27,3	42	45	12	45,3
H95C	H 95-140 x 32 x 28	95	140	32	35	10	35,3	28	45	8	31,3
H95D	H 95-140 x 32 x 38	95	140	32	35	10	35,3	38	45	10	41,3
H95E	H 95-140 x 32 x 42	95	140	32	35	10	35,3	42	45	12	45,3
H95F	H 95-140 x 42 x 42	95	140	42	35	12	45,3	42	45	12	45,3
H95G	H 95-140 x 24 x 42	95	140	24	35	8	27,3	42	45	12	45,3
H110A	H 110-100 x 24 x 48	110	100	24	40	8	27,3	48	50	14	51,8
H110B	H 110-140 x 32 x 48	110	140	32	40	10	35,3	48	50	14	51,8
H110C	H 110-140 x 42 x 48	110	140	42	40	12	45,3	48	50	14	51,8
H110D	H 110-140 x 24 x 48	110	140	24	40	8	27,3	48	50	14	51,8
H125A	H 125-100 x 24 x 55	125	100	24	50	8	27,3	55	50	16	59,3
H125B	H 125-140 x 32 x 48	125	140	32	50	10	35,3	48	50	14	51,8
H125C	H 125-140 x 32 x 55	125	140	32	50	10	35,3	55	50	16	59,3
H125D	H 125-140 x 42 x 55	125	140	42	50	12	45,3	55	50	16	59,3
H125E	H 125-200 x 42 x 48	125	200	42	50	12	45,3	48	70	14	51,8
H125F	H 125-200 x 42 x 55	125	200	42	50	12	45,3	55	70	16	59,3
H125G	H 125-140 x 24 x 55	125	140	24	50	8	27,3	55	50	16	59,3
H140A	H 140-140 x 32 x 60	140	140	32	55	10	35,3	60	65	18	64,4
H140B	H 140-140 x 42 x 60	140	140	42	55	12	45,3	60	65	18	64,4
H140C	H 140-200 x 42 x 60	140	200	42	55	12	45,3	60	65	18	64,4
H160A	H 160-140 x 32 x 65	160	140	32	60	10	35,3	65	70	18	69,4
H160B	H 160-140 x 42 x 65	160	140	42	60	12	45,3	65	70	18	69,4
H160C	H 160-200 x 42 x 65	160	200	42	60	12	45,3	65	70	18	69,4
H160D	H 160-250 x 60 x 65	160	250	60	60	18	64,4	65	80	18	69,4
H180A	H 180-140 x 42 x 65	180	140	42	70	12	45,3	65	80	18	69,4
H180B	H 180-140 x 42 x 75	180	140	42	70	12	45,3	75	80	20	79,9
H180C	H 180-200 x 42 x 75	180	200	42	70	12	45,3	75	80	20	79,9
H180D	H 180-250 x 60 x 75	180	250	60	70	18	64,4	75	80	20	79,9
H200A	H 200-250 x 60 x 80	200	250	60	80	18	64,4	80	90	22	85,4
H225A	H 225-250 x 60 x 80	225	250	60	90	18	64,4	80	100	22	85,4
H250A	H 250-250 x 60 x 100	250	250	60	100	18	64,4	100	110	28	106,4

SPACER COUPLING DIMENSIONS



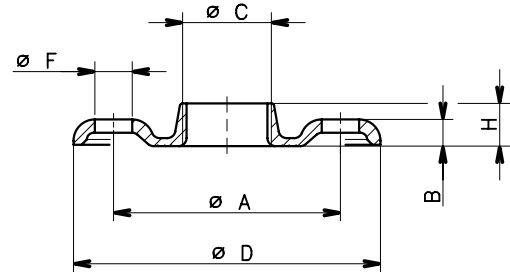
REF.	DENOMINATION	DIMENSIONS (mm)										
		SIZE x l x d ₁ x d ₂	d _a	s ₃	N				N			
					PUMP-SIDE HALF COUPLING				MOTOR-SIDE HALF COUPLING			
d ₁ ^{H7}	l ₁	u ₁ ^{js9}	t _{1 0} ^{+0.2}	d ₂ ^{H7}	l ₂	u ₂ ^{js9}	t _{2 0} ^{+0.2}					
N150A	NAN 150-6 x 300 x 60 x 75	150	300	60	75	18	64,4	75	75	20	79,9	
N176A	NAN 176-6 x 300 x 60 x 80	176	300	60	85	18	64,4	80	85	22	85,4	
N185A	NAN 185-6 x 300 x 60 x 80	185	300	60	90	18	64,4	80	90	22	85,4	
N212A	NAN 212-6 x 300 x 60 x 100	212	300	60	100	18	64,4	100	100	28	106,4	

Coup-nan-en_a_td

DIMENSIONS OF ROUND THREADED COUNTERFLANGES ACCORDING TO EN 1092-1

DN	ø C	DIMENSIONS (mm)				HOLES		
		ø A	B	ø D	H	ø F	N°	PN
32	Rp 1¼	100	13	140	16	18	4	16
40	Rp 1½	110	14	150	19	18	4	16
50	Rp 2	125	16	165	24	18	4	16
65	Rp 2½	145	16	185	23	18	4	16
80	Rp 3	160	17	200	27	18	8	16
100	Rp 4	180	18	220	31	18	8	16

fh-ctf-tonde-f-en_a_td

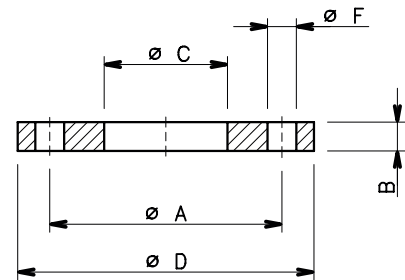


04430_B_DD

DIMENSIONS OF ROUND WELD-ON COUNTERFLANGES ACCORDING TO EN 1092-1

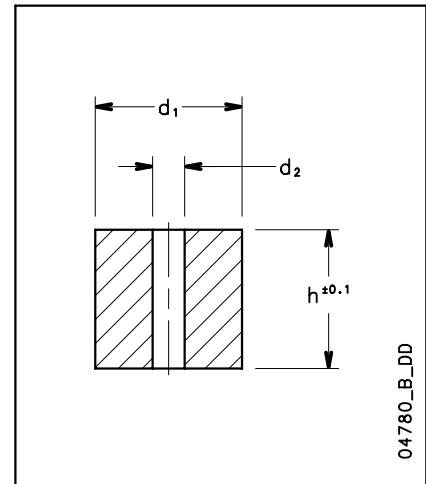
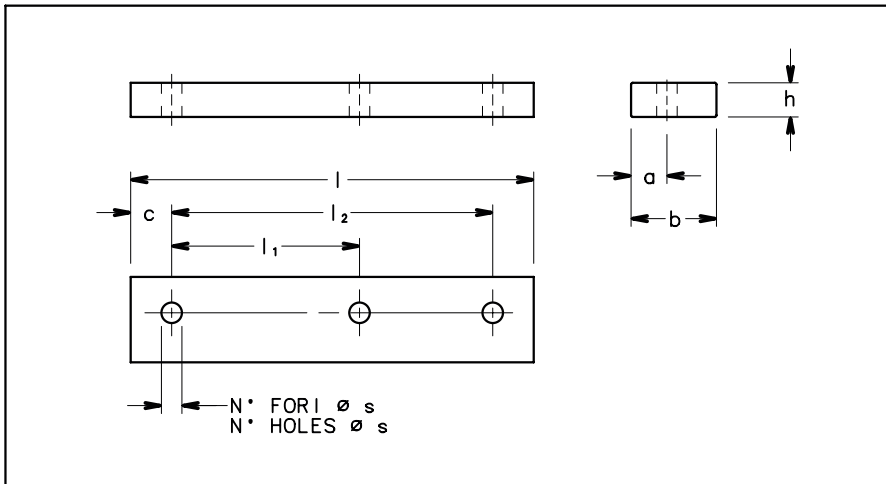
DN	ø C	DIMENSIONS (mm)			HOLES		
		ø A	B	ø D	ø F	N°	PN
65	77	145	18	185	18	4	16
80	90	160	20	200	18	8	16
100	115,5	180	22	220	18	8	16
125	141,5	210	22	250	18	8	16
150	170,5	240	24	285	22	8	16
200	221,5	295	24	340	22	12	16
250	276,5	355	26	405	26	12	16
300	327,5	410	28	460	26	12	16
350	359,5	470	30	520	26	16	16

Nsc-ctf-tonde-s-en_a_td



04431_A_DD

NSC 32 ÷ 80 SERIES SHIM FOR MOTOR FEET



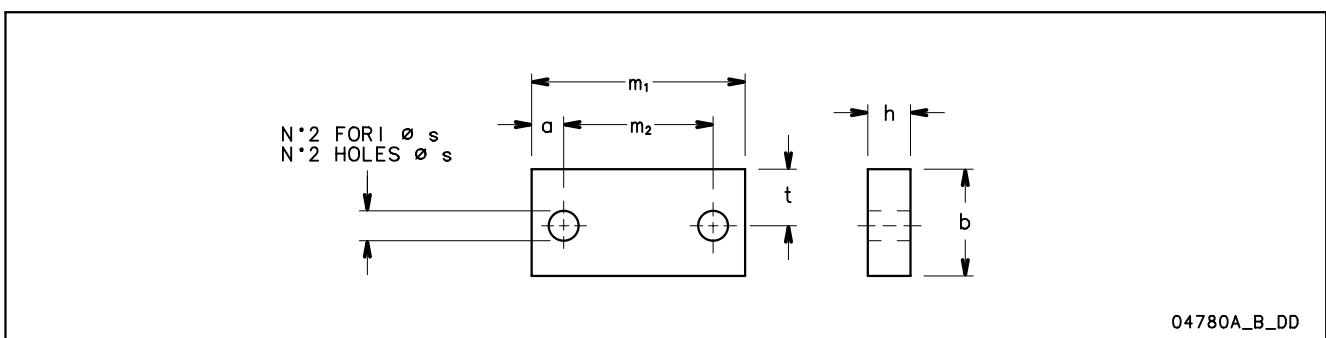
04780_B_DD

DENOMINATION		DIMENSIONS (mm)								HOLES	
b	x	h	x	l	a	l ₁	l ₂	c	N°	ø s	
35	20	125			17	100	-	12,5	2	10	
40	10	155			20	100	125	15	3	10	
40	12	155			20	100	125	15	3	10	
40	12	180			17	140	-	20	2	14	
40	20	180			17	140	-	20	2	14	
40	30	155			20	100	125	15	3	10	
40	40	180			17	140	-	20	2	14	
50	8	226			21	140	178	24	3	14	
50	20	226			21	140	178	24	3	14	
50	30	304			25	210	254	25	3	14	
80	20	332			35.5	241	279	26.5	3	14	
50	20	304			25	210	254	25	3	14	
100	30	467			50	311	349	59	3	22	

DENOMINATION		DIMENSIONS (mm)		
d ₁	x	h	d ₂	
45		41	10	
45		61	10	
45		89	10	
55		52	12	
55		70	12	
55		80	12	
55		90	12	
55		100	12	
65		60	16	
65		68	16	
65		78	16	
65		80	16	
65		88	16	
65		98	16	

sp-mot-nscs-nscf-en_a_td

SHIM FOR PUMP FEET (NSCF)



04780A_B_DD

DENOMINAZIONE		DIMENSIONS (mm)							
b	x	h	x	m ₁	a	m ₂	ø s	t	
40		10		160	25	110	14	16,5	
40		20		160	25	110	14	16,5	
40		25		160	25	110	14	16,5	
40		30		160	25	110	14	16,5	
70		20		125	15	95	14	37,5	
70		25		125	15	95	14	37,5	
80		10		160	20	120	18	42,5	
80		25		160	20	120	18	42,5	
80		30		160	20	120	18	42,5	

sp-pompa-nscf-en_a_td

REPORTS AND DECLARATIONS

REPORTS AND DECLARATIONS

i) Test reports

- a) **Factory Test Report** (Lowara identity code: 1A)
(not available for all pump types; contact Customer Service in advance)
- Test report compiled at the end of the assembly line, including flow-head performance test (ISO 9906:2012 – Grade 3B) and tightness test.
- b) **Audit Test Report** (Lowara identity code: 1B)
- Test report for electric pumps compiled in the test room, comprising flow-head-pump input-pump efficiency performance test (ISO 9906:2012 – Grade 3B)
- c) **NPSH Test Report** (Lowara identity code: 1A / CTF-NP)
(unavailable for submerged or submergible pumps)
- Test report for electric pumps compiled in the test room, comprising flow-NPSH performance test (ISO 9906:2012 – Grade 3B)
- d) **Noise Test Report** (Lowara identity code: 1A / CTF-RM)
(unavailable for submerged pumps)
- Report indicating sound pressure and power measurements (EN ISO 20361, EN ISO 11203, EN ISO 4871) using the
• intensimetric (EN ISO 9614-1, EN ISO 9614-2), or
• phonometric method.
- e) **Vibration Test Report**
(unavailable for submerged or submergible pumps)
- Report indicating vibration measurements (ISO 10816-1)

ii) Declaration of product conformity with the technical requirements indicated in the order

- a) **EN 10204:2004 - type 2.1** (Lowara identity code: CTF-21)
- does not include test results on supplied or similar products.
- b) **EN 10204:2004 - type 2.2** (Lowara identity code: CTF-22)
- includes test results (materials certificates) on similar products.
- c) **EN 10204:2004 - type 3.1** (Lowara identity code: 1A / CTF-31 or 1B / CTF-31)
- includes test report (*Factory Test Report* or *Audit Test Report*), list of materials, EC Declaration of Conformity (in addition to the one accompanying the product), certificates / declarations concerning materials in contact with water.

iii) Issue of a further EC Declaration of Conformity,

- in addition to the one accompanying the product, it comprises references to European law and the main technical standards (e.g.: MD 2006/42/EC, EMCD 2004/108/EC, ErP 2009/125/EC).

N.B.: if the request is made after receipt of the product, communicate the code (name) and serial number (date + progressive number).

iv) Manufacturer's declaration of conformity

- relative to one of more types of products without indicating specific codes and serial numbers.

v) Other certificates and/or documentation on request

- subject to availability or feasibility.

vi) Duplication of certificates and/or documentation on request

- subject to availability or feasibility.

TECHNICAL APPENDIX

NPSH

The minimum operating values that can be reached at the pump suction end are limited by the onset of cavitation.

Cavitation is the formation of vapour-filled cavities within liquids where the pressure is locally reduced to a critical value, or where the local pressure is equal to, or just below the vapour pressure of the liquid.

The vapour-filled cavities flow with the current and when they reach a higher pressure area the vapour contained in the cavities condenses. The cavities collide, generating pressure waves that are transmitted to the walls. These, being subjected to stress cycles, gradually become deformed and yield due to fatigue. This phenomenon, characterized by a metallic noise produced by the hammering on the pipe walls, is called incipient cavitation.

The damage caused by cavitation may be magnified by electrochemical corrosion and a local rise in temperature due to the plastic deformation of the walls. The materials that offer the highest resistance to heat and corrosion are alloy steels, especially austenitic steel. The conditions that trigger cavitation may be assessed by calculating the total net suction head, referred to in technical literature with the acronym NPSH (Net Positive Suction Head).

The NPSH represents the total energy (expressed in m.) of the liquid measured at suction under conditions of incipient cavitation, excluding the vapour pressure (expressed in m.) that the liquid has at the pump inlet.

To find the static height h_z at which to install the machine under safe conditions, the following formula must be verified:

$$h_p + h_z \geq (NPSH_r + 0.5) + h_f + h_{pv} \quad \textcircled{1}$$

where:

- h_p** is the absolute pressure applied to the free liquid surface in the suction tank, expressed in m. of liquid; h_p is the quotient between the barometric pressure and the specific weight of the liquid.
- h_z** is the suction lift between the pump axis and the free liquid surface in the suction tank, expressed in m.; h_z is negative when the liquid level is lower than the pump axis.
- h_f** is the flow resistance in the suction line and its accessories, such as: fittings, foot valve, gate valve, elbows, etc.
- h_{pv}** is the vapour pressure of the liquid at the operating temperature, expressed in m. of liquid. h_{pv} is the quotient between the P_v vapour pressure and the liquid's specific weight.
- 0,5** is the safety factor.

The maximum possible suction head for installation depends on the value of the atmospheric pressure (i.e. the elevation above sea level at which the pump is installed) and the temperature of the liquid.

To help the user, with reference to water temperature (4° C) and to the elevation above sea level, the following tables show the drop in hydraulic pressure head in relation to the elevation above sea level, and the suction loss in relation to temperature.

Water temperature (°C)	20	40	60	80	90	110	120
Suction loss (m)	0,2	0,7	2,0	5,0	7,4	15,4	21,5

Elevation above sea level (m)	500	1000	1500	2000	2500	3000
Suction loss (m)	0,55	1,1	1,65	2,2	2,75	3,3

Friction loss is shown in the tables at pages 184-185 of this catalogue. To reduce it to a minimum, especially in cases of high suction head (over 4-5 m.) or within the operating limits with high flow rates, we recommend using a suction line having a larger diameter than that of the pump's suction port. It is always a good idea to position the pump as close as possible to the liquid to be pumped.

Make the following calculation:

Liquid: water at ~15°C $\gamma = 1 \text{ kg/dm}^3$

Flow rate required: 25 m³/h

Head for required delivery: 70 m.

Suction lift: 3,5 m.

The selection is an 33SV3G075T pump whose NPSH required value is, at 25 m³/h, of 2 m.

For water at 15 °C

$$h_p = P_a / \gamma = 10,33\text{m}, h_{pv} = P_v / \gamma = 0,174\text{m} (0,01701 \text{ bar})$$

The H_f flow resistance in the suction line with foot valves is ~ 1,2 m.

By substituting the parameters in formula $\textcircled{1}$ with the numeric values above, we have:

$$10,33 + (-3,5) \geq (2 + 0,5) + 1,2 + 0,17$$

from which we have: 6,8 > 3,9

The relation is therefore verified.

VAPOUR PRESSURE VAPOUR PRESSURE p_s AND ρ DENSITY OF WATER TABLE

t °C	T K	p_s bar	ρ kg/dm ³	t °C	T K	p_s bar	ρ kg/dm ³	t °C	T K	p_s bar	ρ kg/dm ³
0	273,15	0,00611	0,9998	55	328,15	0,15741	0,9857	120	393,15	1,9854	0,9429
1	274,15	0,00657	0,9999	56	329,15	0,16511	0,9852	122	395,15	2,1145	0,9412
2	275,15	0,00706	0,9999	57	330,15	0,17313	0,9846	124	397,15	2,2504	0,9396
3	276,15	0,00758	0,9999	58	331,15	0,18147	0,9842	126	399,15	2,3933	0,9379
4	277,15	0,00813	1,0000	59	332,15	0,19016	0,9837	128	401,15	2,5435	0,9362
5	278,15	0,00872	1,0000	60	333,15	0,1992	0,9832	130	403,15	2,7013	0,9346
6	279,15	0,00935	1,0000	61	334,15	0,2086	0,9826	132	405,15	2,867	0,9328
7	280,15	0,01001	0,9999	62	335,15	0,2184	0,9821	134	407,15	3,041	0,9311
8	281,15	0,01072	0,9999	63	336,15	0,2286	0,9816	136	409,15	3,223	0,9294
9	282,15	0,01147	0,9998	64	337,15	0,2391	0,9811	138	411,15	3,414	0,9276
10	283,15	0,01227	0,9997	65	338,15	0,2501	0,9805	140	413,15	3,614	0,9258
11	284,15	0,01312	0,9997	66	339,15	0,2615	0,9799	145	418,15	4,155	0,9214
12	285,15	0,01401	0,9996	67	340,15	0,2733	0,9793	155	428,15	5,433	0,9121
13	286,15	0,01497	0,9994	68	341,15	0,2856	0,9788	160	433,15	6,181	0,9073
14	287,15	0,01597	0,9993	69	342,15	0,2984	0,9782	165	438,15	7,008	0,9024
15	288,15	0,01704	0,9992	70	343,15	0,3116	0,9777	170	443,15	7,920	0,8973
16	289,15	0,01817	0,9990	71	344,15	0,3253	0,9770	175	448,15	8,924	0,8921
17	290,15	0,01936	0,9988	72	345,15	0,3396	0,9765	180	453,15	10,027	0,8869
18	291,15	0,02062	0,9987	73	346,15	0,3543	0,9760	185	458,15	11,233	0,8815
19	292,15	0,02196	0,9985	74	347,15	0,3696	0,9753	190	463,15	12,551	0,8760
20	293,15	0,02337	0,9983	75	348,15	0,3855	0,9748	195	468,15	13,987	0,8704
21	294,15	0,24850	0,9981	76	349,15	0,4019	0,9741	200	473,15	15,550	0,8647
22	295,15	0,02642	0,9978	77	350,15	0,4189	0,9735	205	478,15	17,243	0,8588
23	296,15	0,02808	0,9976	78	351,15	0,4365	0,9729	210	483,15	19,077	0,8528
24	297,15	0,02982	0,9974	79	352,15	0,4547	0,9723	215	488,15	21,060	0,8467
25	298,15	0,03166	0,9971	80	353,15	0,4736	0,9716	220	493,15	23,198	0,8403
26	299,15	0,03360	0,9968	81	354,15	0,4931	0,9710	225	498,15	25,501	0,8339
27	300,15	0,03564	0,9966	82	355,15	0,5133	0,9704	230	503,15	27,976	0,8273
28	301,15	0,03778	0,9963	83	356,15	0,5342	0,9697	235	508,15	30,632	0,8205
29	302,15	0,04004	0,9960	84	357,15	0,5557	0,9691	240	513,15	33,478	0,8136
30	303,15	0,04241	0,9957	85	358,15	0,5780	0,9684	245	518,15	36,523	0,8065
31	304,15	0,04491	0,9954	86	359,15	0,6011	0,9678	250	523,15	39,776	0,7992
32	305,15	0,04753	0,9951	87	360,15	0,6249	0,9671	255	528,15	43,246	0,7916
33	306,15	0,05029	0,9947	88	361,15	0,6495	0,9665	260	533,15	46,943	0,7839
34	307,15	0,05318	0,9944	89	362,15	0,6749	0,9658	265	538,15	50,877	0,7759
35	308,15	0,05622	0,9940	90	363,15	0,7011	0,9652	270	543,15	55,058	0,7678
36	309,15	0,05940	0,9937	91	364,15	0,7281	0,9644	275	548,15	59,496	0,7593
37	310,15	0,06274	0,9933	92	365,15	0,7561	0,9638	280	553,15	64,202	0,7505
38	311,15	0,06624	0,9930	93	366,15	0,7849	0,9630	285	558,15	69,186	0,7415
39	312,15	0,06991	0,9927	94	367,15	0,8146	0,9624	290	563,15	74,461	0,7321
40	313,15	0,07375	0,9923	95	368,15	0,8453	0,9616	295	568,15	80,037	0,7223
41	314,15	0,07777	0,9919	96	369,15	0,8769	0,9610	300	573,15	85,927	0,7122
42	315,15	0,08198	0,9915	97	370,15	0,9094	0,9602	305	578,15	92,144	0,7017
43	316,15	0,09639	0,9911	98	371,15	0,9430	0,9596	310	583,15	98,70	0,6906
44	317,15	0,09100	0,9907	99	372,15	0,9776	0,9586	315	588,15	105,61	0,6791
45	318,15	0,09582	0,9902	100	373,15	1,0133	0,9581	320	593,15	112,89	0,6669
46	319,15	0,10086	0,9898	102	375,15	1,0878	0,9567	325	598,15	120,56	0,6541
47	320,15	0,10612	0,9894	104	377,15	1,1668	0,9552	330	603,15	128,63	0,6404
48	321,15	0,11162	0,9889	106	379,15	1,2504	0,9537	340	613,15	146,05	0,6102
49	322,15	0,11736	0,9884	108	381,15	1,3390	0,9522	350	623,15	165,35	0,5743
50	323,15	0,12335	0,9880	110	383,15	1,4327	0,9507	360	633,15	186,75	0,5275
51	324,15	0,12961	0,9876	112	385,15	1,5316	0,9491	370	643,15	210,54	0,4518
52	325,15	0,13613	0,9871	114	387,15	1,6362	0,9476	374,15	647,30	221,20	0,3154
53	326,15	0,14293	0,9862	116	389,15	1,7465	0,9460				
54	327,15	0,15002	0,9862	118	391,15	1,8628	0,9445				

G-at_npsb_sc

TABLE OF FLOW RESISTANCE IN 100 m OF STRAIGHT CAST IRON PIPELINE (HAZEN-WILLIAMS FORMULA C=100)

FLOW RATE		NOMINAL DIAMETER in mm and inches																			
m ³ /h	l/min		15	20	25	32	40	50	65	80	100	125	150	175	200	250	300	350	400		
			1/2"	3/4"	1"	1 1/4"	1 1/2"	2"	2 1/2"	3"	4"	5"	6"	7"	8"	10"	12"	14"	16"		
0,6	10	v	0,94	0,53	0,34	0,21	0,13														
		hr	16	3,94	1,33	0,40	0,13														
0,9	15	v	1,42	0,80	0,51	0,31	0,20														
		hr	33,9	8,35	2,82	0,85	0,29														
1,2	20	v	1,89	1,06	0,68	0,41	0,27	0,17													
		hr	57,7	14,21	4,79	1,44	0,49	0,16													
1,5	25	v	2,36	1,33	0,85	0,52	0,33	0,21													
		hr	87,2	21,5	7,24	2,18	0,73	0,25													
1,8	30	v	2,83	1,59	1,02	0,62	0,40	0,25													
		hr	122	30,1	10,1	3,05	1,03	0,35													
2,1	35	v	3,30	1,86	1,19	0,73	0,46	0,30													
		hr	162	40,0	13,5	4,06	1,37	0,46													
2,4	40	v	2,12	1,36	0,83	0,53	0,34	0,20													
		hr	51,2	17,3	5,19	1,75	0,59	0,16													
3	50	v	2,65	1,70	1,04	0,66	0,42	0,25													
		hr	77,4	26,1	7,85	2,65	0,89	0,25													
3,6	60	v	3,18	2,04	1,24	0,80	0,51	0,30													
		hr	108	36,6	11,0	3,71	1,25	0,35													
4,2	70	v	3,72	2,38	1,45	0,93	0,59	0,35													
		hr	144	48,7	14,6	4,93	1,66	0,46													
4,8	80	v	4,25	2,72	1,66	1,06	0,68	0,40													
		hr	185	62,3	18,7	6,32	2,13	0,59													
5,4	90	v	3,06	1,87	1,19	0,76	0,45	0,30													
		hr	77,5	23,3	7,85	2,65	0,74	0,27													
6	100	v	3,40	2,07	1,33	0,85	0,50	0,33													
		hr	94,1	28,3	9,54	3,22	0,90	0,33													
7,5	125	v	4,25	2,59	1,66	1,06	0,63	0,41													
		hr	142	42,8	14,4	4,86	1,36	0,49													
9	150	v	3,11	1,99	1,27	0,75	0,50	0,32													
		hr	59,9	20,2	6,82	1,90	0,69	0,23													
10,5	175	v	3,63	2,32	1,49	0,88	0,58	0,37													
		hr	79,7	26,9	9,07	2,53	0,92	0,31													
12	200	v	4,15	2,65	1,70	1,01	0,66	0,42													
		hr	102	34,4	11,6	3,23	1,18	0,40													
15	250	v	5,18	3,32	2,12	1,26	0,83	0,53	0,34												
		hr	154	52,0	17,5	4,89	1,78	0,60	0,20												
18	300	v	3,98	2,55	1,51	1,00	0,64	0,41													
		hr	72,8	24,6	6,85	2,49	0,84	0,28													
24	400	v	5,31	3,40	2,01	1,33	0,85	0,54	0,38												
		hr	124	41,8	11,66	4,24	1,43	0,48	0,20												
30	500	v	6,63	4,25	2,51	1,66	1,06	0,68	0,47												
		hr	187	63,2	17,6	6,41	2,16	0,73	0,30												
36	600	v	5,10	3,02	1,99	1,27	0,83	0,53	0,34												
		hr	88,6	24,7	8,98	3,03	1,02	0,42	0,20												
42	700	v	5,94	3,52	2,32	1,49	0,95	0,66	0,49												
		hr	118	32,8	11,9	4,03	1,36	0,56	0,26												
48	800	v	6,79	4,02	2,65	1,70	1,09	0,75	0,55												
		hr	151	42,0	15,3	5,16	1,74	0,72	0,34												
54	900	v	7,64	4,52	2,99	1,91	1,22	0,85	0,62												
		hr	188	52,3	19,0	6,41	2,16	0,89	0,42												
60	1000	v	5,03	3,32	2,12	1,26	0,83	0,53	0,34												
		hr	63,5	23,1	7,79	2,63	1,08	0,51	0,27												
75	1250	v	6,28	4,15	2,65	1,70	1,18	0,87	0,66												
		hr	96,0	34,9	11,8	3,97	1,63	0,77	0,40												
90	1500	v	7,54	4,98	3,18	2,04	1,42	1,04	0,80												
		hr	134	48,9	16,5	5,57	2,29	1,08	0,56												
105	1750	v	8,79	5,81	3,72	2,38	1,65	1,21	0,93												
		hr	179	65,1	21,9	7,40	3,05	1,44	0,75												
120	2000	v	6,63	4,25	2,72	1,89	1,39	1,06	0,68												
		hr	83,3	28,1	9,48	3,90	1,84	0,96	0,32												
150	2500	v	8,29	5,31	3,40	2,36	1,73	1,33	0,85												
		hr	126	42,5	14,3	5,89	2,78	1,45	0,49												
180	3000	v	6,37	4,08	2,83	2,08	1,59	1,02	0,71												
		hr	59,5	20,1	8,26	3,90	2,03	0,69	0,28												
210	3500	v	7,43	4,76	3,30	2,43	1,86	1,19	0,83												
		hr	79,1	26,7	11,0	5,18	2,71	0,91	0,38												
240	4000	v	8,49	5,44	3,77	2,77	2,12	1,36	0,94												
		hr	101	34,2	14,1	6,64	3,46	1,17	0,48												
300	5000	v	6,79	4,72	3,47	2,65	1,70	1,18	0,85												
		hr	51,6	21,2	10,0	5,23	1,77	0,73	0,26												
360	6000	v	8,15	5,66	4,16	3,18	2,04	1,42	1,02												
		hr	72,3	29,8	14,1	7,33	2,47	1,02	0,42												
420	7000	v	6,61	4,85	3,72	2,38	1,65	1,21	0,93												
		hr	39,6	18,7	9,75	3,29	1,35	0,82	0,32												
480	8000	v	7,55	5,55	4,25	2,72	1,89	1,39	1,02												
		hr	50,7	23,9	12,49	4,21	1,73	0,82	0,28												
540	9000	v	8,49	6,24	4,78	3,06	2,12	1,56	1,19												
		hr	63,0	29,8	15,5																

FLOW RESISTANCE TABLE OF FLOW RESISTANCE IN BENDS, VALVES AND GATES

The flow resistance is calculated using the equivalent pipeline length method according to the table below:

ACCESSORY TYPE	DN											
	25	32	40	50	65	80	100	125	150	200	250	300
	Equivalent pipeline length (m)											
45° bend	0,2	0,2	0,4	0,4	0,6	0,6	0,9	1,1	1,5	1,9	2,4	2,8
90° bend	0,4	0,6	0,9	1,1	1,3	1,5	2,1	2,6	3,0	3,9	4,7	5,8
90° smooth bend	0,4	0,4	0,4	0,6	0,9	1,1	1,3	1,7	1,9	2,8	3,4	3,9
Union tee or cross	1,1	1,3	1,7	2,1	2,6	3,2	4,3	5,3	6,4	7,5	10,7	12,8
Gate	-	-	-	0,2	0,2	0,2	0,4	0,4	0,6	0,9	1,1	1,3
Non return valve	1,1	1,5	1,9	2,4	3,0	3,4	4,7	5,9	7,4	9,6	11,8	13,9

G-a-pcv-en_a_th

The table is valid for the Hazen Williams coefficient $C=100$ (cast iron pipework);

for steel pipework, multiply the values by 1,41;

for stainless steel, copper and coated cast iron pipework, multiply the values by 1,85;

When the **equivalent pipeline length** has been determined, the flow resistance is obtained from the table of flow resistance.

The values given are guideline values which are bound to vary slightly according to the model, especially for gate valves and non-return valves, for which it is a good idea to check the values supplied by manufacturers.

VOLUMETRIC CAPACITY

Litres per minute l/min	Cubic metres per hour m ³ /h	Cubic feet per hour ft ³ /h	Cubic feet per minute ft ³ /min	Imperial gallon per minute Imp. gal/min	U.S. gallon per minute US gal/min
1,000	0,0600	2,1189	0,0353	0,2200	0,2642
16,6667	1,0000	35,3147	0,5886	3,6662	4,4029
0,4719	0,0283	1,0000	0,0167	0,1038	0,1247
28,3168	1,6990	60,0000	1,0000	6,2288	7,4805
4,5461	0,2728	9,6326	0,1605	1,0000	1,2009
3,7854	0,2271	8,0208	0,1337	0,8327	1,0000

PRESSURE AND HEAD

Newton per square metre N/m ²	kilo Pascal kPa	bar bar	Pound force per square inch psi	Metre of water m H ₂ O	Millimetre of mercury mm Hg
1,0000	0,0010	1 x 10 ⁻⁵	1,45 x 10 ⁻⁴	1,02 x 10 ⁻⁴	0,0075
1 000,0000	1,0000	0,0100	0,1450	0,1020	7,5006
1 x 10 ⁵	100,0000	1,0000	14,5038	10,1972	750,0638
6 894,7570	6,8948	0,0689	1,0000	0,7031	51,7151
9 806,6500	9,8067	0,0981	1,4223	1,0000	73,5561
133,3220	0,1333	0,0013	0,0193	0,0136	1,0000

LENGTH

Millimetre mm	Centimetre cm	Metre m	Inch in	Foot ft	Yard yd
1,0000	0,1000	0,0010	0,0394	0,0033	0,0011
10,0000	1,0000	0,0100	0,3937	0,0328	0,0109
1 000,0000	100,0000	1,0000	39,3701	3,2808	1,0936
25,4000	2,5400	0,0254	1,0000	0,0833	0,0278
304,8000	30,4800	0,3048	12,0000	1,0000	0,3333
914,4000	91,4400	0,9144	36,0000	3,0000	1,0000

VOLUME

Cubic metre m ³	Litre L	Millilitre ml	Imperial gallon imp. gal.	U.S. gallon US gal.	Cubic foot ft ³
1,0000	1 000,0000	1 x 10 ⁶	219,9694	264,1720	35,3147
0,0010	1,0000	1 000,0000	0,2200	0,2642	0,0353
1 x 10 ⁻⁶	0,0010	1,0000	2,2 x 10 ⁻⁴	2,642 x 10 ⁻⁴	3,53 x 10 ⁻⁵
0,0045	4,5461	4 546,0870	1,0000	1,2009	0,1605
0,0038	3,7854	3 785,4120	0,8327	1,0000	0,1337
0,0283	28,3168	28 316,8466	6,2288	7,4805	1,0000

TEMPERATURE

Water	Kelvin K	Celsius °C	Fahrenheit °F	$^{\circ}\text{F} = ^{\circ}\text{C} \times \frac{9}{5} + 32$ $^{\circ}\text{C} = (^{\circ}\text{F} - 32) \times \frac{5}{9}$
icing	273,1500	0,0000	32,0000	
boiling	373,1500	100,0000	212,0000	

G-at_pp-en_b_sc

FURTHER PRODUCT SELECTION AND DOCUMENTATION Xylect™



Xylect™ is pump solution selection software with an extensive online database of product information across the entire Lowara, and Vogel range of pumps and related products, with multiple search options and helpful project management facilities. The system holds up-to-date product information on thousands of products and accessories.

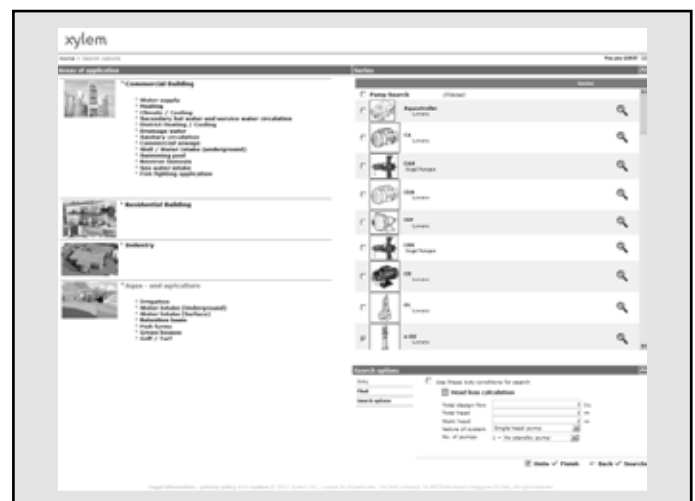
The possibility to search by applications and the detailed information output given makes it easy to make the optimal selection without having detailed knowledge about the Lowara and Vogel products.

The search can be made by:

- Application
- Product type
- Duty point

Xylect™ gives a detailed output:

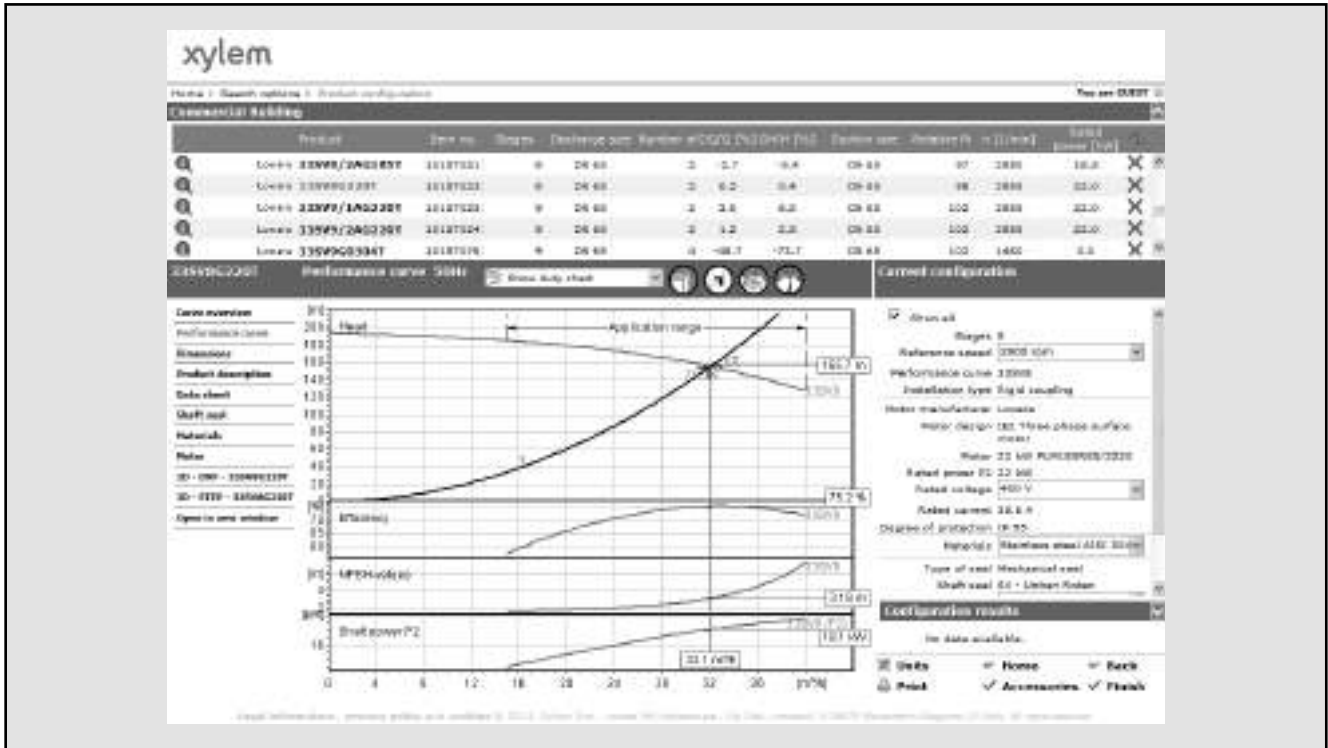
- List with search results
- Performance curves (flow, head, power, efficiency, NPSH)
- Motor data
- Dimensional drawings
- Options
- Data sheet printouts
- Document downloads incl dxf files



The search by application guides users not familiar with the product range to the right choice.

FURTHER PRODUCT SELECTION AND DOCUMENTATION

Xylect™



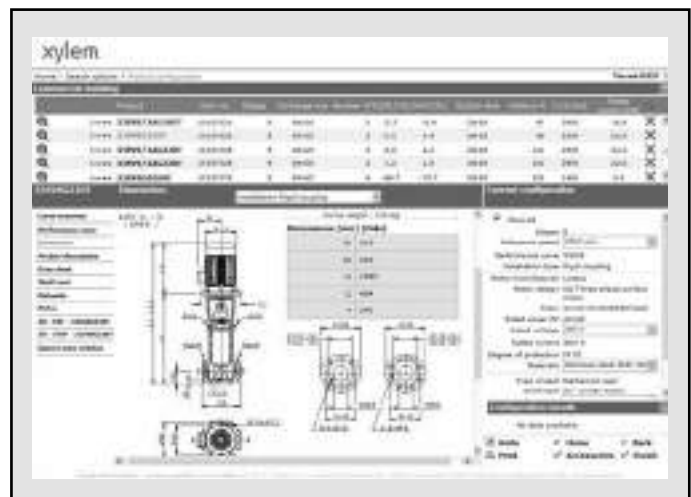
The detailed output makes it easy to select the optimal pump from the given alternatives.

The best way to work with Xylect™ is to create a personal account. This makes it possible to:

- Set own standard units
- Create and save projects
- Share projects with other Xylect™ users

Every user has a My Xylect space, where all projects are saved.

For more information about Xylect™ please contact our sales network or visit www.xylect.com.



Dimensional drawings appear on the screen and can be downloaded in dxf format.

Xylem |'zīləm|

- 1) The tissue in plants that brings water upward from the roots;
- 2) a leading global water technology company.

We're approximately 12,500 people unified in a common purpose: creating innovative solutions to meet our world's water needs. Developing new technologies that will improve the way water is used, conserved, and re-used in the future is central to our work. We move, treat, analyze, and return water to the environment, and we help people use water efficiently, in their homes, buildings, factories and farms. In more than 150 countries, we have strong, long-standing relationships with customers who know us for our powerful combination of leading product brands and applications expertise, backed by a legacy of innovation.

For more information on how Xylem can help you, go to xylem.com.



Legal head office
Xylem Water Solutions Italia Srl

Via Gioacchino Rossini 1/A
20020 - Lainate (MI) - Italy
Tel. (+39) 02 90358.1
Fax (+39) 02 9019990
www.xylemwatersolutions.com

For information and technical support
Xylem Service Italia Srl

Via Dottor Vittorio Lombardi 14
36075 - Montecchio Maggiore (VI) - Italy
Tel. (+39) 0444 707111
Fax (+39) 0444 491043
www.lowara.com

Xylem Water Solutions Italia Srl reserves the right to make modification without prior notice.
Lowara, Xylem are trademarks of Xylem Inc. or one of its subsidiaries
© 2015 Xylem, Inc.