

PowerSnake

Simple. Reliable. Powerful.

Designed and built specifically for washing down milking parlours and live stock containers, the Powersnake MK4 wash down pump is simple, reliable and can draw water from a well, stream or rainwater tank. Whilst the Powersnake MK4 is most popular for agricultural applications it is also suitable for industrial uses where swift cleaning is required. Operation is completely automatic; the wash down pump automatically starts and stops in response to the heavy duty brass nozzle.



PowerSnake is supplied as a complete wash down pump kit which includes:

- Cast iron, self priming jet pump
- Automatic pump controller
- 25mm x 25 Metre Hose
- Heavy duty brass nozzle
- 3 Metre Power Cable

Technical Characteristics

- Maximum water temperature: 40°C
- IE3 efficiency class electric motors
- Class F insulation
- IP55 protection
- Maximum suction lift: 8 Metres

Applications

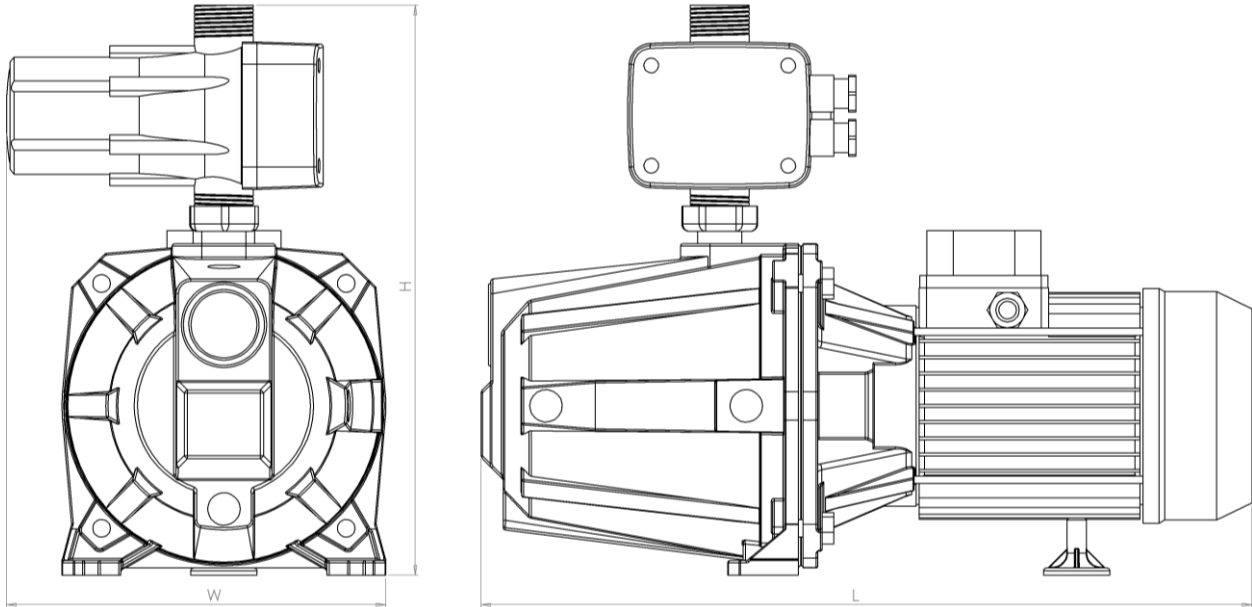
- Livestock farms
- Food preparation plants
- Abattoirs
- Industrial plants

Advantages

- Automatic start/stop control
- Dry run protection with manual re-set
- Strong and compact construction
- Factory tested and ready to use
- Plug & go installation

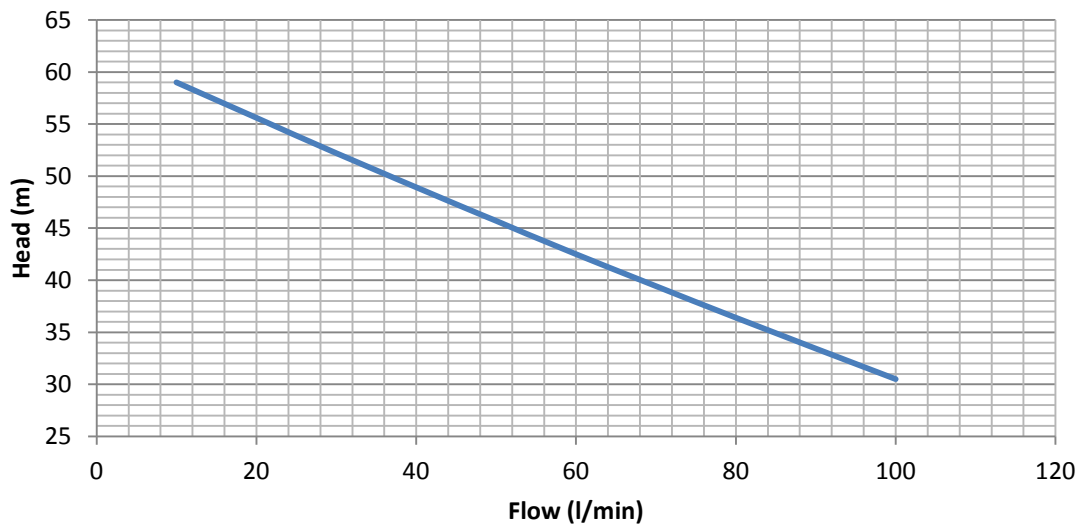
Materials

- Pump body: Cast iron
- Impeller: Brass
- Shaft seal: Carbon/Ceramic/NBR



Pump Type	Voltage (V)	Motor (kW)	Max Flow (l/min)	Max Head (M)	H	W	L
AGA 200	230	1.5	100	68	432	265	508

AGA 200



WHISPER PUMPS LTD

Leen Court, Boughton, Newark, Nottinghamshire, NG22 9ZD

Registered in England No 4548322