



MINIBOX Series

Prefabricated compact lifting systems designed to collect domestic effluent (excluding toilet waste) where gravity drainage is not possible.

SPECIFICATIONS

85-litre polythene tank

Pump: DOC series (DOC 3 or DOC 7)

equipped with a float switch for automatic operation

Power supply: single-phase
50 and 60 Hz

Power: 0.25 kW to 0.55 kW

Complete with: screen and sand filter basin, flexible tube with check valve, three diameter 40 mm outlet flanges

Installation is fast and easy, just connect the pipes and plug it in.

Minibox can be installed on the floor, buried or sunk in concrete (to withstand the weight of vehicles).

Minibox is fitted with a screen and sand filter basin for the collection of water infiltration or runoff, as in the case of a garage ramp.

APPLICATIONS

- Residential effluent (excluding toilet waste), rain water and domestic wastewater.



For a complete list of technical information, consult www.lowara.com

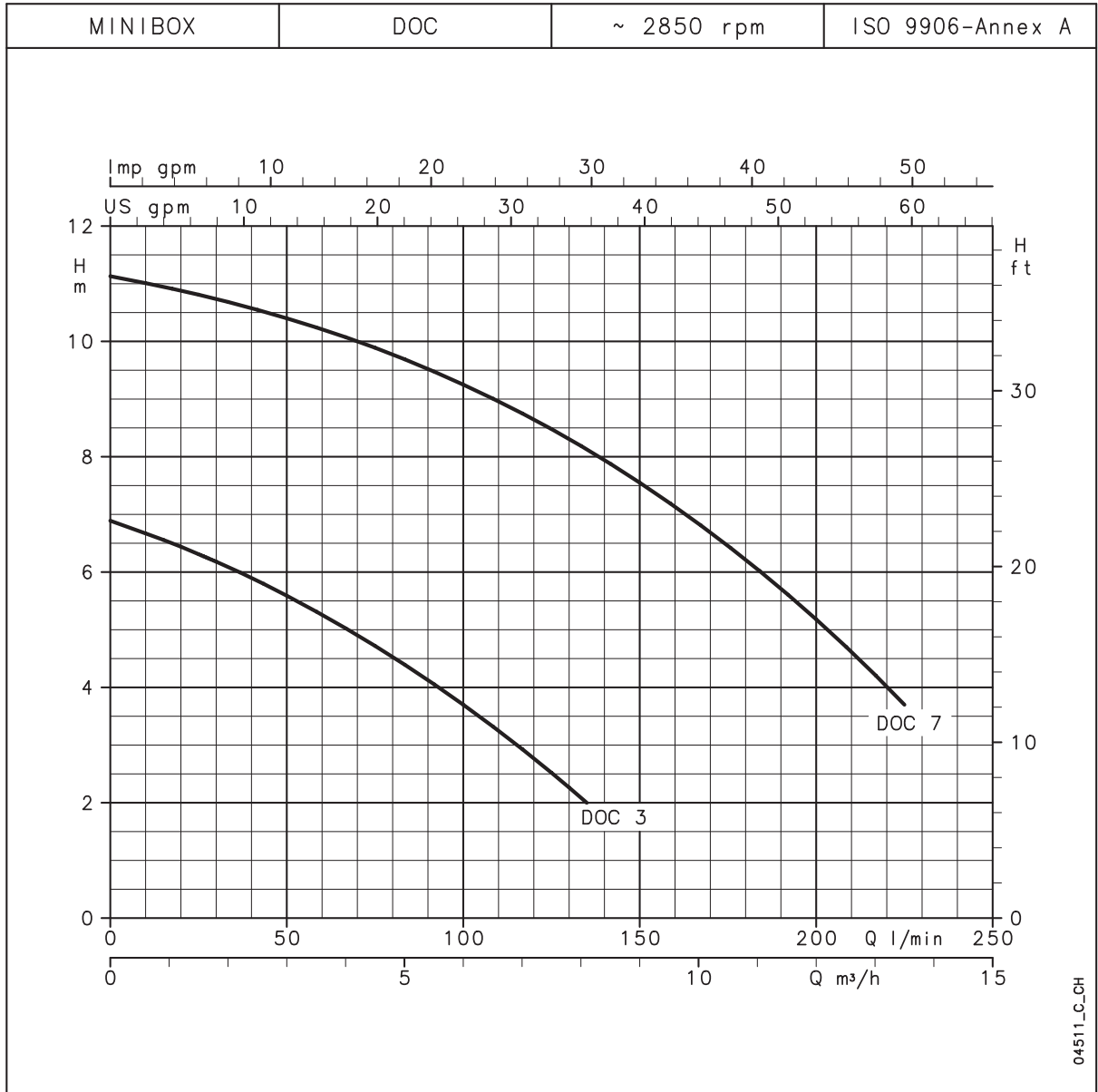
Engineered for life



General Catalogue

MINIBOX SERIES

OPERATING CHARACTERISTICS AT 50 Hz





General Catalogue

MINIBOX SERIES HYDRAULIC PERFORMANCE TABLE

PUMP TYPE	RATED POWER		Q = DELIVERY									
			l/min	0	25	50	75	100	125	135	175	225
			m ³ /h	0	1,5	3	4,5	6	7,5	8,1	10,5	13,5
				H = TOTAL HEAD IN COLUMN OF WATER (METRES)								
	kW	HP		6,9	6,3	5,6	4,7	3,7	2,5	2,0		
DOC3	0,25	0,33										
DOC7	0,55	0,75		11,1	10,8	10,4	9,9	9,3	8,5	8,1	6,5	3,7

These performances are valid for liquids with density $\rho = 1.0 \text{ kg/dm}^3$ and kinematic viscosity $\nu = 1 \text{ mm}^2/\text{s}$.

mbox_doc-2p50_b_th

ELECTRICAL DATA

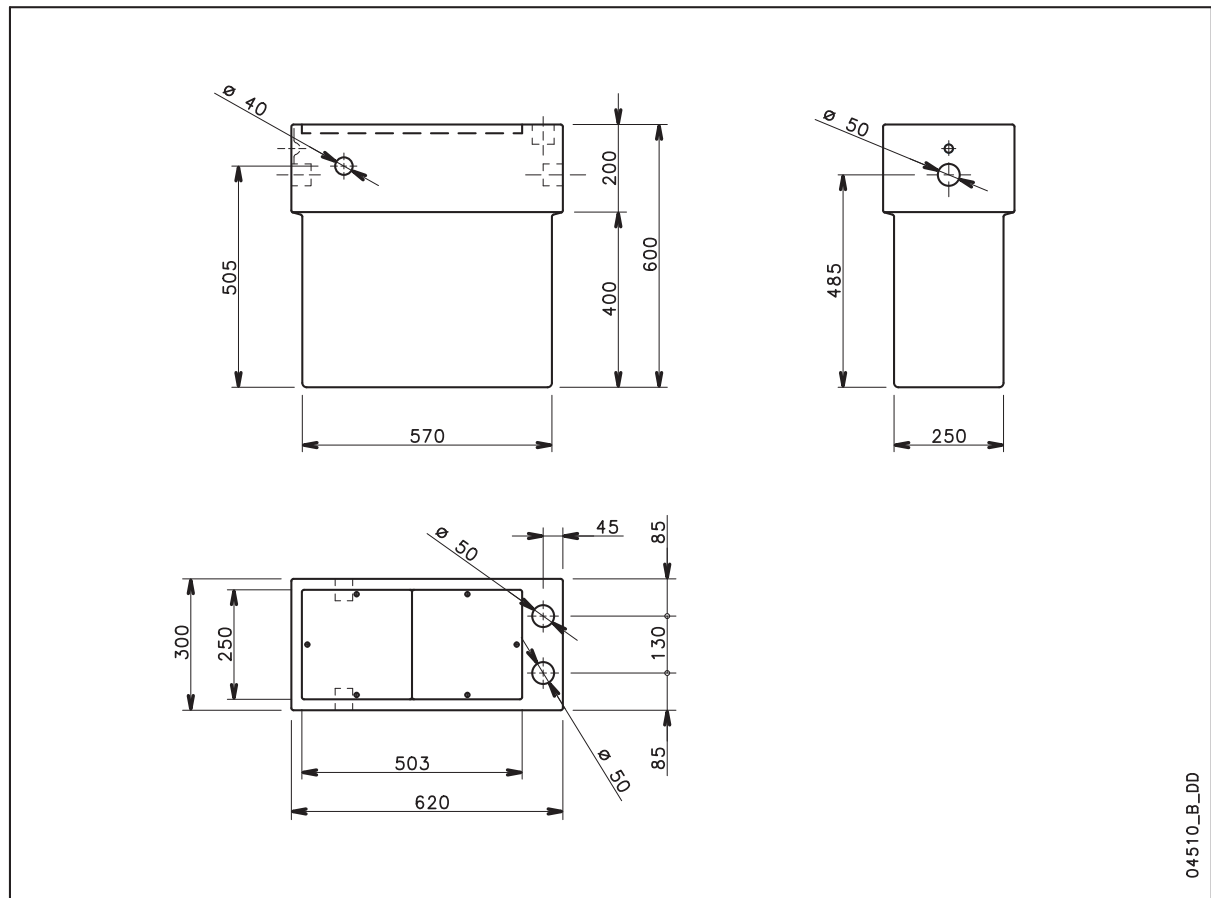
PUMP TYPE	INPUT POWER*	INPUT CURRENT* 220-240 V	CAPACITOR
SINGLE-PHASE	kW	A	$\mu\text{F} / 450 \text{ V}$
DOC 3	0,31	1,43	6,3
DOC 7	0,78	3,47	16

*Maximum value in specified range

PUMP TYPE	INPUT POWER*	INPUT CURRENT* 220-240 V	INPUT CURRENT* 380-415 V
THREE-PHASE	kW	A	A
-	-	-	-
-	-	-	-

mbox_doc-2p50_a_te

MINIBOX SERIES DIMENSIONS AND WEIGHTS



O4510_B_DD