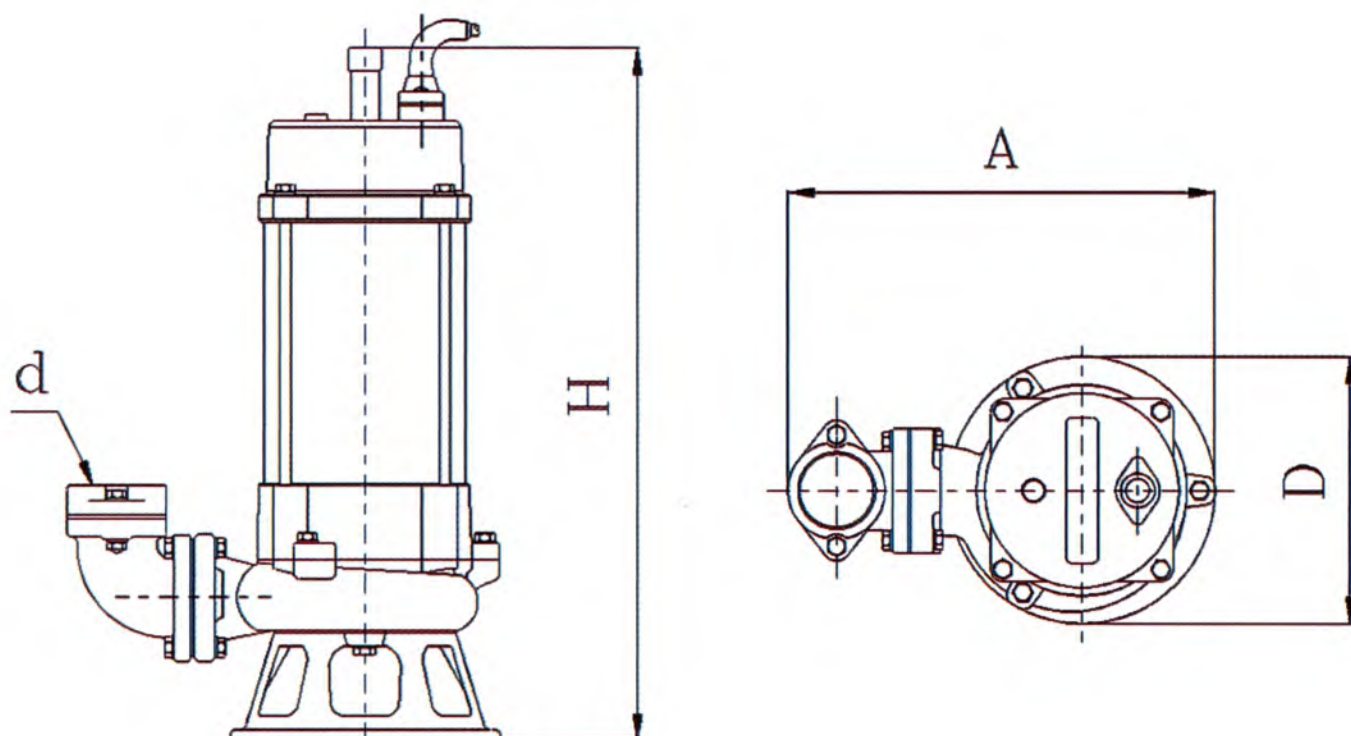
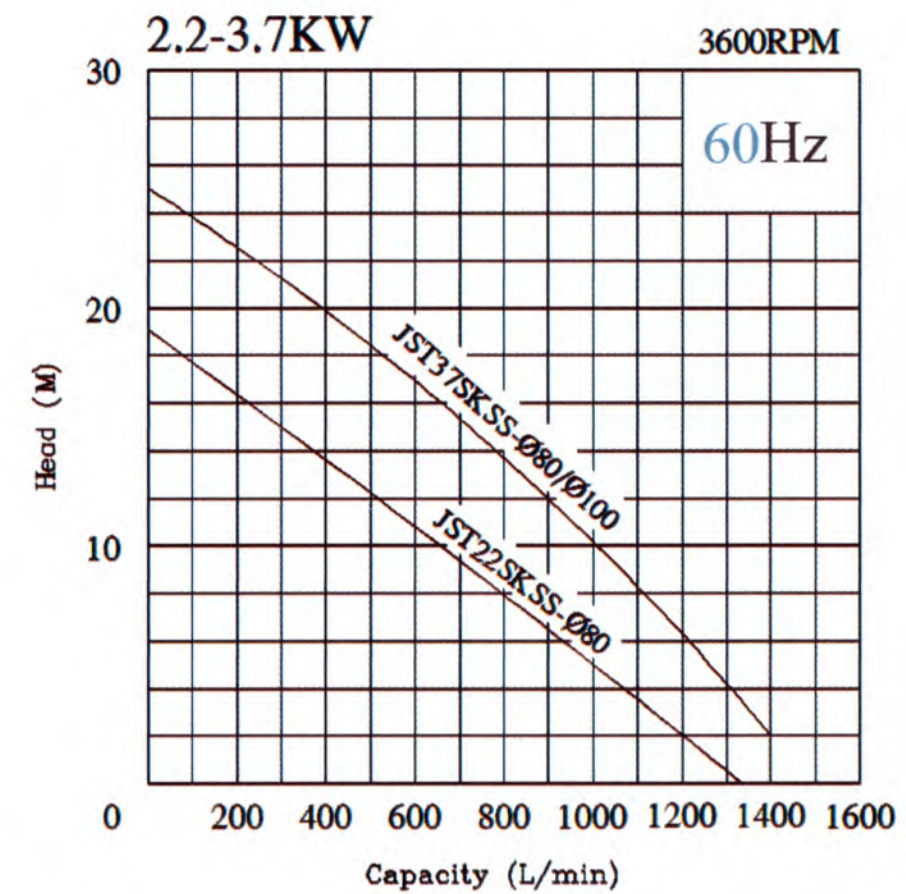
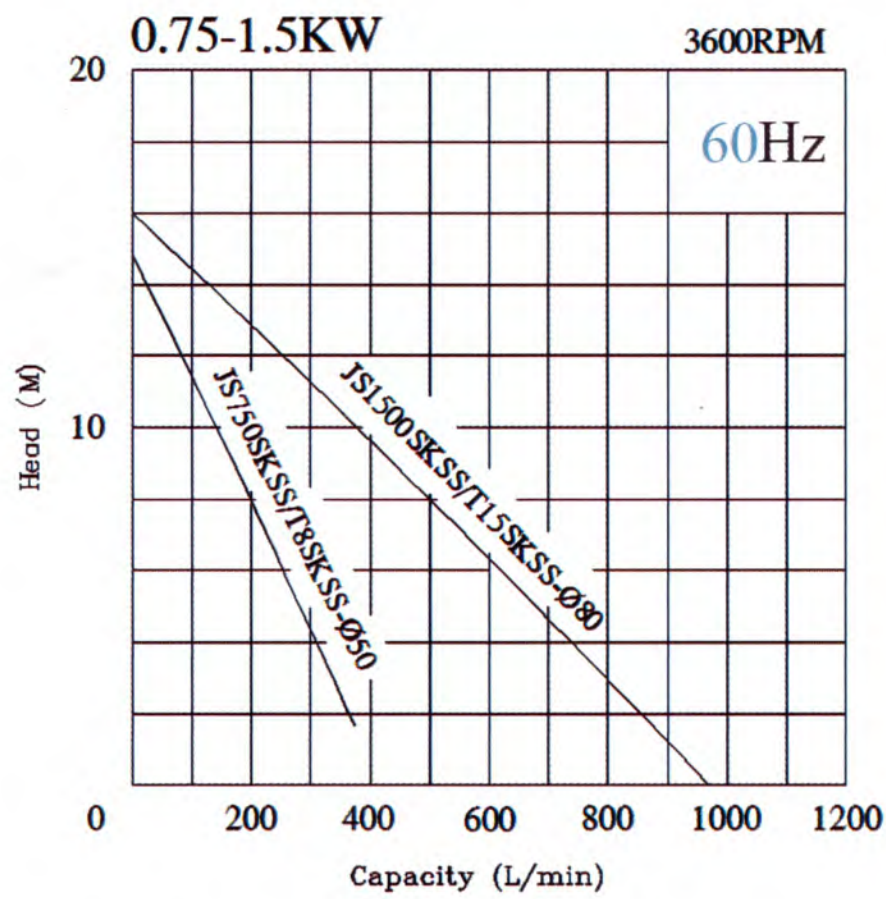
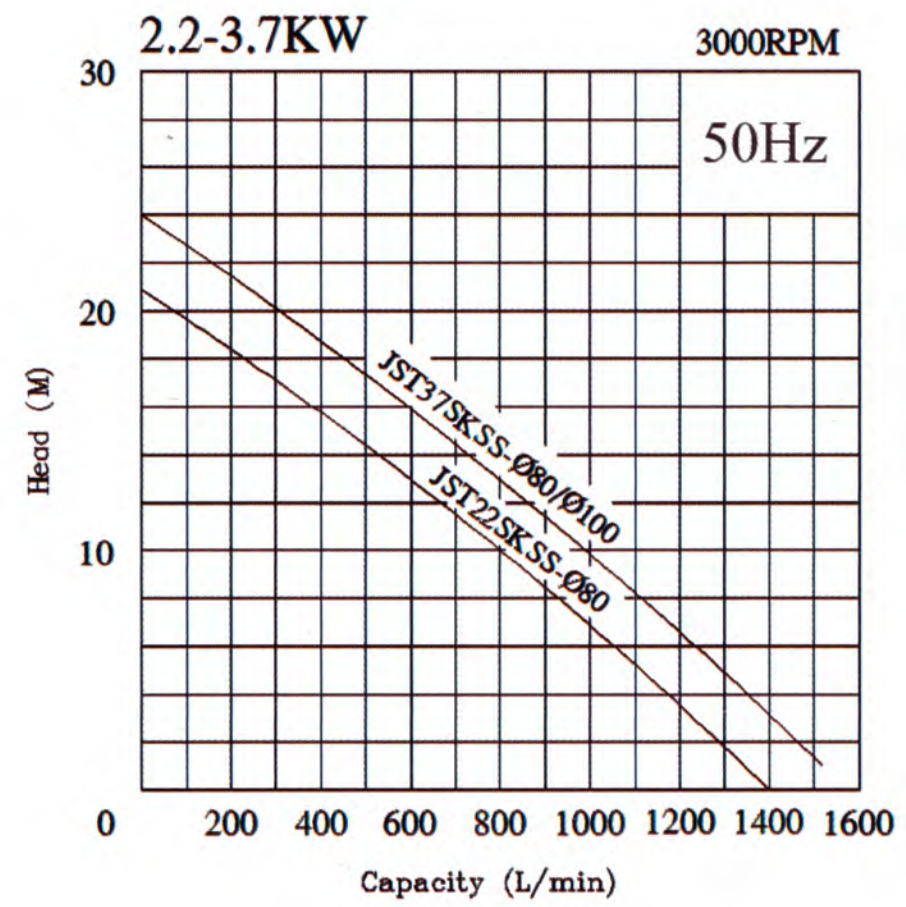
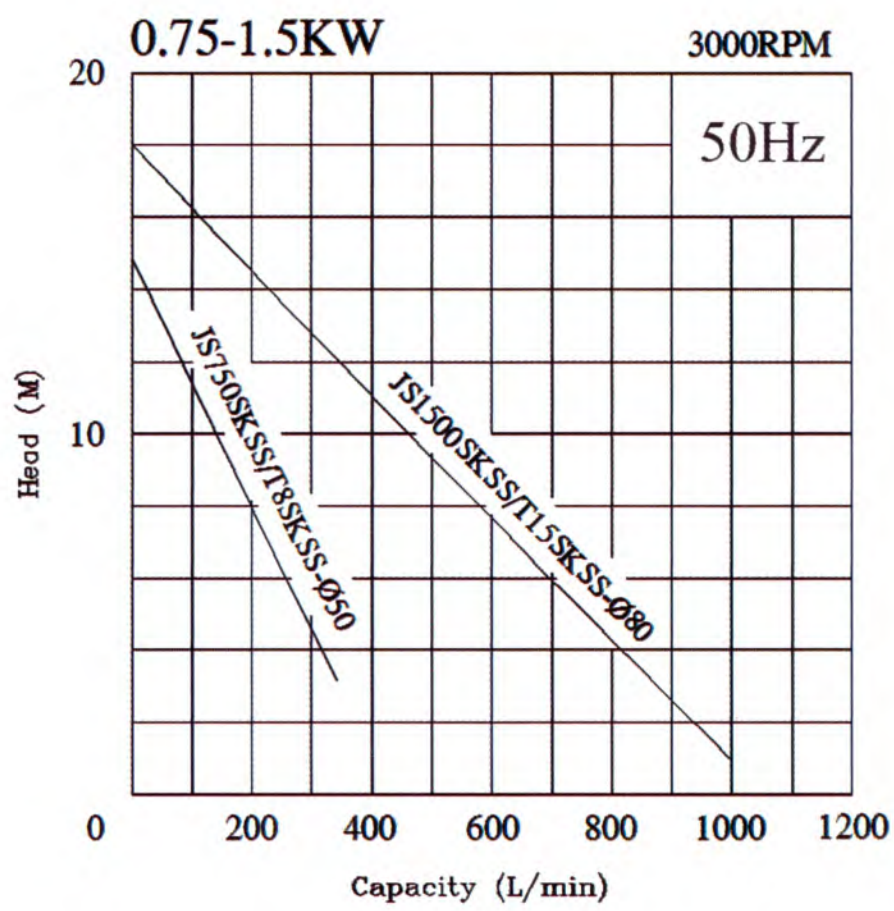


# SKSS Performance Curve

50/60

| Pump Type  | Output KW | Output HP | Discharge Inch | Voltage              | Max    |                |          | Cable M | Weight kg |
|------------|-----------|-----------|----------------|----------------------|--------|----------------|----------|---------|-----------|
|            |           |           |                |                      | Head M | Capacity L/Min | Solid mm |         |           |
| JS750SKSS  | 0.75      | 1         | 2              | 1 phase<br>100V-240V | 15     | 350/370        | 21/21    | 10      | 27        |
| JS1500SKSS | 1.5       | 2         | 3              |                      | 18/16  | 1000/960       | 44/40    | 10      | 38        |
| JST8SKSS   | 0.75      | 1         | 2              | 3 phase<br>200V-600V | 15     | 350/370        | 21/21    | 10      | 26        |
| JST15SKSS  | 1.5       | 2         | 3              |                      | 18/16  | 1000/960       | 44/40    | 10      | 35        |
| JST22SKSS  | 2.2       | 3         | 3              |                      | 21/19  | 1400/1300      | 44/40    | 10      | 43        |
| JST37SKSS  | 3.7       | 5         | 3 or 4         |                      | 24/25  | 1500/1400      | 35/44    | 10      | 47        |



## Dimensions (mm)

| PUMP TYPE  | DISCHARGE BORE | PUMP SECTION |     |     |
|------------|----------------|--------------|-----|-----|
|            | d              | A            | D   | H   |
| JS750SKSS  | 2"(50)         | 310          | 195 | 530 |
| JS1500SKSS | 3"(80)         | 360          | 240 | 590 |
| JST8SKSS   | 2"(50)         | 310          | 195 | 465 |
| JST15SKSS  | 3"(80)         | 360          | 240 | 515 |
| JST22SKSS  | 3"(80)         | 400          | 240 | 560 |
| JST37SKSS  | 3"(80)         | 400          | 245 | 600 |
| JST37SKSS  | 4"(100)        | 450          | 245 | 600 |



# SKSS Series

JS PUMP



## SKSS Shredder Pumps

Corrosive waste, farm effluent, sump pits, animal waste, landfill leachate

Corrosion resistant 316 stainless steel shredder pumps with tungsten carbide tip impeller and serrated suction cover. All wet parts are made of 316 stainless steel. Elastomers and O-rings are made of Viton. Ideal for corrosive waste that have solids needed to be shredded or cut. Available with slide rail system to save maintenance cost and time.

### Construction Material

- 316 stainless steel construction.
- Double mechanical seals.
- Hardened tungsten carbide tip impeller.
- Class F motor insulation.
- Shaft sleeve saves on shaft wear due to abrasives and corrosion.
- Lip seal provides additional protection for mechanical seals by keeping impurities and abrasives away.
- Thermal overload protection guards against high amperage and high temperature.
- Enhanced cable entry sealing system.



| NO.   | DESCRIPTION           | MATERIAL  |
|-------|-----------------------|-----------|
| 01    | STRAINER              | SUS 316   |
| 03    | NUT                   | SUS 316   |
| 04    | WASHER                | SUS 316   |
| 05    | IMPELLER              | SUS 316   |
| 06    | KEY                   | SUS 316   |
| 07    | PUMP HOUSING          | SUS 316   |
| 08    | OIL CHAMBER           | SUS 316   |
| 08-1  | ORING                 | VITON     |
| 09    | LIP SEAL (LOWER)      | VITON     |
| 11    | PLUGS                 | SUS 316   |
| 13    | MECHANICAL SEAL       | SIC / CAR |
| 14    | BEARING (BOTTOM)      |           |
| 16    | MOTOR CASING          | SUS 316   |
| 17    | ROTOR SHAFT           | SUS 316   |
| 18    | STATOR                | H-23      |
| 19    | GOVERNOR SWITCH       |           |
| 19B   | GOVERNOR SWITCH PLATE |           |
| 20    | BEARING (UP)          |           |
| 21A   | MOTOR BOTTOM COVER    | SUS 316   |
| 21A-1 | ORING                 | VITON     |
| 21B   | MOTOR UPPER COVER     | FC 200    |
| 23    | OVERLOAD PROTECTOR    |           |
| 24    | CONDENSER             |           |
| 26    | UPPER COVER           | SUS 316   |
| 26-1  | ORING                 | VITON     |
| 27    | CABLE GLAND           |           |
| 27-1  | GASKET                | VITON     |
| 28    | RUBBER SLEEVE         | NBR       |
| 31    | CABLE                 | PVC       |
| 34    | HANDLE                | SUS 316   |
| 37    | OIL                   | T-32      |
| 38E   | ELBOW                 | SUS 316   |
| 38E-1 | GASKET                |           |
| 38F   | FLANGE                | SUS 316   |
| 38F-1 | GASKET                |           |

