

## HC100 Chemical Dosing pump



- Analogue solenoid driven metering pump at constant flow rate
- Double scale pulse reduction 0-100% & 0-20%
- Power supply: 240Vac 50/60Hz
- Optional 110Vac available
- IP65 protection
- Analogue control
- 2 LED display status
- Manual air bleed valve for quick priming
- Wall or foot mounting (by mounting brackets)
- Complete installation kit – Foot filter, injection fitting, dosing tube & wall mounting bracket with screws

The **HC100** is a solenoid driven dosing pump, diaphragm actuated, for standard duties where a constant dosing operation with a reliable performance is required. Designed for either continuous or intermittent operation, they are a reliable means of conveying strong chemicals under precise control into water treatment and process systems. They operate on the well proven principle of electromagnetic drive, with electronic frequency control. Their frequency (stroking speed) is adjustable in 2 speed ranges selectable via a two position switch which is also mounted on the fascia.

**Constant mode:** The pump flow rate is adjusted via a stroke frequency knob. The pump will constantly perform the dosing operation according to the flow rate selector by the selected frequency

**Double scale adjustment:** For accurate control of flow, a pump pulses reduction selector from 0-100% & 0-20%.



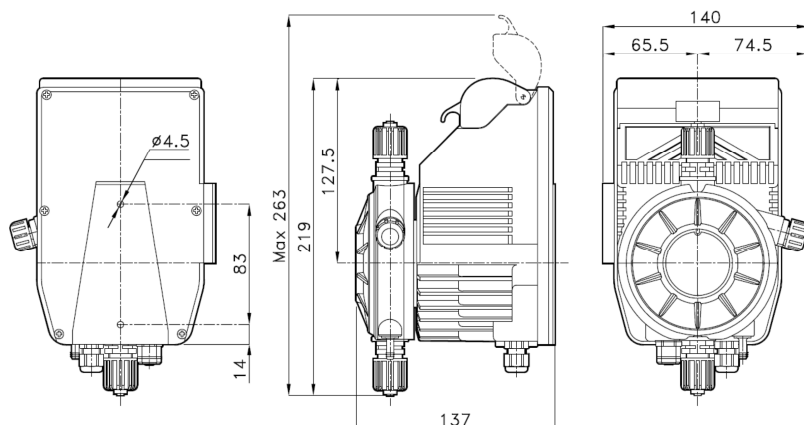
## Technical Characteristics

Order Code	Model	Flow rate		Stroke Volume ml	Strokes	Consumption Watt	Hose	Pump Head
		Ltr/Hr	Press Bar					
AD1000207	HC100-02-07	2	7	0.32	105	16	4x6	PP 3/8"
AD1000405	HC100-04-05	4	5	0.64	105	16	4x6	PP 3/8"

## Liquid End Materials

HC100	Standard version	Upon Request
Pump Head	Polypropylene	PVDF/PVC Auto head
Diaphragm	PTFE	-
Balls	Pyrex	PTFE-Ceramic
Valve Body	Polypropylene	PVDF
O-Rings	Viton	EPDM
Injection fitting	Polypropylene	PVDF
Foot valve strainer	Polypropylene	PVDF

## Dimensions



NOTE: for horizontal mounting version which requires a bracket, add the code ADBAS100