

# ThermoWave™ SERIES



## FEATURES

- High grade butyl diaphragm
- Virgin polypropylene liner
- Two part polyurethane, epoxy primed paint finish
- Patented stainless steel water connection
- Leak free, o-ring sealed air valve cap
- Comprehensive testing
- Maintenance free

ThermoWave™ expansion tanks are specially designed for use in potable water heating applications.

Many homes and buildings have potable water heating systems to provide hot water for washing, cooking, showering, etc. As the water is heated it also expands. This expansion leads to increased system pressure and can cause serious damage. In most systems a relief valve is installed to vent the expanded water volume and prevent the system from exceeding maximum operating pressure. Unfortunately this creates wasted energy as hot water is vented and additional water must be filled and heated again. In order to safely accommodate the natural expansion of water without venting from a relief valve, a ThermoWave™ expansion tank is used. ThermoWave™ expansion tanks conserve water and energy while safely maintaining system operating pressures. They do so by temporarily absorbing the expanded water volume instead of allowing it to be vented out of a relief valve. And because ThermoWave™ expansion tanks use water chambers constructed from high grade butyl diaphragms and virgin polypropylene liners they ensure your potable water remains clean and safe.

ThermoWave™ expansion tanks are quality tested at several stages on the production line to ensure the structural integrity of every tank.

ThermoWave™ expansion tanks represent the best value for the investment and are the best quality expansion tanks available today.

## SPECIFICATIONS

### ThermoWave™ Series Models

Model Numbers	Nominal Volume		Shipping (box) Volume		Shipping (box) Weight		Dimensions					
	liter	gal	m <sup>3</sup>	ft <sup>3</sup>	kg	lbs	A		B		C	
							cm	inches	cm	inches	cm	inches
<b>Inline Models</b>												
TWB-2LX*	2	0.5	0.055	1.94	12.80	28.22	20.6	8.1	12.6	5.0		
TWB-4LX	4	1.1	0.0075	0.26	1.64	3.62	25.33	10.16	16.20	6.40		
TWB-8LX	8	2.1	0.014	0.49	2.26	4.98	31.00	12.20	20.20	7.95		
TWB-12LX	12	3.2	0.023	0.81	3.08	6.79	36.40	14.33	23.00	9.06		
TWB-18LX	18	4.8	0.029	1.02	3.92	8.64	36.40	14.33	27.90	11.20		
TWB-24LX	24	6	0.042	1.48	4.90	10.80	44.40	17.48	29.00	11.42		
TWB-35LX	35	9.2	0.058	2.05	6.93	15.28	47.80	18.90	31.80	12.52		
<b>Horizontal Models</b>												
TWB-20LH	20	5.3	0.042	1.48	5.20	11.46	44.40	17.48	27.70	10.91	14.50	5.71
TWB-24LH	24	6	0.047	1.66	5.90	13.01	44.40	17.48	30.60	12.05	16.10	6.40
TWB-35LH	35	9.2	0.058	2.05	6.90	15.21	47.80	18.81	33.80	13.31	17.90	7.05
TWB-60LH	60	14	0.08	2.83	11.50	25.35	52.70	20.74	40.90	16.10	21.50	8.46
<b>Vertical Models w/ base</b>												
TWB-60LV	60	14	0.08	2.83	11.28	24.87	62.00	24.41	38.90	15.31	16.00	6.30

System Connection: 3/4" BSP

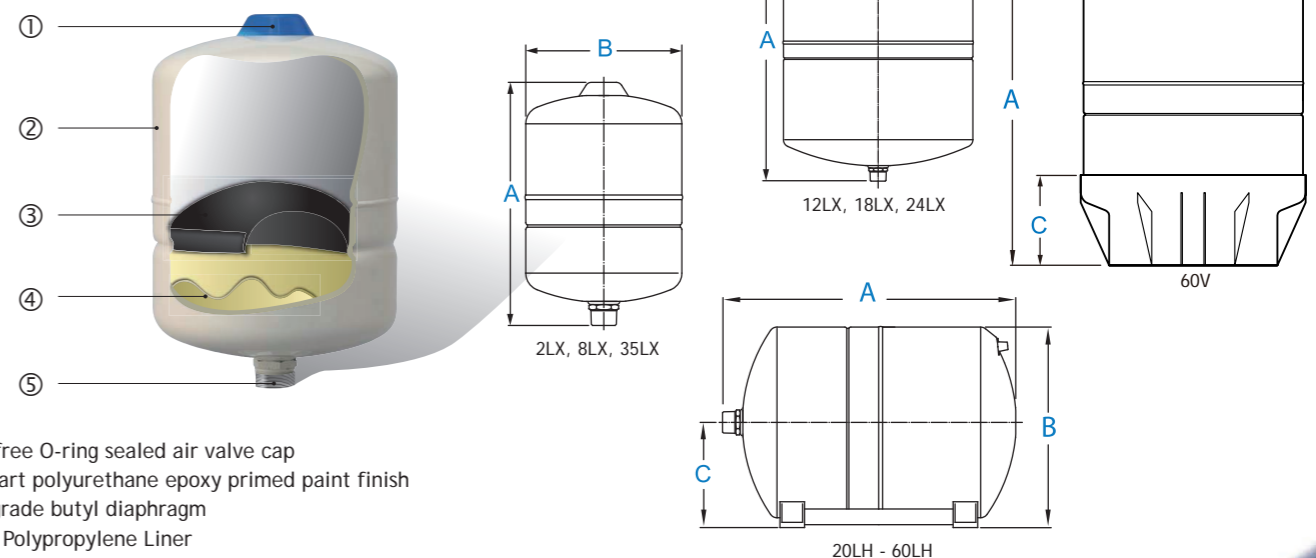
Maximum Working Pressure: 10 bar / 150 psi

Factory pre-charge: 1.9 bar / 28 psi

Maximum Working Temperature: 90°C / 194°F

\* TWB-2LX: 12 pcs/ box

Note: Minor dimensional variation may occur



- ① Leak-free O-ring sealed air valve cap
- ② Two-part polyurethane epoxy primed paint finish
- ③ High grade butyl diaphragm
- ④ Virgin Polypropylene Liner
- ⑤ Patented stainless steel water connection

ISO:9001



ACS Approved

