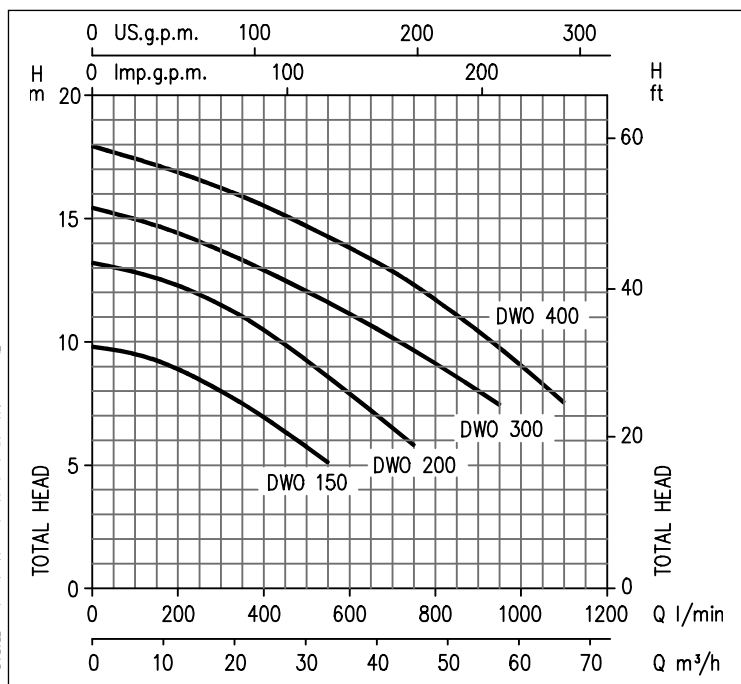


## OPEN IMPELLER CENTRIFUGAL ELECTRIC PUMPS

in AISI 304



**PERFORMANCE CURVES** (according to ISO 9906 Attachment A)



Open impeller centrifugal electric pumps in AISI 304 stainless steel.

### APPLICATIONS

- Washing vegetables, meat, fish, molluscs
- Industrial washing plants at cycle end
- Washing and surface finishing of metal pieces, boxes, washing bottles, vases, glass containers, crates, baskets
- Dishwashers, glasswashers, cupwashers for communities
- Painting booths
- Pumping, evacuation, transfer of liquids

### TECHNICAL DETAILS

- Sturdy structure
- Small dimensions
- Silent

### PUMP TECHNICAL DATA

- Maximum working pressure: 8 bar
- Maximum temperature of the liquid:
  - 5°C ÷ +90°C
  - 5°C ÷ +110° for H-HS-HW-HSW versions
- Maximum solids size for passage: 19 mm
- G2½ suction connection for DWO 300-400, G2 for the rest of the range
- G2 discharge connection

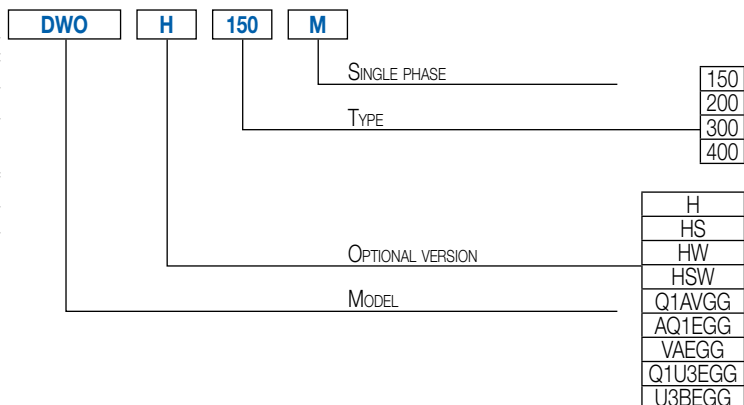
### MOTOR TECHNICAL DATA

- High efficiency IE2 motors starting from 0.75kW up to 5.5kW  
IE3 starting from 0.75kW
- Self-ventilated 2 pole asynchronous motor
- Class of insulation F
- IP55 protection degree
- 230V ±10% 50Hz single phase voltage,  
230/400V ±10% 50Hz three phase voltage
- Permanent capacitor inserted and thermo-amperometric protection with automatic rearm incorporated for the single phase motor
- Protection under user's responsibility for the three phase version

### MATERIALS

- Pump casing, casing cover, impeller and shaft (part in contact with the liquid) in AISI 304
- Bracket and motor frame in aluminium
- Mechanical seal in:
  - Ceramic/Carbon/NBR (standard)
  - special versions: see p. 27

### IDENTIFICATION CODE



# DWO

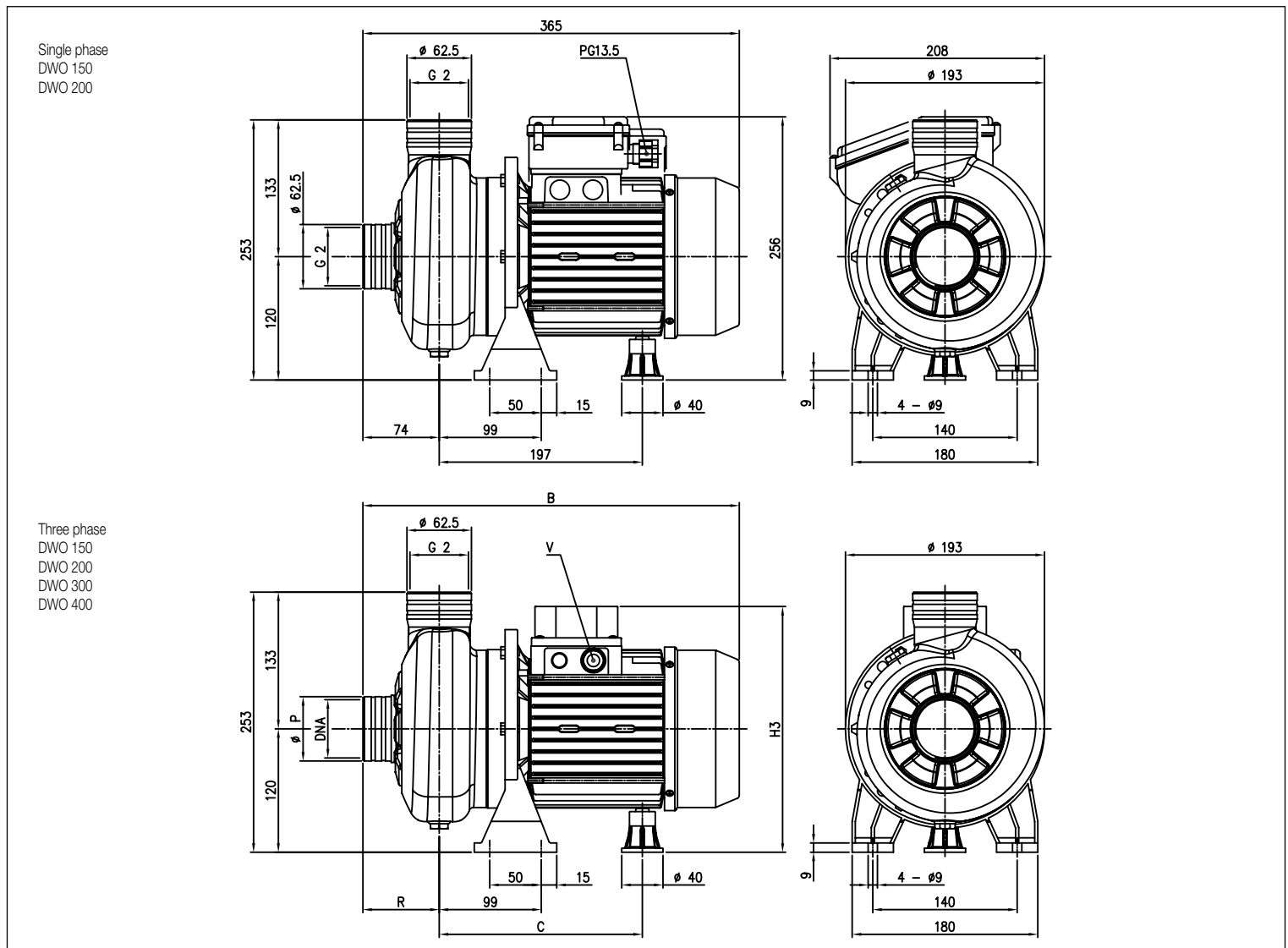
## OPEN IMPELLER CENTRIFUGAL ELECTRIC PUMPS

in AISI 304

### PERFORMANCE CHART

Model		P.		Q = Flow Rate								
Single phase 230V	Three phase 230/400V	[HP]	[kW]	l/min m <sup>3</sup> /h	100	200	300	400	550	750	950	1100
				H=Head [m]								
DWO 150 M	DWO 150	1.5	1.1	9.5	8.9	7.9	6.9	5.1	-	-	-	-
DWO 200 M	DWO 200	2	1.5	12.7	12.3	11.5	10.5	8.6	5.8	-	-	-
-	DWO 300	3	2.2	15.0	14.5	13.8	12.9	11.7	9.7	7.5	-	-
-	DWO 400	4	3	17.5	16.9	16.3	15.6	14.3	12.4	9.8	7.6	-

### DIMENSIONS



### DIMENSIONAL TABLE

Model	Dimensions [mm]												Weight [kg]						
	[1]	B	*	[1]	C	*	[1]	H3	*	R	[1]	P	[1]	V	*	DNA	[1]	[2]	[1]
DWO 150	365	390	197	197	239	239	74	62.5	PG11	M20x1.5	G 2	14.4	14.5	15.4					
DWO 200	378	390.5	197	197	239	239	74	62.5	PG11	M20x1.5	G 2	15.7	16.2	17.1					
DWO 300	416	394.5	230/241	197	244	239	78	80	PG 13.5	M20x1.5	G 2½	-	19.4	19.4					
DWO 400	455	455	230/241	230/241	244	244	78	80	PG 13.5	M20x1.5	G 2½	-	22.4	22.4					

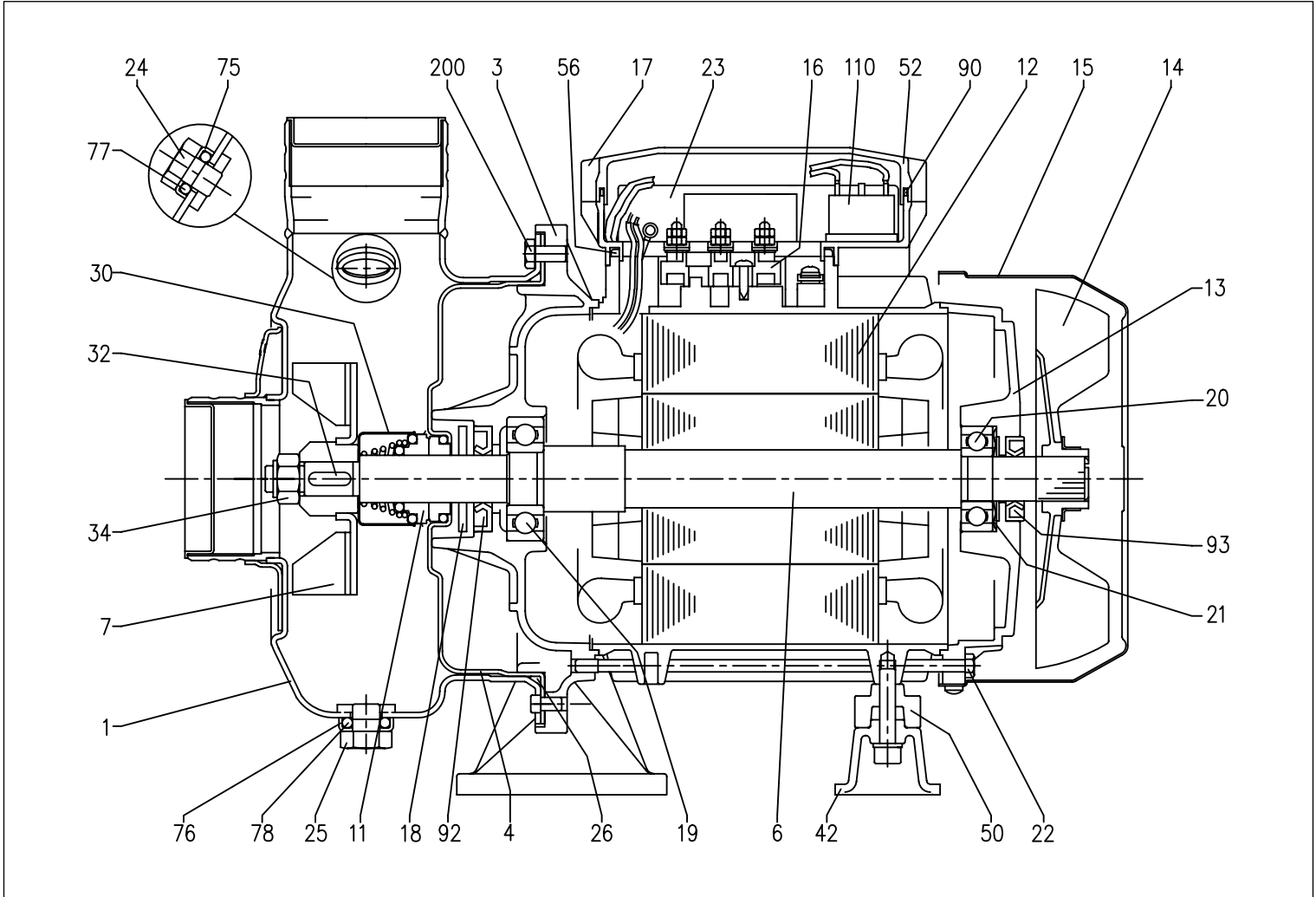
[1]= Three-phase only

[2]= Single phase only

## OPEN IMPELLER CENTRIFUGAL ELECTRIC PUMPS

in AISI 304

### SECTIONAL VIEW



### MATERIALS TABLE

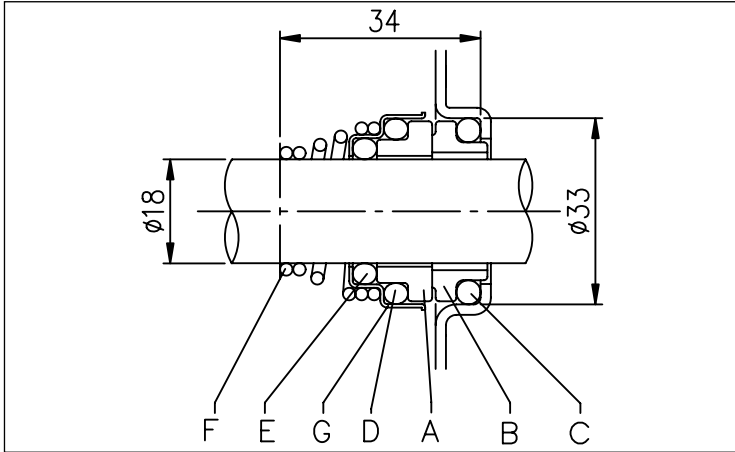
Ref.	Name	Materials	Ref.	Name	Materials
1	Pump casing	EN 1.4301 (AISI 304)	25	Plug	AISI 303
3	Motor bracket	Aluminium	26	O-Ring [3]	NBR
4	Casing cover	EN 1.4301 (AISI 304)	30	Splash washer	EN 1.4301 (AISI 304)
6	Shaft	EN 1.4301 (AISI 304) Part in contact with the liquid	32	Key	AISI 316
7	Impeller	EN 1.4301 (AISI 304)	34	Impeller nut	EN 1.4301 (AISI 304)
11	Mechanical seal	Ceramic/Carbon/NBR	42	Motor support	Aluminium
12	Motor frame	-	50	Spacer	-
13	Motor cover	Aluminium	52	Terminal box [2]	PP
14	Fan	PP	56	Terminal box cover gasket	NBR
15	Fan cover	Galvanised Fe P04	75	Washer	EN 1.4301 (AISI 304)
16	Terminal Box	-	76	Washer	EN 1.4301 (AISI 304)
17	Terminal Box cover [1]	Aluminium	77	O-Ring	NBR
18	Splash ring	NBR	78	O-Ring	NBR
19	Bearing (pump side)	-	90	Terminal box cover gasket [2]	NBR
20	Bearing (motor side)	-	92	Seal ring	-
21	Adjustment ring	Steel C70	93	Seal ring	-
22	Tie-rod	Galvanised Fe 42	110	Motor protector [2]	-
23	Capacitor [2]	-	200	Screw (pump body)	Stainless Steel A2 UNI7323
24	Plug	AISI 303			

[1]= Three-phase only [2]= Single phase only  
[3]= FKM for H-HS-HW-HSW versions

## OPEN IMPELLER CENTRIFUGAL ELECTRIC PUMPS

in AISI 304

### MECHANICAL SEAL standard



### MATERIALS TABLE

Ref.	Name	Materials
A	Rotating part	Ceramic
B	Fixed part	Carbon
C	O-Ring	NBR
D	O-Ring	NBR
E	O-Ring	NBR
F	Spring	AISI 316 L
G	Structure/frame	AISI 304

### SPECIAL MECHANICAL SEALS (on request)

Ref.	Name	Materials			
		H Version	HS Version	HW Version	HSW Version
A	Rotating part	Ceramic	Silicon Carbide	Tungsten Carbide	Silicon Carbide
B	Fixed part	Carbon	Silicon Carbide	Tungsten Carbide	Tungsten Carbide
C	O-Ring	FKM	FKM	FKM	FKM
D	O-Ring	FKM	FKM	FKM	FKM
E	O-Ring	FKM	FKM	FKM	FKM
F	Spring	AISI 316 L	AISI 316 L	AISI 316 L	AISI 316 L
G	Structure/frame	AISI 304	AISI 316	AISI 316	AISI 316

Ref.	Name	Materials				
		Q1AVGG Version	AQ1EGG Version	VAEGG Version	Q1U3EGG Version	U3BEGG Version
A	Rotating part	Silicon Carbide	Metallised carbon	Ceramic	Silicon Carbide	Tungsten Carbide
B	Fixed part	Metallised carbon	Silicon Carbide	Metallised carbon	Tungsten Carbide	Graphite
C	O-Ring	FKM	EPDM	EPDM	EPDM	EPDM
D	O-Ring	FKM	EPDM	EPDM	EPDM	EPDM
E	O-Ring	FKM	EPDM	EPDM	EPDM	EPDM
F	Spring	AISI 316	AISI 316	AISI 316	AISI 316	AISI 316
G	Structure/frame	AISI 316	AISI 316	AISI 316	AISI 316	AISI 316

### ELECTRIC DATA TABLE

Model	P <sub>2</sub>	Efficiency		Capacitor		Efficiency (%)			P <sub>1</sub>		Absorbed Current			
		Single phase	Three phase	Single phase	V <sup>c</sup>	Three phase			Single phase	Three phase	[A]			
						50%	75%	100%			230V	230V	400V	
DWO 150 M	1.5	1.1	-	IE2	35	450	79.7	82.5	83.0	1.36	1.80	6.8	5.6	3.2
-	1.5	1.1	-	IE3	-	-	83.0	85.8	85.6	-	1.77	-	5.8	3.3
DWO 200 M	2	1.5	-	IE2	40	450	78.6	83.0	84.2	2.05	1.78	9.0	6.3	3.7
-	2	1.5	-	IE3	-	-	82.7	86.1	87.0	-	1.72	-	6.6	3.8
-	3	2.2	-	IE2	-	-	83.1	85.7	86.2	-	2.55	-	7.8	4.5
-	3	2.2	-	IE3	-	-	86.2	87.0	86.0	-	2.55	-	8.2	4.7
-	4	3	-	IE2	-	-	85.0	86.7	86.3	-	3.48	-	10.6	6.1
-	4	3	-	IE3	-	-	85.9	87.5	87.1	-	3.44	-	11.1	6.4

### NOISE DATA TABLE

Model	P <sub>2</sub>	L <sub>ps</sub> - dB(A)*	
		Single phase	Three phase
DWO 150 M	1.5	1.1	<70
DWO 200 M	2	1.5	
-	3	2.2	
-	4	3	

\* Mean value of several measurements made at 1 m distance around the pump.  
Tolerance ± 2.5 dB.