



SuperSnake

Simple. Reliable. Powerful.

SuperSnake industrial washdown sets with automatic start/stop control featuring Lowara e-HM pumps. Supplied with 25 metre hose and heavy duty brass nozzle.



SuperSnake is supplied as a complete wash down pump kit which includes:

- Stainless steel multistage pump
- Automatic pump controller
- 25mm x 25 Metre Hose
- Heavy duty brass nozzle
- 3 Metre Power Cable

Technical Characteristics

- Horizontal multistage centrifugal electric pumps in AISI 304 stainless steel
- WRAS approved components
- Maximum water temperature: 40 °C
- IE3 efficiency class electric motors
- Class F insulation
- IP55 protection

Applications

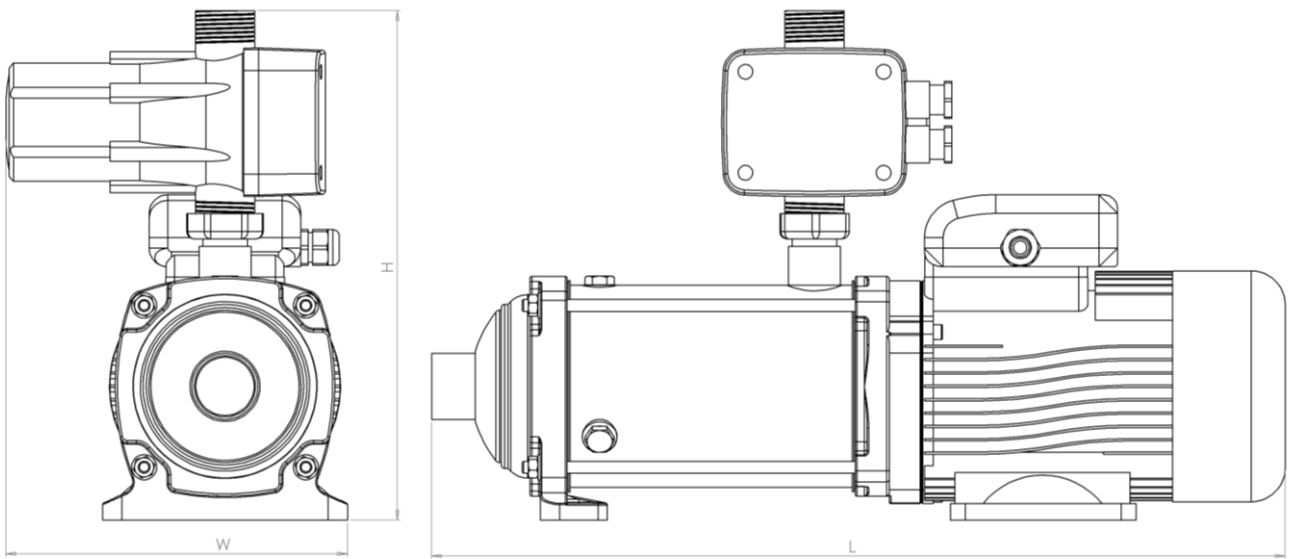
- Food preparation plants
- Abattoirs
- Industrial plants
- Livestock farms

Materials

- Pump casing, impellers, intermediate stages, seal housing disc and shaft in Stainless Steel EN 1.4301 (AISI 304)
- Mechanical seal in Carbon/Ceramic/EPDM

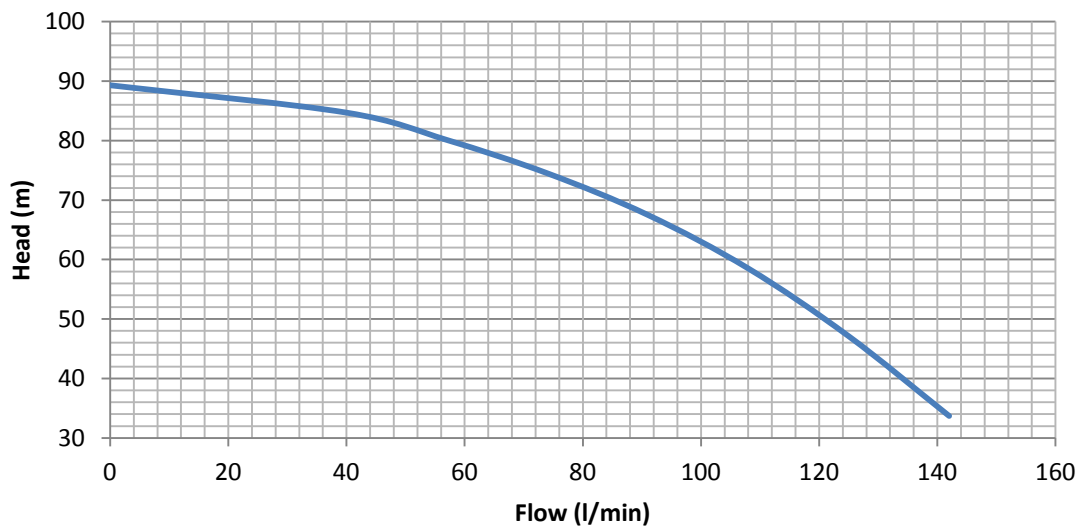
Advantages

- Automatic start/stop control
- Dry run protection with manual re-set
- Very quiet operation
- Strong and compact construction
- Factory tested and ready to use
- Plug & go installation



Pump Type	Voltage (V)	Motor (kW)	Max Flow (l/min)	Max Head (M)	H	W	L
5HM12 SP	230	1.5	142	91	369	238	625

5HM12 - SP



WHISPER PUMPS LTD

Leen Court, Boughton, Newark, Nottinghamshire, NG22 9ZD

Registered in England No 4548322