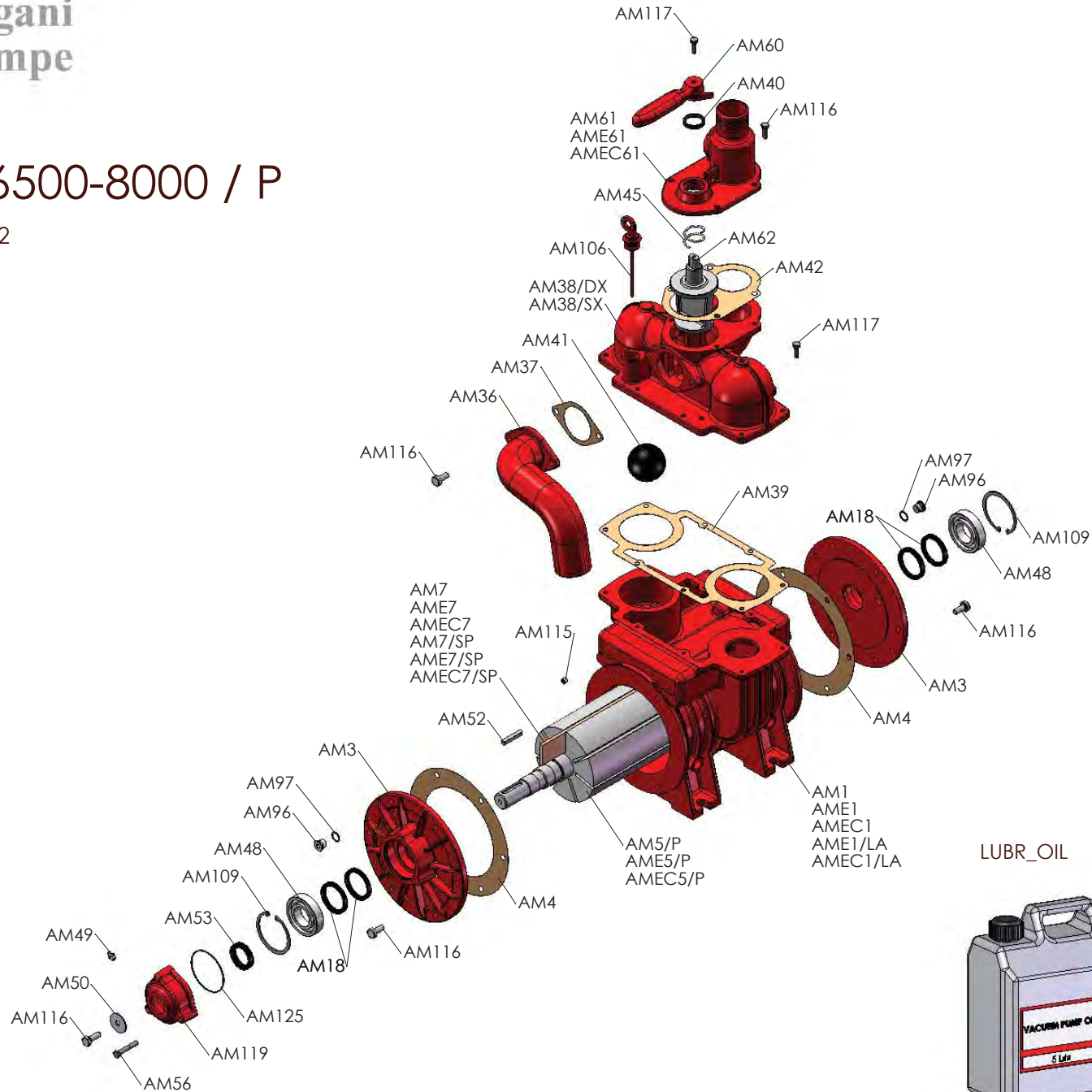




**Battioni®
Pagani
Pompe**

MEC 5000-6500-8000 / P

Rel. 0 deted 01/03/2012

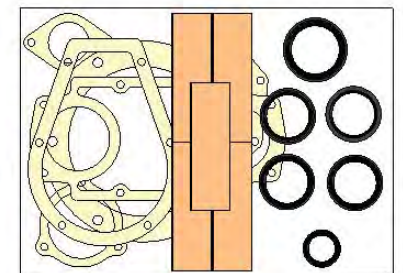


- AM123
- AME123
- AMEC123
- AM123/SP
- AME123/SP
- AMEC123/SP

LUBR_OIL



REBUILD KIT

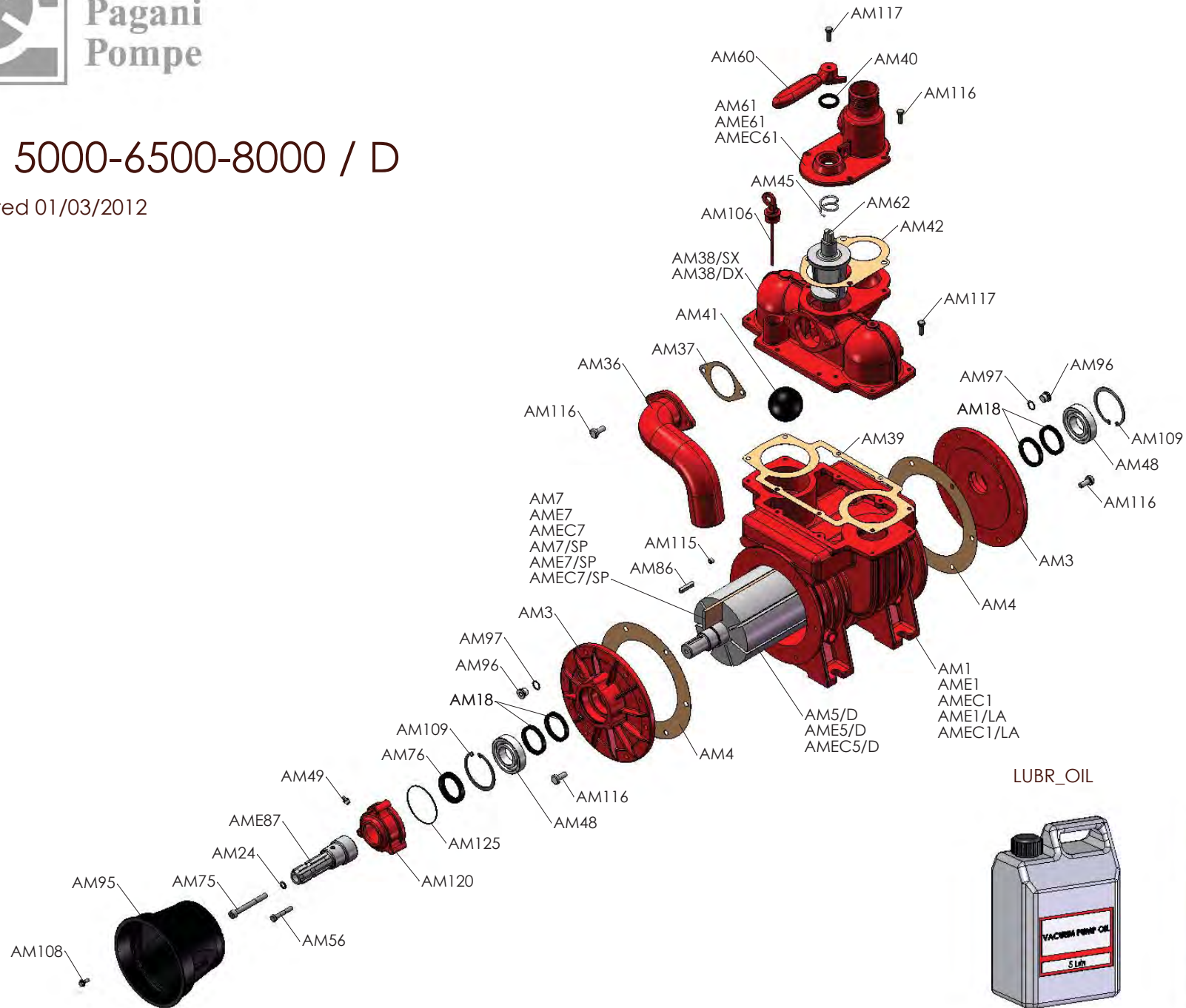




Battioni®
Pagani
Pompe

MEC 5000-6500-8000 / D

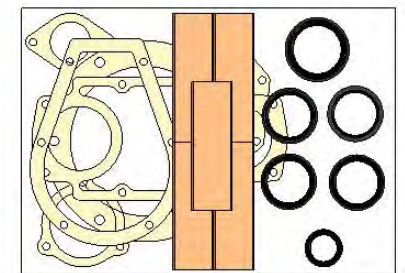
Rel. 0 dated 01/03/2012



LUBR_OIL



REBUILD KIT

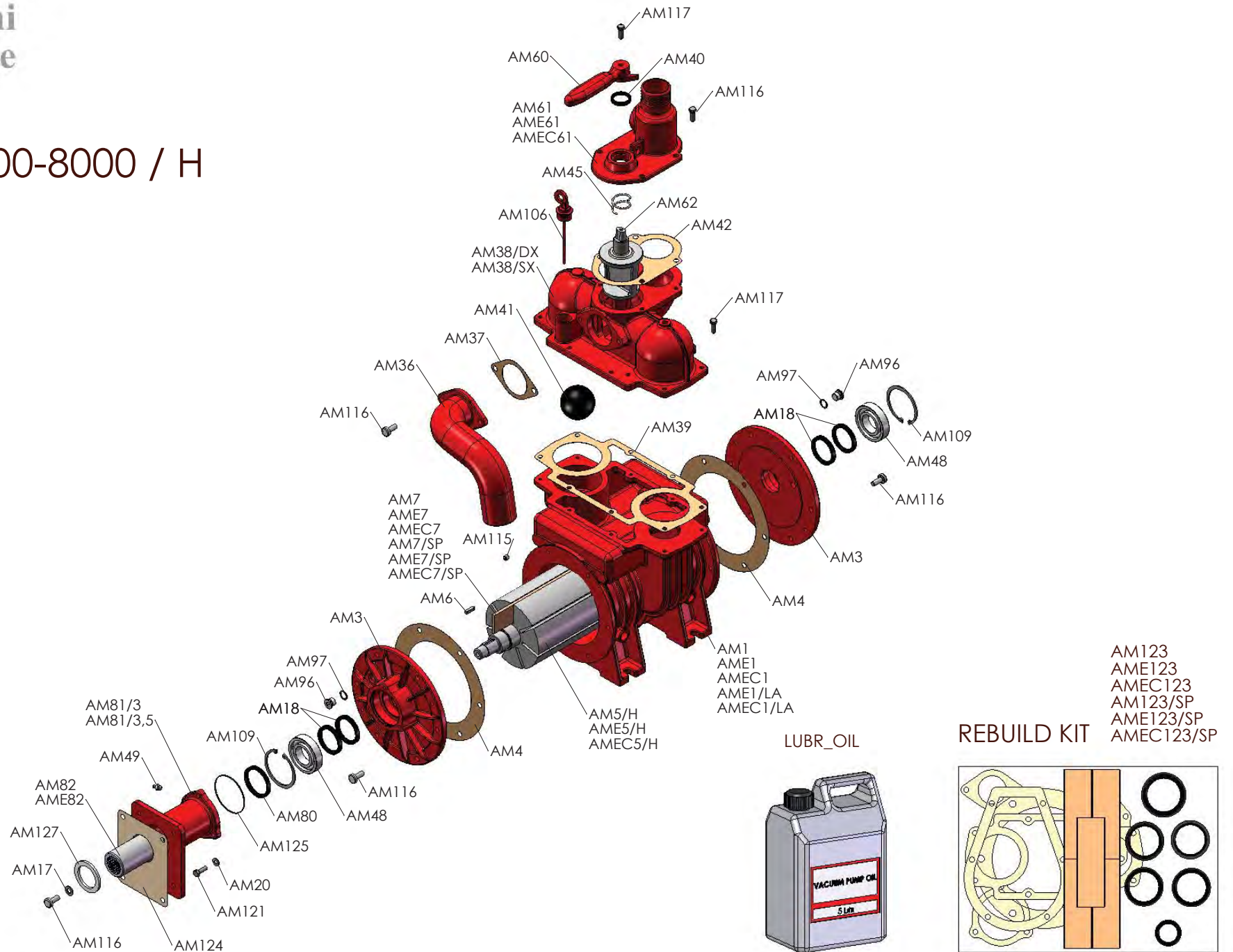




Battioni®
Pagani
Pompe

MEC 5000-6500-8000 / H

Rel. 0 dated 01/03/2012

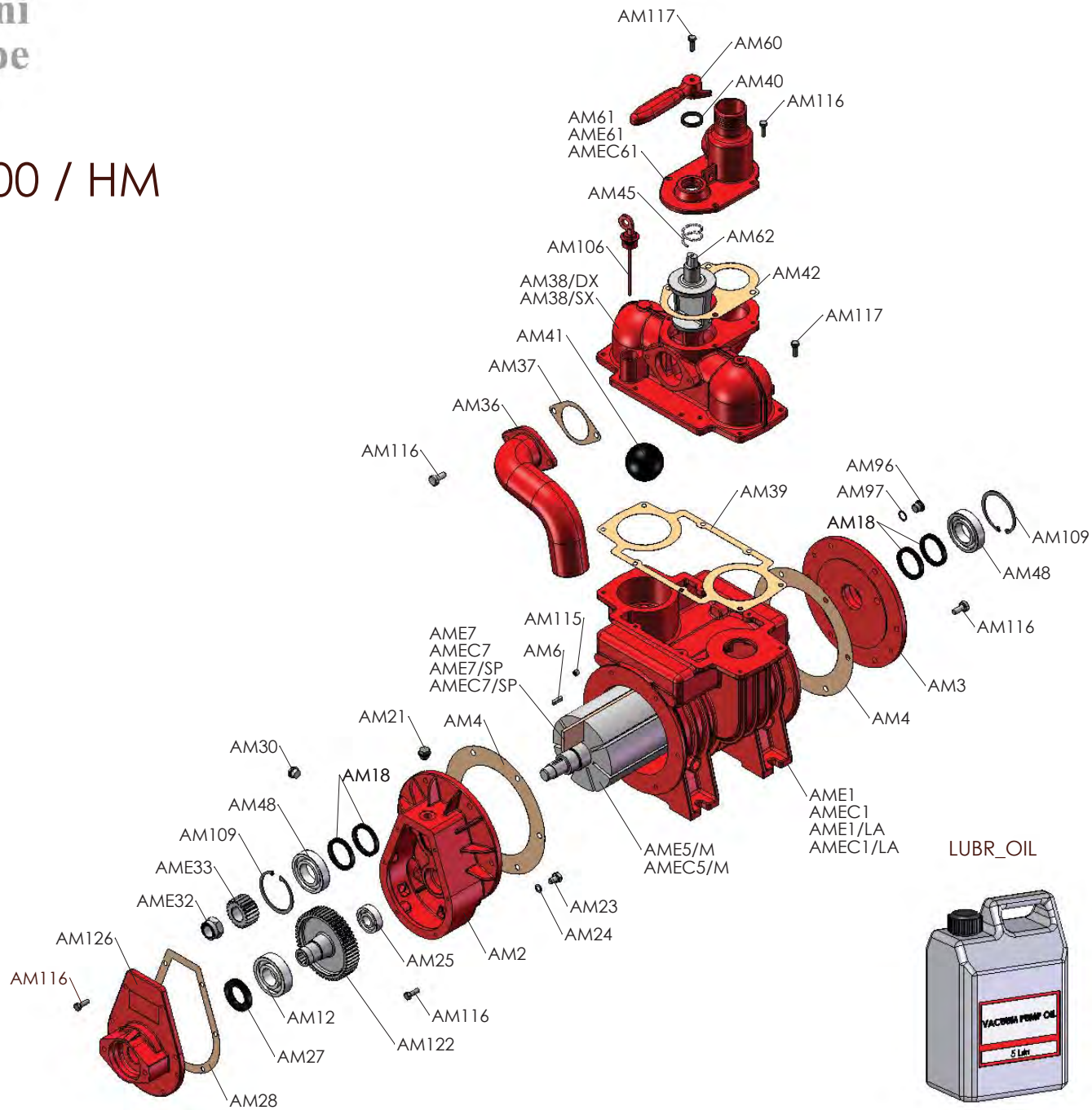




Battioni®
Pagani
Pompe

MEC 6500-8000 / HM

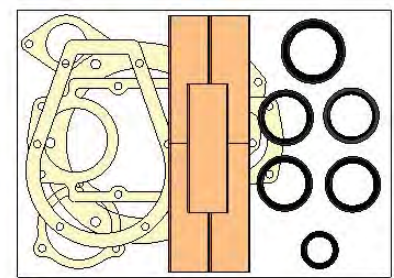
Rel. 0 deted 01/03/2012



LUBR_OIL



REBUILD KIT
 AME123
 AMEC123
 AME123/SP
 AMEC123/SP

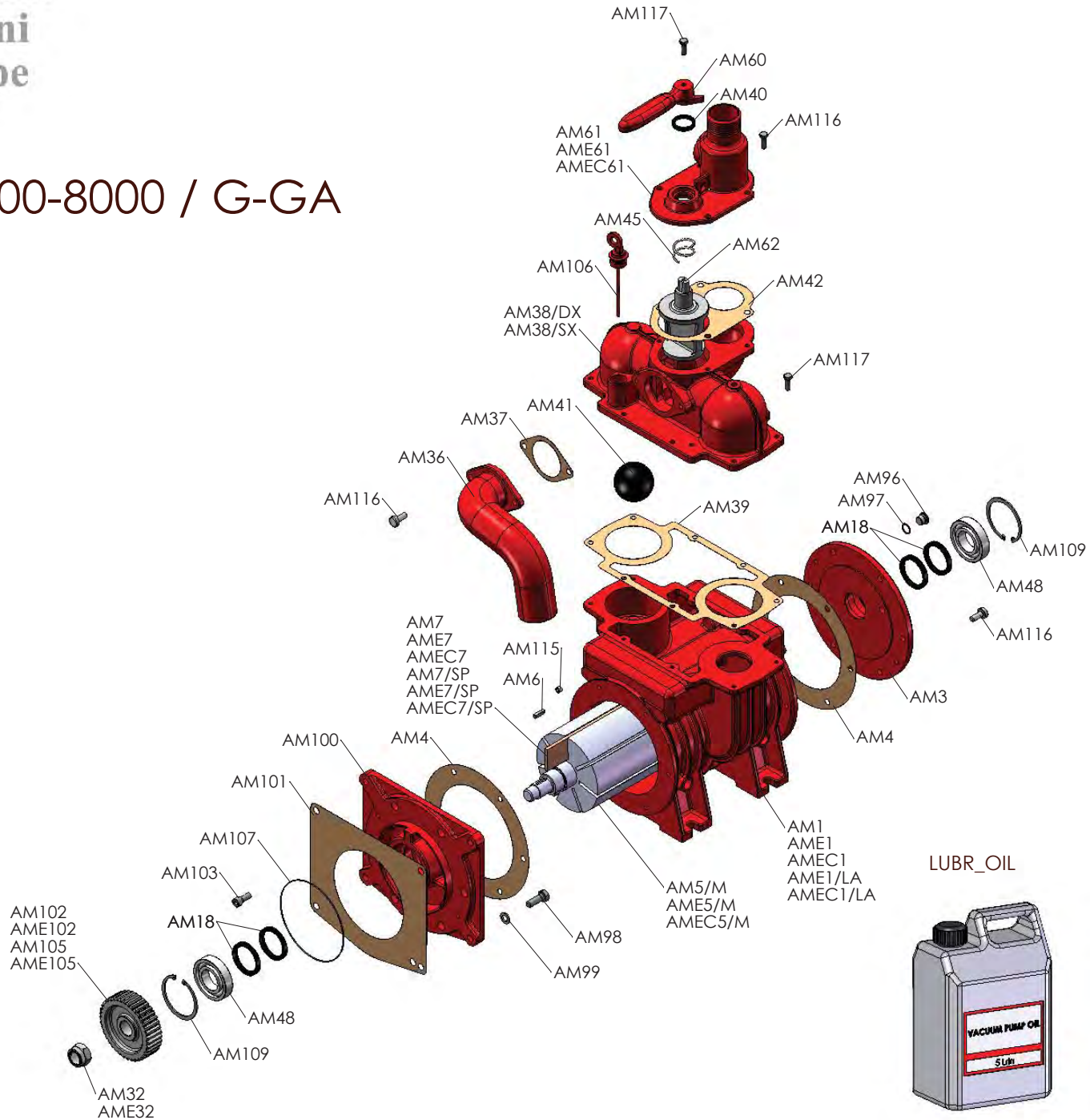




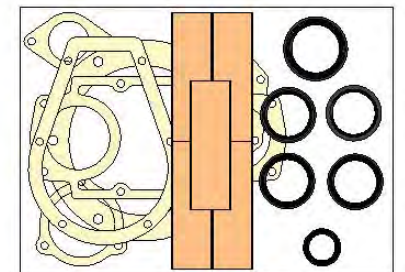
Battioni®
Pagani
Pompe

MEC 5000-6500-8000 / G-GA

Rel. 0 dated 01/03/2012



AM123
AME123
AMEC123
AM123/SP
AME123/SP
AMEC123/SP

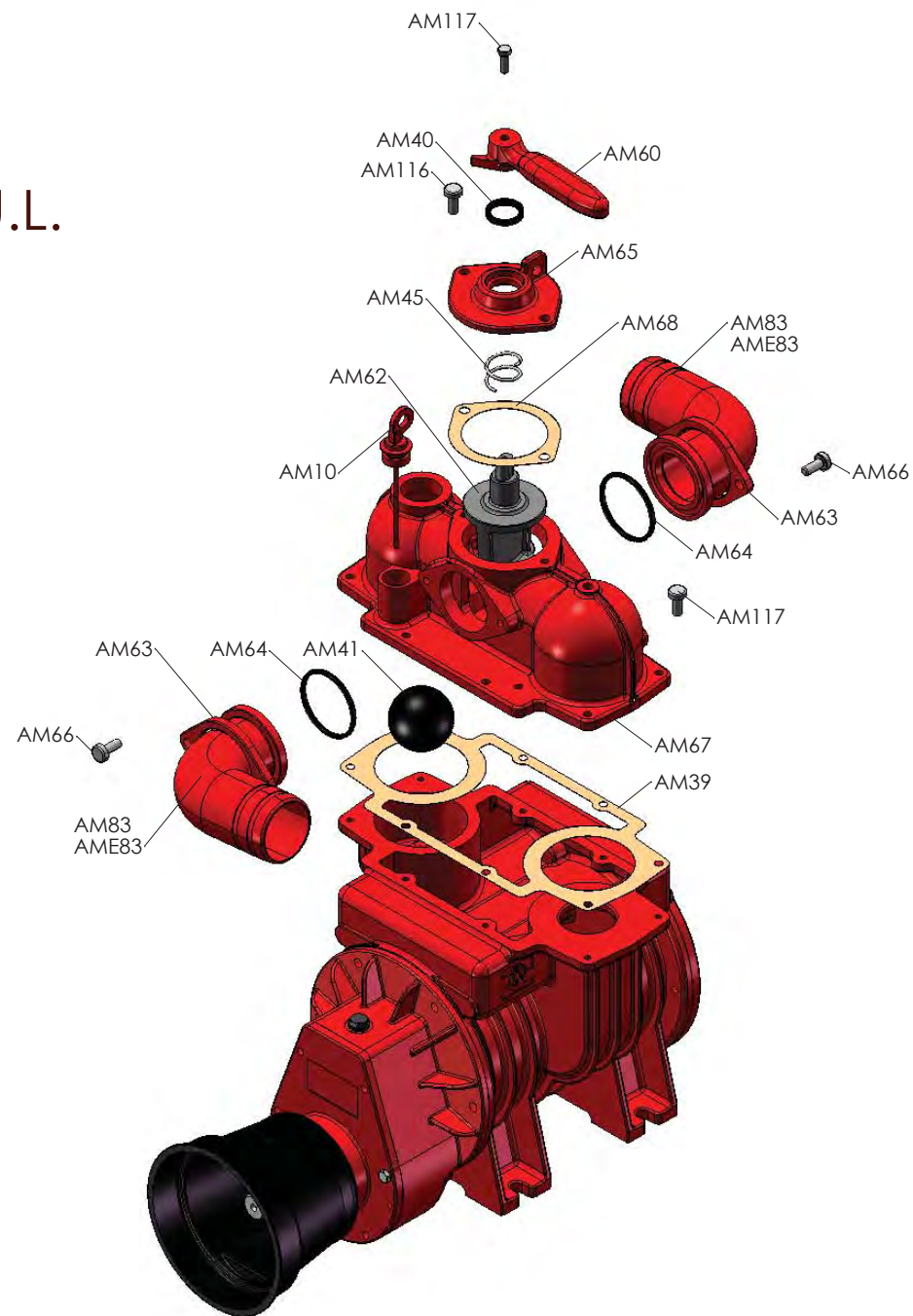




Battioni®
Pagani
Pompe

MEC 5000-6500-8000 / U.L.

Rel. 0 dated 01/03/2012

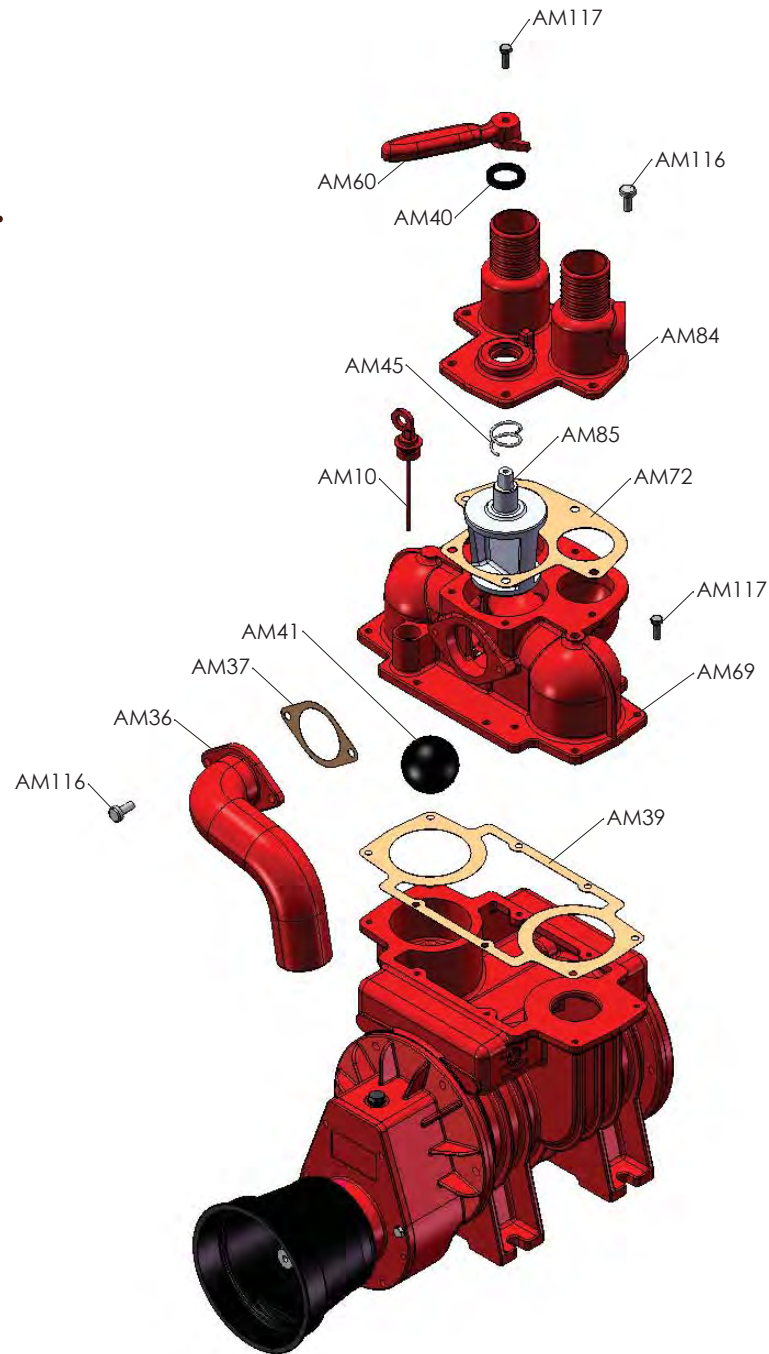




Battioni®
Pagani
Pompe

MEC 5000-6500-8000 / D.U.

Rel. 0 deted 01/03/2012

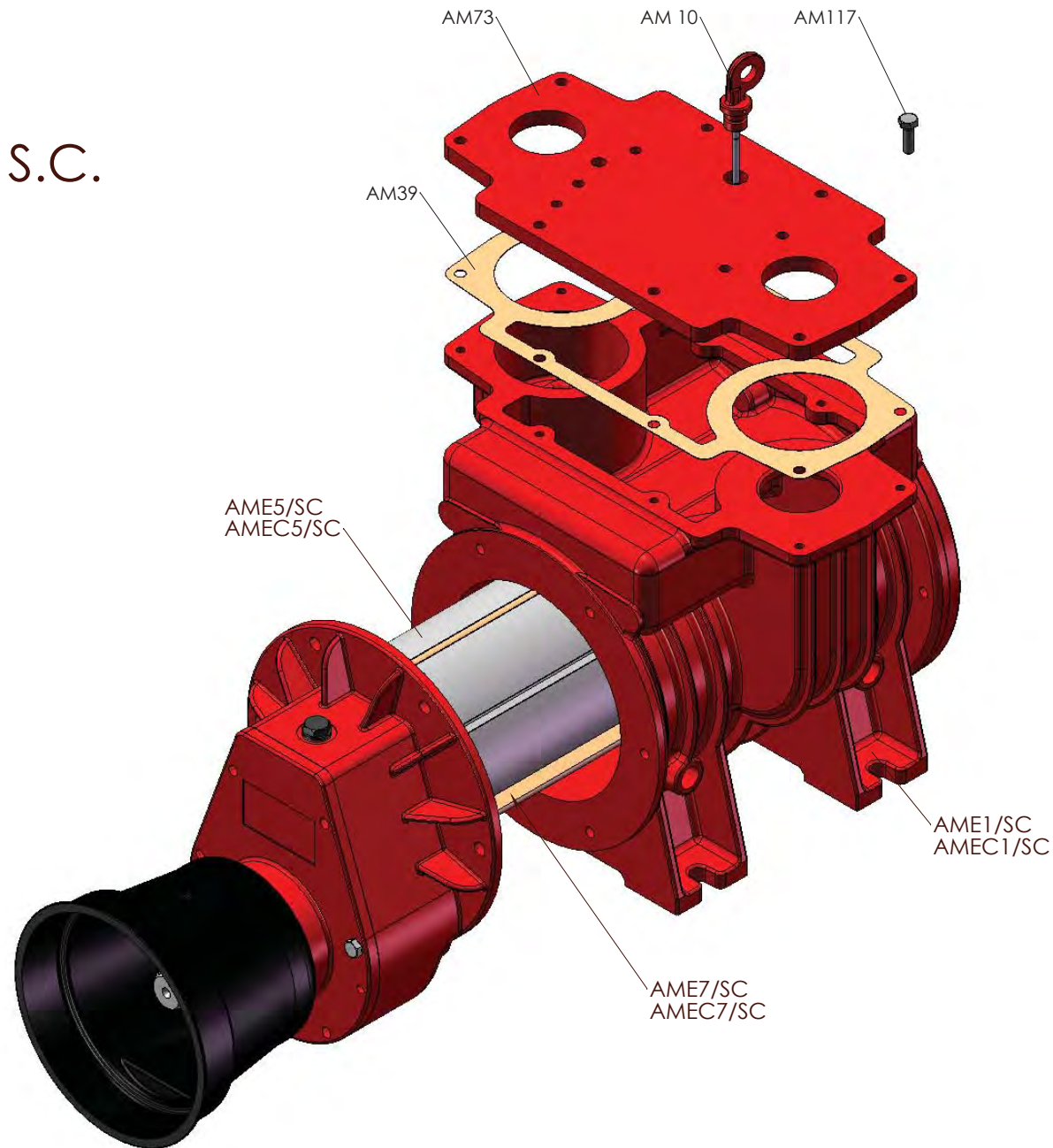




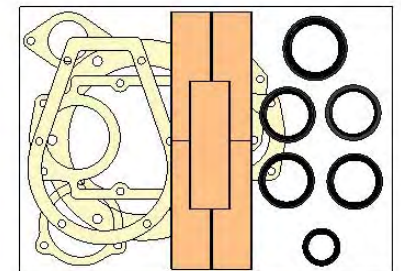
Battioni®
Pagani
Pompe

MEC 6500-8000 / S.C.

Rel. 0 dated 01/03/2012



REBUILD KIT AME123/SC
AMEC123/SC

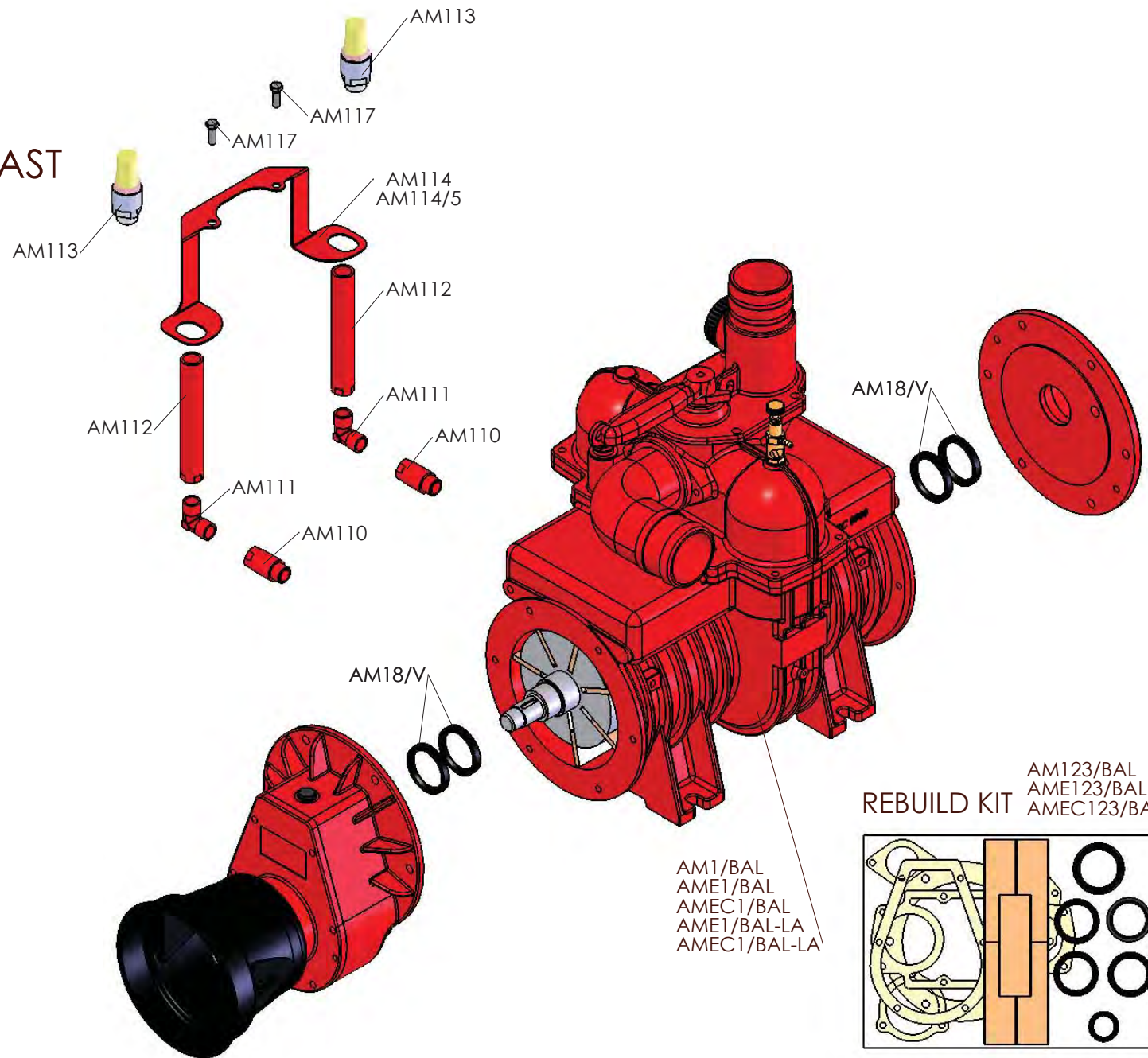




Battioni®
Pagani
Pompe

MEC 5000-6500-8000 / BALLAST

Rel. 0 dated 01/03/2012

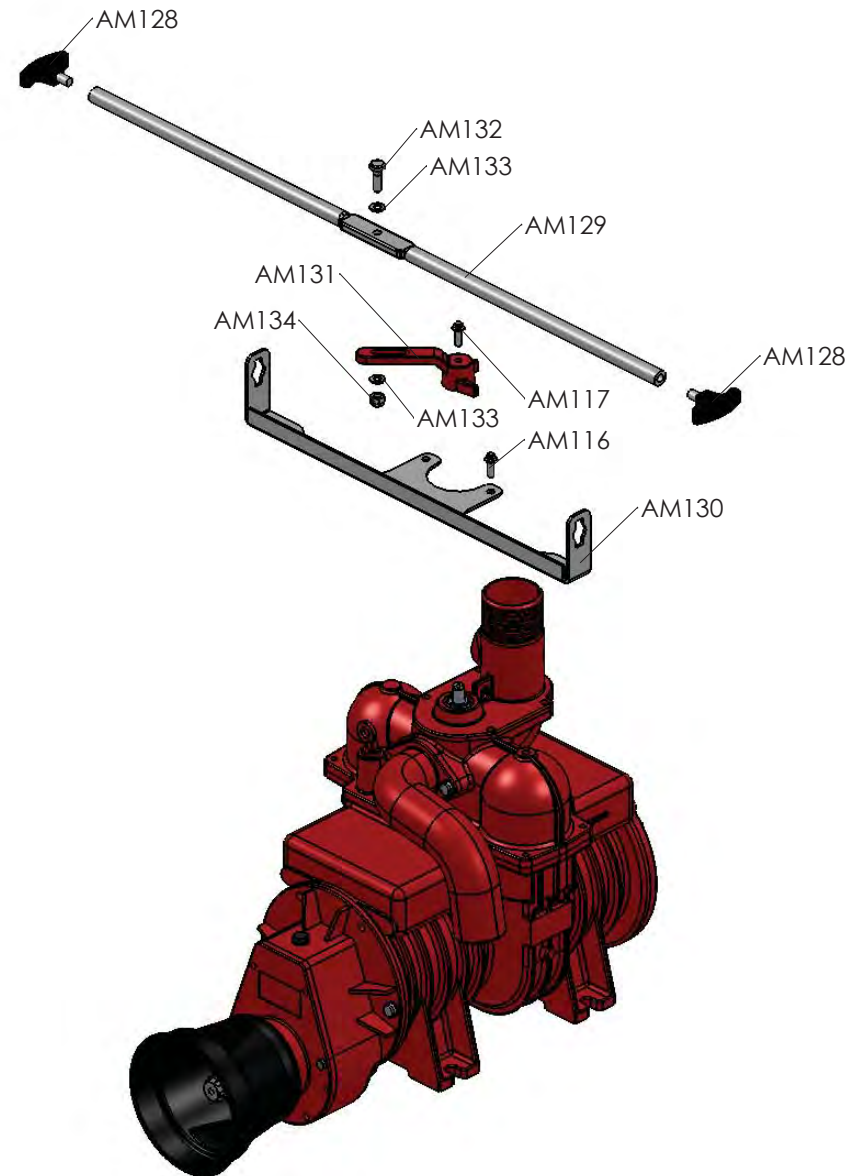




Battioni®
Pagani
Pompe

MEC 5000-6500-8000 CON LEVA UNI 707

Rel. 0 dated 01/03/2012

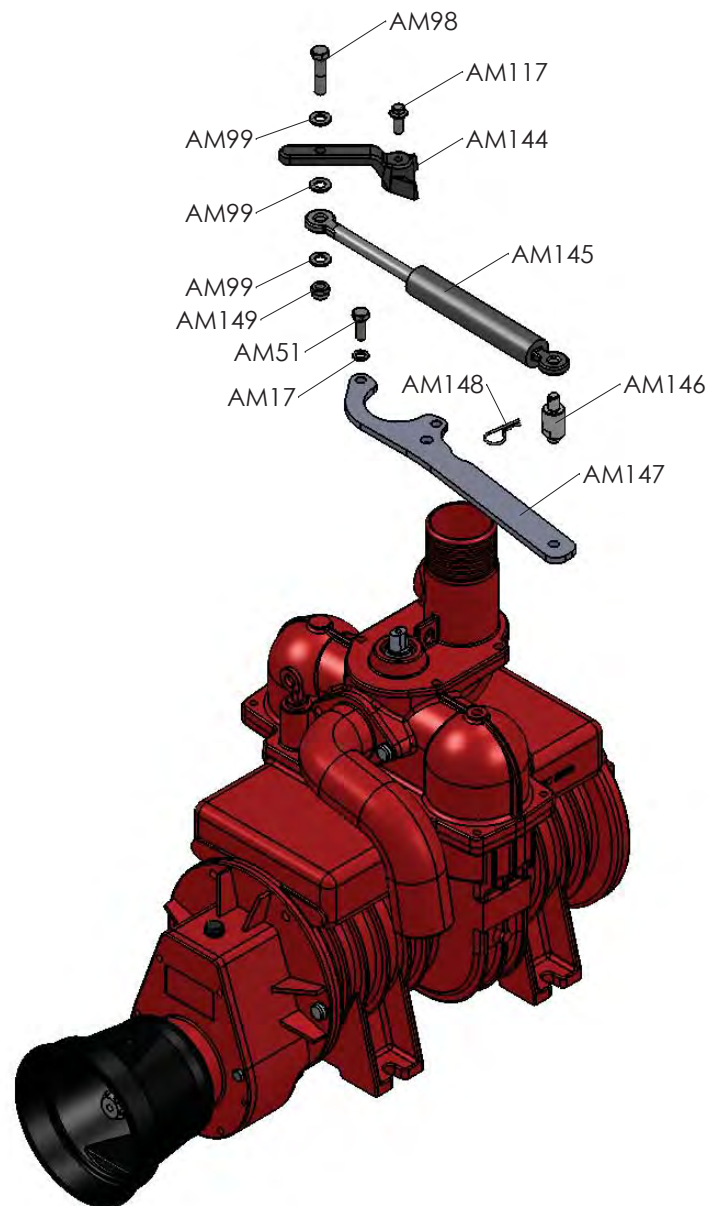




Battioni®
Pagani
Pompe

MEC 5000-6500-8000 HYDRAULIC HOUSING

Rel. 0 dated 01/03/2012

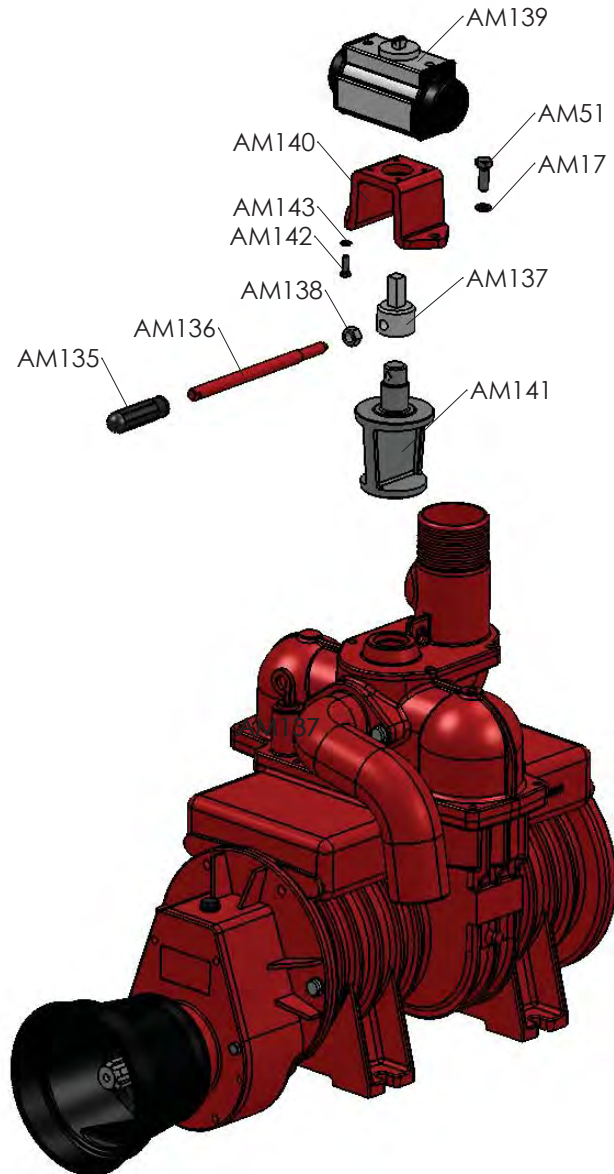




Battioni®
Pagani
Pompe

MEC 5000-6500-8000 PNEUMATIC REVOLVING HOUSING

Rel. 0 dated 01/03/2012





Ref.	Code	Descrizione	Description	Qty
AM1	4010101006	CORPO POMPA MEC 5000	HOUSING - MEC 5000	1
AMEC1	4010101007	CORPO POMPA MEC 6500 LF	HOUSING - MEC 6500 LF	1
AMEC1/LA	4010101097	CORPO POMPA MEC 6500 LA	HOUSING - MEC 6500 LA	1
AMEC1/SC	4010101098	CORPO POMPA MEC 6500 SC LF	HOUSING - MEC 6500 SC LF	1
AME1	4010101008	CORPO POMPA MEC 8000 LF	HOUSING - MEC 8000 LF	1
AME1/LA	4010101099	CORPO POMPA MEC 8000 LA	HOUSING - MEC 8000 LA	1
AME1/SC	4010101098	CORPO POMPA MEC 6500 SC LF	HOUSING - MEC 6500 SC LF	1
AM1/BAL	4010101083	CORPO POMPA MEC 5000 BALLAST	HOUSING - MEC 5000 BALLAST	1
AMEC1/BAL	4010101084	CORPO POMPA MEC 6500 BALLAST LF	HOUSING - MEC 6500 BALLAST LF	1
AMEC1/BAL-LA	4010101111	CORPO POMPA MEC 6500 BALLAST LA	HOUSING - MEC 6500 BALLAST LA	1
AME1/BAL	4010101082	CORPO POMPA MEC 8000 BALLAST LF	HOUSING - MEC 8000 BALLAST LF	1
AME1/BAL-LA	4010101112	CORPO POMPA MEC 8000 BALLAST LA	HOUSING - MEC 8000 BALLAST LA	1
AM2	4010301003	SCATOLA MOLT. MEC 5-6,5-8000/M	GEARBOX - MEC 5-6,5-8000/M	1
AM3	4010401003	FLANGIA ANT. POST. MEC 5000-6500-8000	FRONT AND BACK FLANGE - MEC 5000-6500-80	1
AM4	4030108007	GUARN. FLANGIA MEC 5-8000	FLANGE GASKET - MEC 5-8000	2
AM5/M	4010220014	ROTORE MEC 5000/M	ROTOR - MEC 5000/M	1
AMEC5/M	4010220015	ROTORE MEC 6500/M	ROTOR - MEC 6500/M	1
AME5/M	4010220016	ROTORE MEC 8000/M	ROTOR - MEC 8000/M	1
AM5/P	4010220017	ROTORE MEC 5000/P	ROTOR - MEC 5000/P	1
AMEC5/P	4010220018	ROTORE MEC 6500/P	ROTOR - MEC 6500/P	1
AME5/P	4010220019	ROTORE MEC 8000/P	ROTOR - MEC 8000/P	1
AM5/D	4010220071	ROTORE MEC 5000/D	ROTOR - MEC 5000/D	1
AMEC5/D	4010220072	ROTORE MEC 6500/D	ROTOR - MEC 6500/D	1
AME5/D	4010220073	ROTORE MEC 8000/D	ROTOR - MEC 8000/D	1
AM5/H	4010220081	ROTORE MEC 5000/H	ROTOR - MEC 5000/H	1
AMEC5/H	4010220082	ROTORE MEC 6500/H	ROTOR - MEC 6500/H	1
AME5/H	4010220083	ROTORE MEC 8000/H	ROTOR - MEC 8000/H	1
AMEC5/SC	4010220142	ROTORE MEC 6500/M SENZA COLLETTORE	ROTOR - MEC 6500/M SC	1
AME5/SC	4010220143	ROTORE MEC 8000/M SENZA COLLETTORE	ROTOR - MEC 8000/M SC	1
AM6	5050707002	CHIAVETTA 6X6X25	KEY - 6X6X25	1
AM7	4070113006	PALETTA STANDARD - MEC 5000 300X46.5X6.5	STANDARD BLADE - MEC 5000 300X46.5X6.5	7
AMEC7	4070113007	PALETTA STANDARD - MEC 6500 370X46.5X6.5	STANDARD BLADE - MEC 6500 370X46.5X6.5	7
AME7	4070113008	PALETTA STANDARD - MEC 8000 450X46.5X6.5	STANDARD BLADE - MEC 8000 450X46.5X6.5	7
AM7/SP	4070113123	PALETTA LONG LIFE - MEC 5000 300X46.5X6.5	LONG LIFE BLADE - MEC 5000 300X46.5X6.5	7
AMEC7/SP	4070113124	PALETTA LONG LIFE - MEC 6500 370X46.5X6.5	LONG LIFE BLADE - MEC 6500 370X46.5X6.5	7
AME7/SP	4070113125	PALETTA LONG LIFE - MEC 8000 450X46.5X6.5	LONG LIFE BLADE - MEC 8000 450X46.5X6.5	7
AMEC7/SC	4070113180	PALETTA STANDARD - MEC 6500 369X46.5X9.7	STANDARD BLADE - MEC 6500 369X46.5X9.7	5
AME7/SC	4070113181	PALETTA STANDARD - MEC 8000 449X46.5X9.7	STANDARD BLADE - MEC 8000 449X46.5X9.7	5
AM10	5060100002	ASTA LIVELLO OLIO 18X79 MM	OIL LEVEL ROD - 18X79 MM	1
AM12	5012107010	CUSCINETTO A SFERE 6307	BALL BEARING - 6307	1
AM17	5050207004	RONDELLA D 10	SMOOTH WASHER - D 10	1
AM18	5030300006	PARAOLIO 48X62X8	OIL SEAL - 48X62X8	4
AM18/V	5030300040	PARAOLIO 48X62X8 FKM	OIL SEAL - 48X62X8 FKM	4
AM20	5050207002	RONDELLA D 6	SMOOTH WASHER - D 6	3
AM21	5060605001	TAPPO CARICO OLIO D 3/8" GAS	OIL PLUG - D 3/8" GAS	1
AM23	5050107018	VITE M 10X16 TE	SCREW - M 10X16 TE	1
AM24	5050202002	RONDELLA D 10X16X1,5 ALLUMINIO	ALUMINIUM WASHER - D 10X16X1,5	1
AM25	5012107006	CUSCINETTO A SFERE 6304	BALL BEARING - 6304	1
AM26	4020507002	INGR. CON ALBERO MEC 2-5000 Z55-M2,5	GEAR WITH SHAFT - Z55-M2,5 MEC 2-5000	1
AME26	4020507003	INGR. CON ALBERO MEC 6,5-8000 Z53-M2,5	GEAR WITH SHAFT - Z53-M2,5 MEC 6,5-8000	1
AM27	5030300005	PARAOLIO 35X62X10	OIL SEAL - 35X62X10	1
AM28	4030108006	GUARN. COPERCHIO SCAT. MOLT. MEC 2-8000	GEARBOX COVER GASKET - MEC 2-8000	1
AM30	5060105004	TAPPO LIVELLO OLIO D 3/8" GAS	OIL LEVEL PLUG - D 3/8" GAS	1
AM32	5050300001	DADO AUTOBLOCCANTE M 24X2X15	SELF-LOCKING NUT - M 24X2	1
AME32	5050300002	DADO AUTOBLOCCANTE M 27X2X16	SELF-LOCKING NUT - M 27X2X16	1
AM33	4020607002	PIGNONE MEC 2-5000 Z21-M2,5	PINION - Z21-M2,5 MEC 2-5000	1
AME33	4020607003	PIGNONE MEC 6,5-8000 Z23-M2,5	PINION - Z23-M2,5 MEC 6,5-8000	1



AM36	4010901003	CURVA DI SCARICO MEC 5-8000	EXHAUST ELBOW - MEC 5-8000	1
AM37	4030110003	GUARN. LATERALE COLL. MEC 5-8000	MANIFOLD SIDE GASKET - MEC 5-8000	1
AM38/DX	4010501004	COLLETTORE MEC 5-6,5-8000	MANIFOLD - MEC 5-8000	1
AM38/SX	4010501025	COLLETTORE MEC 5-6,5-8000 SINISTRO	MANIFOLD - MEC 1000-1600 CCW	1
AM39	4030109005	GUARN. COLLETTORE MEC 5-8000	MANIFOLD GASKET - MEC 5-8000	1
AM40	5030300007	PARAOLIO 30X40X7 TC	OIL SEAL - 30X40X7	1
AM41	5060410006	SFERA IN GOMMA PESANTE D 70	RUBBER BALL - D 70	1
AM42	4030109006	GUARN. COPERCHIO COLL. MEC 5-8000	MANIFOLD COVER GASKET - MEC 5-8000	1
AM45	4012007002	MOLLA MEC 5-8000	SPRING - MEC 5-8000	1
AM48	5012107004	CUSCINETTO A SFERE 6208	BALL BEARING - 6208	2
AM49	5050812001	INGRASSATORE M 10X1	LUBRICATOR - M 10X1	1
AM50	5050207008	RONDELLA TRANCIATA D 10X40	BLANK WASHER - D 10X40	1
AM51	5050107021	VITE M 10X30 TE	SCREW M 10X30 TE	1
AM52	5050707007	CHIAVETTA 8X7X50	KEY - 8X7X50	1
AM53	5030300002	PARAOLIO 35X52X10	OIL SEAL - 35X52X10	1
AM56	5050107014	VITE M 8X50 TE	SCREW - M 8X50 TE	3
AM60	4010801007	MANIGLIA MEC 2-8000	HANDLE - MEC 2-8000	1
AM61	4010601075	COPERCHIO COLLETTORE D 60 MEC 5-6500	MANIFOLD COVER - D 60 MEC 5-6500	1
AME61	4010601076	COPERCHIO COLLETTORE D 80 MEC 8000	MANIFOLD COVER - D 80 MEC 8000	1
AMEC61	4010601016	COPERCHIO COLLETTORE D 76 MEC 5-6,5-8000	MANIFOLD COVER - MEC 5-6,5-8000 D76	1
AM62	4010701012	CONO INVERTITORE MEC 5-8000	REVERSING GEAR - MEC 5-8000	1
AM63	4010406004	FLANGIA PREMICURVA - MEC 5/6,5/8000	SUPPORT FLANGE - D 76 - MEC 5/6,5/8000	2
AM64	5030210019	ANELLO TENUTA OR 179 MEC 5000 UL	SEAL RING - OR 179	2
AM65	4010601078	COPERCHIO COLLETTORE MEC 5-6,5-8000 UL	MANIFOLD COVER - MEC 5-6,5-8000 UL	1
AM66	5050107022	VITE M 10X40 TE	SCREW - M 10X40 TE	4
AM67	4010501012	COLLETTORE MEC 5-6,5-8000 UL	MANIFOLD - MEC 5-8000 UL	1
AM68	4030109027	GUARN. COPERCHIO COLL. MEC 5-8000 UL	MANIFOLD COVER GASKET - MEC 5-8000 UL	1
AM69	4010501005	COLLETTORE MEC 5-6,5-8000 DU	MANIFOLD - MEC 5-8000 DU	1
AM72	4030109009	GUARN. COPERCHIO COLL. MEC 5-8000 DU	MANIFOLD COVER GASKET - MEC 5-8000 DU	1
AM73	4010606004	COPERCHIO SERBATOIO OLIO MEC 5-8000 SC	OIL TANK COVER - MEC 5-8000 SC	1
AM75	5050107125	VITE M 10X110 TCEI	SCREW - M 10X110 TCEI	1
AM76	5030300032	PARAOLIO 45X60X10	OIL SEAL - 45X60X10	1
AM80	5030300013	PARAOLIO 55X68X8	OIL SEAL - 55X68X8	1
AM81/3	4011001045	SUPPORTO MOTORE IDR. MEC 2-8000/H GR. 3	HYDR. MOT. SUPPORT - MEC 2-8000/H GR. 3	1
AM81/3,5	4011001016	SUPPORTO MOTORE IDR.MEC 2-11000/H GR.3,5	HYDR. MOT. SUPPORT - MEC 2-8000/H GR.3,5	1
AM82	4020107006	MANICOTTO TRASM. MOT. IDR. MEC 2-5000	HYDR. MOTOR TRANSM. COUPLING MEC 2-5000	1
AME82	4020107007	MANICOTTO TRASM. MOT. IDR. MEC 6,5-8000	HYDR. MOTOR TRANSM.COUPLING MEC6,5-8000	1
AM83	4010901013	CURVA DI SCARICO ORIENT. MEC 5-8000 D 76	REVOLVING ELBOW - MEC 5-8000 D 76	2
AME83	4010906004	CURVA DI SCARICO ORIENT. MEC 5-8000 D 80	REVOLVING ELBOW - MEC 5-8000 D 80	2
AM84	4010601090	COPERCHIO COLLETTORE MEC 5-6,5-8000 DU	MANIFOLD COVER - MEC 5-6,5-8000 DU	1
AM85	4010701013	CONO INVERTITORE MEC 5-8000 DU	REVERSING GEAR - MEC 5-8000 DU	1
AM86	5050707015	CHIAVETTA 8X7X40	KEY - 8X7X40	1
AME87	5020107002	PRESA CALETTATA FORO D 32 - ϕ 1"3/8	SPLINED HUB HOLE D 32 - MEC 6500/8000	1
AM94	4010601115	COPERCHIO SCATOLA MOLT. MEC 2-8000 CE	GEARBOX COVER - MEC 2-8000 CE	1
AM95	4060505000	PROTEZIONE ALBERO CE	SHAFT GUARD - CE	1
AM96	5050906006	TAPPO D 16x1.5 - DIN 908 -	PLUG - D 16X1	2
AM97	5050202007	RONDELLA D 16X20X1,5 ALLUMINIO	ALUMINIUM WASHER - D 16X20X1,5	2
AM98	5050107028	VITE M 12X35 TE	SCREW - M 12X35 TE	4
AM99	5050207005	RONDELLA D 12	SMOOTH WASHER - D 12	4
AM100	4010401007	FLANGIA DI SUPP. DECOM. GARDA/5-6.5-8000	PUMP SUPPORT FLANGE - MEC/G 5000	1
AM101	4030108029	GUARN. FLANGIA SUPP. DECOMPR. MEC /G	PUMP SUPPORT GASKET - MEC/G	1
AM102	4020607004	PIGNONE DEC. GARDA MEC 2-5000 Z39-M3	GARDA PINION - Z39-M3 MEC 2-5000	1
AME102	4020607005	PIGNONE DEC. GARDA MEC 6,5-8000 Z39-M3	GARDA PINION - Z39-M3 MEC 6,5-8000	1
AM103	5050107026	VITE M 10X25 TCEI	SCREW - M 10X25 TCEI	6
AM105	4020607016	PIGNONE DEC. GARDA MEC 2-5000 GA Z50-M3	GARDA PINION - Z50-M3 MEC 2-5000 GA	1
AME105	4020607017	PIGNONE DEC. GARDA MEC 8000 GA Z50-M3	GARDA PINION - Z50-M3 MEC 6,5-8000 GA	1
AM106	5060605009	ASTA LIVELLO OLIO 30X130 MM	OIL LEVEL ROD - 30X130 MM	1
AM107	5030210060	ANELLO DI TEN. SUPP. DEC. OR171.12x2.62	SEAL RING - OR171.12x2.62 .../G	1



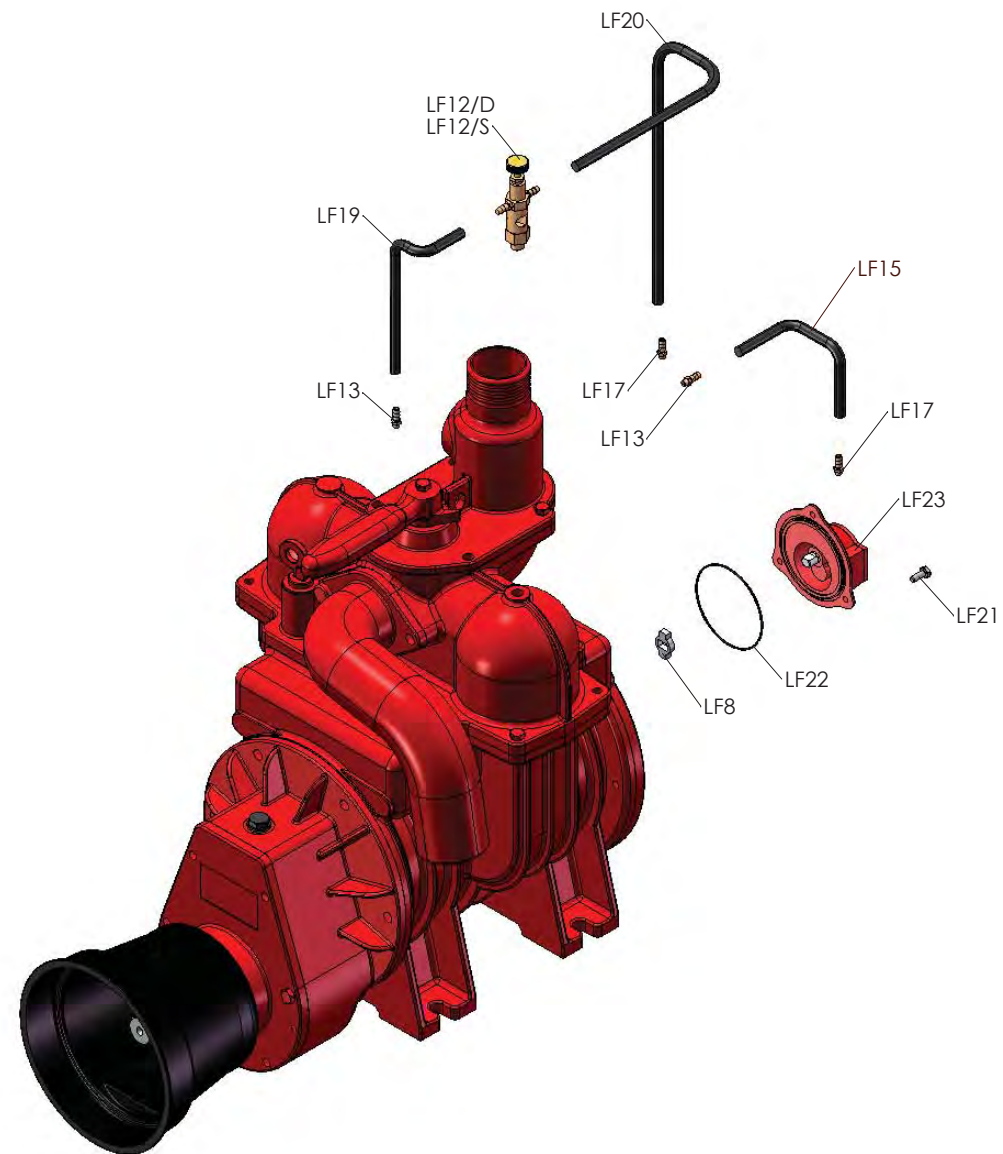
AM108	5050107084	VITE M 6x16 TEF - FL/ZIGR 8.8 -	SCREW - M 6X16 TEF	4
AM109	5050507011	ANELLO SEEGER D 80 I	CIRCLIP - D 80 I	2
AM110	4010007022	TUBO COLLEGAMENTO BALLAST SYSTEM	HOSE - BALLAST SYSTEM	2
AM111	5040407005	RACCORDO CURVO M/M 1/2" GAS	CURVED CONNECTOR - M/M 1/2" GAS	2
AM112	4010007021	TUBO PER FILTRI BALLAST SYSTEM	HOSE FOR FILTER - BALLAST SYSTEM	2
AM113	6100200029	VALVOLA UNIDIREZIONALE D 1/2" BALLAST	UNIDIRECTIONAL VALVE - BALLAST D 1/2"	2
AM114	4010007023	SOSTEGNO TUBI BALLAST MEC 6500/8000	HOSES SUPPORT - MEC 6500/8000 BALLAST	1
AM114-5	4010007024	SOSTEGNO TUBI BALLAST MEC 5000	HOSES SUPPORT - MEC 5000 BALLAST	1
AM115	5050903001	TAPPO M 10x1 - DIN 906	PLUG - M 10X 1	2
AM116	5050107109	VITE M 10X25 TEF - FL/ZIGR 8.8 -	SCREW - M 10X25 TEF - FL/ZIGR 8.8	20
AM117	5050107108	VITE M 8X25 TEF - FL/ZIGR 8.8 -	SCREW - M 8X25 TEF - FL/ZIGR 8.8	20
AM119	4010601153	COPERCHIO ANTERIORE MEC 5-13500 /P-AL	FRONT COVER - MEC 5-13500/P AL	1
AM120	4010601101	COPERCHIO ANTERIORE CE MEC 2-13500/D	FRONT COVER - CE MEC 2-4000/D	1
AM121	5050107122	VITE M 6X25 TE -10.9 -	SCREW - M 6X25 TE -10.9 -	3
AM122	4020507013	INGR. CON ALBERO MEC6,5-8000/HM Z53-M2,5	GEAR WITH SHAFT MEC6,5-8000/HM Z53-M2,5	1
AM124	4030108046	GUARN. SUPP. MOTORE IDR. GRUPPO 3.5 -MEC	HYDR. MOT. SUPP. GASKET - GR. 3.5 - MEC	1
AM125	5030210028	ANELLO TENUTA OR 2337 POMPA LF	SEAL RING - OR 86824 LF PUMP	1
AM126	4010601160	COPERCHIO SCATOLA MOLT. HM MEC 2-8000	GEARBOX COVER - MEC 2-8000 HM	1
AM127	4011707041	ANELLO DI RIDUZ. PER MOT. IDR. G.3 MEC	CETERING RING FOR HYDR. MOTOR - MEC GR3	1
AM128	5060010020	POMOLO LEVA SPECIALE UNI 707 M14X25	HANDLE KNOB - D 14X25 EN 707	2
AM129	4011912012	PERNO MANIGLIA UNI 707 MEC 2/8000-STAR	HANDLE PIN - MEC 2-8000 STAR - EN 707	1
AM130	4010007034	SOSTEGNO MANIGLIA UNI 707 MEC 5-6,5-8000	SUPPORT FOR HANDLE UNI 707 MEC 5-8000	1
AM131	4010801025	MANIGLIA UNI 707 MEC 2000-8000	HANDLE - MEC 2-8000 EN707	1
AM132	5050107022	VITE M 10X40 TE	SCREW M 10X40 TE	1
AM133	5050207004	RONDELLA D 10	WASHER D 10	2
AM134	5050300009	DADO AUTOBLOCCANTE M 10	SELF-LOCKING NUT - M 10	1
AM135	5060010001	POMOLO MANIGLIA WPT-SE-STAR	HANDLE KNOB - D 3/8" GAS	1
AM136	4011912001	PERNO MANIGLIA STAR-WPT	HANDLE PIN - STAR-WPT	1
AM137	4011907050	PERNO COLL. ATT. MEC5-8000(SE 6500-8000)	CONNECTION PIN - SE 6500-8000	1
AM138	5050307004	DADO M 12	NUT - M 12	1
AM139	5090000050	CILINDRO ROTATIVO PNEUMATICO DA 60 PLUS	PNEUM. REV. CYLINDER - DA 60- PUMPS - P	1
AM140	4011001047	SUPPORTO ATTUATORE PNEUM. MEC 5000 PLUS	PNEUM. REV. CYLINDER SUPP. (PLUS) - MEC5	1
AM141	4010701004	CONO INVERTITORE MEC 5-8000 -SE 6,5-8000	REVERSING GEAR - MEC 5-8000 - SE 8000	1
AM142	5050107006	VITE M 6X20 TE	SCREW M 6X20 TE	4
AM143	5050207002	RONDELLA D 6	WASHER D 6	4
AM144	4010801031	MANIGLIA IDRAULICA MEC 2000-8000	HANDLE - MEC 2000-8000 HYDRAULIC	1
AM145	5090000005	PISTONE PER MANIGLIA IDR. - MEC 5-8000	PISTON - HYDR. HANDLE - MEC 5-8000	1
AM146	4011907087	SPINOTTO LATERALE MEC 5-8000 CIL.IDRAUL.	SIDE PIN FOR HYDR.HANDLE MEC 5-8000	1
AM147	4011001069	SUPPORTO CILINDRO IDR.(PISTONE)MEC5-8000	HYDR. HANDLE SUPPORT MEC 5-8000	1
AM148	5050507021	COPPIGLIA A MOLLA 2.5X58	COTTER PIN 2.5X58	1
AM149	5050300013	DADO AUTOBLOCCANTE M 12 BASSO - DIN 985	SELF-LOCKING NUT M 12	1
AM123	6010201006	KIT REVISIONE POMPA MEC 5000 STANDARD	REBUILD KIT - MEC 5000 STANDARD	1
AME123	6010201007	KIT REVISIONE POMPA MEC 6500 STANDARD	REBUILD KIT - MEC 6500 STANDARD	1
AMEC123	6010201008	KIT REVISIONE POMPA MEC 8000 STANDARD	REBUILD KIT - MEC 8000 STANDARD	1
AM123/SP	6010201019	KIT REVISIONE POMPA MEC 5000 LONG LIFE	REBUILD KIT - MEC 5000 LONG LIFE	1
AME123/SP	6010201020	KIT REVISIONE POMPA MEC 6500 LONG LIFE	REBUILD KIT - MEC 6500 LONG LIFE	1
AMEC123/SP	6010201021	KIT REVISIONE POMPA MEC 8000 LONG LIFE	REBUILD KIT - MEC 8000 LONG LIFE	1
AME123/SC	6010201067	KIT REVISIONE POMPA MEC 6500 M S.C.	REBUILD KIT - MEC 6500 M SC	1
AMEC123/SC	6010201068	KIT REVISIONE POMPA MEC 8000 M S.C.	REBUILD KIT - MEC 8000 M SC	1
AM123/BAL	6010201072	KIT REVISIONE POMPA MEC 5000 BALLAST	REBUILD KIT - MEC 5000 BALLAST	1
AME123/BAL	6010201073	KIT REVISIONE POMPA MEC 6500 BALLAST	REBUILD KIT - MEC 6500 BALLAST	1
AMEC123/BAL	6010201057	KIT REVISIONE POMPA MEC 8000 BALLAST	REBUILD KIT - MEC 8000 BALLAST	1
LUBR_OIL	5070200100	OLIO BATTIONI PAGANI POMPE (5LT)	BATTIONI PAGANI VACUUM PUMP OIL (5LT)	1



Battioni®
Pagani
Pompe

Forced lubrication MEC 6500-8000

Rel. 0 dated 01/03/2012

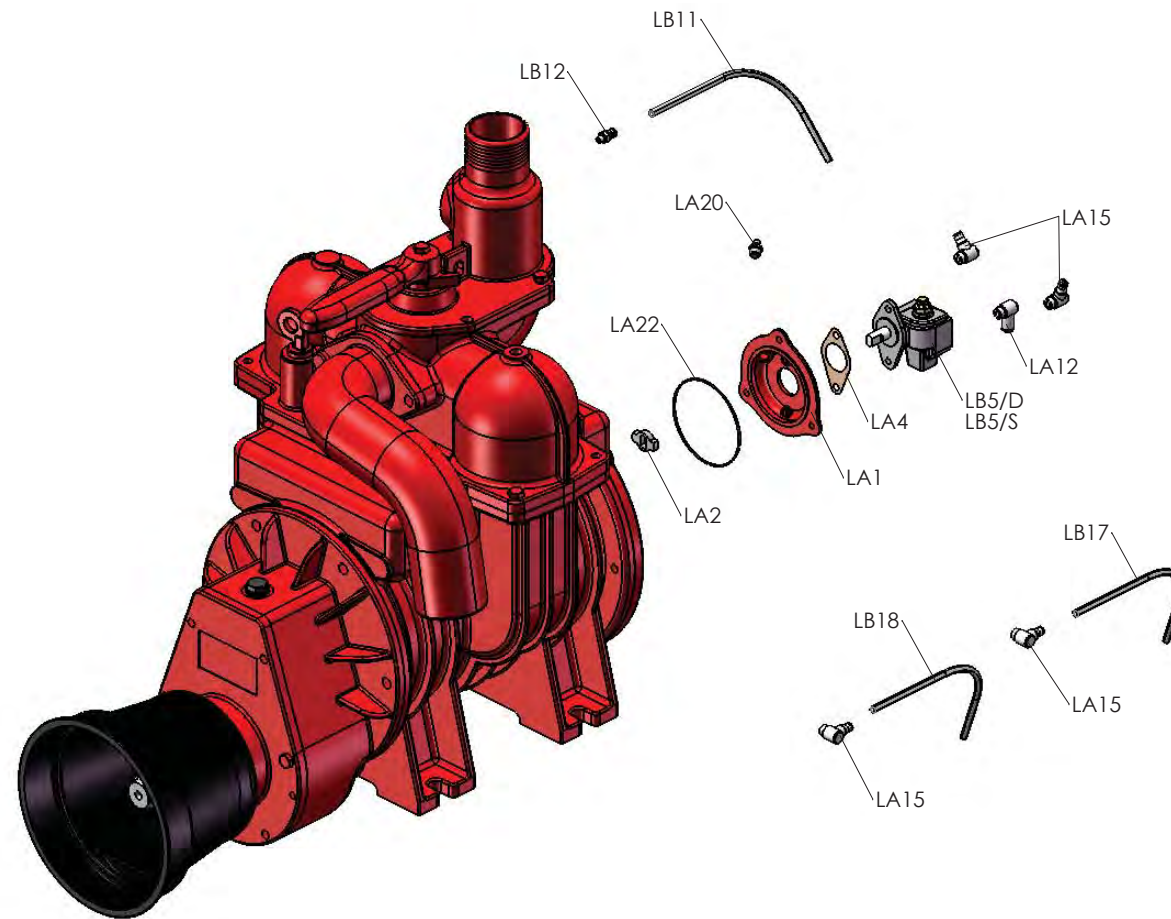




Battioni®
Pagani
Pompe

Automatic lubrication MEC 6500-8000

Rel. 0 dated 01/03/2012





Ref.	Code	Descrizione	Description	Qty
LA1	4010601022	COPERCHIO POSTERIORE POMPA OLIO MEC LA	OIL PUMP SUPPORT BACK COVER - MEC LA.	1
LA4	4030108011	GUARN. POMPA OLIO LA.	OIL PUMP GASKET - LA.	1
LA5/D	5080200033	POMPA LA 1 MAND. AL DX IIS	OIL PUMP - LA 1 WAYS AL DX IIS	1
LA5/S	5080200034	POMPA LA 1 MAND. AL SX IIS	OIL PUMP - LA 1 WAYS AL SX IIS	1
LA7	5050107005	VITE M 6X16 TE	SCREW - M 6X16 TE	5
LA11	5080105002	TUBO LUBRIFICAZIONE D 4X6 - RILSAN	SUCTION HOSE - D 4X6	0,24
LA12	5040303007	RACCORDO D 1/8"X6X90° RILSAN	CONNECTOR - D 1/8"X6X90° RILSAN	2
LC12	5040303027	RACCORDO DRITTO D 1/8"X6 RILSAN - F.CON.	STRAIGHT CONNECTOR - D 1/8"X6 RILSAN	1
LA13	5080105001	TUBO LUBRIFICAZIONE D 2X4 - RILSAN	LUBRICATION HOSE - D 2X4	0,47
LA14	5040407001	RIDUZIONE D 1/4"X1/8" GAS	REDUCTION - D 1/4"X1/8" GAS	1
LA15	5040303008	RACCORDO D 1/8"X4X90° RILSAN	CONNECTOR - D 1/8"X4X90° RILSAN	4
LA2	4010006002	GIUNTO DI COLLEGAMENTO L.F.	CONNECTOR JOINT - L.F.	1
LA20	5050812001	INGRASSATORE M 10X1	LUBRICATOR - M 10X1	1
LA22	4030108005	GUARN. COPERCHIO POSTERIORE MEC 2-8000	BACK COVER GASKET - MEC 2-8000	1
LA23	5050207002	RONDELLA D 6	SMOOTH WASHER - D 6	5
LA24	5030210028	ANELLO TENUTA OR 2337 POMPA LF	SEAL RING - OR 86824 LF PUMP	1
LA25	5080004004	FASCETTA STRINGITUBO D 6 LA	HOSE CLAMP - D 6 LA	1
LA26	5050903001	TAPPO M 10x1 - DIN 906	PLUG M 10x1	1
LA27	5050906001	TAPPO D 1/4" GAS	PLUG - D 1/4" GAS	1
LA28	5050202003	RONDELLA D 1/4" GAS ALLUMINIO	ALUMINIUM WASHER - D 1/4" GAS	1
LA29	5080105003	TUBO LUBRIFICAZIONE D4X6 TEFLON-MEC9000	SUCTION HOSE - D 4X6 TEFLON - MEC9000	0,50
LA30	5080105003	TUBO LUBRIFICAZIONE D4X6 TEFLON-MEC11000	SUCTION HOSE - D 4X6 TEFLON - MEC11000	0,55
LA31	5080105003	TUBO LUBRIFICAZIONE D4X6 TEFLON-MEC13500	SUCTION HOSE - D 4X6 TEFLON - MEC13500	0,60
LA32	5050107108	VITE M 8X25 TEF - FL/ZIGR 8.8 -	SCREW - M 8X25 TEF - FL/ZIGR 8.8	2
LA33	5060105003	LIVELLO OLIO COMPLETO SLV 127	COMPLETE OIL LEVEL - SLV 127	1
LA34	4011001074	SUPPORTO SERBATOIO LATER. MEC 9-11-13500	SIDE TANK SUPPORT - MEC 9-13500	1
LA35	4060310001	PASSATUBO CHIUSO	CLOSED TUBE-PASS	1
LA36	5060605007	TAPPO CARICO OLIO D 1"1/4 GAS	OIL PLUG - D 1"1/4 GAS	1
LA37/DX	4011406010	SERBATOIO OLIO LATERALE STAR DX	SIDE OIL TANK - STAR RIGHT	1
LA37/SX	4011406009	SERBATOIO OLIO LATERALE STAR SX	SIDE OIL TANK - STAR LEFT	1
LB11	5080105002	TUBO LUBRIFICAZIONE D 4X6 - RILSAN	SUCTION HOSE - D 4X6	0,26
LB12	5040303011	RACCORDO DRITTO D 1/8"X6 RILSAN	STRAIGHT CONNECTOR - D 1/8"X6 RILSAN	1
LB16	5080105001	TUBO LUBRIFICAZIONE D 2X4 - RILSAN	LUBRICATION HOSE - D 2X4	0,69
LB17	5080105001	TUBO LUBRIFICAZIONE D 2X4 - RILSAN	LUBRICATION HOSE - D 2X4	0,29
LB18	5080004002	FASCETTA STRINGITUBO D 4 LA	HOSE CLAMP - D 4	1
LB5/D	5080200036	POMPA LA 2 MAND. AL DX IIS	OIL PUMP - LA 2 WAYS AL DX IIS	1
LB5/S	5080200038	POMPA LA 2 MAND. AL SX IIS	OIL PUMP - LA 2 WAYS AL SX IIS	1
LC1	4010606017	COPERCHIO POSTERIORE MEC 1000-1600 LA	BACK COVER - MEC 1000-1600 LA	1
LC13	5080105001	TUBO LUBRIFICAZIONE D 2X4 - RILSAN	LUBRICATION HOSE - D 2X4	0,42
LC22	4030108002	GUARN. COPERCHIO POSTERIORE MEC 1-1600	BACK COVER GASKET - MEC 1-1600	1
LF8	4010006002	GIUNTO DI COLLEGAMENTO L.F.	CONNECTOR JOINT - L.F.	1
LF12/D	5040200003	RUBINETTO REGOLATORE OLIO 2 VIE X 180°	DRAIN COCK - 2 WAYS X 180°	1
LF12/S	5040200007	RUBINETTO REGOLATORE OLIO 2 VIE X 60°	DRAIN COCK - 2 WAYS X 60°	1
LF13	5040303004	RACCORDO PORTATUBO M 10X1 LF	CONNECTOR - M 10X1 LF	2
LF14	5080110002	TUBO IN GOMMA D 5X10.5	RUBBER HOSE - D 5X10.5	0,17
LF15	5080110002	TUBO IN GOMMA D 5X10.5	RUBBER HOSE - D 5X10.5	0,17
LF16	5080110002	TUBO IN GOMMA D 5X10.5	RUBBER HOSE - D 5X10.5	0,4
LF17	5040303013	RACCORDO PORTATUBO M 6X1 LF	CONNECTOR - M 6X1 LF	2
LF19	5080110002	TUBO IN GOMMA D 5X10.5	RUBBER HOSE - D 5X10.5	0,21
LF20	5080110002	TUBO IN GOMMA D 5X10.5	RUBBER HOSE - D 5X10.5	0,47
LF21	5050107005	VITE M 6X16 TE	SCREW - M 6X16 TE	3
LF22	5030210028	ANELLO TENUTA OR 2337 POMPA LF	SEAL RING - OR 86824 LF PUMP	1
LF23	6080200001	POMPA LF MEC 2-8000	PUMP - LF MEC 2-8000	1
LF24	5080004003	FASCETTA STRINGITUBO D 10 LF	HOSE CLAMP - D 10 LF -AGRI-	1
LF25	5080110002	TUBO DI ASPIRAZIONE D5X10,5 - MEC9000	RUBBER HOSE D5X10,5 - MEC9000	0,50
LF26	5080110002	TUBO DI ASPIRAZIONE D5X10,5 - MEC11000	RUBBER HOSE D5X10,5 - MEC11000	0,55
LF27	5080110002	TUBO DI ASPIRAZIONE D5X10,5 - MEC13500	RUBBER HOSE D5X10,5 - MEC13500	0,60
LF29	5060605007	TAPPO CARICO OLIO D 1"1/4 GAS	OIL PLUG - D 1"1/4 GAS	1



LF30	4060310001	PASSATUBO CHIUSO	CLOSED TUBE-PASS	1
LF31/DX	4011406010	SERBATOIO OLIO LATERALE STAR DX	SIDE OIL TANK - STAR RIGHT	1
LF31/SX	4011406009	SERBATOIO OLIO LATERALE STAR SX	SIDE OIL TANK - STAR LEFT	1
LF32	5060105003	LIVELLO OLIO COMPLETO SLV 127	COMPLETE OIL LEVEL - SLV 127	1
LF33	4011001074	SUPPORTO SERBATOIO LATER. MEC 9-11-13500	SIDE TANK SUPPORT - MEC 9-13500	1
LF34	5050107108	VITE M 8X25 TEF - FL/ZIGR 8.8 -	SCREW - M 8X25 TEF - FL/ZIGR 8.8	2