

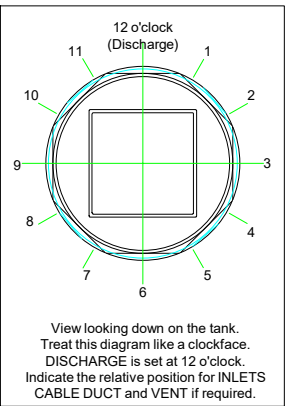
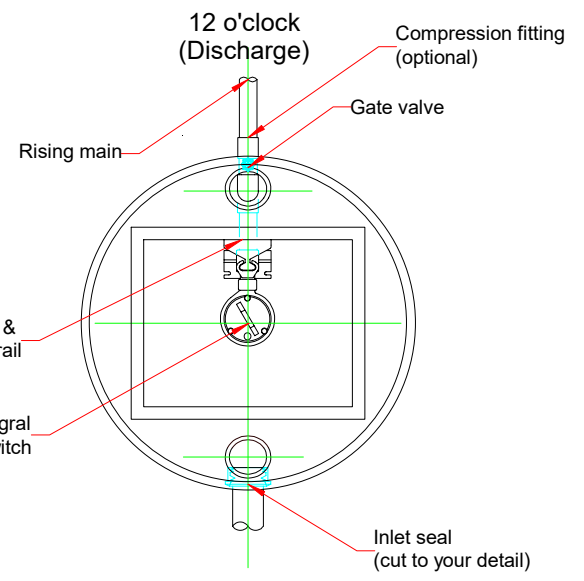
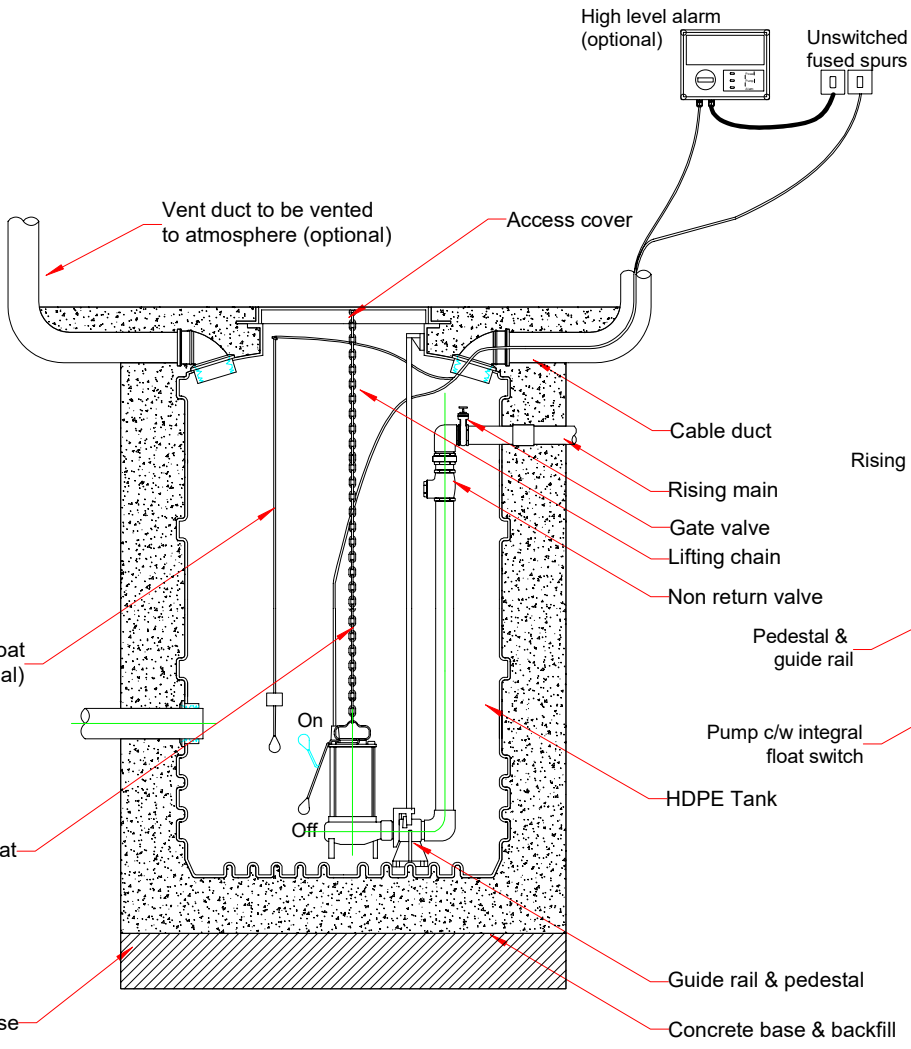
1 2 3 4 5 6

A

Fabrication Specifications				
ITEM	INDEX	DEPTH (mm)	DIA. (mm)	CLOCKFACE POSITION
Tank depth	A			-
Tank Ø	B			-
Inlet	C1		110	
Inlet	C2			
Inlet	C3			
Discharge	D		63	
Cable duct			110	
Vent			110	

Comments
Please Note - Inlet invert should be between 435 - 1550 mm.
Inlet seals and ducts can be supplied loose to be drilled and fitted on site

B



C

PLEASE NOTE THAT THIS DOCUMENT MUST BE READ IN CONJUNCTION WITH THE INSTALLATION & OPERATING GUIDELINES

1 2 3 4 5 6

REV	DETAIL	DATE	DRAWN	TITLE
				CUSTOMER

		DRAWN gf
		SCALE NOT TO SCALE
		SHEET 1 of 1
		REV 0

TOLERANCE +/- 2%

A

B

C

D