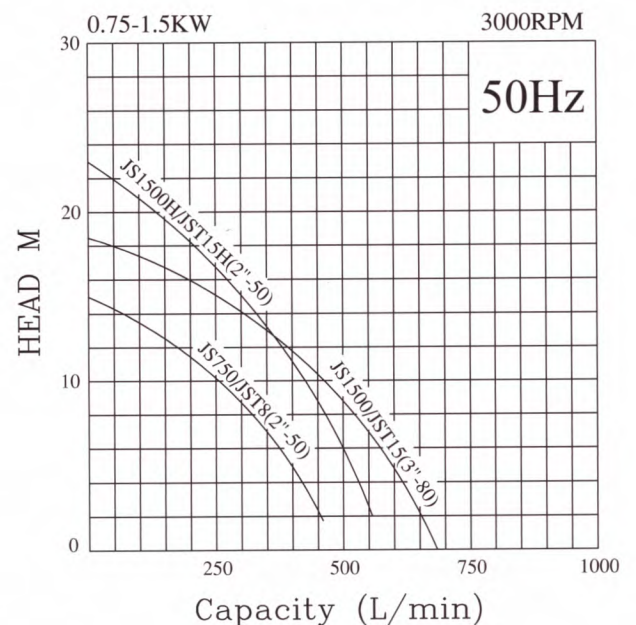
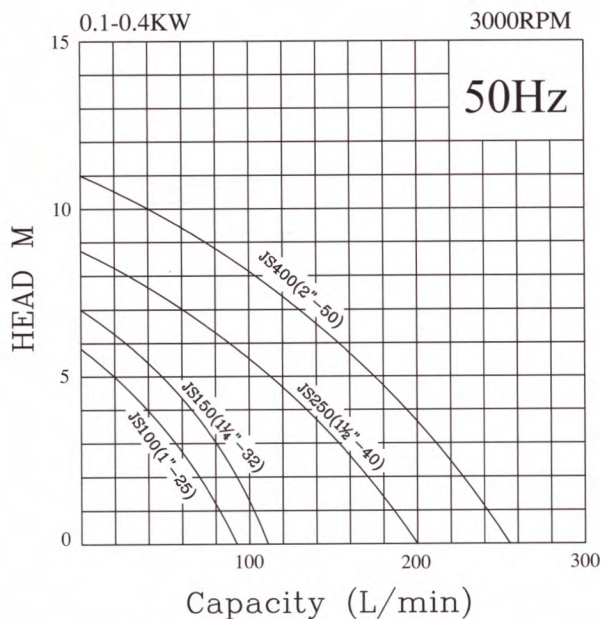


JS Performance Curve

50/60

Pump Type	Output KW	Output HP	Discharge Inch	Voltage	Max			Cable M	Weight kg
					Head M	Capacity L/min	Solid mm		
JS100	0.1	0.14	1	1 phase 100V-240V	6/6	90/90	4	10	5
JS150	0.15	0.2	1 $\frac{1}{4}$		7/7	110/110	4	10	5.5
JS250	0.25	0.34	1 $\frac{1}{2}$		9/8.5	200/180	6	10	9
JS400	0.4	0.5	2		11/11.5	250/230	6	10	10
JS750	0.75	1	2		15/15	450/400	6	10	24
JS1500	1.5	2	3		19/19	680/680	6	10	49
JS1500H	1.5	2	2		23/23	560/560	6	10	49
JST8	0.75	1	2	3 phase 200V-600V	15/15	450/400	6	10	21
JST15	1.5	2	3		19/19	680/680	6	10	26
JST15H	1.5	2	2		22/23	560/560	6	10	26
JST22	2.2	3	3		20/20	1100/1000	10	10	39
JST22H	2.2	3	2		26/29	920/600	10	10	39
JST37	3.7	5	3 or 4		24/27	1200/1100	10	10	45
JST37H	3.7	5	2		31/32	1000/900	10	10	45
JST55	5.5	7.5	4		25/29	1700/1600	10	10	65
JST55H	5.5	7.5	3		36/39	1350/1300	10	10	65
JST75	7.5	10	6		34/37	2000/2000	10	10	75
JST75H	7.5	10	4		40/48	1500/1300	10	10	75
JST110	11	15	6		43/43	2300/2300	10	10	85
JST110H	11	15	6		60/60	1400/1400	10	10	85
JST150	15	20	6		46/45	2750/2650	10	10	167
JST190	19	25	6	54/51	2700/2950	10	10	175	
JST220	22	30	6	60/61	2800/3150	10	10	183	





JS PUMP

JS Series



JS Dewatering Pumps

Effluent wastewater, sump emptying, general dewatering

All around wastewater/dewatering pumps. The JS series offer a long pump life and top performance. Some models are available in High Head construction. Available with slide rail system to save maintenance cost and time.

Construction Material

- Double mechanical seal. (Sic/Car) (Pumps 0.25kw and above.)
- Class F motor insulation.
- Shaft sleeve saves on shaft wear due to abrasives and corrosion.
- Additional lip seal protection keeps impurities and abrasives away from the mechanical seals.
- Thermal overload protection guards against high amperage and high temperature.
- Enhanced cable entry sealing system.

NO.	DESCRIPTION	MATERIAL
01	STRAINER	SUS 304
02	SUCTION COVER	FC 200
03	NUT	SUS 304
04	WASHER	SUS 304
05	IMPELLER	FCD 400
06	KEY	SUS 304
07	PUMP HOUSING	FC 200
07-1	ORING	NBR
08	OIL CHAMBER COVER	FC 200
08-1	ORING	NBR
09	LIP SEAL (BOTTOM)	NBR
11	PLUGS	SUS 304
13	MECHANICAL SEAL	
14	BEARING (BOTTOM)	
16	MOTOR CASING	SUS 304
17	ROTOR SHAFT	SUS 304
18	STATOR	
20	BEARING (UP)	
21A	MOTOR BOTTOM COVER	FC 200
21A-1	ORING	NBR
23	OVERLOAD PROTECTOR	
26	UPPER COVER	FC 200
26-1	ORING	NBR
27	CABLE GLAND	
27-1	ORING	NBR
31	CABLE	PVC
34	HANDLE	
37	OIL	T-32
38	OUTLET	PP
38F	FLANGE	FC 200
38F-1	GASKET	NBR

