

PressureWave™ SERIES



FEATURES

- Single diaphragm design
- NSF Standard 61, CE/PED, WRAS, ACS, ISO:9001 approved
- Patented stainless steel water connection
- Virgin polypropylene liner
- Two part polyurethane, epoxy primed paint finish
- Leak free, o-ring sealed air valve cap
- Comprehensive testing
- No maintenance

PressureWave™ tanks are ideally suited for a wide range of applications, including booster systems, thermal expansion, irrigation systems, and hydraulic hammer arresting.

The PressureWave™ Series is constructed of a virgin polypropylene liner combined with an FDA approved high grade butyl diaphragm. This is held against the wall of the tank with a steel clench ring. The brass air valve, sealed by a threaded o-ring valve cap, prevents air leaks. Water enters the tank through a patented stainless steel water connection. The diaphragm and liner are both reinforced in specific wear areas for longer life. All internal parts including the air valve are rounded to prevent piercing of the diaphragm in extreme conditions. The water connection uniquely provides a dual water/air seal ensuring a complete leak free and maintenance free pressure vessel.

On the exterior the almond colored two-part polyurethane paint finish over an epoxy undercoating provides hundreds of hours of UV and salt spray protection.

PressureWave™ tanks are quality tested at several stages on the production line to insure the structural integrity of every tank.

PressureWave™ tanks represent the best value for the investment and are the best quality pressure vessels available today.

SPECIFICATIONS

PressureWave™ Series Models

BSP	NPT	Nominal Volume		Shipping (box) Volume		Shipping (box) Weight		Dimensions					
		liter	gal	m ³	ft ³	kg	lbs	A		B		C	
		cm	inches	cm	inches	cm	inches	cm	inches	cm	inches	cm	inches
Inline Models													
PWB-2LX *	PWN-2LX *	2	0.5	0.06	2.12	13.60	29.98	20.90	8.23	12.60	4.96		
PWB-4LX	PWN-4LX	4	1.1	0.01	0.35	1.74	3.84	26.10	10.28	16.20	6.38		
PWB-8LX	PWN-8LX	8	2.1	0.014	0.49	2.47	5.45	31.56	12.32	20.20	7.95		
PWB-12LX	PWN-12LX	12	3.2	0.023	0.81	3.21	7.08	36.70	14.45	23.00	9.06		
PWB-18LX	PWN-18LX	18	4.8	0.03	1.06	4.07	8.97	36.70	14.45	27.90	10.98		
PWB-24LX	PWN-24LX	24	6.3	0.042	1.48	5.52	12.17	44.70	17.60	29.00	11.42		
PWB-35LX	PWN-35LX	35	9.3	0.056	1.98	7.28	16.05	48.10	18.90	31.80	12.52		
Horizontal Models													
PWB-8LH	PWN-8LH	8	2.1	0.013	0.46	2.46	5.42	31.30	12.32	23.20	9.13	11.60	4.57
PWB-12LH	PWN-12LH	12	3.2	0.024	0.85	3.56	7.84	36.70	14.45	26.00	10.24	13.25	5.12
PWB-20LH	PWN-20LH	20	5.3	0.04	1.41	4.99	11.00	44.70	17.60	29.20	11.57	14.50	5.79
PWB-24LH	PWN-24LH	24	6.3	0.047	1.65	6.00	13.23	44.70	17.60	32.10	12.64	16.10	6.34
PWB-35LH	PWN-35LH	35	9.3	0.061	2.15	7.80	17.20	48.10	18.94	35.30	13.90	17.90	7.05
PWB-60LH	PWN-60LH	60	15.9	0.09	3.18	11.51	25.37	53.00	20.87	42.40	16.69	21.50	8.46
PWB-80LH	PWN-80LH	80	21.1	0.13	4.59	16.22	35.76	72.60	28.58	42.40	16.69	21.50	8.46
PWB-100LH	PWN-100LH	100	26.4	0.16	5.65	19.84	43.74	72.00	28.35	47.50	18.70	24.50	9.65
Vertical Models w/ base													
PWB-35LV	PWN-35LV	35	9.3	0.063	2.22	7.70	16.98	55.50	21.85	31.80	12.52	12.00	4.72
PWB-60LV	PWN-60LV	60	15.9	0.098	3.46	11.28	24.87	62.00	24.41	38.90	15.31	12.70	5.00
PWB-80LV	PWN-80LV	80	21.1	0.13	4.59	16.24	35.80	81.50	32.09	38.90	15.31	12.70	5.00
PWB-100LV	PWN-100LV	100	26.4	0.16	5.65	19.72	43.47	80.40	31.65	43.00	16.93	12.90	5.08
PWB-130LV	PWN-130LV	130	34.3	0.21	7.42	26.65	58.75	107.40	42.28	43.00	16.93	12.90	5.08
PWB-150LV	PWN-150LV	150	40.0	0.28	9.89	34.63	76.30	93.80	36.38	53.00	20.87	13.85	5.45

Standard System Connection: 1"

All connections are stainless steel unless stated otherwise. Tank precharge: 1.9 bar / 28 psi

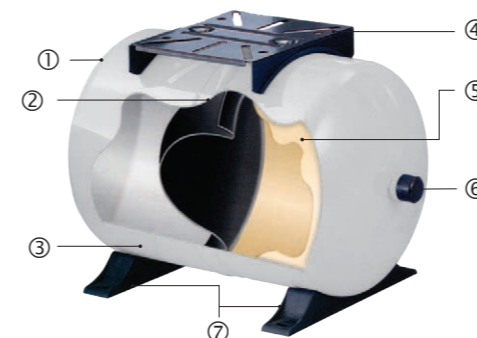
Maximum Working Pressure: 10 bar / 150 psi Maximum Working Temperature: 90°C / 194°F

Available in 16 and 25 bar as Max™ and UltraMax™ Series

Available in smaller sizes as HydroGuard™ Series

* PWB-2LX and PWN-2LX: 12 pcs/ box

Note: Minor dimensional variation may occur



- ① Leak free, o-ring sealed air valve cap
- ② Single diaphragm design
- ③ Two part polyurethane, epoxy primed paint finish
- ④ Nylon Plastic Pump Stand
- ⑤ Virgin polypropylene liner
- ⑥ Patented stainless steel water connection
- ⑦ Plastic Tank Feet

