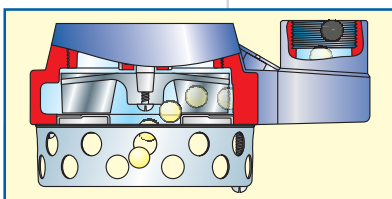


During low-flow dry running conditions, the water level in the sump can go down until the pump is completely empty. Then when water level rises the air in the pump would be prevented from escaping by the non-return valve, and the pump would not operate. The breather pipe valve installed on vertical outlet models allows air to vent and assures normal operation.

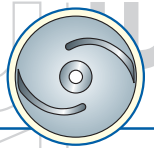
(*) single-phase models only



Free passage

MAX 15 mm

The strainer construction and the particular curvature of the impeller blades allow passage of solid bodies of maximum 15 mm. The DR hydraulic pump is suitable for treatment of clear and grey water.

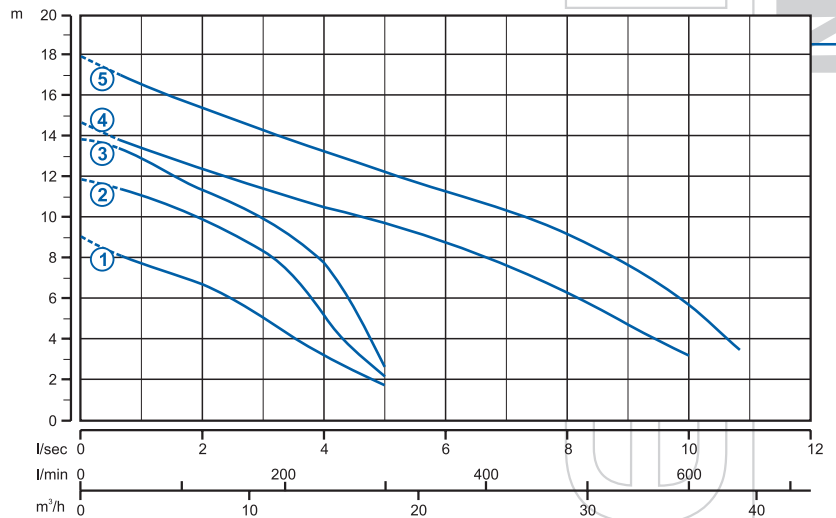


Code	Model	Power		Current	rpm	vertical outlet (Ø mm)	Mesh holes (mm)
		V	kW HP				
① 1094	DR BluePRO 50/2/G32V M	220/240~	0.37 0.5	2.8	2900	1 1/4"	15
① 1096	DR BluePRO 50/2/G32V T	380/400~	0.37 0.5	1.15	2900	1 1/4"	15
② 1098	DR BluePRO 75/2/G32V M	220/240~	0.55 0.75	4.1	2900	1 1/4"	15
② 1100	DR BluePRO 75/2/G32V T	380/400~	0.55 0.75	1.45	2900	1 1/4"	15
③ 1090	DR BluePRO 100/2/G32V M	220/240~	0.74 1.0	5.6	2900	1 1/4"	15
③ 1092	DR BluePRO 100/2/G32V T	380/400~	0.74 1.0	2.15	2900	1 1/4"	15
④ 1106	DR BluePRO 150/2/G50V M	220/240~	1.1 1.5	7.5	2900	2"	30 x 10
④ 1107	DR BluePRO 150/2/G50V T	380/400~	1.1 1.5	3.2	2900	2"	30 x 10
⑤ 1108	DR BluePRO 200/2/G50V M	220/240~	1.5 2.0	10	2900	2"	30 x 10
⑤ 1109	DR BluePRO 200/2/G50V T	380/400~	1.5 2.0	4.3	2900	2"	30 x 10



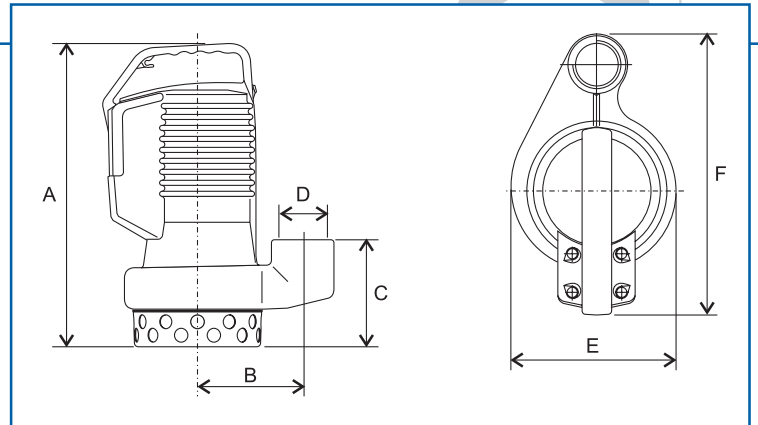
The single-phase version is equipped with overheating protection, capacitor and float switch
The three-phase version is equipped with a relay and float switch
10 m cable

Hydraulic performance



	l/s	0	1	2	3	4	5	6	7	8	9	10
① DR BluePRO 50/2/G32V M(T)	l/min	0	60	120	180	240	300	360	420	480	540	600
② DR BluePRO 75/2/G32V M(T)	m³/h	0	3.6	7.2	10.8	14.4	18	21.6	25.2	28.8	32.4	36
③ DR BluePRO 100/2/G32V M(T)		9.0	7.6	6.7	5.1	3.2	1.9					
④ DR BluePRO 150/2/G50V M(T)		11.9	11.1	9.9	8.3	5.2	2.1					
⑤ DR BluePRO 200/2/G50V M(T)		13.9	13.0	11.3	10.0	7.8	2.6					
		14.6	13.2	12.2	11.4	10.5	9.9	8.7	7.7	6.4	4.7	3.3
		18.0	16.7	15.3	14.3	13.2	12.2	11.3	10.3	9.3	7.5	5.8

Dimensions



	A	B	C	D	E	F	Kg
DR BluePRO 50/2/G32V M(T)	294	114	112	1 1/4"	150	257	12.0
DR BluePRO 75/2/G32V M(T)	322	114	112	1 1/4"	150	257	13.5
DR BluePRO 100/2/G32V M(T)	322	114	112	1 1/4"	150	257	14.0
DR BluePRO 150/2/G50V M(T)	422	130	170	2"	175	295	23.0
DR BluePRO 200/2/G50V M(T)	422	130	170	2"	175	295	24.0