

# BEST 2-5

## SUBMERSIBLE ELECTRIC PUMPS

in AISI 304



Submersible electric pumps completely in AISI 304 stainless steel.

### APPLICATIONS

- Moving seepage water
- Draining cellars, garages and basements
- Draining small to medium cellars

### TECHNICAL DETAILS

- Versatile
- They can be used in fixed or mobile installations
- Equipped with 10 m of H07 RN-F power supply cable
- Available with or without float

### TECHNICAL DATA

- Maximum immersion: 10 m
- Maximum temperature of the liquid: 35°C
- Max. solids size for passage: 10 mm
- Self-ventilated 2 pole asynchronous motor
- Class of insulation F
- IP68 Protection rating
- 230V ±10%, 50Hz single phase voltage, 400 ±10%, 50Hz three phase voltage
- Permanent capacitor inserted and thermo-ampereometric protection with automatic rearm incorporated for the single phase motor
- Protection under user's responsibility for the three phase version
- G1½ Discharge connection

### MATERIALS

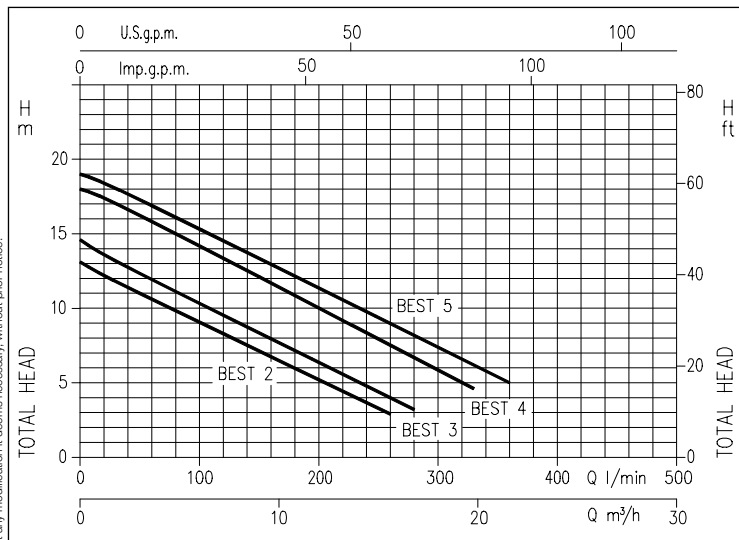
- Pump body, impeller, suction grill, motor cover, seal housing disc and motor case in AISI 304
- Shaft in AISI 303 (part in contact with the liquid)
- Twin mechanical seal with oil chamber:
  - upper in Carbon/Ceramic/NBR (motor side)
  - lower in SiC/SiC/NBR (pump side)

### SPECIAL VERSIONS

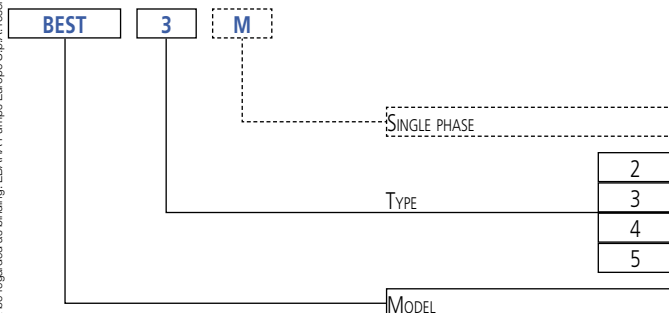
- MA version with float

For accessories and control panels see from page 134

### PERFORMANCE CURVES (according to ISO 9906 Attachment A)



### IDENTIFICATION CODE



The contents of this publication must not be regarded as binding. EBARA Pumps Europe S.p.A. reserves the right to effect any modification it deems necessary, without prior notice.

# BEST 2-5

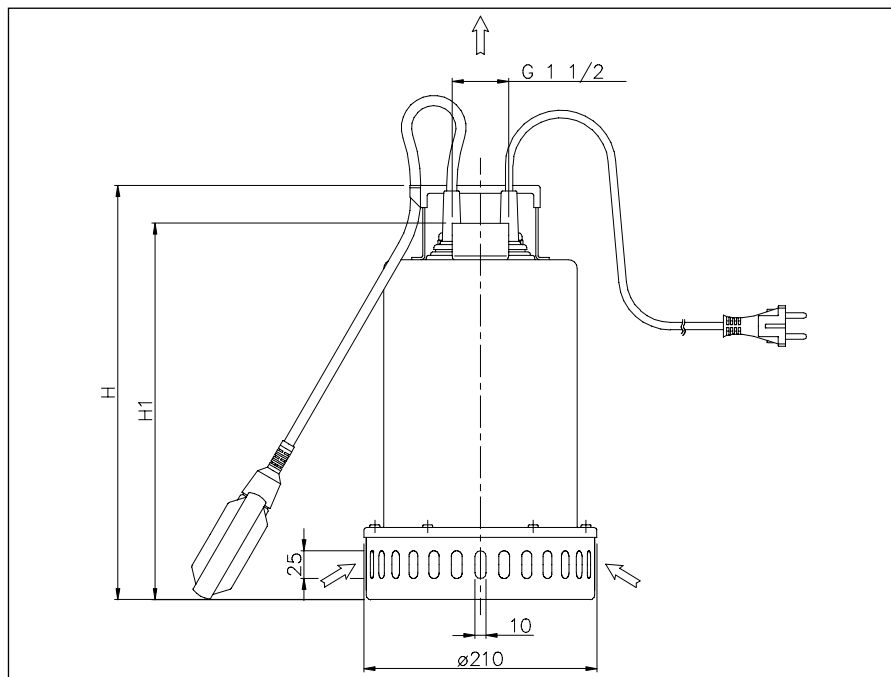
## SUBMERSIBLE ELECTRIC PUMPS

in AISI 304

### PERFORMANCE TABLE

Model	P <sub>1</sub>	Capacitor	Absorbed Curr.	Q=Flow rate																				
				Single phase 230V	Three phase 400V	[HP]	[kW]	μF	Vc	1~	3~	l/min	20	40	80	120	160	170	200	260	280	300	330	360
				H=Head [m]																				
BEST 2 M	BEST 2	0,75	0,55	16	450	4,4	2	12,2	11,4	9,8	8,3	6,7	6,3	5,0	2,9	-	-	-	-	-	-	-	-	-
BEST 3 M	BEST 3	1	0,75	20	450	5,6	2,4	13,6	12,7	11,1	9,5	7,9	7,6	6,4	4,0	3,2	-	-	-	-	-	-	-	-
BEST 4 M	BEST 4	1,5	1,1	30	450	7,3	3	17,4	16,6	15,0	13,4	11,7	11,3	10,0	7,5	6,7	5,9	4,6	-	-	-	-	-	-
	BEST 5	2	1,5	-	-	-	3,3	18,4	17,7	16,1	14,5	12,8	12,5	11,4	9,0	8,0	7,4	6,0	5,0	-	-	-	-	-

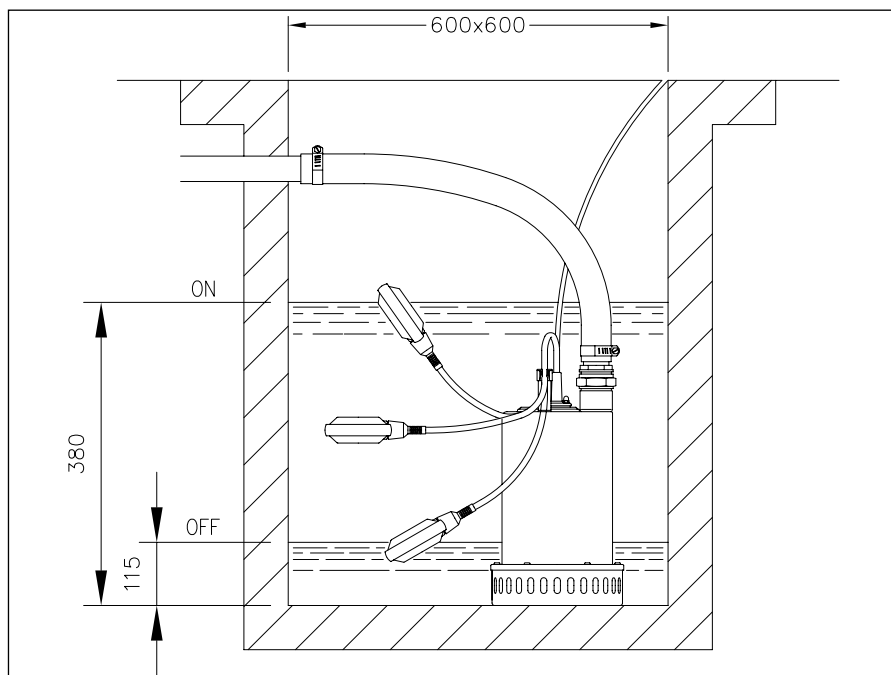
### DIMENSIONS



### DIMENSIONS TABLE

Model	Dimensions [mm]		Weight [kg]
	H	H1	
BEST 2	352	315	12,0
BEST 3	352	315	12,7
BEST 4	377	340	13,8
BEST 5	377	340	13,5

### INSTALLATION

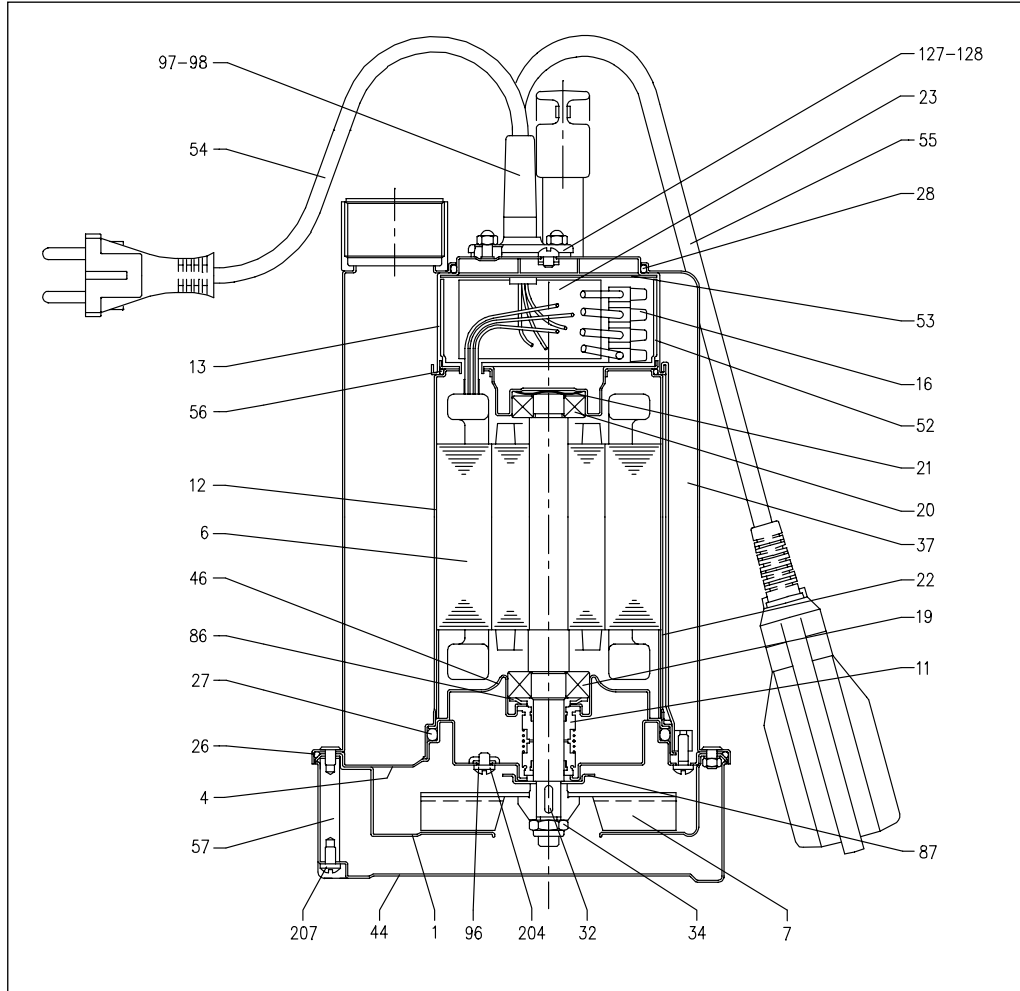


# BEST 2-5

## SUBMERSIBLE ELECTRIC PUMPS

in AISI 304

### SECTIONAL VIEW



### MATERIALS TABLE

Ref.	Name	Material	Ref.	Name	Material
1	Volute	AISI 304	37	External pump body	AISI 304
4	Motor support	AISI 304	44	Filter	AISI 304
6	Shaft with rotor	AISI 303	46	Bearing support	AISI 304
7	Impeller	AISI 304	52	P/cap. box	PA66 reinf. with fibreglass
11	Mechanical seal	NBR	53	Box lid	PA66
12	Motor case	-	54	Cable	-
13	Motor cover	AISI 304	55	Float	-
16	Box	-	56	O-Ring	NBR
19	Pump side bearing	-	57	Nut	AISI 303
20	Fan side bearing	-	86	Washer	AISI 304
21	Adjusting ring	STEEL C70	87	Wear ring	AISI 304
22	Tie-rod	AISI 304	96	O-Ring	NBR
23	Capacitor	-	97	Cable gland	NBR
26	O-Ring	NBR	98	Cable gland	NBR
27	O-Ring	NBR	127	Cable gland	AISI 304
28	O-Ring	NBR	128	Cable gland	AISI 304
32	Key	AISI 304	204	Screw	STEEL A2 UNI 7323
34	Impeller nut	AISI 304	207	Screw	STEEL A2 UNI 7323

The contents of this publication must not be regarded as binding. EBARA Pumps Europe S.p.A. reserves the right to effect any modification it deems necessary, without prior notice.