

3D SERIES

NORMALISED AND MONOBLOCK CENTRIFUGAL ELECTROPUMPS CONFORMING TO EN 733 (EX DIN 24255)

Cast iron monoblock (3D SERIES) and normalised centrifugal electropumps conforming to EN 733 (3DS-3DP SERIES).

APPLICATIONS

- Handling of water and clean, chemically non-aggressive liquids
- Water supply
- Pressurisation
- Washing and industrial plants
- Water circulation in climate control systems
- Irrigation and agriculture

TECHNICAL DETAILS

- Highly robust construction
- Stainless steel impeller
- High efficiency

PUMP TECHNICAL DATA

- Maximum working pressure: 10 bar
 - Temperature of the liquid:
 - 5°C ÷ +90°C
 - 5°C ÷ +110°C (versions H-HS-HW-HSW)
 - 5°C ÷ +120°C (version E)
 - MEI > 0.4
- For further information please see our Data Book on the web site www.ebara-europe.com

MOTOR TECHNICAL DATA

- IE3 high energy-efficiency motors starting from 0.75kW
- Self-ventilated 2-pole and 4-pole asynchronous motors
- Class of insulation F (B for high temperatures)
- IP 55 protection degree
- 230V ±10% 50Hz single phase voltage, 230/400 ±10% three-phase voltage (up to 4 kW included), 50 Hz, 400/690V ± 10% (from 5.5 kW and above) three phase voltage, 50 Hz
- Protection to be arranged by the user

MATERIALS

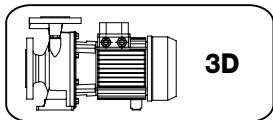
- Cast iron pump body EN-GJL-250-EN 1561
- Impeller in:
 - AISI 304 steel for SERIES 3D 32, 40, 50
 - AISI 316 microcast steel for SERIES 3D 65
- AISI 304 steel shaft (part in contact with the liquid)
- Mechanical seal in:
 - Ceramic/Carbon/NBR (standard)
 - Special versions: see p. 165 for 3D SERIES 2 poles, p. 192 for 3D SERIES 4 poles

SPECIAL VERSIONS

- Special voltages
- 3DPF version (only hydraulic part) available upon request

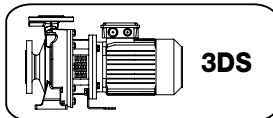


Available in 3 versions with 2 and 4 pole motors



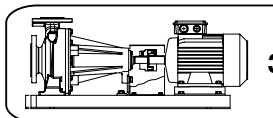
3D

Monobloc with extended motor shaft



3DS

Monobloc with standard motor and rigid joint



3DP

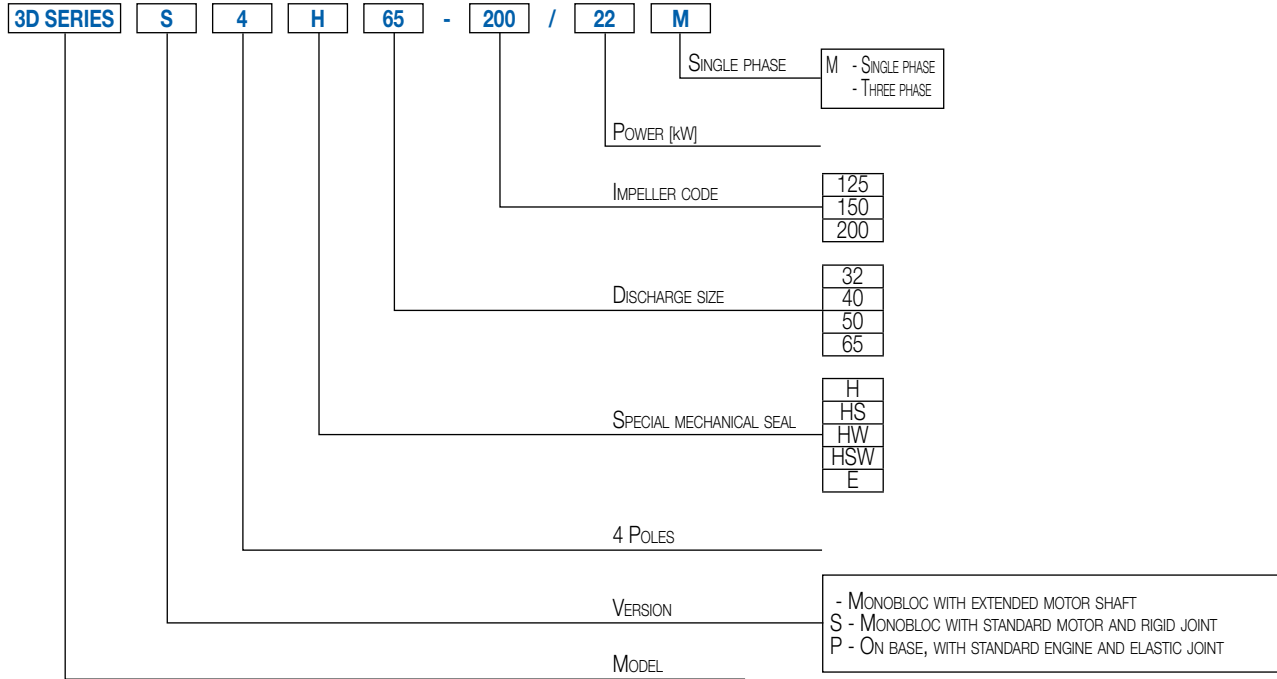
On base, with standard motor and flexible coupling



3D SERIES

NORMALISED AND MONOBLOCK CENTRIFUGAL ELECTROPUMPS CONFORMING TO EN 733 (EX DIN 24255)

IDENTIFICATION CODE



The content of this publication should not be considered mandatory. EBARA Pumps Europe S.p.A. reserves the right to change the content without prior notice.

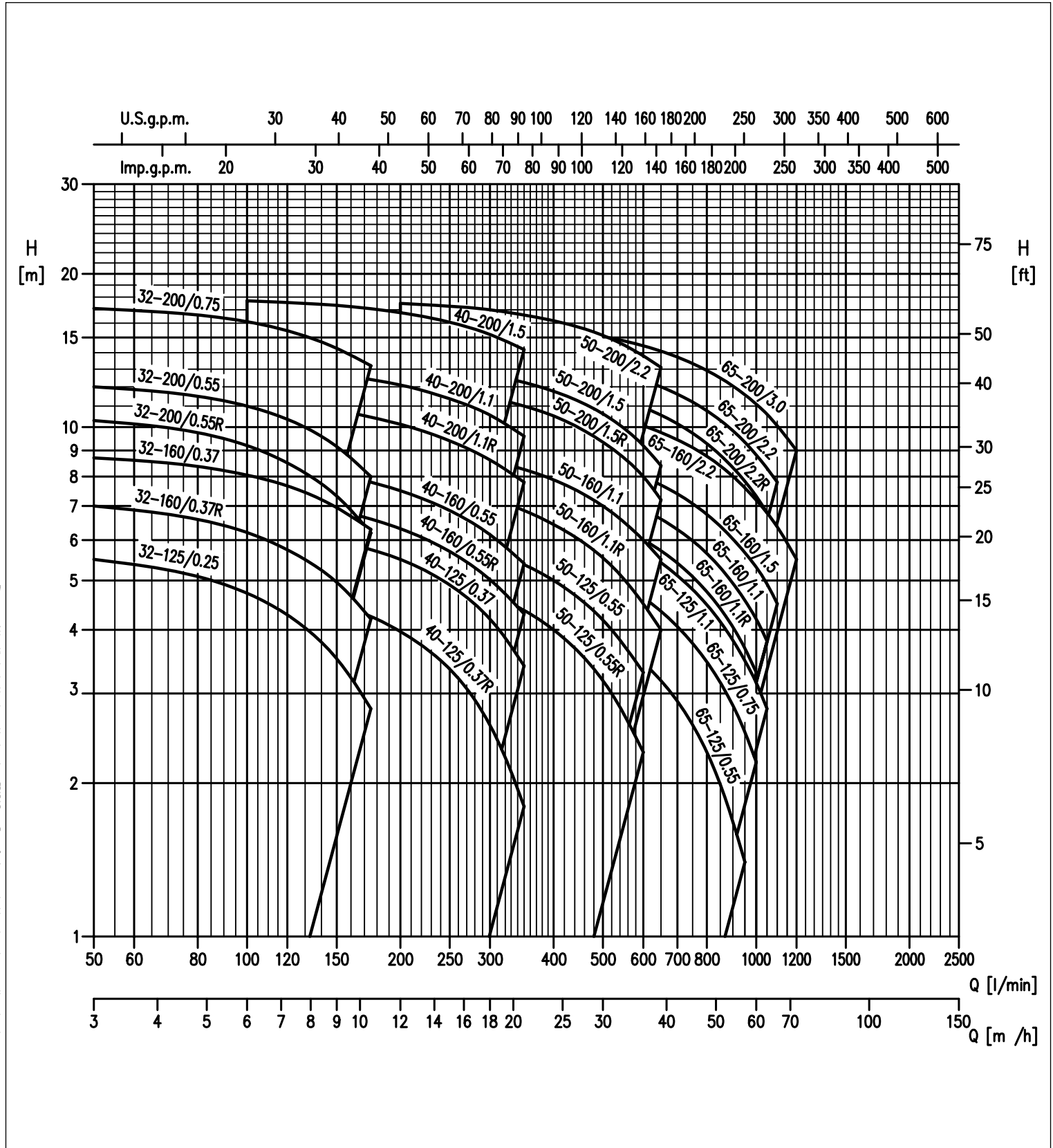


3D SERIES

NORMALISED AND MONOBLOCK CENTRIFUGAL ELECTROPUMPS
CONFORMING TO EN 733 (EX DIN 24255)

PERFORMANCE RANGE at 1400 min⁻¹ (according to ISO 9906 Attachment A)

4 Poles



The content of this publication should not be considered mandatory. EBARA Pumps Europe S.p.A. reserves the right to change the content without prior notice.

3D SERIES

NORMALISED AND MONOBLOCK CENTRIFUGAL ELECTROPUMPS CONFORMING TO EN 733 (EX DIN 24255)

PERFORMANCE CHART SERIES 3D(.)4 32

4 Poles

Model	P ₂		Q = Flow Rate				
	[HP]	[kW]	l/min	50	100	150	175
			m ³ /h	3	6	9	10.5
			H=Head [m]				
3D(.)4 32-125/0.25	0.33	0.25		5.5	4.7	3.5	2.8
3D(.)4 32-160/0.37R	0.5	0.37		7.0	6.2	5.0	4.2
3D(.)4 32-160/0.37	0.5	0.37		8.7	8.1	7.0	6.3
3D(.)4 32-200/0.55R	0.75	0.55		10.3	9.2	7.3	6.2
3D(.)4 32-200/0.55	0.75	0.55		12.0	11.0	9.2	8.0
3D(.)4 32-200/0.75	1	0.75		17.1	16.1	14.3	13.2

PERFORMANCE CHART SERIES 3D(.)4 40

4 Poles

Model	P ₂		Q = Flow Rate							
	[HP]	[kW]	l/min	100	150	175	200	250	300	350
			m ³ /h	6	9	10.5	12	15	18	21
			H=Head [m]							
3D(.)4 40-125/0.37R	0.5	0.37		4.8	4.5	4.3	4.0	3.4	2.6	1.8
3D(.)4 40-125/0.37	0.5	0.37		6.3	6.0	5.8	5.5	4.9	4.2	3.4
3D(.)4 40-160/0.55R	0.75	0.55		7.3	6.9	6.6	6.3	5.7	5.0	4.3
3D(.)4 40-160/0.55	0.75	0.55		8.6	8.1	7.8	7.5	6.9	6.2	5.4
3D(.)4 40-200/1.1R	1.5	1.1		11.2	10.8	10.5	10.1	9.4	8.6	7.8
3D(.)4 40-200/1.1	1.5	1.1		13.2	12.7	12.4	12.1	11.4	10.6	9.6
3D(.)4 40-200/1.5	2	1.5		17.7	17.3	17.1	16.8	16.1	15.2	14.2

PERFORMANCE CHART SERIES 3D(.)4 50

4 Poles

Model	P ₂		Q = Flow Rate								
	[HP]	[kW]	l/min	200	250	300	350	400	500	600	650
			m ³ /h	12	15	18	21	24	30	36	39
			H=Head [m]								
3D(.)4 50-125/0.55R	0.75	0.55		5.2	5.0	4.7	4.4	4.0	3.2	2.3	-
3D(.)4 50-125/0.55	0.75	0.55		6.2	6.0	5.7	5.4	5.0	4.2	3.3	-
3D(.)4 50-160/1.1R	1.5	1.1		7.8	7.6	7.2	6.9	6.4	5.5	4.5	4.0
3D(.)4 50-160/1.1	1.5	1.1		9.1	8.9	8.6	8.3	7.9	7.0	6.0	5.5
3D(.)4 50-200/1.5R	2	1.5		12.1	11.8	11.4	11.0	10.5	9.3	8.0	7.2
3D(.)4 50-200/1.5	2	1.5		13.3	13.0	12.7	12.2	11.8	10.6	9.2	8.4
3D(.)4 50-200/2.2	3	2.2		17.5	17.3	17.0	16.6	16.2	15.1	13.8	13.1

PERFORMANCE CHART SERIES 3D(.)4 65

4 Poles

Model	P ₂		Q = Flow Rate										
	[HP]	[kW]	l/min	300	350	500	600	800	950	1000	1050	1100	1200
			m ³ /h	18	21	30	36	48	57	60	63	66	72
			H=Head [m]										
3D(.)4 65-125/0.55	0.75	0.55		4.8	4.6	4.0	3.5	2.3	1.4	-	-	-	-
3D(.)4 65-125/0.75	1	0.75		6.0	5.8	5.2	4.6	3.5	2.5	2.2	-	-	-
3D(.)4 65-125/1.1	1.5	1.1		7.2	7.0	6.3	5.7	4.5	3.5	3.2	2.8	-	-
3D(.)4 65-160/1.1	1.5	1.1		-	8.1	7.4	6.9	5.7	4.6	4.2	3.8	-	-
3D(.)4 65-160/1.5	2	1.5		-	9.2	8.5	8.0	6.7	5.7	5.3	4.9	4.5	-
3D(.)4 65-160/2.2	3	2.2		-	11.3	10.6	10.1	8.8	7.6	7.2	6.8	6.4	5.5
3D(.)4 65-200/2.2R	3	2.2		-	12.4	11.6	10.9	9.3	7.8	7.3	6.8	-	-
3D(.)4 65-200/2.2	3	2.2		-	13.9	13.0	12.4	10.8	9.3	8.8	8.3	7.8	-
3D(.)4 65-200/3	4	3		-	15.8	15.1	14.4	12.9	11.6	11.1	10.6	10.1	9.0

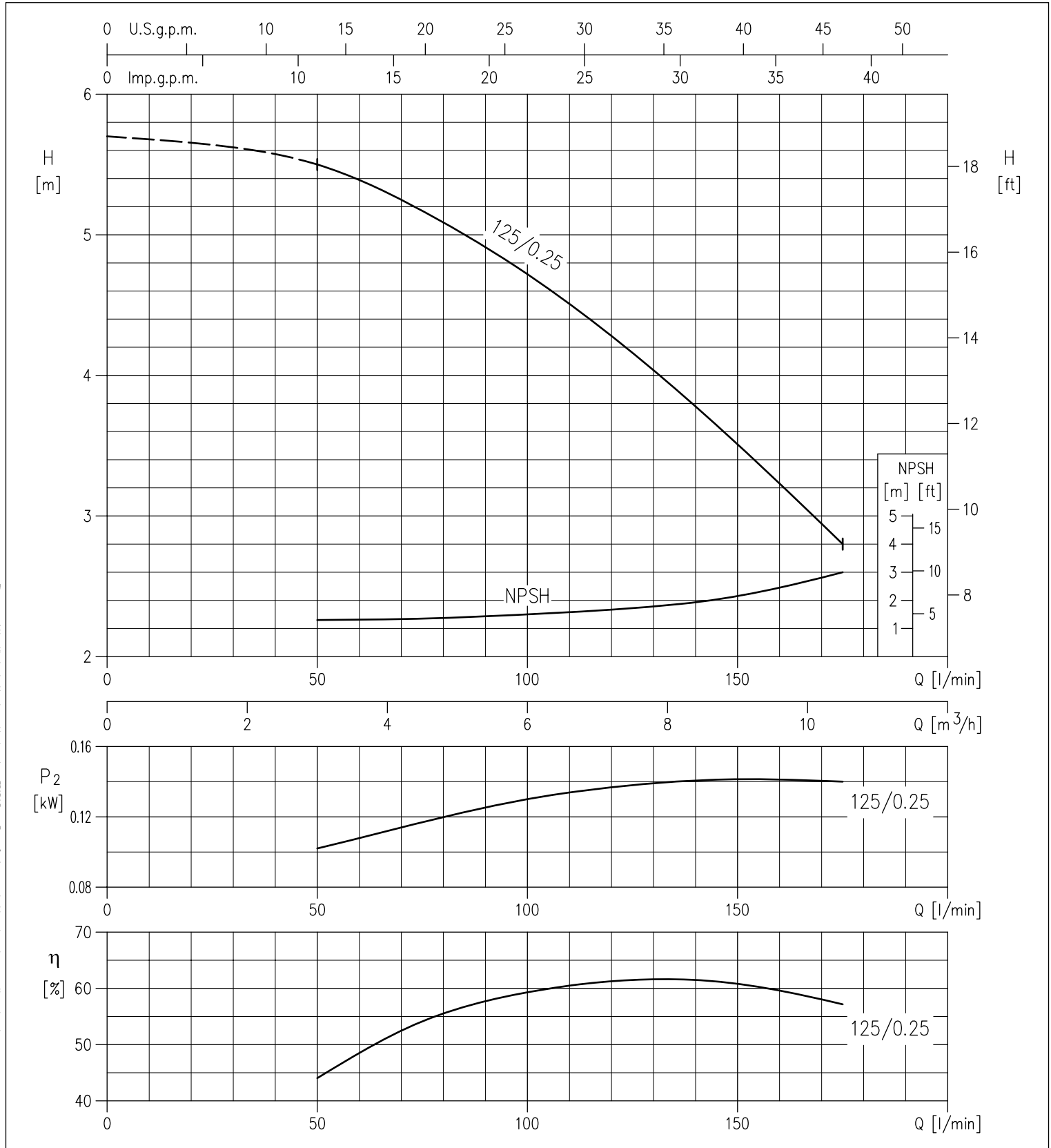


3D SERIES

NORMALISED AND MONOBLOCK CENTRIFUGAL ELECTROPUMPS CONFORMING TO EN 733 (EX DIN 24255)

PERFORMANCE CURVES 3D 4 32-125 SERIES at 1400 min⁻¹ (according to ISO 9906 Attachment A)

4 Poles



The content of this publication should not be considered mandatory. EBARA Pumps Europe S.p.A. reserves the right to change the content without prior notice.

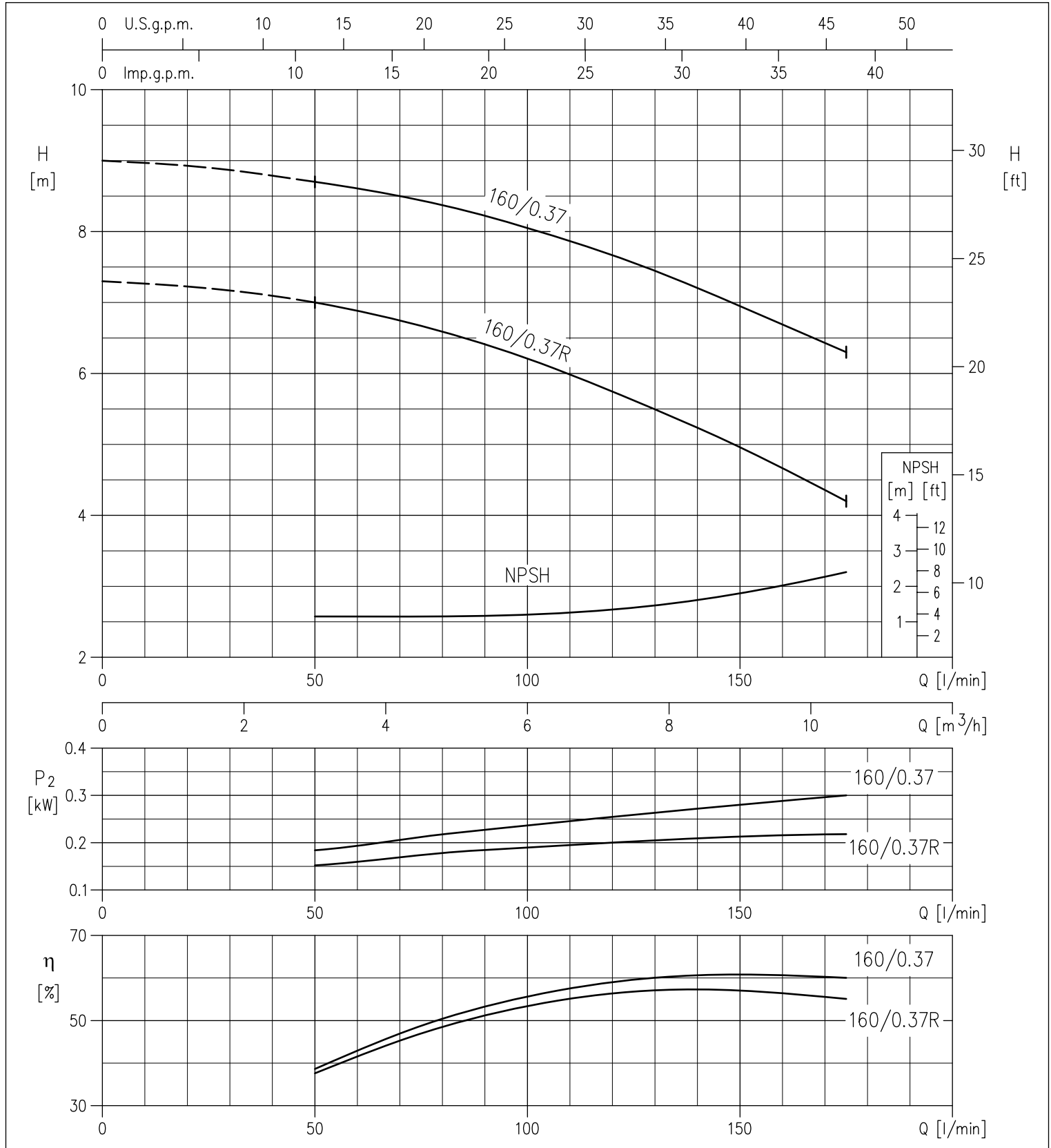


3D SERIES

NORMALISED AND MONOBLOCK CENTRIFUGAL ELECTROPUMPS CONFORMING TO EN 733 (EX DIN 24255)

PERFORMANCE CURVES 3D(,)4 32-160 SERIES at 1400 min⁻¹ (according to ISO 9906 Attachment A)

4 Poles



The content of this publication should not be considered mandatory. EBARA Pumps Europe S.p.A. reserves the right to change the content without prior notice.

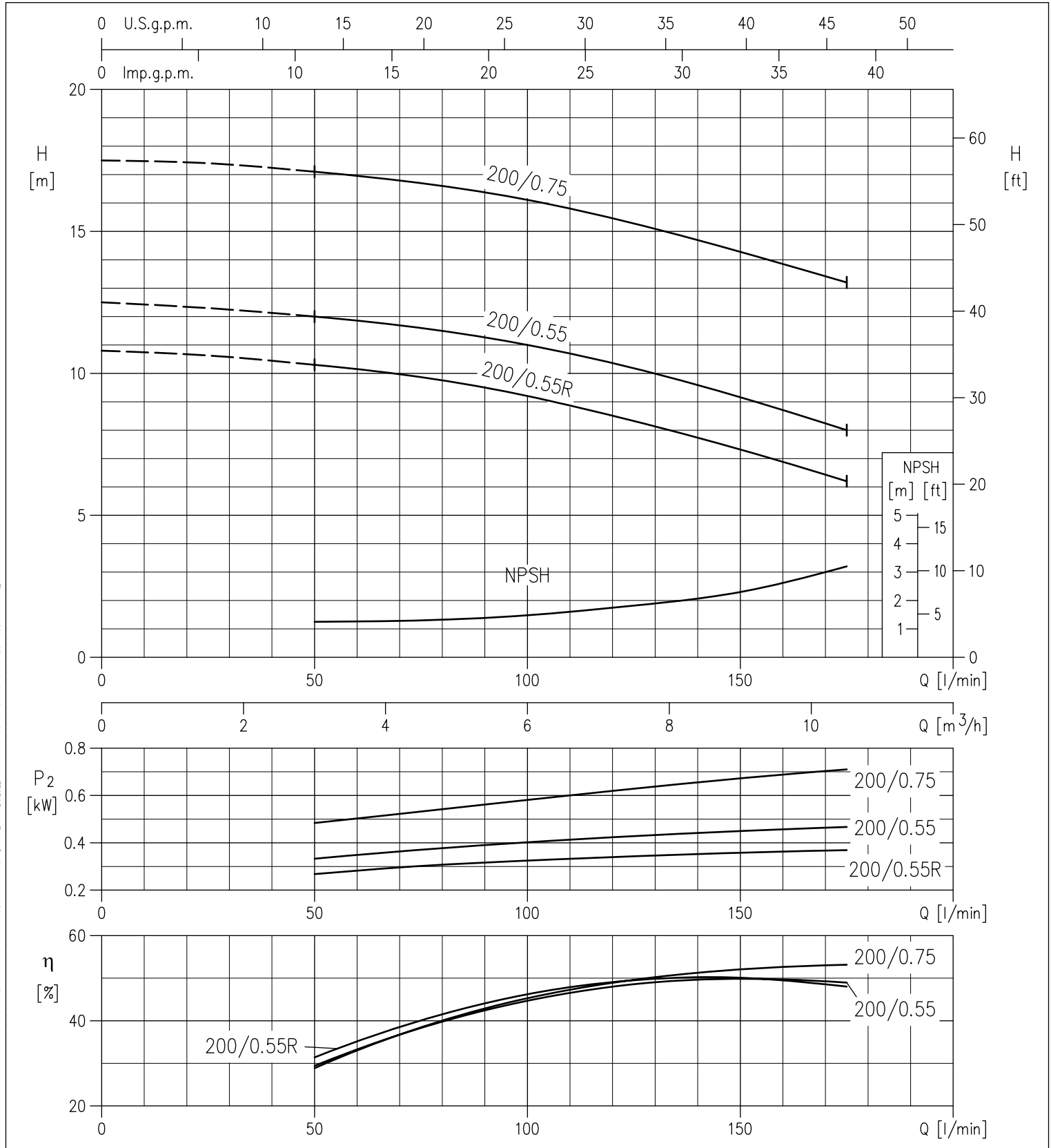


3D SERIES

NORMALISED AND MONOBLOCK CENTRIFUGAL ELECTROPUMPS CONFORMING TO EN 733 (EX DIN 24255)

PERFORMANCE CURVES 3D(,)4 32-200 SERIES at 1400 min⁻¹ (according to ISO 9906 Attachment A)

4 Poles



The content of this publication should not be considered mandatory. EBARA Pumps Europe S.p.A. reserves the right to change the content without prior notice.

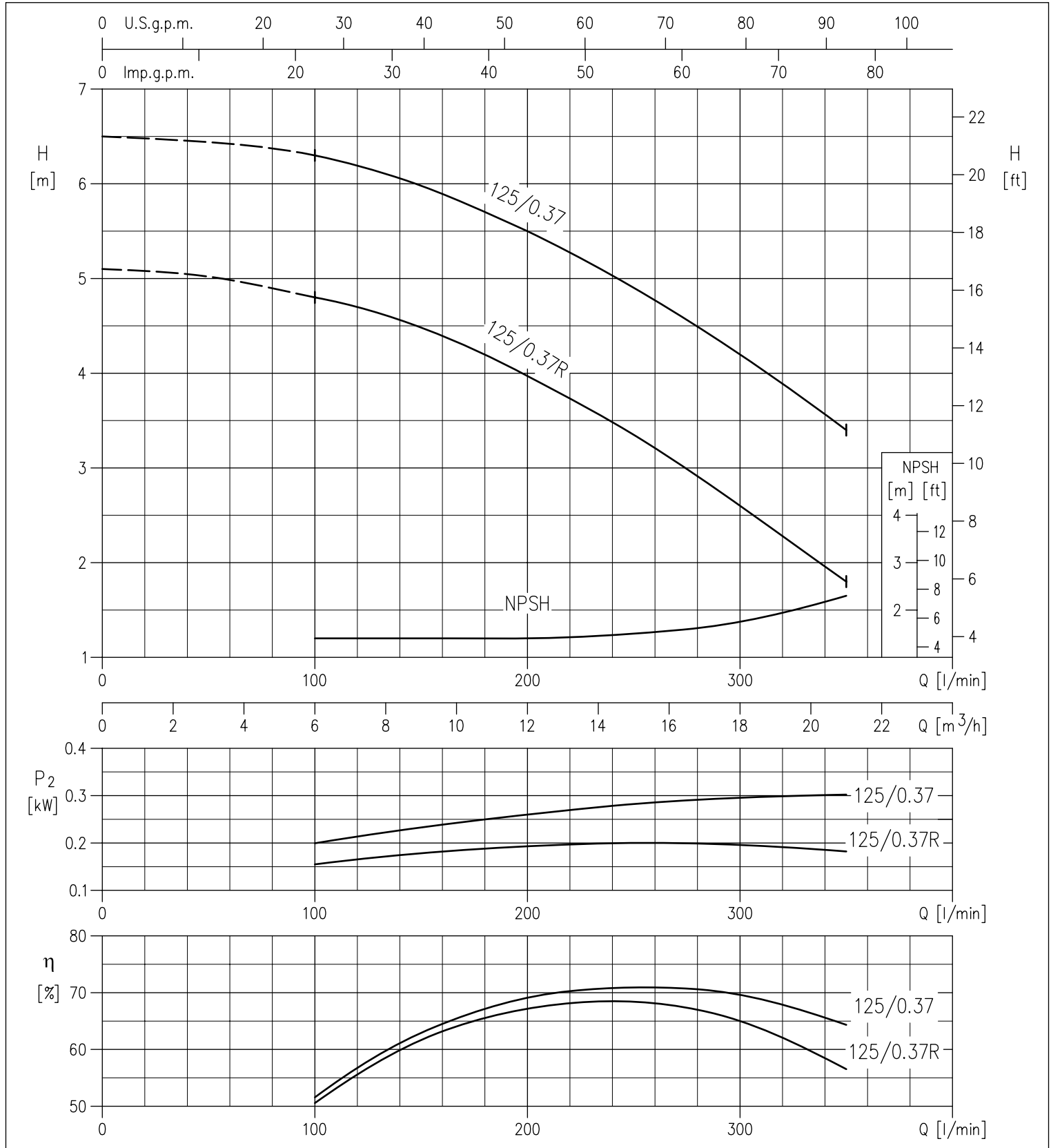


3D SERIES

NORMALISED AND MONOBLOCK CENTRIFUGAL ELECTROPUMPS CONFORMING TO EN 733 (EX DIN 24255)

PERFORMANCE CURVES 3D(,)4 40-125 SERIES at 1400 min⁻¹ (according to ISO 9906 Attachment A)

4 Poles



The content of this publication should not be considered mandatory. EBARA Pumps Europe S.p.A. reserves the right to change the content without prior notice.

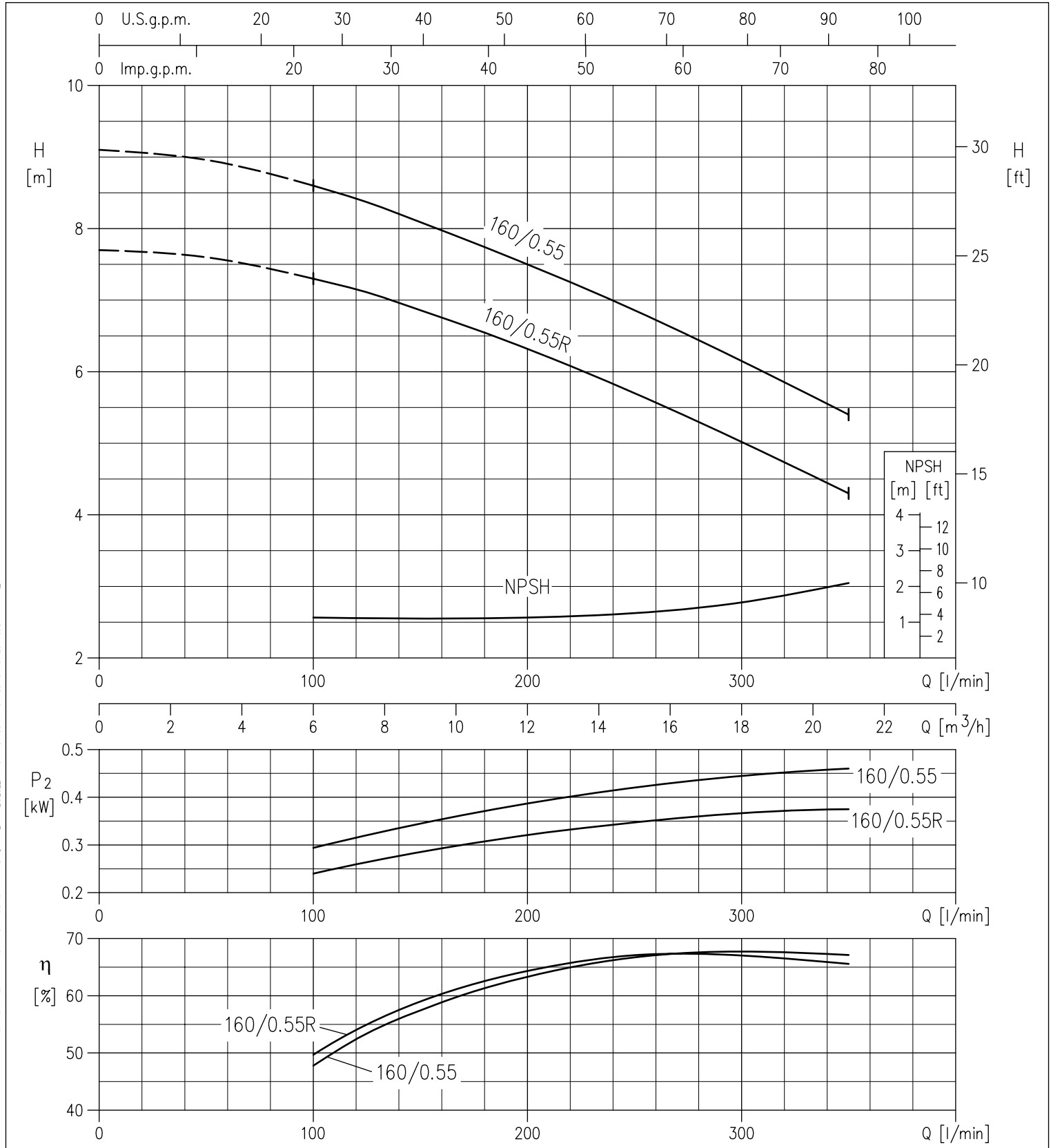


3D SERIES

NORMALISED AND MONOBLOCK CENTRIFUGAL ELECTROPUMPS CONFORMING TO EN 733 (EX DIN 24255)

PERFORMANCE CURVES 3D(.)4 40-160 SERIES at 1400 min⁻¹ (according to ISO 9906 Attachment A)

4 Poles



The content of this publication should not be considered mandatory. EBARA Pumps Europe S.p.A. reserves the right to change the content without prior notice.

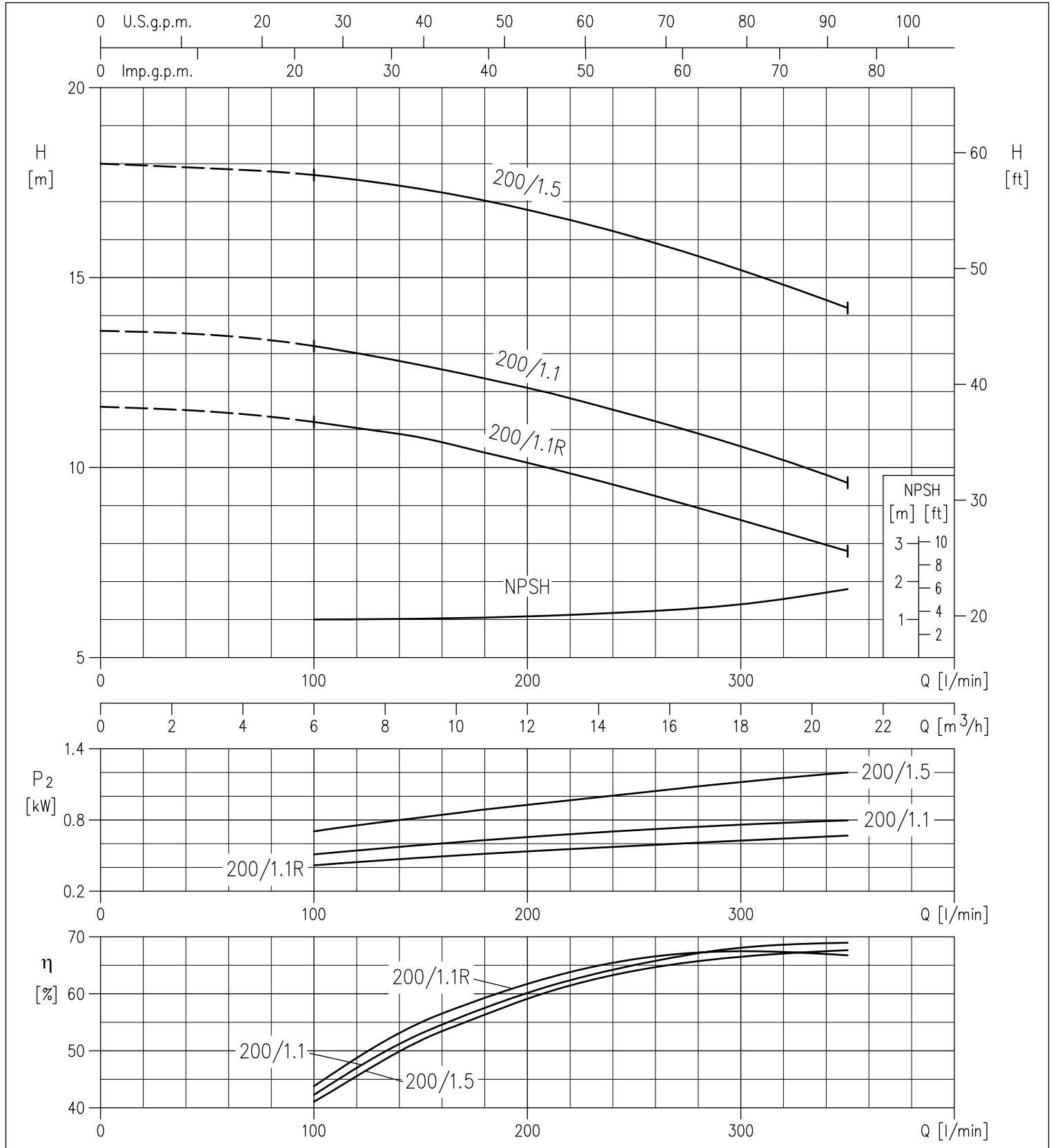


3D SERIES

NORMALISED AND MONOBLOCK CENTRIFUGAL ELECTROPUMPS CONFORMING TO EN 733 (EX DIN 24255)

PERFORMANCE CURVES 3D(,)4 40-200 SERIES at 1400 min⁻¹ (according to ISO 9906 Attachment A)

4 Poles



The content of this publication should not be considered mandatory. EBARA Pumps Europe S.p.A. reserves the right to change the content without prior notice.

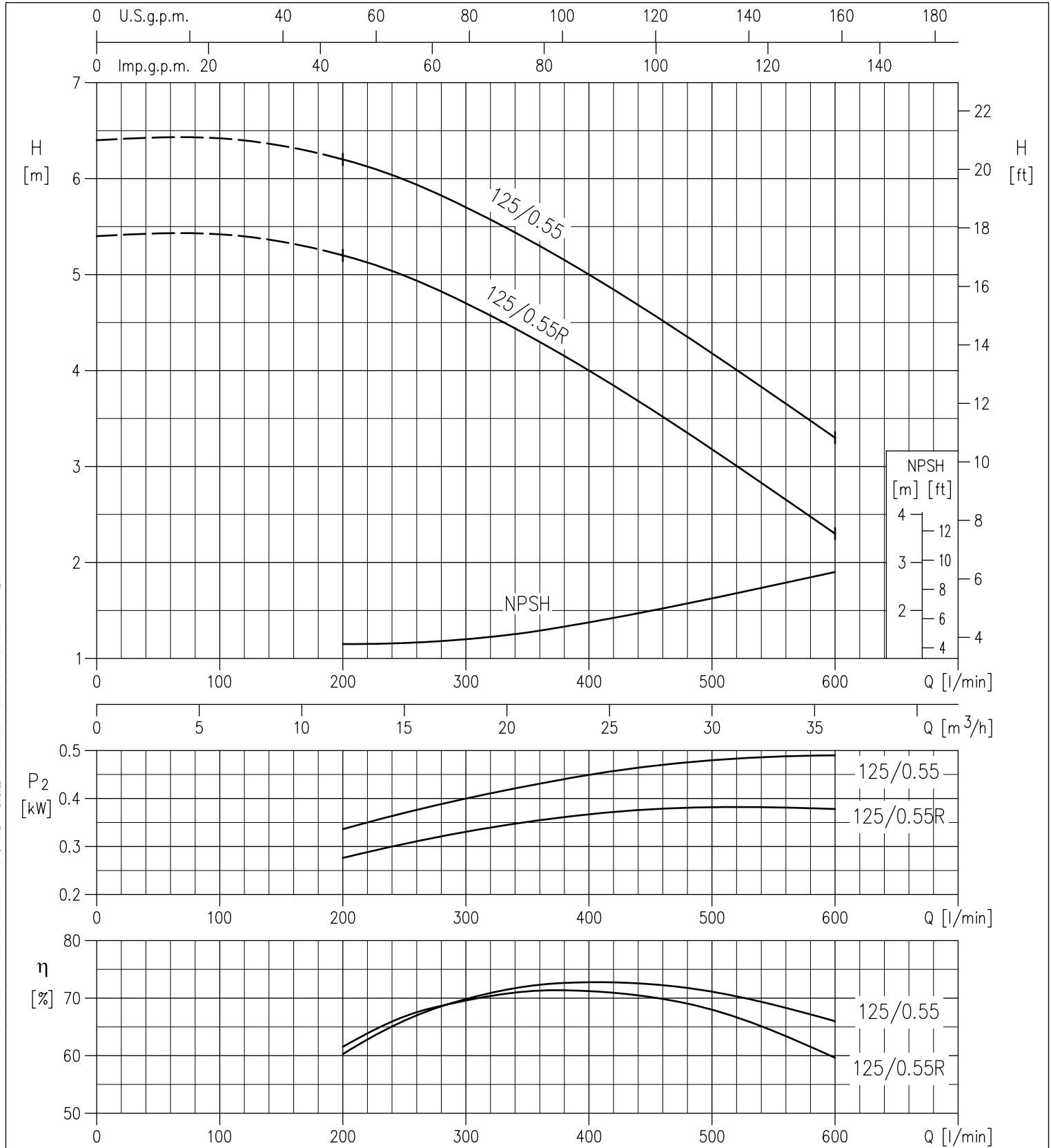


3D SERIES

NORMALISED AND MONOBLOCK CENTRIFUGAL ELECTROPUMPS CONFORMING TO EN 733 (EX DIN 24255)

PERFORMANCE CURVES 3D(,)4 50-125 SERIES at 1400 min⁻¹ (according to ISO 9906 Attachment A)

4 Poles



The content of this publication should not be considered mandatory. EBARA Pumps Europe S.p.A. reserves the right to change the content without prior notice.

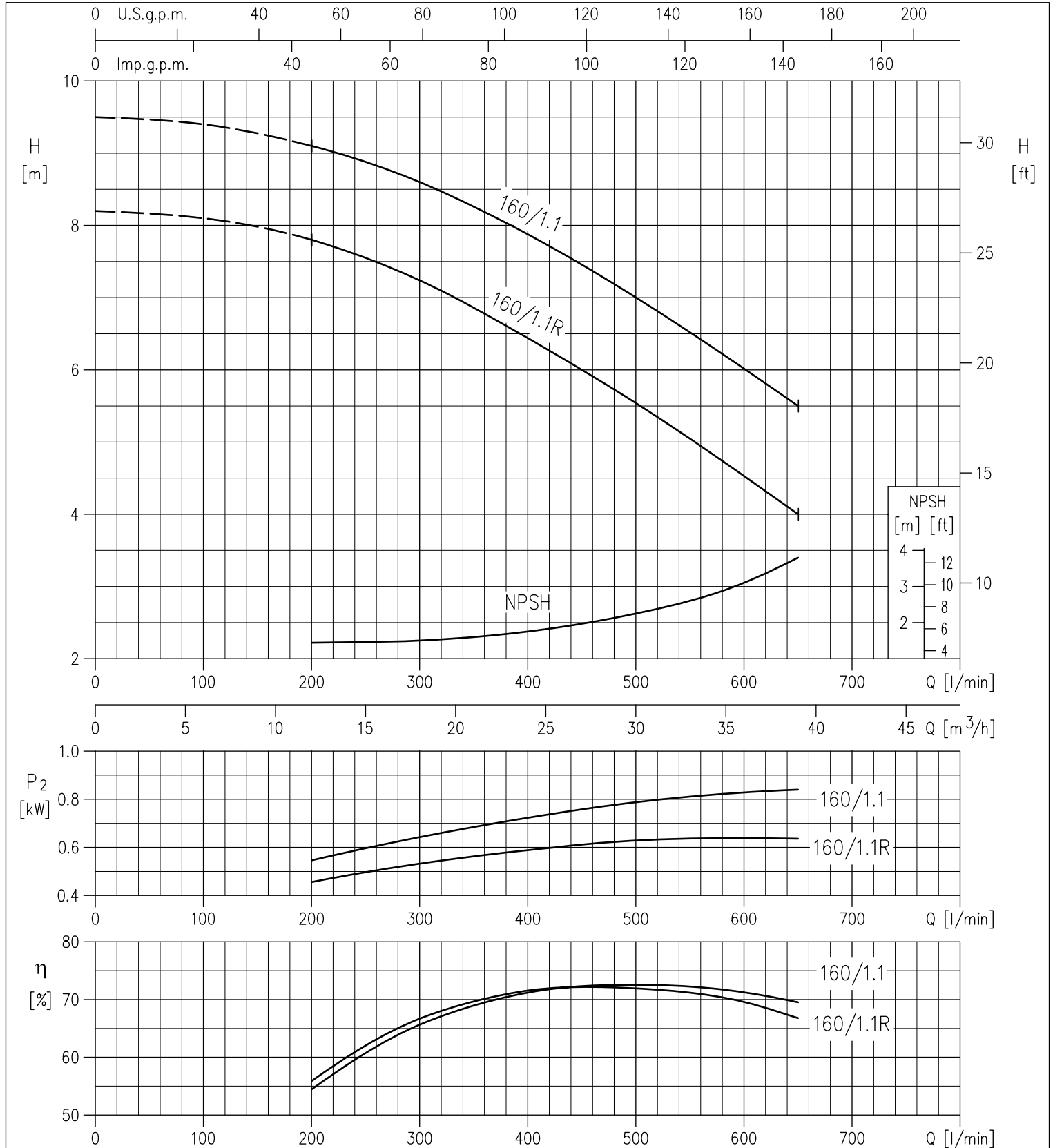


3D SERIES

NORMALISED AND MONOBLOCK CENTRIFUGAL ELECTROPUMPS CONFORMING TO EN 733 (EX DIN 24255)

PERFORMANCE CURVES 3D(,)4 50-160 SERIES at 1400 min⁻¹ (according to ISO 9906 Attachment A)

4 Poles



The content of this publication should not be considered mandatory. EBARA Pumps Europe S.p.A. reserves the right to change the content without prior notice.

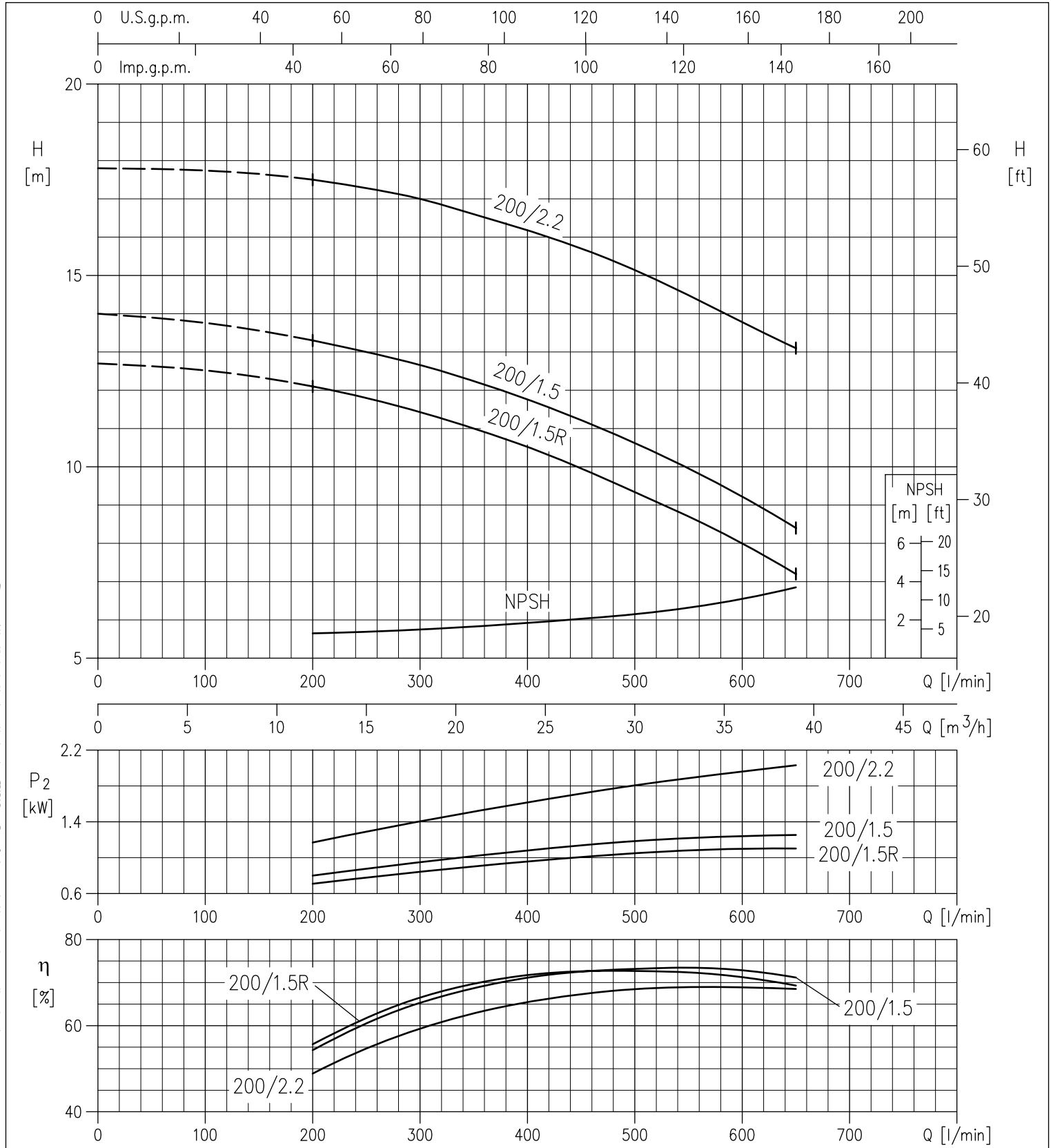


3D SERIES

NORMALISED AND MONOBLOCK CENTRIFUGAL ELECTROPUMPS CONFORMING TO EN 733 (EX DIN 24255)

PERFORMANCE CURVES 3D(,)4 50-200 SERIES at 1400 min⁻¹ (according to ISO 9906 Attachment A)

4 Poles



The content of this publication should not be considered mandatory. EBARA Pumps Europe S.p.A. reserves the right to change the content without prior notice.

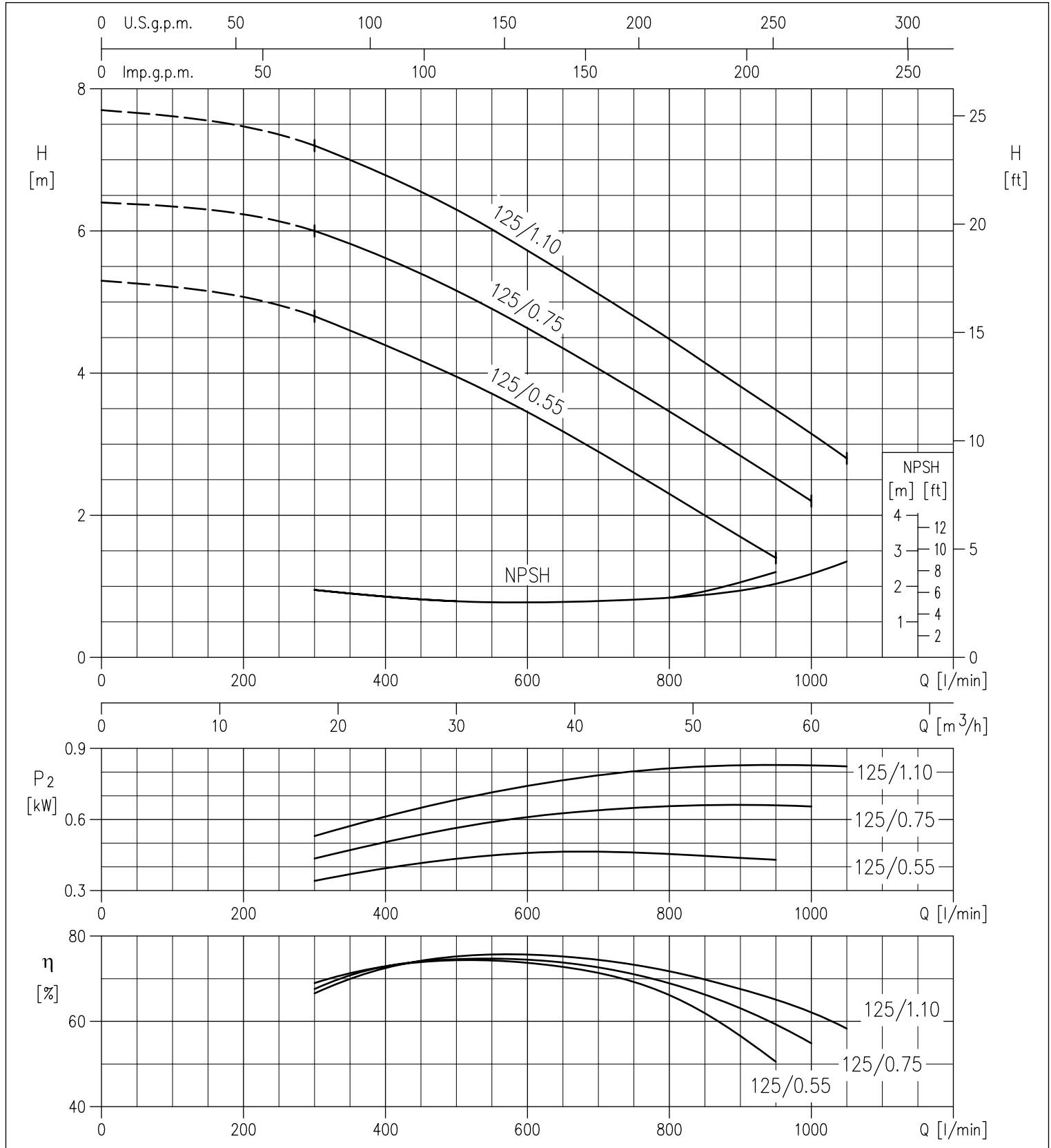


3D SERIES

NORMALISED AND MONOBLOCK CENTRIFUGAL ELECTROPUMPS CONFORMING TO EN 733 (EX DIN 24255)

PERFORMANCE CURVES 3D(,)4 65-125 SERIES at 1400 min⁻¹ (according to ISO 9906 Attachment A)

4 Poles



The content of this publication should not be considered mandatory. EBARA Pumps Europe S.p.A. reserves the right to change the content without prior notice.

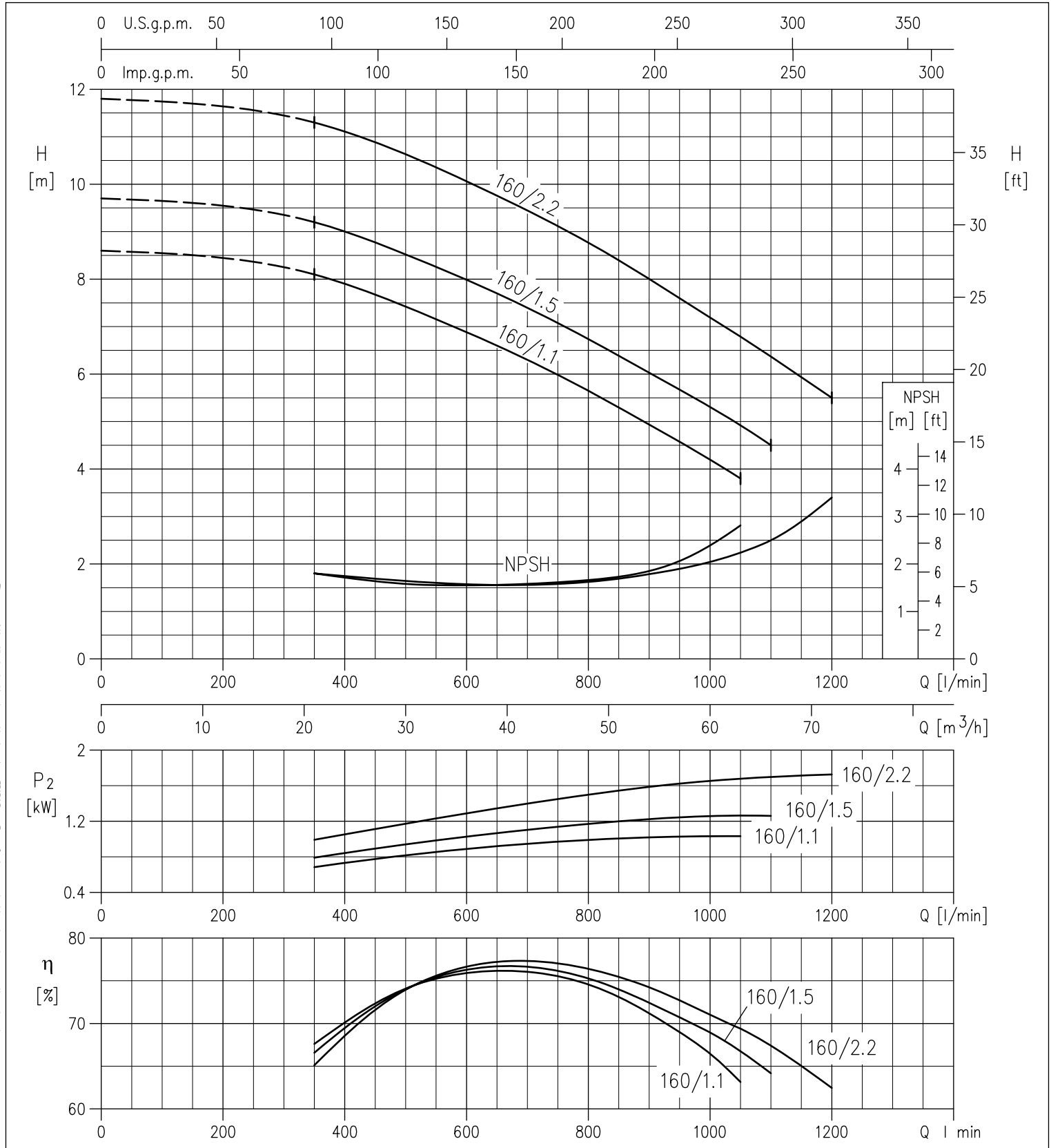


3D SERIES

NORMALISED AND MONOBLOCK CENTRIFUGAL ELECTROPUMPS CONFORMING TO EN 733 (EX DIN 24255)

PERFORMANCE CURVES 3D(,)4 65-160 SERIES at 1400 min⁻¹ (according to ISO 9906 Attachment A)

4 Poles



The content of this publication should not be considered mandatory. EBARA Pumps Europe S.p.A. reserves the right to change the content without prior notice.

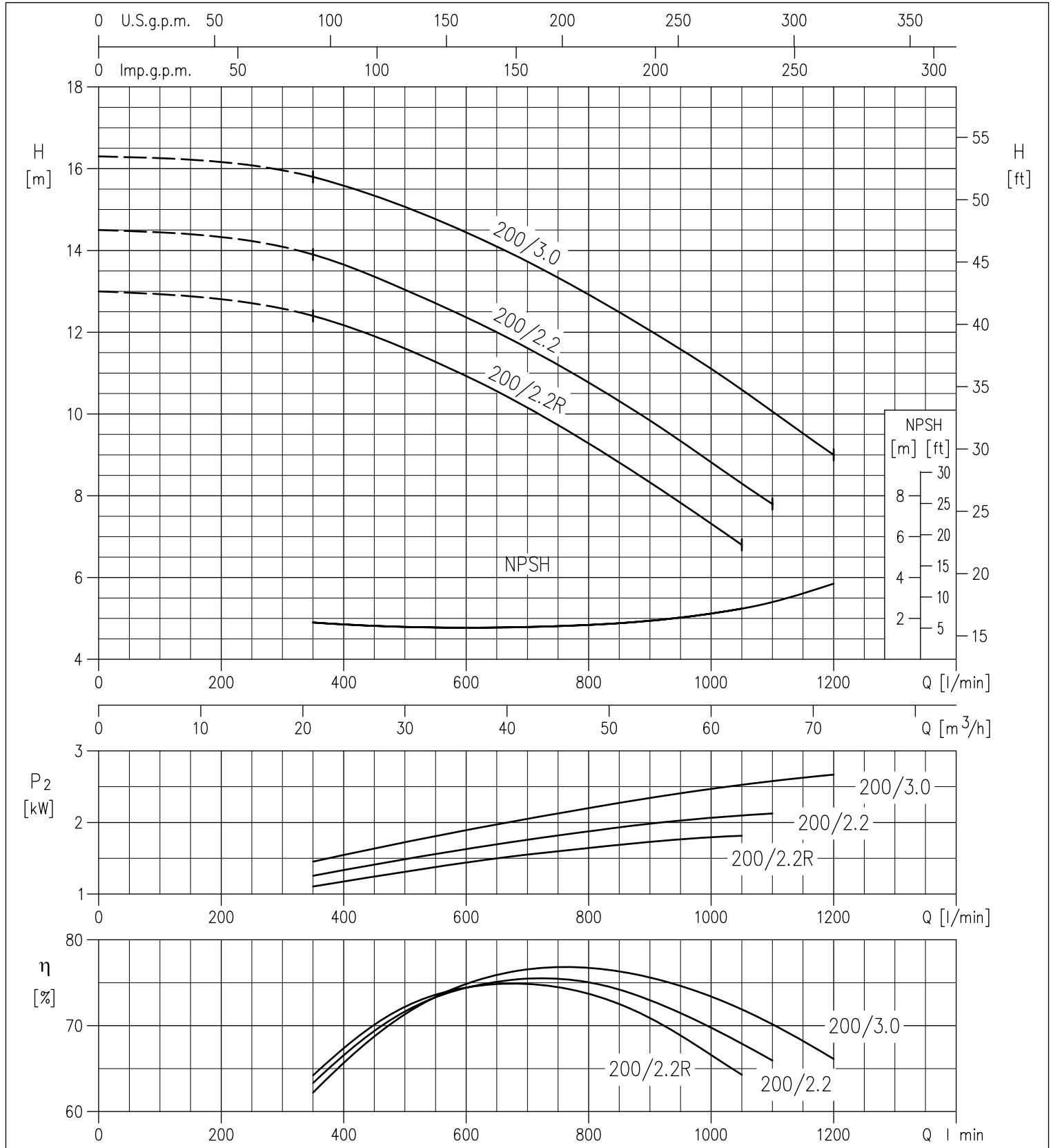


3D SERIES

NORMALISED AND MONOBLOCK CENTRIFUGAL ELECTROPUMPS CONFORMING TO EN 733 (EX DIN 24255)

PERFORMANCE CURVES 3D(,)4 65-200 SERIES at 1400 min⁻¹ (according to ISO 9906 Attachment A)

4 Poles



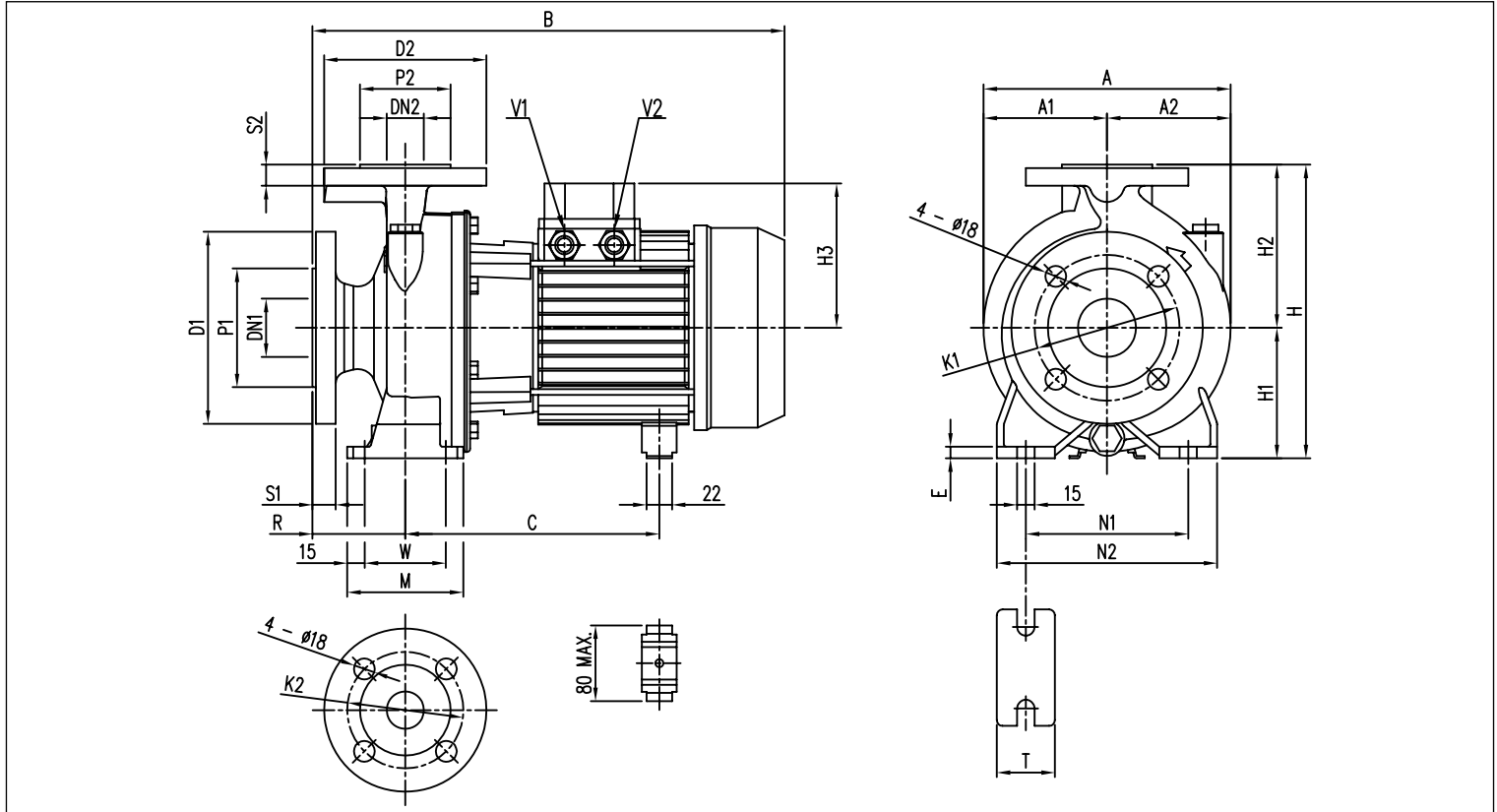
The content of this publication should not be considered mandatory. EBARA Pumps Europe S.p.A. reserves the right to change the content without prior notice.

3D SERIES

**NORMALISED AND MONOBLOCK CENTRIFUGAL ELECTROPUMPS
CONFORMING TO EN 733 (EX DIN 24255)**

3D4 SERIES

4 Poles



DIMENSIONAL TABLE

Model	Dimensions [mm]																							Weight [kg]				
	DN1 Ø	P1 Ø	K1 Ø	D1 Ø	S1 Ø	DN2 Ø	P2 Ø	K2 Ø	D2 Ø	S2	H	H1	H2	H3	R	W	M	N1	N2	T	E	A	A1		A2	B	C	V2
3D4 32-125/0.25	50	102	125	165	20	32	78	100	140	18	252	112	140	102	80	70	100	140	190	50	10	213	106.5	106.5	371	205	PG 11	23.9
3D4 32-160/0.37R	50	102	125	165	20	32	78	100	140	18	292	132	160	119	80	70	100	190	240	50	10	254	127	127	393	219	PG 11	31.1
3D4 32-160/0.37	50	102	125	165	20	32	78	100	140	18	292	132	160	119	80	70	100	190	240	50	10	254	127	127	393	219	PG 11	31.3
3D4 32-200/0.55R	50	102	125	165	20	32	78	100	140	18	340	160	180	119	80	70	100	190	240	50	10	296	148	148	393	219	PG 11	35.9
3D4 32-200/0.55	50	102	125	165	20	32	78	100	140	18	340	160	180	119	80	70	100	190	240	50	10	296	148	148	393	219	PG 11	35.9
3D4 32-200/0.75	50	102	125	165	20	32	78	100	140	18	340	160	180	124	80	70	100	190	240	50	10	296	148	148	432	244÷255	PG 13.5	39.5
3D4 40-125/0.37R	65	122	145	185	20	40	88	110	150	18	252	112	140	102	80	70	100	160	210	50	10	213	108	112	371	205	PG 11	24.7
3D4 40-125/0.37	65	122	145	185	20	40	88	110	150	18	252	112	140	102	80	70	100	160	210	50	10	213	108	112	371	205	PG 11	24.8
3D4 40-160/0.55R	65	122	145	185	20	40	88	110	150	18	292	132	160	119	80	70	100	190	240	50	12	254	127	127	393	219	PG 11	32.3
3D4 40-160/0.55	65	122	145	185	20	40	88	110	150	18	292	132	160	119	80	70	100	190	240	50	12	254	127	127	393	219	PG 11	32.7
3D4 40-200/1.1R	65	122	145	185	20	40	88	110	150	18	340	160	180	124	100	70	100	212	265	50	12	296	148	148	452	244÷255	PG 13.5	41.2
3D4 40-200/1.1	65	122	145	185	20	40	88	110	150	18	340	160	180	124	100	70	100	212	265	50	12	296	148	148	452	244÷255	PG 13.5	41.3
3D4 40-200/1.5	65	122	145	185	20	40	88	110	150	18	340	160	180	124	100	70	100	212	265	50	12	296	148	148	491	244÷255	PG 13.5	43.0
3D4 50-125/0.55R	65	122	145	185	20	50	102	125	165	20	292	132	160	119	100	70	100	190	240	50	10	254	127	127	413	219	PG 11	32.7
3D4 50-125/0.55	65	122	145	185	20	50	102	125	165	20	292	132	160	119	100	70	100	190	240	50	10	254	127	127	413	219	PG 11	32.8
3D4 50-160/1.1R	65	122	145	185	20	50	102	125	165	20	340	160	180	124	100	70	100	212	265	50	10	296	148	148	452	244÷255	PG 13.5	42.2
3D4 50-160/1.1	65	122	145	185	20	50	102	125	165	20	340	160	180	124	100	70	100	212	265	50	10	296	148	148	452	244÷255	PG 13.5	42.3
3D4 50-200/1.5R	65	122	145	185	20	50	102	125	165	20	360	160	200	124	100	70	100	212	265	50	10	296	148	148	491	244÷255	PG 13.5	43.4
3D4 50-200/1.5	65	122	145	185	20	50	102	125	165	20	360	160	200	124	100	70	100	212	265	50	10	296	148	148	491	244÷255	PG 13.5	44.5
3D4 50-200/2.2	65	122	145	185	20	50	102	125	165	20	360	160	200	141	100	70	100	212	265	50	10	296	148	148	474	253	PG 16	42.9
3D4 65-125/0.55	80	138	160	200	22	65	122	145	185	20	340	160	180	119	100	95	125	212	280	65	12	263	127	136	413	219	PG 11	37.2
3D4 65-125/0.75	80	138	160	200	22	65	122	145	185	20	340	160	180	124	100	95	125	212	280	65	12	263	127	136	452	244÷255	PG 13.5	35.3
3D4 65-125/1.1	80	138	160	200	22	65	122	145	185	20	340	160	180	124	100	95	125	212	280	65	12	263	127	136	452	244÷255	PG 13.5	35.3
3D4 65-160/1.1	80	138	160	200	22	65	122	145	185	20	360	160	200	124	100	95	125	212	280	65	12	296	148	148	452	244÷255	PG 13.5	44.6
3D4 65-160/1.5	80	138	160	200	22	65	122	145	185	20	360	160	200	124	100	95	125	212	280	65	12	296	148	148	491	244÷255	PG 13.5	46.1
3D4 65-160/2.2	80	138	160	200	22	65	122	145	185	20	360	160	200	141	100	95	125	212	280	65	12	296	148	148	474	253	PG 16	48.1
3D4 65-200/2.2R	80	138	160	200	22	65	122	145	185	20	405	180	225	141	100	95	125	250	320	65	12	312	154.5	157.5	474	253	PG 16	46.5
3D4 65-200/2.2	80	138	160	200	22	65	122	145	185	20	405	180	225	141	100	95	125	250	320	65	12	312	154.5	157.5	474	253	PG 16	46.5
3D4 65-200/3	80	138	160	200	22	65	122	145	185	20	405	180	225	141	100	95	125	250	320	65	12	312	154.5	157.5	514	253	PG 16	54.5

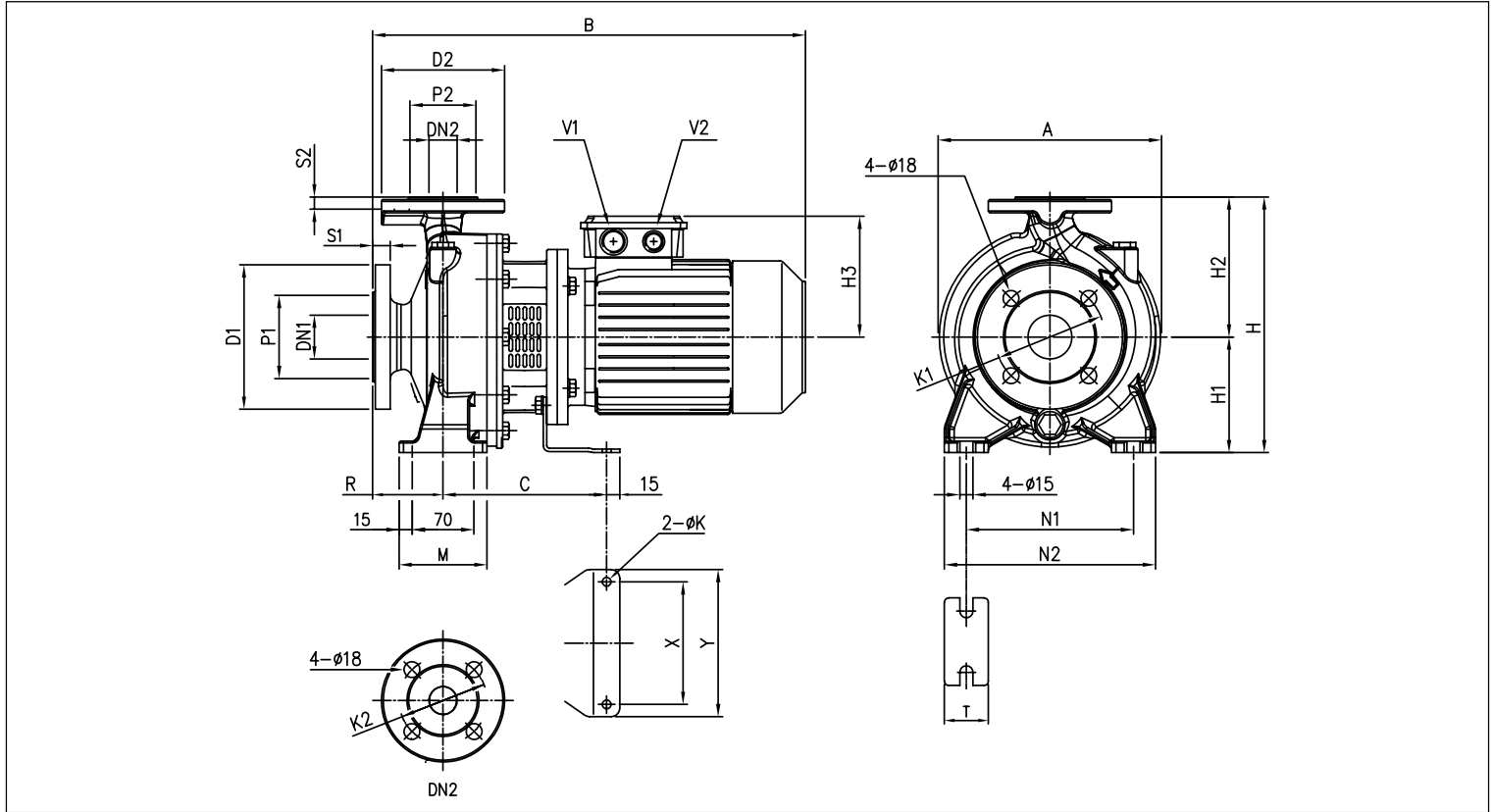
The content of this publication should not be considered mandatory. EBARA Pumps Europe S.p.A. reserves the right to change the content without prior notice.

3D SERIES

NORMALISED AND MONOBLOCK CENTRIFUGAL ELECTROPUMPS CONFORMING TO EN 733 (EX DIN 24255)

3DS4 32, 40, 50, 65 SERIES

4 Poles



DIMENSIONAL TABLE

Modello	Dimensioni [mm]																				V2	V2	Peso [kg]						
	DN1 Ø	P1	K1	D1	S1	DN2 Ø	P2 Ø	K2 Ø	D2 Ø	S2	H	H1	H2	H3	R	W	M	N1	N2	T				A	B	C	X	Y	K
3DS4 32-125/0.25	50	102	125	165	20	32	78	100	140	18	252	112	140	114	80	70	100	140	190	50	213	404	153	112	140	8	M20x1.5	M16x1.5	24.3
3DS4 32-160/0.37R	50	102	125	165	20	32	78	100	140	18	292	132	160	114	80	70	100	190	240	50	254	404	153	112	140	8	M20x1.5	M16x1.5	29.9
3DS4 32-160/0.37	50	102	125	165	20	32	78	100	140	18	292	132	160	114	80	70	100	190	240	50	254	404	153	112	140	8	M20x1.5	M16x1.5	30.1
3DS4 32-200/0.55R	50	102	125	165	20	32	78	100	140	18	340	160	180	139	80	70	100	190	240	50	296	430	174	140	168	10	M25x1.5	M20x1.5	39.4
3DS4 32-200/0.55	50	102	125	165	20	32	78	100	140	18	340	160	180	139	80	70	100	190	240	50	296	430	174	140	168	10	M25x1.5	M20x1.5	44.4
3DS4 32-200/0.75	50	102	125	165	20	32	78	100	140	18	340	160	180	139	80	70	100	190	240	50	296	430	174	140	168	10	M25x1.5	M20x1.5	40.9
3DS4 40-125/0.37R	65	122	145	185	20	40	88	110	150	18	252	112	140	114	80	70	100	160	210	50	220	404	153	112	140	8	M20x1.5	M16x1.5	25.3
3DS4 40-125/0.37	65	122	145	185	20	40	88	110	150	18	252	112	140	114	80	70	100	160	210	50	220	404	153	112	140	8	M20x1.5	M16x1.5	25.3
3DS4 40-160/0.55R	65	122	145	185	20	40	88	110	150	18	292	132	160	139	80	70	100	190	240	50	254	430	174	140	168	10	M25x1.5	M20x1.5	35.6
3DS4 40-160/0.55	65	122	145	185	20	40	88	110	150	18	292	132	160	139	80	70	100	190	240	50	254	430	174	140	168	10	M25x1.5	M20x1.5	35.6
3DS4 40-200/1.1R	65	122	145	185	20	40	88	110	150	18	340	160	180	148	100	70	100	212	265	50	296	497	186	140	168	10	M25x1.5	M20x1.5	49.2
3DS4 40-200/1.1	65	122	145	185	20	40	88	110	150	18	340	160	180	148	100	70	100	212	265	50	296	497	186	140	168	10	M25x1.5	M20x1.5	49.2
3DS4 40-200/1.5	65	122	145	185	20	40	88	110	150	18	340	160	180	148	100	70	100	212	265	50	296	497	186	140	168	10	M25x1.5	M20x1.5	50.8
3DS4 50-125/0.55R	65	122	145	185	20	50	102	125	165	20	292	132	160	139	100	70	100	190	240	50	254	450	174	140	168	10	M25x1.5	M20x1.5	36
3DS4 50-125/0.55	65	122	145	185	20	50	102	125	165	20	292	132	160	139	100	70	100	190	240	50	254	450	174	140	168	10	M25x1.5	M20x1.5	36
3DS4 50-160/1.1R	65	122	145	185	20	50	102	125	165	20	340	160	180	148	100	70	100	212	265	50	296	497	186	140	168	10	M25x1.5	M20x1.5	49.8
3DS4 50-160/1.1	65	122	145	185	20	50	102	125	165	20	340	160	180	148	100	70	100	212	265	50	296	497	186	140	168	10	M25x1.5	M20x1.5	49.8
3DS4 50-200/1.5R	65	122	145	185	20	50	102	125	165	20	360	160	200	148	100	70	100	212	265	50	296	497	186	140	168	10	M25x1.5	M20x1.5	52.6
3DS4 50-200/1.5	65	122	145	185	20	50	102	125	165	20	360	160	200	148	100	70	100	212	265	50	296	497	186	140	168	10	M25x1.5	M20x1.5	52.6
3DS4 65-125/0.55	80	138	160	200	22	65	122	145	185	20	340	160	180	139	100	95	125	212	280	65	263	450	174	140	168	10	M25x1.5	M20x1.5	36.8
3DS4 65-125/0.75	80	138	160	200	22	65	122	145	185	20	340	160	180	139	100	95	125	212	280	65	263	450	174	140	168	10	M25x1.5	M20x1.5	45.3
3DS4 65-125/1.1	80	138	160	200	22	65	122	145	185	20	340	160	180	148	100	95	125	212	280	65	263	497	186	140	168	10	M25x1.5	M20x1.5	47.5
3DS4 65-160/1.1	80	138	160	200	22	65	122	145	185	20	360	160	200	148	100	95	125	212	280	65	296	497	186	140	168	10	M25x1.5	M20x1.5	49.3
3DS4 65-160/1.5	80	138	160	200	22	65	122	145	185	20	360	160	200	148	100	95	125	212	280	65	296	497	186	140	168	10	M25x1.5	M20x1.5	61.7

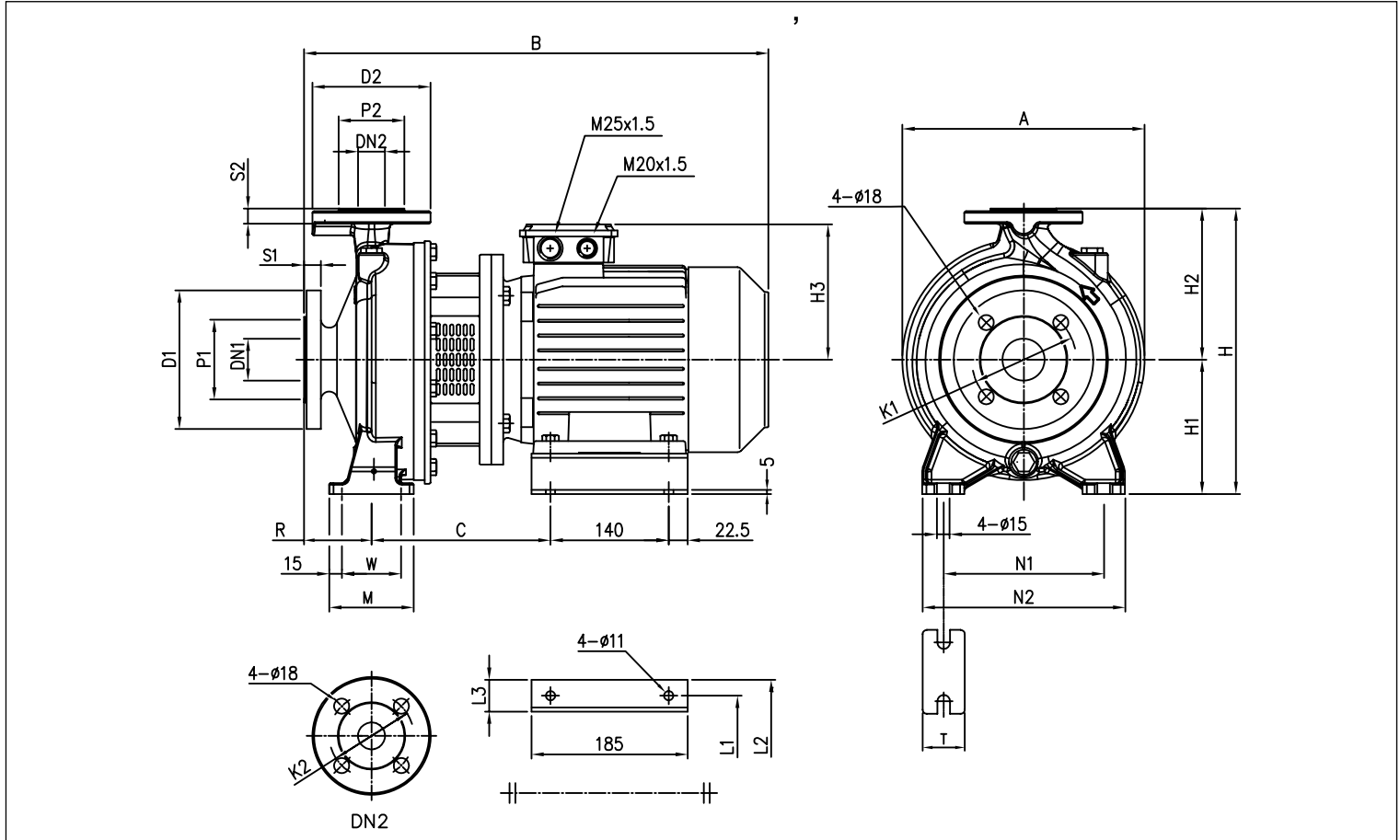
The content of this publication should not be considered mandatory. EBARA Pumps Europe S.p.A. reserves the right to change the content without prior notice.

3D SERIES

NORMALISED AND MONOBLOCK CENTRIFUGAL ELECTROPUMPS
CONFORMING TO EN 733 (EX DIN 24255)

3DS4 50, 60 SERIES

4 Poles



DIMENSIONAL TABLE

Modello	Dimensioni [mm]																				Peso [kg]
	DN1 Ø	P1 Ø	K1 Ø	D1 Ø	S1	DN2 Ø	P2 Ø	K2 Ø	D2 Ø	S2	H	H1	H2	R	W	M	A	N1	N2	T	
3DS4 50-200/2.20	65	122	145	185	20	50	102	125	165	20	360	160	200	100	70	100	296	212	265	50	56.3
3DS4 65-160/2.20	80	138	160	200	22	65	122	145	185	20	360	160	200	100	95	125	296	212	280	65	62.5
3DS4 65-200/2.20R	80	138	160	200	22	65	122	145	185	20	405	180	225	100	95	125	312	250	320	65	59.4
3DS4 65-200/2.20	80	138	160	200	22	65	122	145	185	20	405	180	225	100	95	125	312	250	320	65	59.9
3DS4 65-200/3.00	80	138	160	200	22	65	122	145	185	20	405	180	225	100	95	125	312	250	320	65	65

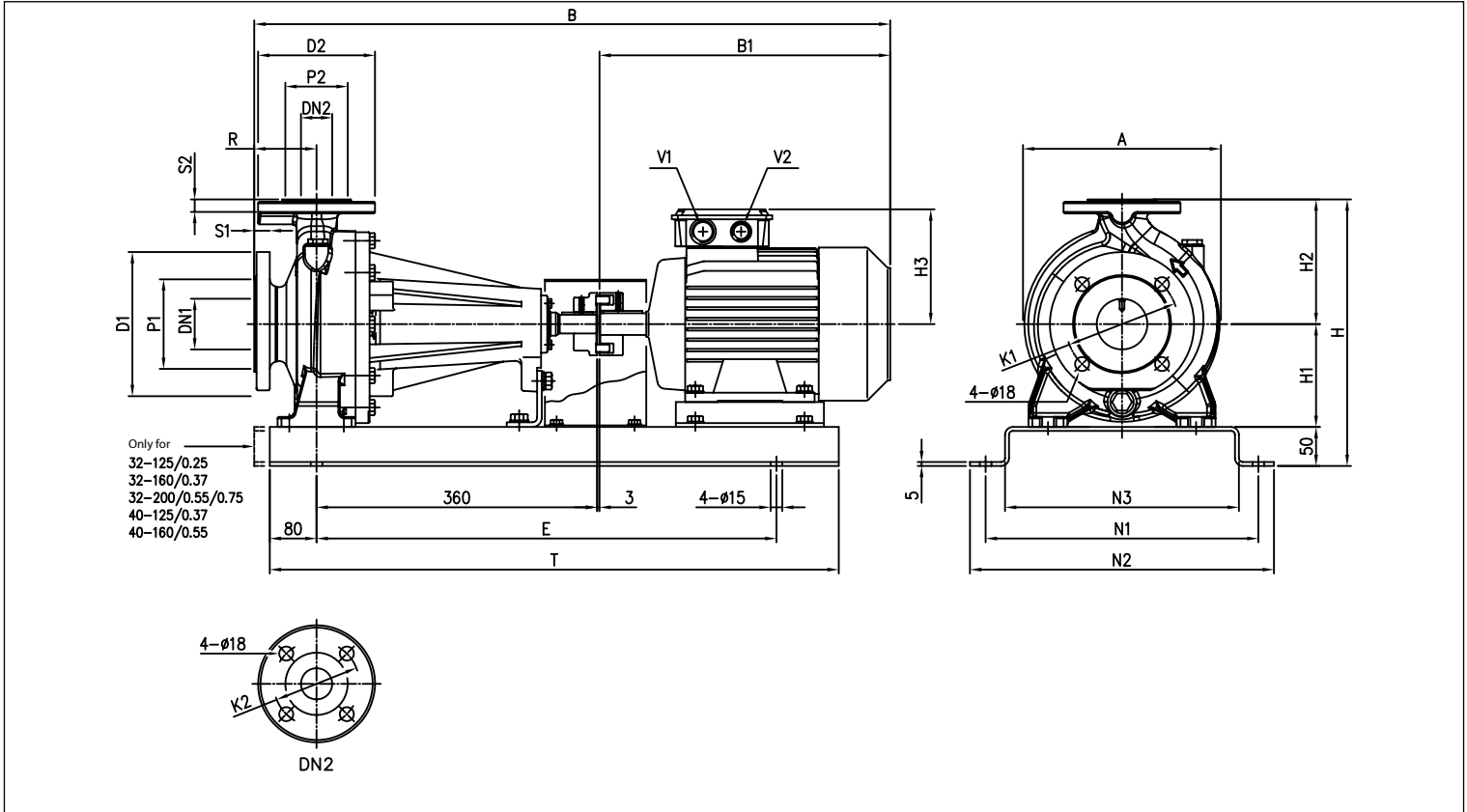
The content of this publication should not be considered mandatory. EBARA Pumps Europe S.p.A. reserves the right to change the content without prior notice.

3D SERIES

NORMALISED AND MONOBLOCK CENTRIFUGAL ELECTROPUMPS CONFORMING TO EN 733 (EX DIN 24255)

3DP4 32, 65 SERIES

4 Poles



DIMENSIONAL TABLE

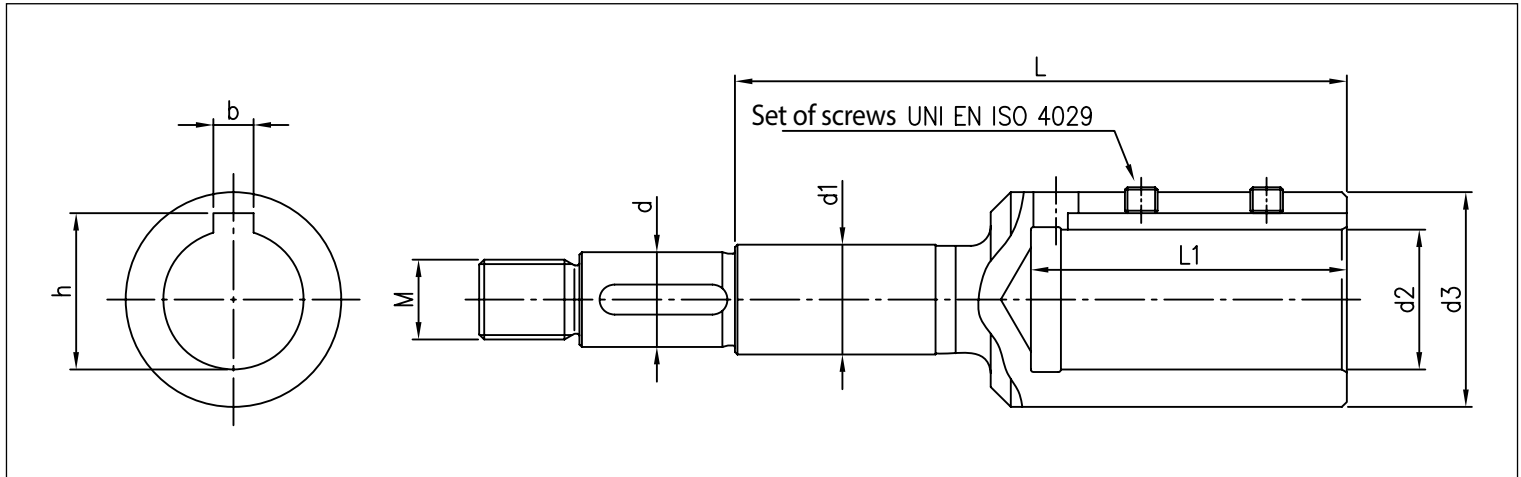
Modello	Dimensioni [mm]																				V2	Peso [kg]				
	DN1 Ø	P1 Ø	K1 Ø	D1 Ø	S1	DN2 Ø	P2 Ø	K2 Ø	D2 Ø	S2	H	H1	H2	H3	R	A	B	B1	E	N1			N2	N3	T	
3DP4 32-125/0.25	50	102	125	165	20	32	78	100	140	18	302	112	140	114	80	213	689	246	550	300	340	250	710	M20X1.5	M16X1.5	45.9
3DP4 32-160/0.37R	50	102	125	165	20	32	78	100	140	18	342	132	160	114	80	254	689	246	510	350	390	300	670	M20X1.5	M16X1.5	52.4
3DP4 32-160/0.37	50	102	125	165	20	32	78	100	140	18	342	132	160	114	80	254	689	246	510	350	390	300	670	M20X1.5	M16X1.5	52.4
3DP4 32-200/0.55R	50	102	125	165	20	32	78	100	140	18	390	160	180	139	80	296	715	272	510	350	390	300	670	M25X1.5	M20X1.5	64.9
3DP4 32-200/0.55	50	102	125	165	20	32	78	100	140	18	390	160	180	139	80	296	715	272	510	350	390	300	670	M25X1.5	M20X1.5	64.9
3DP4 32-200/0.75	50	102	125	165	20	32	78	100	140	18	390	160	180	139	80	296	715	272	510	350	390	300	670	M25X1.5	M20X1.5	65.9
3DP4 40-125/0.37R	65	122	145	185	20	40	88	110	150	18	302	112	140	114	80	220	689	246	550	300	340	250	710	M20X1.5	M16X1.5	55.6
3DP4 40-125/0.37	65	122	145	185	20	40	88	110	150	18	302	112	140	114	80	220	689	246	550	300	340	250	710	M20X1.5	M16X1.5	55.6
3DP4 40-160/0.55R	65	122	145	185	20	40	88	110	150	18	342	132	160	139	80	254	715	272	510	350	390	300	670	M25X1.5	M20X1.5	56.6
3DP4 40-160/0.55	65	122	145	185	20	40	88	110	150	18	342	132	160	139	80	254	715	272	510	350	390	300	670	M25X1.5	M20X1.5	56.6
3DP4 40-200/1.1R	65	122	145	185	20	40	88	110	150	18	390	160	180	148	100	296	780	317	590	350	390	300	750	M25X1.5	M20X1.5	76.4
3DP4 40-200/1.1	65	122	145	185	20	40	88	110	150	18	390	160	180	148	100	296	780	317	590	350	390	300	750	M25X1.5	M20X1.5	76.4
3DP4 40-200/1.5	65	122	145	185	20	40	88	110	150	18	390	160	180	148	100	296	780	317	590	350	390	300	750	M25X1.5	M20X1.5	79.3
3DP4 50-125/0.55R	65	122	145	185	20	50	102	125	165	20	342	132	160	139	100	254	735	272	510	350	390	300	670	M25X1.5	M20X1.5	57.3
3DP4 50-125/0.55	65	122	145	185	20	50	102	125	165	20	342	132	160	139	100	254	735	272	510	350	390	300	670	M25X1.5	M20X1.5	57.3
3DP4 50-160/1.1R	65	122	145	185	20	50	102	125	165	20	390	160	180	148	100	296	780	317	590	350	390	300	750	M25X1.5	M20X1.5	68.3
3DP4 50-160/1.1	65	122	145	185	20	50	102	125	165	20	390	160	180	148	100	296	780	317	590	350	390	300	750	M25X1.5	M20X1.5	68.3
3DP4 50-200/1.5R	65	122	145	185	20	50	102	125	165	20	410	160	200	148	100	296	780	317	590	350	390	300	750	M25X1.5	M20X1.5	79.5
3DP4 50-200/1.5	65	122	145	185	20	50	102	125	165	20	410	160	200	148	100	296	780	317	590	350	390	300	750	M25X1.5	M20X1.5	79.5
3DP4 50-200/1.5	65	122	145	185	20	50	102	125	165	20	410	160	200	155	100	296	829	366	590	350	390	300	750	M25X1.5	M20X1.5	83.3
3DP4 65-125/0.55	80	138	160	200	22	65	122	145	185	20	390	160	180	139	100	263	735	272	510	350	390	300	670	M25X1.5	M20X1.5	63.8
3DP4 65-125/0.75	80	138	160	200	22	65	122	145	185	20	390	160	180	139	100	263	735	272	510	350	390	300	670	M25X1.5	M20X1.5	63.8
3DP4 65-125/1.1	80	138	160	200	22	65	122	145	185	20	390	160	180	148	100	263	780	317	590	350	390	300	750	M25X1.5	M20X1.5	73.5
3DP4 65-160/1.1	80	138	160	200	22	65	122	145	185	20	410	160	200	148	100	296	780	317	590	350	390	300	750	M25X1.5	M20X1.5	80.8
3DP4 65-160/1.5	80	138	160	200	22	65	122	145	185	20	410	160	200	148	100	296	780	317	590	350	390	300	750	M25X1.5	M20X1.5	82.2
3DP4 65-160/2.2	80	138	160	200	22	65	122	145	185	20	410	160	200	155	100	296	829	366	590	350	390	300	750	M25X1.5	M20X1.5	88
3DP4 65-200/2.2R	80	138	160	200	22	65	122	145	185	20	455	180	225	155	100	296	829	366	590	380	420	330	750	M25X1.5	M20X1.5	90.9
3DP4 65-200/2.2	80	138	160	200	22	65	122	145	185	20	455	180	225	155	100	296	829	366	590	380	420	330	750	M25X1.5	M20X1.5	90.9
3DP4 65-200/3	80	138	160	200	22	65	122	145	185	20	455	180	225	155	100	296	829	366	590	380	420	330	750	M25X1.5	M20X1.5	94

3D SERIES

NORMALISED AND MONOBLOCK CENTRIFUGAL ELECTROPUMPS CONFORMING TO EN 733 (EX DIN 24255)

Joint for 3DS4 SERIES

4 Poles



DIMENSIONAL TABLE

Model	[HP]	[kW]	Grand. Motor	Dimensions [mm]										Screws set
				d	d1	d2	d3	M	L	L1	b	h		
3DS4 32-125/0.25	0.33	0.25	71	19	22	14	28	M16x1.5	88	33	5	16.3	M5x6	
3DS4 32-160/0.37R	0.5	0.37	71	19	22	14	28	M16x1.5	88	33	5	16.3	M5x6	
3DS4 32-160/0.37	0.5	0.37	71	19	22	14	28	M16x1.5	88	33	5	16.3	M5x6	
3DS4 32-200/0.55R	0.75	0.55	80	19	22	19	33	M16x1.5	98	43	6	21.8	M6x6	
3DS4 32-200/0.55	0.75	0.55	80	19	22	19	33	M16x1.5	98	43	6	21.8	M6x6	
3DS4 32-200/0.75	1	0.75	80	19	22	19	33	M16x1.5	98	43	6	21.8	M6x6	
3DS4 40-125/0.37R	0.5	0.37	71	19	22	14	28	M16x1.5	88	33	5	16.3	M5x6	
3DS4 40-125/0.37	0.5	0.37	71	19	22	14	28	M16x1.5	88	33	5	16.3	M5x6	
3DS4 40-160/0.55R	0.75	0.55	80	19	22	19	33	M16x1.5	98	43	6	21.8	M6x6	
3DS4 40-160/0.55	0.75	0.55	80	19	22	19	33	M16x1.5	98	43	6	21.8	M6x6	
3DS4 40-200/1.1R	1.5	1.1	90	19	22	24	39	M16x1.5	110	53	8	27.3	M8x8	
3DS4 40-200/1.1	1.5	1.1	90	19	22	24	39	M16x1.5	110	53	8	27.3	M8x8	
3DS4 40-200/1.5	2	1.5	90	19	22	24	39	M16x1.5	110	53	8	27.3	M8x8	
3DS4 50-125/0.55R	0.75	0.55	80	19	22	19	33	M16x1.5	98	43	6	21.8	M6x6	
3DS4 50-125/0.55	0.75	0.55	80	19	22	19	33	M16x1.5	98	43	6	21.8	M6x6	
3DS4 50-160/1.1R	1.5	1.1	90	19	22	24	39	M16x1.5	110	53	8	27.3	M8x8	
3DS4 50-160/1.1	1.5	1.1	90	19	22	24	39	M16x1.5	110	53	8	27.3	M8x8	
3DS4 50-200/1.5R	2	1.5	90	19	22	24	39	M16x1.5	110	53	8	27.3	M8x8	
3DS4 50-200/1.5	2	1.5	90	19	22	24	39	M16x1.5	110	53	8	27.3	M8x8	
3DS4 50-200/2.2	3	2.2	100	22	22	28	43	M18x1.5	153	63	8	31.3	M8x8	
3DS4 65-125/0.55	0.75	0.55	80	19	22	19	33	M16x1.5	98	43	6	21.8	M6x6	
3DS4 65-125/0.75	1	0.75	80	19	22	19	33	M16x1.5	98	43	6	21.8	M6x6	
3DS4 65-125/1.1	1.5	1.1	90	19	22	24	39	M16x1.5	110	53	8	27.3	M8x8	
3DS4 65-160/1.1	1.5	1.1	90	19	22	24	39	M16x1.5	110	53	8	27.3	M8x8	
3DS4 65-160/1.5	2	1.5	90	19	22	24	39	M16x1.5	110	53	8	27.3	M8x8	
3DS4 65-160/2.2	3	2.2	100	19	22	28	43	M16x1.5	122	63	8	31.3	M8x8	
3DS4 65-200/2.2R	3	2.2	100	19	22	28	43	M16x1.5	122	63	8	31.3	M8x8	
3DS4 65-200/2.2	3	2.2	100	19	22	28	43	M16x1.5	122	63	8	31.3	M8x8	
3DS4 65-200/3	4	3	100	19	22	28	43	M16x1.5	122	63	8	31.3	M8x8	

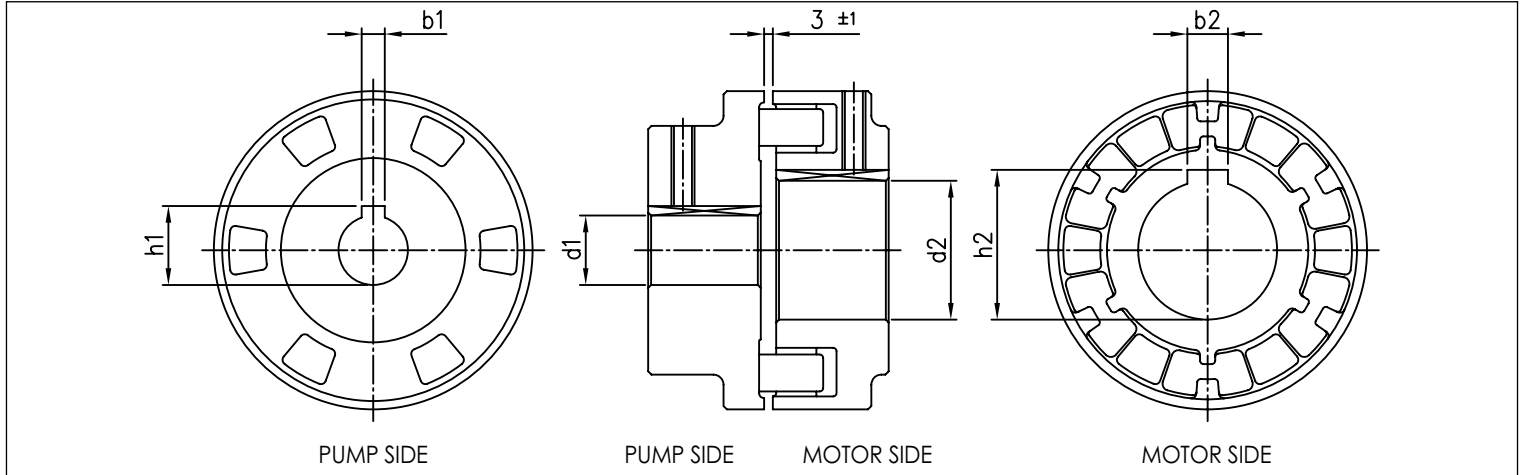
The content of this publication should not be considered mandatory. EBARA Pumps Europe S.p.A. reserves the right to change the content without prior notice.

3D SERIES

NORMALISED AND MONOBLOCK CENTRIFUGAL ELECTROPUMPS CONFORMING TO EN 733 (EX DIN 24255)

Joint for 3DP4 SERIES

4 Poles



DIMENSIONAL TABLE

Model	[HP]	[kW]	Grand. Motor	Dimensions [mm]					
				d1	b1	h1	d2	b2	h2
3DP4 32-125/0.25	0.33	0.25	71	24	8	27.3	14	5	16.3
3DP4 32-160/0.37R	0.50	0.37	71	24	8	27.3	14	5	16.3
3DP4 32-160/0.37	0.50	0.37	71	24	8	27.3	14	5	16.3
3DP4 32-200/0.55R	0.75	0.55	80	24	8	27.3	19	6	21.8
3DP4 32-200/0.55	0.75	0.55	80	24	8	27.3	19	6	21.8
3DP4 32-200/0.75	1.00	0.75	80	24	8	27.3	19	6	21.8
3DP4 40-125/0.37R	0.50	0.37	71	24	8	27.3	14	5	16.3
3DP4 40-125/0.37	0.50	0.37	71	24	8	27.3	14	5	16.3
3DP4 40-160/0.55R	0.75	0.55	80	24	8	27.3	19	6	21.8
3DP4 40-160/0.55	0.75	0.55	80	24	8	27.3	19	6	21.8
3DP4 40-200/1.10R	1.50	1.10	90	24	8	27.3	24	8	27.3
3DP4 40-200/1.10	1.50	1.10	90	24	8	27.3	24	8	27.3
3DP4 40-200/1.50	2.00	1.50	90	24	8	27.3	24	8	27.3
3DP4 50-125/0.55R	0.75	0.55	80	24	8	27.3	19	6	21.8
3DP4 50-125/0.55	0.75	0.55	80	24	8	27.3	19	6	21.8
3DP4 50-160/1.10R	1.50	1.10	90	24	8	27.3	24	8	27.3
3DP4 50-160/1.10	1.50	1.10	90	24	8	27.3	24	8	27.3
3DP4 50-200/1.50R	2.00	1.50	90	24	8	27.3	24	8	27.3
3DP4 50-200/1.50	2.00	1.50	90	24	8	27.3	24	8	27.3
3DP4 50-200/2.20	3.00	2.20	100	24	8	27.3	28	8	31.3
3DP4 65-125/0.55	0.75	0.55	80	24	8	27.3	19	6	21.8
3DP4 65-125/0.75	1.00	0.75	80	24	8	27.3	19	6	21.8
3DP4 65-125/1.10	1.50	1.10	90	24	8	27.3	24	8	27.3
3DP4 65-160/1.10	1.50	1.10	90	24	8	27.3	24	8	27.3
3DP4 65-160/1.50	2.00	1.50	90	24	8	27.3	24	8	27.3
3DP4 65-160/2.20	3.00	2.20	100	24	8	27.3	28	8	31.3
3DP4 65-200/2.20R	3.00	2.20	100	24	8	27.3	28	8	31.3
3DP4 65-200/2.20	3.00	2.20	100	24	8	27.3	28	8	31.3
3DP4 65-200/3.00	4.00	3.00	100	24	8	27.3	28	8	31.3

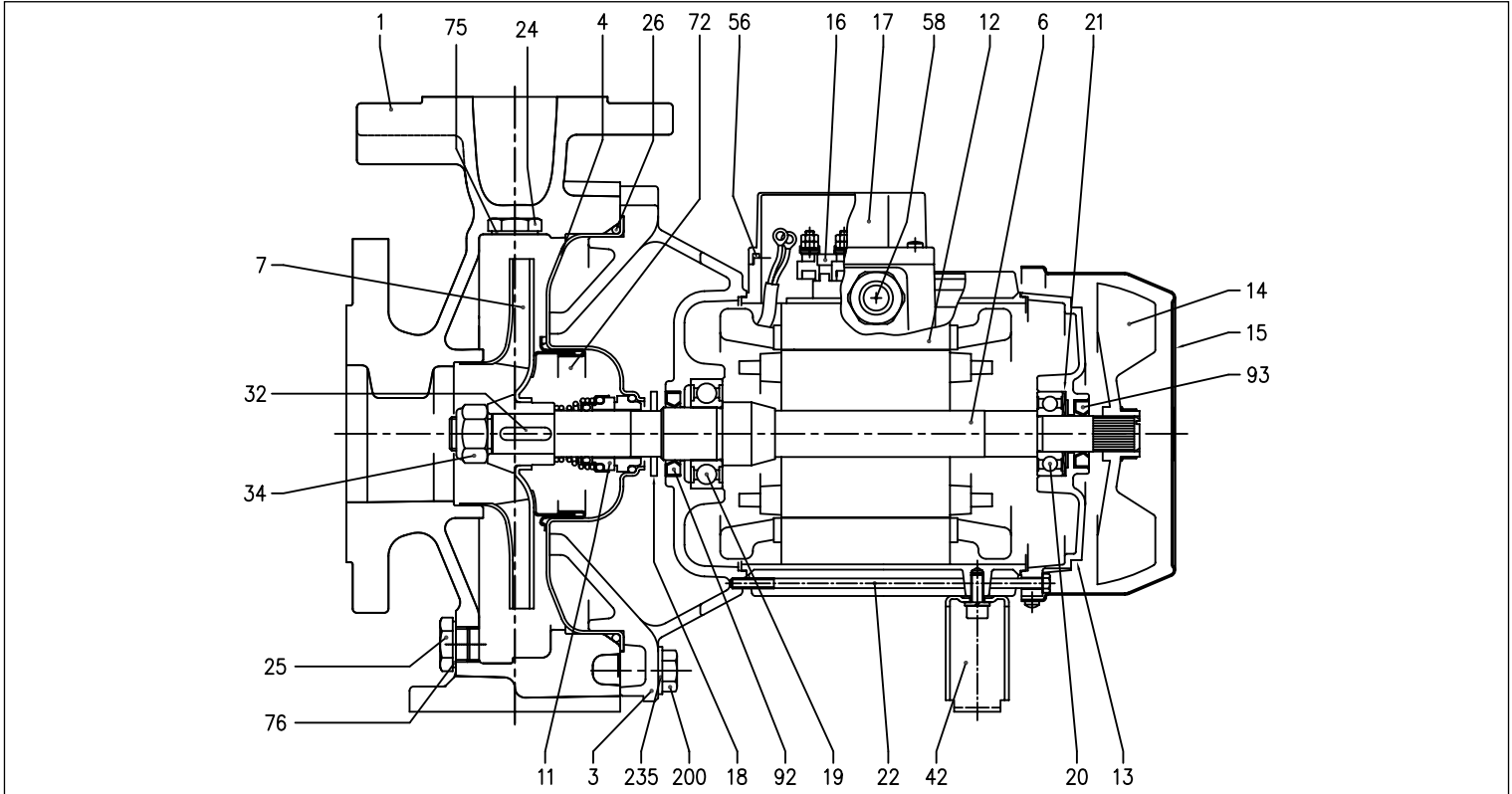
The content of this publication should not be considered mandatory. EBARA Pumps Europe S.p.A. reserves the right to change the content without prior notice.

3D SERIES

NORMALISED AND MONOBLOCK CENTRIFUGAL ELECTROPUMPS CONFORMING TO EN 733 (EX DIN 24255)

SECTIONAL VIEW 3D4 SERIES

4 Poles



MATERIALS TABLE

Ref.	Name	Materials	Ref.	Name	Materials
001	Pump casing	Cast iron EN-GJL-250-EN 1561[1]	022	Tie-rod	Galvanised Fe 42
003	Motor bracket	[1]	024	Plug	Brass
004	Casing cover	EN 1.4301 (AISI 304)	025	Plug	Brass
006	Shaft (part in contact with the liquid)	EN 1.4301 (AISI 304)	026	O-Ring	NBR [3]
007	Impeller	[2]	032	Key	EN 1.4401 (AISI 316)
011	Mechanical seal	Ceramic/Carbon/NBR	034	Impeller nut	EN 1.4301 (AISI 304)
012	Motor frame	-	042	Motor support	Aluminium / Galvanised steel
013	Motor cover	Aluminium	056	Terminal box gasket	NBR
014	Fan	PA	058	Cable gland	-
015	Fan cover	Galvanised Fe P04	072	Casing ring [4]	EN 1.4301 (AISI 304)
016	Terminal Box	-	075	Washer	Aluminium
017	Terminal Box cover	Aluminium (for three phase version only)	076	Washer	Aluminium
018	Splash washer	NBR	092	Seal ring	-
019	Bearing (pump side)	-	093	Seal ring	-
020	Bearing (motor side)	-	200	Screw	Galvanised steel 8.8 class ISO 898-1
021	Adjustment ring	Steel C70	235	Washer	Galvanised steel

[1]= Aluminium AL-EN-1706-AC-46000-D for 3D4 SERIES models 50-200/2.2, 65-125/0.75 and 1.1, 65-160/2.2, 65-200/2.2 and 3 kW; cast iron EN-GJL-200-EN 1561 for the other models

[2]= EN 1.4301 (AISI 304) for SERIES 3D4 32, 40, 50; EN 1.4401 (AISI 316) for SERIES 3D4 65

[3]= FKM for H, HS, HW, HSW versions; EPDM for E version

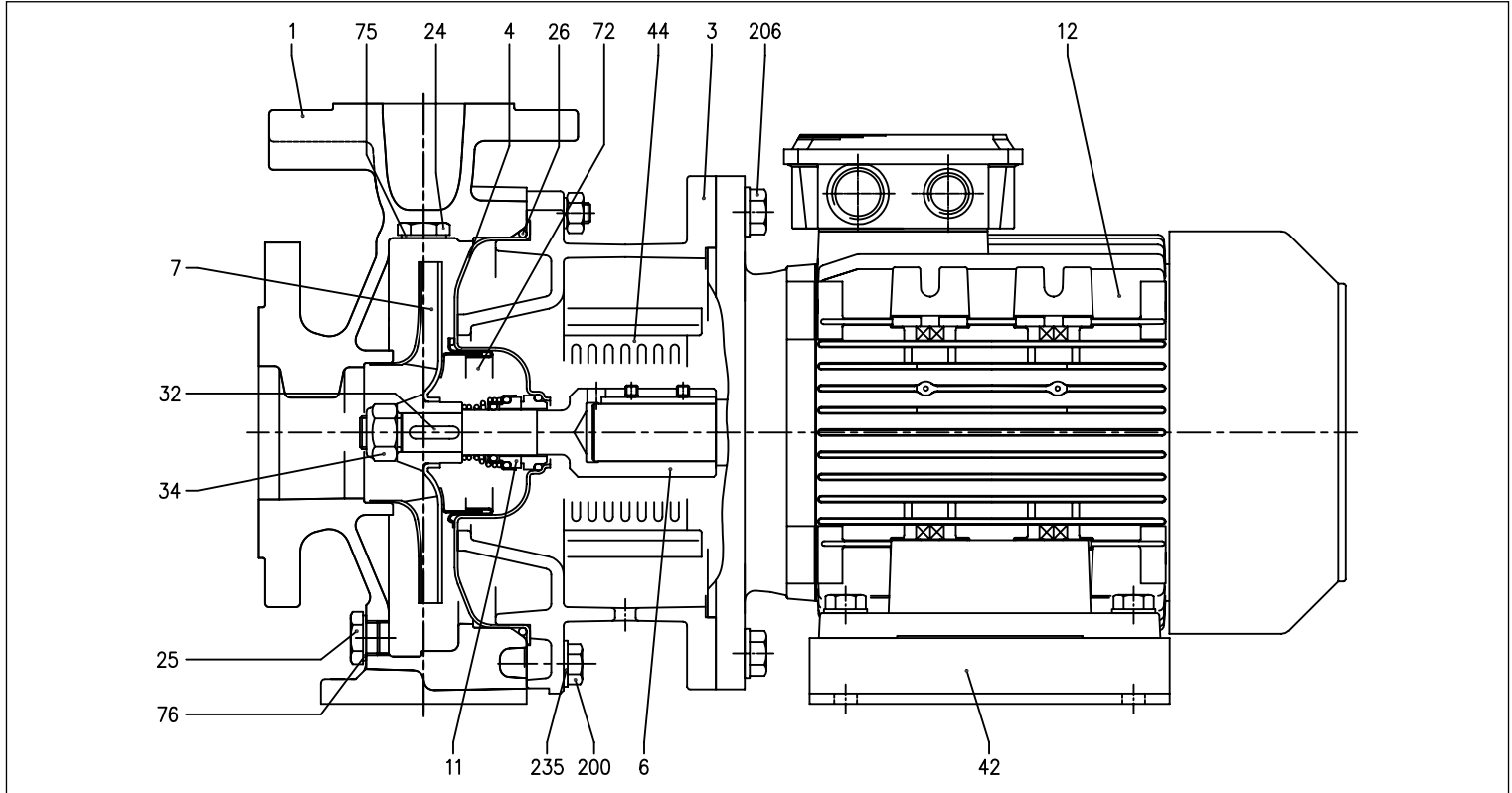
[4]= Only for SERIES 3D4 32-200, 40-200, 50-160, 50-200

3D SERIES

NORMALISED AND MONOBLOCK CENTRIFUGAL ELECTROPUMPS CONFORMING TO EN 733 (EX DIN 24255)

SECTIONAL VIEW 3DS4 SERIES

4 Poles



MATERIALS TABLE

Ref.	Name	Materials
001	Pump casing	Cast iron EN-GJL-250-EN 1561
003	Motor bracket	Cast iron EN-GJL-250-EN 1561
004	Casing cover	EN 1.4301 (AISI 304)
006	Joint (part in contact with the liquid)	EN 1.4301 (AISI 304)
007	Impeller	[1]
011	Mechanical seal	Ceramic/Carbon/NBR
012	Motor	-
024	Plug	Brass
025	Plug	Brass
026	O-Ring	NBR [2]
032	Key	EN 1.4401 (AISI 316)
034	Impeller nut	EN 1.4301 (AISI 304)
042	Motor support	Galvanised steel
044	Support protection	EN 1.4301 (AISI 304)
072	Casing ring [3]	EN 1.4301 (AISI 304)
075	Washer	Aluminium
076	Washer	Aluminium
200	Screw	Galvanised steel 8.8 class ISO 898-1
206	Screw (support)	Galvanised steel 8.8 class ISO 898-1
235	Washer	Galvanised steel

[1]= EN 1.4301 (AISI 304) for 3DS4 SERIES models 32, 40, 50; EN 1.4401 (AISI 316) for SERIES 3DS4 65

[2]= FKM for H, HS, HW, HSW versions; EPDM for E version

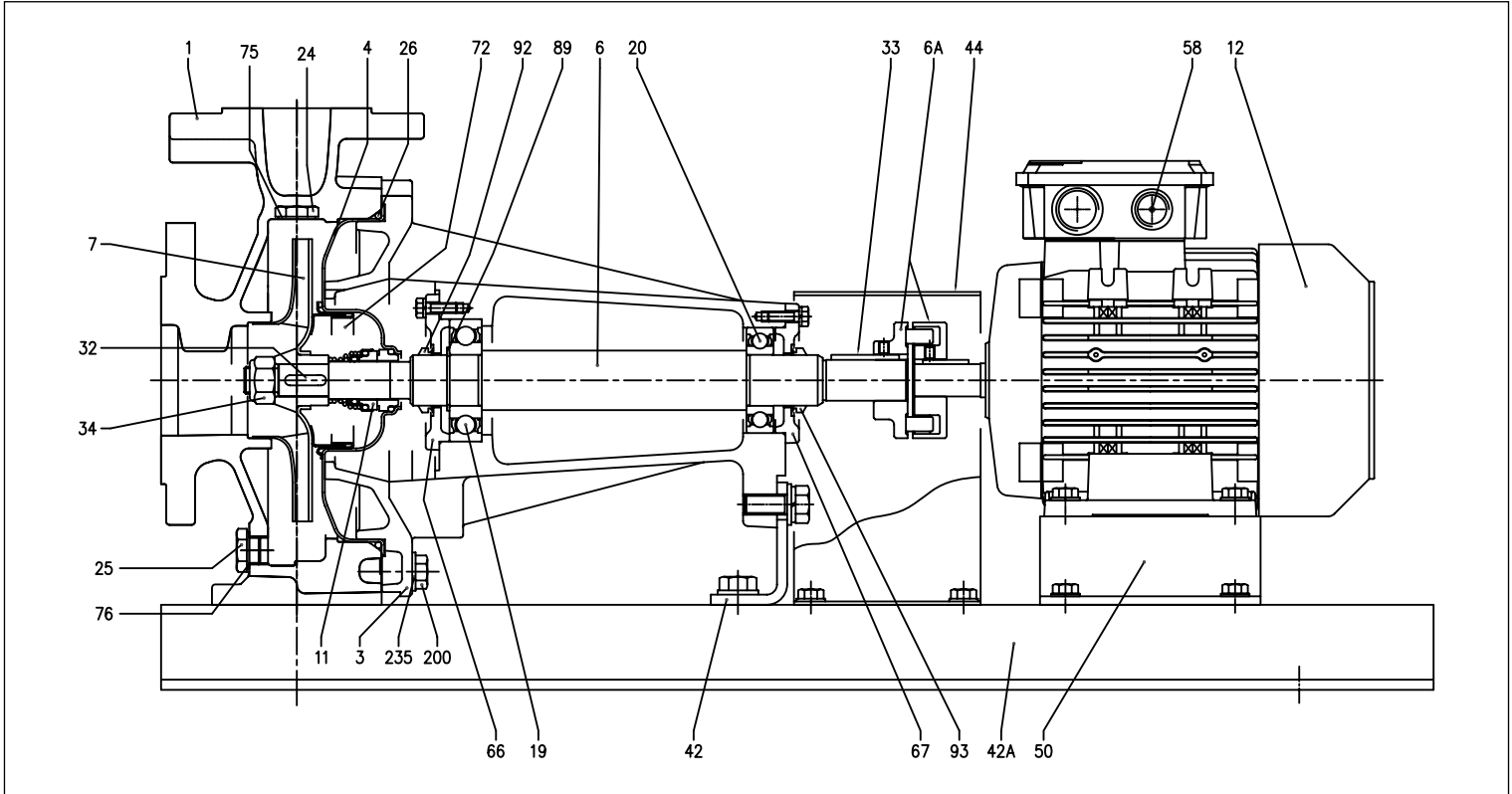
[3]= Only for SERIES 3DS4 32-200, 40-200, 50-160, 50-200

3D SERIES

NORMALISED AND MONOBLOCK CENTRIFUGAL ELECTROPUMPS CONFORMING TO EN 733 (EX DIN 24255)

SECTIONAL VIEW 3DP4 SERIES

4 Poles



MATERIALS TABLE

Ref.	Name	Materials	Ref.	Name	Materials
001	Pump casing	Cast iron EN-GJL-250-EN 1561	042	Pump support	Galvanised Fe 37
003	Motor Bracket	Cast iron EN-GJL-250-EN 1561	042A	Base	Galvanised Fe 37
004	Casing cover	EN 1.4301 (AISI 304)	044	Protection	Galvanised Fe 37
006	Shaft	EN 1.4301 (AISI 304)	050	Motor support	Aluminium / Galvanised steel
006A	Flexible joint	Cast iron EN-GJL-250-EN 1561	058	Cable gland	-
007	Impeller	[1]	066	Bracket cover	Cast iron EN-GJL-250-EN 1561
011	Mechanical seal	Ceramic/Carbon/NBR	067	Bracket cover	Cast iron EN-GJL-250-EN 1561
012	Motor frame	-	072	Casing ring [3]	EN 1.4301 (AISI 304)
019	Bearing	-	075	Washer	Aluminium
020	Bearing	-	076	Washer	Aluminium
024	Plug	Brass	089	Seeger ring	Carbon steel TC 80
025	Plug	Brass	092	Seal ring	-
026	O-Ring	NBR [2]	093	Seal ring	-
032	Key	EN 1.4401 (AISI 316)	200	Screw	Galvanised steel 8.8 class ISO 898-1
033	Key	C40	235	Washer	Galvanised steel
034	Impeller nut	EN 1.4301 (AISI 304)			

[1]= EN 1.4301 (AISI 304) for 3DP4 SERIES models 32, 40, 50; EN 1.4401 (AISI 316) for SERIES 3DP4 65

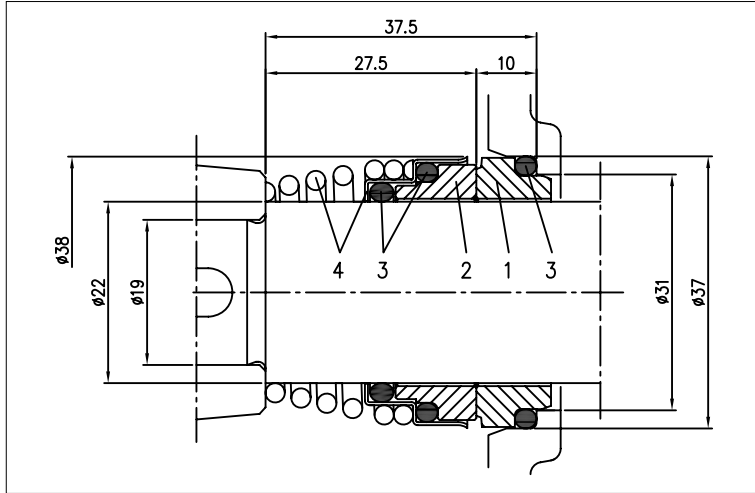
[2]= FKM for H, HS, HW, HSW versions; EPDM for E version

[3]= Only for SERIES 3DP4 32-200, 40-200, 50-160, 50-200

3D SERIES

NORMALISED AND MONOBLOCK CENTRIFUGAL ELECTROPUMPS CONFORMING TO EN 733 (EX DIN 24255)

MECHANICAL SEAL standard version



MATERIALS TABLE

Ref.	Name	Materials
1	Fixed part	Carbon
2	Rotating part	Ceramic
3	Gasket	NBR
4	Frame + spring	EN 1.4401 (AISI 316)

SPECIAL MECHANICAL SEALS (On request)

Name	H Version	HS Version	Materials HW Version	HSW Version	E Version
Fixed part	Carbon	Silicon Carbide	Tungsten Carbide	Tungsten Carbide	Carbon
Rotating part	Ceramic	Silicon Carbide	Tungsten Carbide	Silicon Carbide	Ceramic
Gasket	FKM	FKM	FKM	FKM	EPDM
Frame + spring	EN 1.4401 (AISI 316)	EN 1.4571 (AISI 316Ti)	EN 1.4401 (AISI 316)	EN 1.4401 (AISI 316)	EN 1.4401 (AISI 316)

SPECIAL MECHANICAL SEALS (On request)

Name	U3U3EGG Version	U3CEGG Version	Materials Q1Q1EGG Version	Q1U3EGG Version	Q1AEGG Version
Fixed part	Tungsten Carbide	Tungsten Carbide	Silicon Carbide	Silicon Carbide	Silicon Carbide
Rotating Part	Tungsten Carbide	Special carbon	Silicon Carbide	Tungsten Carbide	Metallised carbon
Elastomers	EPDM	EPDM	EPDM	EPDM	EPDM
Spring	AISI 316	AISI 316	AISI 316	AISI 316	AISI 316

3D SERIES

NORMALISED AND MONOBLOCK CENTRIFUGAL ELECTROPUMPS CONFORMING TO EN 733 (EX DIN 24255)

ELECTRIC DATA TABLE 3D4 SERIES

4 Poles

Model Three phase 230/400V	P ₁		Efficiency	Efficiency(%) Three phase			P ₁ [kW]	Absorbed Current [A] Three phase	
	[HP]	[kW]		50%	η % 75%	100%		230V	400V
3D4 32-125/0.25	0,33	0,25	-	-	-	-	0,55	1,9	1,1
3D4 32-160/0.37R	0,5	0,37	-	-	-	-	0,80	2,6	1,5
3D4 32-160/0.37	0,5	0,37	-	-	-	-	0,80	2,6	1,5
3D4 32-200/0.55R	0,75	0,55	-	-	-	-	0,80	2,6	1,5
3D4 32-200/0.55	0,75	0,55	-	-	-	-	0,80	2,6	1,5
3D4 32-200/0.75	1	0,75	IE3	81,5	83,4	84,1	1,31	4,6	2,7
3D4 40-125/0.37R	0,5	0,37	-	-	-	-	0,55	1,9	1,1
3D4 40-125/0.37	0,5	0,37	-	-	-	-	0,55	1,9	1,1
3D4 40-160/0.55R	0,75	0,55	-	-	-	-	0,80	2,6	1,5
3D4 40-160/0.55	0,75	0,55	-	-	-	-	0,80	2,6	1,5
3D4 40-200/1.1R	1,5	1,1	IE3	81,5	83,4	84,1	1,31	4,6	2,7
3D4 40-200/1.1	1,5	1,1	IE3	81,5	83,4	84,1	1,31	4,6	2,7
3D4 40-200/1.5	2	1,5	IE3	81,1	84,1	85,3	1,76	6,2	3,6
3D4 50-125/0.55R	0,75	0,55	-	-	-	-	0,80	2,6	1,5
3D4 50-125/0.55	0,75	0,55	-	-	-	-	0,80	2,6	1,5
3D4 50-160/1.1R	1,5	1,1	IE3	81,5	83,4	84,1	1,31	4,6	2,7
3D4 50-160/1.1	1,5	1,1	IE3	81,5	83,4	84,1	1,31	4,6	2,7
3D4 50-200/1.5R	2	1,5	IE3	81,1	84,1	85,3	1,76	6,2	3,6
3D4 50-200/1.5	2	1,5	IE3	81,1	84,1	85,3	1,76	6,2	3,6
3D4 50-200/2.2	3	2,2	IE3	86,1	87,0	86,7	2,54	7,8	4,5
3D4 65-125/0.55	0,75	0,55	-	-	-	-	0,80	2,6	1,5
3D4 65-125/0.75	1	0,75	IE3	81,5	83,4	84,1	1,31	4,6	2,7
3D4 65-125/1.1	1,5	1,1	IE3	81,5	83,4	84,1	1,31	4,6	2,7
3D4 65-160/1.1	1,5	1,1	IE3	81,5	83,4	84,1	1,31	4,6	2,7
3D4 65-160/1.5	2	1,5	IE3	81,1	84,1	85,3	1,76	6,2	3,6
3D4 65-160/2.2	3	2,2	IE3	86,1	87,0	86,7	2,54	7,8	4,5
3D4 65-200/2.2R	3	2,2	IE3	86,1	87,0	86,7	2,54	7,8	4,5
3D4 65-200/2.2	3	2,2	IE3	86,1	87,0	86,7	2,54	7,8	4,5
3D4 65-200/3	4	3	IE3	85,7	87,7	87,8	3,42	11,8	6,8

3D SERIES

NORMALISED AND MONOBLOCK CENTRIFUGAL ELECTROPUMPS CONFORMING TO EN 733 (EX DIN 24255)

ELECTRIC DATA TABLE 3DS - 3DP SERIES

4 Poles

3DS4 Three phase 230/400V	Model 3DP4 Three phase 230/400V	Size Motors	P ₁		Efficiency	Efficiency(%) Three phase			P ₁ [kW]	Absorbed Current [A] Three phase	
			[HP]	[kW]		50%	η % 75%	100%		230V	400V
3DS4 32-125/0.25	3DP4 32-125/0.25	71	0,33	0,25	-	55,0	59,0	64,0	0,41	1,6	0,9
3DS4 32-160/0.37R	3DP4 32-160/0.37R	71	0,5	0,37	-	60,0	63,0	67,0	0,56	2,1	1,2
3DS4 32-160/0.37	3DP4 32-160/0.37	71	0,5	0,37	-	60,0	63,0	67,0	0,56	2,1	1,2
3DS4 32-200/0.55R	3DP4 32-200/0.55R	80	0,75	0,55	-	67,0	69,0	70,0	0,80	2,8	1,6
3DS4 32-200/0.55	3DP4 32-200/0.55	80	0,75	0,55	-	67,0	69,0	70,0	0,80	2,8	1,6
3DS4 32-200/0.75	3DP4 32-200/0.75	80	1	0,75	IE3	80,7	81,5	82,5	0,92	3,1	1,8
3DS4 40-125/0.37R	3DP4 40-125/0.37R	71	0,5	0,37	-	60,0	63,0	67,0	0,56	2,1	1,2
3DS4 40-125/0.37	3DP4 40-125/0.37	71	0,5	0,37	-	60,0	63,0	67,0	0,56	2,1	1,2
3DS4 40-160/0.55R	3DP4 40-160/0.55R	80	0,75	0,55	-	67,0	69,0	70,0	0,80	2,8	1,6
3DS4 40-160/0.55	3DP4 40-160/0.55	80	0,75	0,55	-	67,0	69,0	70,0	0,80	2,8	1,6
3DS4 40-200/1.1R	3DP4 40-200/1.1R	90L	1,5	1,1	IE3	83,3	84,3	84,1	1,30	4,3	2,5
3DS4 40-200/1.1	3DP4 40-200/1.1	90L	1,5	1,1	IE3	83,3	84,3	84,1	1,30	4,3	2,5
3DS4 40-200/1.5	3DP4 40-200/1.5	90L	2	1,5	IE3	84,1	85,2	85,3	1,80	6,2	3,6
3DS4 50-125/0.55R	3DP4 50-125/0.55R	80	0,75	0,55	-	67,0	69,0	70,0	0,80	2,8	1,6
3DS4 50-125/0.55	3DP4 50-125/0.55	80	0,75	0,55	-	67,0	69,0	70,0	0,80	2,8	1,6
3DS4 50-160/1.1R	3DP4 50-160/1.1R	90L	1,5	1,1	IE3	83,3	84,3	84,1	1,30	4,3	2,5
3DS4 50-160/1.1	3DP4 50-160/1.1	90L	1,5	1,1	IE3	83,3	84,3	84,1	1,30	4,3	2,5
3DS4 50-200/1.5R	3DP4 50-200/1.5R	90L	2	1,5	IE3	84,1	85,2	85,3	1,80	6,2	3,6
3DS4 50-200/1.5	3DP4 50-200/1.5	90L	2	1,5	IE3	84,1	85,2	85,3	1,80	6,2	3,6
3DS4 50-200/2.2	3DP4 50-200/2.2	100L	3	2,2	IE3	83,2	86,2	86,7	2,58	10,2	5,9
3DS4 65-125/0.55	3DP4 65-125/0.55	80	0,75	0,55	-	67,0	69,0	70,0	0,80	2,8	1,6
3DS4 65-125/0.75	3DP4 65-125/0.75	80	1	0,75	IE3	80,7	81,5	82,5	0,92	3,1	1,8
3DS4 65-125/1.1	3DP4 65-125/1.1	90L	1,5	1,1	IE3	83,3	84,3	84,1	1,30	4,3	2,5
3DS4 65-160/1.1	3DP4 65-160/1.1	90L	1,5	1,1	IE3	83,3	84,3	84,1	1,30	4,3	2,5
3DS4 65-160/1.5	3DP4 65-160/1.5	90L	2	1,5	IE3	84,1	85,2	85,3	1,80	6,2	3,6
3DS4 65-160/2.2	3DP4 65-160/2.2	100L	3	2,2	IE3	83,2	86,2	86,7	2,58	10,2	5,9
3DS4 65-200/2.2R	3DP4 65-200/2.2R	100L	3	2,2	IE3	83,2	86,2	86,7	2,58	10,2	5,9
3DS4 65-200/2.2	3DP4 65-200/2.2	100L	3	2,2	IE3	83,2	86,2	86,7	2,58	10,2	5,9
3DS4 65-200/3	3DP4 65-200/3	100L	4	3	IE3	85,1	87,1	87,7	3,44	11,8	6,8

3D SERIES

NORMALISED AND MONOBLOCK CENTRIFUGAL ELECTROPUMPS CONFORMING TO EN 733 (EX DIN 24255)

NOISE DATA TABLE 3D4 SERIES

4 poles

Model 3D4	P ₂		L _{PA} - dB(A)*
	[HP]	[kW]	
3D4 32-125/0.25	0.33	0.25	<70
3D4 32-160/0.37R	0.5	0.37	
3D4 32-160/0.37	0.5	0.37	
3D4 32-200/0.55R	0.75	0.55	
3D4 32-200/0.55	0.75	0.55	
3D4 32-200/0.75	1	0.75	
3D4 40-125/0.37R	0.5	0.37	
3D4 40-125/0.37	0.5	0.37	
3D4 40-160/0.55R	0.75	0.55	
3D4 40-160/0.55	0.75	0.55	
3D4 40-200/1.10R	1.5	1.1	
3D4 40-200/1.10	1.5	1.1	
3D4 40-200/1.50	2	1.5	
3D4 50-125/0.55R	0.75	0.55	
3D4 50-125/0.55	0.75	0.55	
3D4 50-160/1.10R	1.5	1.1	
3D4 50-160/1.10	1.5	1.1	
3D4 50-200/1.50R	2	1.5	
3D4 50-200/1.50	2	1.5	
3D4 50-200/2.20	3	2.20	
3D4 65-125/0.55	0.75	0.55	
3D4 65-125/0.75	1	0.75	
3D4 65-125/1.10	1.5	1.1	
3D4 65-160/1.10	1.5	1.1	
3D4 65-160/1.50	2	1.5	
3D4 65-160/2.20	3	2.20	
3D4 65-200/2.20R	3	2.20	
3D4 65-200/2.20	3	2.20	
3D4 65-200/3.00	4	3	

NOISE DATA TABLE 3DS4 - 3DP4 SERIES

4 poles

Model		P ₂		L _{PA} - dB(A)*
3DS4	3DP4	[HP]	[kW]	
3DS4 32-125/0.25	3DP4 32-125/0.25	0.33	0.25	<70
3DS4 32-160/0.37R	3DP4 32-160/0.37R	0.5	0.37	
3DS4 32-160/0.37	3DP4 32-160/0.37	0.5	0.37	
3DS4 32-200/0.55R	3DP4 32-200/0.55R	0.75	0.55	
3DS4 32-200/0.55	3DP4 32-200/0.55	0.75	0.55	
3DS4 32-200/0.75	3DP4 32-200/0.75	1	0.75	
3DS4 40-125/0.37R	3DP4 40-125/0.37R	0.5	0.37	
3DS4 40-125/0.37	3DP4 40-125/0.37	0.5	0.37	
3DS4 40-160/0.55R	3DP4 40-160/0.55R	0.75	0.55	
3DS4 40-160/0.55	3DP4 40-160/0.55	0.75	0.55	
3DS4 40-200/1.10R	3DP4 40-200/1.10R	1.5	1.1	
3DS4 40-200/1.10	3DP4 40-200/1.10	1.5	1.1	
3DS4 40-200/1.50	3DP4 40-200/1.50	2	1.5	
3DS4 50-125/0.55R	3DP4 50-125/0.55R	0.75	0.55	
3DS4 50-125/0.55	3DP4 50-125/0.55	0.75	0.55	
3DS4 50-160/1.10R	3DP4 50-160/1.10R	1.5	1.1	
3DS4 50-160/1.10	3DP4 50-160/1.10	1.5	1.1	
3DS4 50-200/1.50R	3DP4 50-200/1.50R	2	1.5	
3DS4 50-200/1.50	3DP4 50-200/1.50	2	1.5	
3DS4 50-200/2.20	3DP4 50-200/2.20	3	2.20	
3DS4 65-125/0.55	3DP4 65-125/0.55	0.75	0.55	
3DS4 65-125/0.75	3DP4 65-125/0.75	1	0.75	
3DS4 65-125/1.10	3DP4 65-125/1.10	1.5	1.1	
3DS4 65-160/1.10	3DP4 65-160/1.10	1.5	1.1	
3DS4 65-160/1.50	3DP4 65-160/1.50	2	1.5	
3DS4 65-160/2.20	3DP4 65-160/2.20	3	2.20	
3DS4 65-200/2.20R	3DP4 65-200/2.20R	3	2.20	
3DS4 65-200/2.20	3DP4 65-200/2.20	3	2.20	
3DS4 65-200/3.00	3DP4 65-200/3.00	4	3	

* Mean value of several measurements at 1 m distance around the pump.
Tolerance ± 2.5 dB.

* Mean value of several measurements at 1 m distance around the pump.
Tolerance ± 2.5 dB.